



1988 Wall-Mount Parts List

Pink Pages

MAC WALL-MOUNT AIR CONDITIONERS

MAC30A MAC30A-A05 MAC30A-A10 MAC30A-A15 MAC30A-A00/C MAC30A-A05/C
MAC30A-A10/C MAC30A-A15/C MAC36A MAC36A-A05 MAC36A-A10 MAC36A-A15
MAC36A-A00/C MAC36A-A05/C MAC36A-A10/C MAC36A-A15/C ---A1

WA WALL-MOUNT AIR CONDITIONERS

20WA4-A00N 20WA4-A05N 20WA4-A08N 20WA4-A10N 20WA4-A00C 20WA4-A05C 20WA4-A08C
20WA4-A10C ---B1

24WA6-A00N 24WA6-A05N 24WA6-A08N 24WA6-A10N 24WA6-A00C 24WA6-A05C 24WA6-A10C
24WA6-A00H 24WA6-A05H 24WA6-A08H 24WA6-A10H ---C1-C2

30WA6-A00N 30WA6-A05N 30WA6-A10N 30WA6-A15N 30WA6-A00C 30WA6-A05C 30WA6-A10C
30WA6-A15C 30WA6-A00T 30WA6-A05T 30WA6-A10T 30WA6-A15T ---D1

30WA6-B00N 30WA6-B09N 30WA6-B00C 30WA6-B09C 30WA6-C00N 30WA6-C09N 30WA6-C00C
30WA6-C09C ---D2

36WA6-A00N 36WA6-A05N 36WA6-A08N 36WA6-A10N 36WA6-A15N 36WA6-A00C 36WA6-A05C
36WA6-A08C 36WA6-A10C 36WA6-A15C 36WA6-A00T 36WA6-A05T 36WA6-A10T 36WA6-A15T
36WA6-A00H 36WA6-A10H ---E1

36WA6-B00N 36WA6-B06N 36WA6-B09N 36WA6-B12N 36WA6-B15N 36WA6-B00C 36WA6-B06C
36WA6-B09C 36WA6-B12C 36WA6-B15C 36WA6-B00T 36WA6-B09T 36WA6-B15T 36WA6-B00H
36WA6-B09H ---E2

36WA6-C00N 36WA6-C06N 36WA6-C09N 36WA6-C12N 36WA6-C15N 36WA6-C00C 36WA6-C06C
36WA6-C09C 36WA6-C12C 36WA6-C15C 36WA6-C00H 36WA6-C12H ---E3

SUPPLEMENTAL PARTS FOR HOT-GAS BYPASS ---E4

42WA-A00N 42WA-A10N 42WA-A15N 42WA-A20N 42WA-A00C 42WA-A10C 42WA-A15C
42WA-A20C ---F1

42WA-B00N 42WA-B09N 42WA-B15N 42WA-B18N 42WA-B00C 42WA-B09C 42WA-B15C
42WA-B18C ---F2

42WA-C00N 42WA-C09N 42WA-C15N 42WA-C18N 42WA-C00C 42WA-C09C 42WA-C15C
42WA-C18C ---F3

49WA-A00N 49WA-A10N 49WA-A15N 49WA-A20N 49WA-A00C 49WA-A10C 49WA-A15C
49WA-A20C 49WA-A00H 49WA-A10H 49WA-A20H ---G1



1988 Wall-Mount Parts List

Pink Pages

WA WALL-MOUNT AIR CONDITIONERS CONTINUED

49WA-B00N 49WA-B09N 49WA-B15N 49WA-B18N 49WA-B00C 49WA-B09C 49WA-B15C
49WA-B18C 49WA-B00H 49WA-B09H 49WA-B18H ---G2

49WA-C00N 49WA-C09N 49WA-C15N 49WA-C18N 49WA-C00C 49WA-C09C 49WA-C15C
49WA-C18C 49WA-C00H 49WA-C09H 49WA-C18H ---G3

SUPPLEMENTAL PARTS FOR HOT-GAS BYPASS ---G4

60WA-A00N 60WA-A10N 60WA-A15N 60WA-A20N 60WA-A00C 60WA-A10C 60WA-A15C
60WA-A20C 60WA-A00H 60WA-A10H 60WA-A20H ---H1

60WA-B00N 60WA-B09N 60WA-B15N 60WA-B18N 60WA-B00C 60WA-B09C 60WA-B15C
60WA-B18C 60WA-B00H 60WA-B09H 60WA-B18H ---H2

60WA-C00N 60WA-C09N 60WA-C15N 60WA-C18N 60WA-C00C 60WA-C09C 60WA-C15C
60WA-C18C 60WA-C00H 60WA-C09H 60WA-C18H ---H3

SUPPLEMENTAL PARTS FOR HOT-GAS BYPASS ---H4

MHP WALL-MOUNTED HEAT PUMPS

MHP30A MHP30A-A05 MHP30A-A10 MHP30A-A00/C MHP30A-A05/C MHP30A-A10/C
MHP36A MHP36A-A05 MHP36A-A10 MHP36A-A00/C MHP36A-A05/C MHP36A-A10/C ---J1-J2

WH WALL-MOUNTED HEAT PUMPS

18WH6-A00N 18WH6-A04N 18WH6-A08N 18WH6-A00C 18WH6-A04C 18WH6-A08C 24WH6-A00N
24WH6-A04N 24WH6-A08N 24WH6-A00C 24WH6-A04C 24WH6-A08C 24WH6-C00N
24WH6-C06N ---K1-K2

24WH6-A04CD002 24WH6-A08CD002 ---K3

30WH6-A00N 30WH6-A05N 30WH6-A10N 30WH6-A15N 30WH6-A00C 30WH6-A05C 30WH6-A10C
30WH6-A15C 30WH6-A00T 30WH6-A05T 30WH6-A10T 30WH6-A15T ---L1-L2

30WH6-A05CD002 30WH6-A10CD002 ---L3

30WH6-B00N 30WH6-B09N 30WH6-B00C 30WH6-B09C 30WH6-B00T 30WH6-B09T 30WH6-C00N
30WH6-C09N 30WH6-C00C 30WH6-C09C ---M1-M2

36WH7-A00N 36WH7-A05N 36WH7-A10N 36WH7-A15N 36WH7-A00C 36WH7-A05C 36WH7-A10C
36WH7-A15C 36WH7-A00T 36WH7-A05T 36WH7-A10T 36WH7-A15T ---N1-N2



1988 Wall-Mount Parts List

Pink Pages

WH WALL-MOUNTED HEAT PUMPS CONTINUED

36WH7-B00N 36WH7-B06N 36WH7-B09N 36WH7-B12N 36WH7-B15N 36WH7-B00C 36WH7-B06C
36WH7-B09C 36WH7-B15C 36WH7-B00T 36WH7-B06T 36WH7-B09T ---N3

36WH7-C00N 36WH7-C06N 36WH7-C09N 36WH7-C12N 36WH7-C15N 36WH7-C00C 36WH7-C06C
36WH7-C09C 36WH7-C12C 36WH7-C15C ---N4

36WH7-A05CD002 36WH7-A10CD002 ---N5

42WH-A00N 42WH-A10N 42WH-A15N 42WH-A20N 42WH-A00C 42WH-A10C 42WH-A15C
42WH-A20C ---O1-O2

42WH-B00N 42WH-B09N 42WH-B15N 42WH-B18N 42WH-B00C 42WH-B09C 42WH-B15C
42WH-B18C 42WH-C00N 42WH-C09N 42WH-C15N 42WH-C00C 42WH-C09C 42WH-C15C ---O3-O4

48WH5-A00N 48WH5-A10N 48WH5-A15N 48WH5-A20N 48WH5-A00C 48WH5-A10C 48WH5-A15C
48WH5-A20C ---P1-P2

48WH5-B00N 48WH5-B09N 48WH5-B15N 48WH5-B18N 48WH5-B00C 48WH5-B09C 48WH5-B15C
48WH5-B18C 48WH5-C00N 48WH5-C09N 48WH5-C15N 48WH5-C00C 48WH5-C09C
48WH5-C15C ---P3-P4

60WH-A00N 60WH-A10N 60WH-A15N 60WH-A20N 60WH-A00C 60WH-A10C 60WH-A15C
60WH-A20C ---Q1-Q2

60WH-B00N 60WH-B09N 60WH-B15N 60WH-B18N 60WH-B00C 60WH-B09C 60WH-B15C
60WH-B18C 60WH-C00N 60WH-C09N 60WH-C15N 60WH-C00C 60WH-C09C 60WH-C15C ---Q3-Q4

ECONOMIZERS

ECW-2A ECW-3A ECW-4A ---R1

WAG PACKAGE GAS / ELECTRIC UNITS

WAG30A-A54C WAG36A-A54C WAG36A-B54C WAG36A-C54C WAG40A-A54C WAG40A-B54C
WAG40A-C54C ---S1-S6



PARTS LIST
WALL-MOUNT
AIR CONDITIONERS
and
HEAT PUMPS

EFFECTIVE JANUARY, 1988

IMPORTANT

RETAIN OBSOLETE PARTS LISTS FOR REFERENCE PURPOSES. IT IS ESSENTIAL TO USE COMPLETE MODEL NUMBER AND MATCHING PARTS LIST TO HELP ASSURE THE CORRECT PART IS SHIPPED.

IMPORTANT

PLEASE SUPPLY COMPLETE MODEL NUMBER AND SERIAL NUMBER WHEN ORDERING PARTS.

THIS HELPS ASSURE THAT THE CORRECT PARTS ARE SHIPPED AND IS ALSO NECESSARY IF THERE IS WARRANTY COVERAGE INVOLVED.

BARD MANUFACTURING CO.

P. O. BOX 607

BRYAN, OHIO 43506

419-636-1194

PARTS LIST
SINGLE PACKAGE AIR CONDITIONERS

1/88

Part No.	Description	24WA6-A00N	24WA6-A05N	24WA6-A08N	24WA6-A10N	24WA6-A00C	24WA6-A05C	24WA6-A08C	24WA6-A10C	24WA6-A00H	24WA6-A05H	24WA6-A08H	24WA6-A10H
5152-030	Blower Housing 9-7	x	x	x	x	x	x	x	x	x	x	x	x
5152-028	Blower Wheel 9-7	x	x	x	x	x	x	x	x	x	x	x	x
5152-029	Blower Wheel 9-7	x	x	x	x	x	x	x	x	x	x	x	x
8552-027	Capacitor 25/370V	x	x	x	x	x	x	x	x	x	x	x	x
8552-002	Capacitor 5/370V	x	x	x	x	x	x	x	x	x	x	x	x
8552-004	Capacitor 7.5/370V	x	x	x	x	x	x	x	x	x	x	x	x
5811-011	Capillary Tube - Cool	2	2	2	2	2	2	2	2				
8000-098	Compressor H23B203ABCA	x	x	x	x	x	x	x	x	x	x	x	x
5051-036	Condenser Coil	x	x	x	x	x	x	x	x	x	x	x	x
8401-007	Contactora - Comp. 25A	x	x	x	x	x	x	x	x	x	x	x	x
8401-006	Contactora - Heater 2P18		1	1	1		1	1	1		1	1	1
5060-048	Evaporator Coil	x	x	x	x	x	x	x	x	x	x	x	x
5151-033	Fan Blade F10H8.7	x	x	x	x	x	x	x	x	x	x	x	x
7004-006	Filter 14x25	x	x	x	x	x	x	x	x	x	x	x	x
8604-042	Heat Strip 5kw			1			1				1		
8604-043	Heat Strip 8kw				1			1				1	
8604-044	Heat Strip 10kw								1				1
8402-048	Limit Switch 160°		x	x	x		x	x	x		x	x	x
8102-009	Motor - Blower 1/6 hp	x	x	x	x	x	x	x	x	x	x	x	x
8103-016	Motor - Fan 1/5 hp	x	x	x	x	x	x	x	x	x	x	x	x
5451-011	Motor Mounting Parts	x	x	x	x	x	x	x	x	x	x	x	x
8200-023	Motor Mount - Fan	x	x	x	x	x	x	x	x	x	x	x	x
8201-009	Relay - Blower	x	x	x	x	x	x	x	x	x	x	x	x
8200-031	Motor Mount - Blower	x	x	x	x	x	x	x	x	x	x	x	x
5210-004	Strainer	x	x	x	x	x	x	x	x	x	x	x	x
8607-018	Terminal Board 24V	x	x	x	x	x	x	x	x	x	x	x	x
8607-013	Terminal Block 230V		x	x	x						x	x	x
8402-030	Thermal Cut-off		1	2	2		1	2	2		1	2	2
8407-034	Transformer 40VA	x	x	x	x	x	x	x	x	x	x	x	x
8615-013	Circuit Breaker						1						
8615-010	Circuit Breaker							1					
8615-016	Circuit Breaker								1				
8615-012	Circuit Breaker					1							
4007-110	Wire Diagram	x								x			
4007-111	Wire Diagram					x							
4007-120	Wire Diagram		x								x		
4007-121	Wire Diagram						x						
4007-130	Wire Diagram			x	x							x	x
4007-131	Wire Diagram							x	x				

SUPPLEMENTAL PARTS LIST FOR
HOT GAS BYPASS UNITS

1/88

Part No.	Description	24WA
5651-038	TXV Expansion Valve	x
5651-018	Distributor	x
5651-064	Hot Gas Bypass Valve	x
5651-015	Head Pressure Control Valve	x
5651-016	Pressure Differential Valve	x
5203-004	Receiver	x
5651-051	Manual Shutoff Valve	x
5201-001	Filter Drier	x
5202-003	Accumulator	x
5201-014	Sight Glass	x

PARTS LIST
SINGLE PACKAGE AIR CONDITIONERS

1/88

Part No.	Description	30WA6-A00N	30WA6-A05N	30WA6-A10N	30WA6-A15N	30WA6-A00C	30WA6-A05C	30WA6-A10C	30WA6-A15C	30WA6-A00T	30WA6-A05T	30WA6-A10T	30WA6-A15T
5152-030	Blower Housing 9-7	x	x	x	x	x	x	x	x	x	x	x	x
5152-028	Blower Wheel 9-7	x	x	x	x	x	x	x	x	x	x	x	x
5152-029	Blower Wheel 9-7	x	x	x	x	x	x	x	x	x	x	x	x
8552-032	Capacitor 35/370V	x	x	x	x	x	x	x	x	x	x	x	x
8552-002	Capacitor 5/370V	2	2	2	2	2	2	2	2	2	2	2	2
5811-008	Capillary Tube - Cool	2	2	2	2	2	2	2	2	2	2	2	2
8000-099	Compressor H23B283ABCA	x	x	x	x	x	x	x	x	x	x	x	x
5051-035	Condenser Coil	x	x	x	x	x	x	x	x	x	x	x	x
8401-007	Contactora - 1P25A	x	x	x	x	x	x	x	x	x	x	x	x
8401-006	Contactora - Heat 2P18A		1	1	2		1	1	2		1	1	2
8615-009	Circuit Breaker					1	1						
8615-016	Circuit Breaker							1	1				
8615-013	Circuit Breaker								1				
5060-037	Evaporator Coil	x	x	x	x	x	x	x	x	x	x	x	x
5151-032	Fan Blade F10H9.5-2022 ccw	x	x	x	x	x	x	x	x	x	x	x	x
7004-008	Filter 15x30-5/8	x	x	x	x	x	x	x	x	x	x	x	x
8614-006	Fuse - Heater 30A				2								2
8614-022	Fuse - Compressor 60A				2								2
8614-017	Fuse Block 15kw				1								1
8604-042	Heat Strip 5kw		1				1				1		
8604-044	Heat Strip 10kw			1				1				1	
8604-047	Heat Strip 15kw				1				1				1
8402-031	Limit Switch 150°		x	x	x		x	x	x		x	x	x
8105-029	Motor - Blower 1/3 hp	x	x	x	x	x	x	x	x	x	x	x	x
8200-031	Motor Mount - Blower	x	x	x	x	x	x	x	x	x	x	x	x
8200-001	Motor Mount - Fan	x	x	x	x	x	x	x	x	x	x	x	x
8103-016	Motor - Fan 1/5 hp	x	x	x	x	x	x	x	x	x	x	x	x
8201-009	Relay - Blower	x	x	x	x	x	x	x	x	x	x	x	x
5210-004	Strainer	x	x	x	x	x	x	x	x	x	x	x	x
8607-018	Terminal Board 24V	x	x	x	x	x	x	x	x	x	x	x	x
8607-013	Terminal Block 230V 2 pole		x	x							x	x	
8402-030	Thermal Cut-off										1	2	3
8407-034	Transformer	x	x	x	x	x	x	x	x	x	x	x	x
8402-032	Thermal Cutoff		1	2	3		1	2	3				
4008-110	Wiring Diagram	x								x			
4008-112	Wiring Diagram					x							
4008-120	Wiring Diagram		x								x		
4008-122	Wiring Diagram						x						
4008-130	Wiring Diagram			x								x	
4008-132	Wiring Diagram							x					
4008-140	Wiring Diagram				x								x
4008-142	Wiring Diagram								x				

PARTS LIST
SINGLE PACKAGE AIR CONDITIONERS

1/88

Part No.	Description	36WA6-A00N	36WA6-A05N	36WA6-A08N	36WA6-A10N	36WA6-A15N	36WA6-A00C	36WA6-A05C	36WA6-A08C	36WA6-A10C	36WA6-A15C	36WA6-A00T	36WA6-A05T	36WA6-A10T	36WA6-A15T	36WA6-A00H	36WA6-A10H
5152-030	Blower Housing 9-7	x	x	x	x	x	x	x	x	x	x	x	x	x	x	x	x
5152-028	Blower Wheel 9-7	x	x	x	x	x	x	x	x	x	x	x	x	x	x	x	x
5152-029	Blower Wheel 9-7	x	x	x	x	x	x	x	x	x	x	x	x	x	x	x	x
8552-028	Capacitor 35/440V	x	x	x	x	x	x	x	x	x	x	x	x	x	x	x	x
8552-002	Capacitor 5/370V	2	2	2	2	2	2	2	2	2	2	2	2	2	2	2	2
5811-033	Capillary Tube - Cool	2	2	2	2	2	2	2	2	2	2	2	2	2	2		
8000-058	Compressor CRJ3-0300	x	x	x	x	x	x	x	x	x	x	x	x	x	x	x	x
5051-035	Condenser Coil	x	x	x	x	x	x	x	x	x	x	x	x	x	x	x	x
8401-007	Contactors - 1P25A	x	x	x	x	x	x	x	x	x	x	x	x	x	x	x	x
8401-006	Contactors-Heat 2P18A		1	1	1	2		1	1	1	2		1	1	2		1
8615-010	Circuit Breaker						1	1	1								
8615-016	Circuit Breaker									1	1						
8615-013	Circuit Breaker										1						
5060-037	Evaporator Coil	x	x	x	x	x	x	x	x	x	x	x	x	x	x	x	x
5151-032	Fan Blade F10H 9.5	x	x	x	x	x	x	x	x	x	x	x	x	x	x	x	x
7004-008	Filter 15x30-5/8	x	x	x	x	x	x	x	x	x	x	x	x	x	x	x	x
8614-006	Fuse - Heater 30A					2									2		
8614-022	Fuse - Comp. 60A					2									2		
8614-017	Fuse Block 15kw					1									1		
8604-042	Heat Strip 5kw		1					1					1				
8604-044	Heat Strip 10kw				1					1				1			1
8604-047	Heat Strip 15kw					1					1				1		
8604-043	Heat Strip 8kw			1					1								
8402-031	Limit Switch 155°		x	x	x	x		x	x	x	x		x	x	x		x
8105-029	Motor - Blower 1/3 hp	x	x	x	x	x	x	x	x	x	x	x	x	x	x	x	x
8103-019	Motor - Fan 1/5 hp	x	x	x	x	x	x	x	x	x	x	x	x	x	x	x	x
8200-001	Motor Mount - Fan	x	x	x	x	x	x	x	x	x	x	x	x	x	x	x	x
8200-031	Motor Mount - Blower	x	x	x	x	x	x	x	x	x	x	x	x	x	x	x	x
8201-009	Relay - Blower	x	x	x	x	x	x	x	x	x	x	x	x	x	x	x	x
5210-004	Strainer	x	x	x	x	x	x	x	x	x	x	x	x	x	x	x	x
8607-018	Terminal Board 24V	x	x	x	x	x	x	x	x	x	x	x	x	x	x	x	x
8607-013	Terminal Block 230V		x	x	x								x	x			x
8402-030	Thermal Cutoff												1	2	3		
8402-032	Thermal Cutoff		1	2	2	3		1	2	2	3						2
8407-034	Transformer	x	x	x	x	x	x	x	x	x	x	x	x	x	x	x	x
4009-110	Wiring Diagram	x										x				x	
4009-111	Wiring Diagram						x										
4009-120	Wiring Diagram		x										x				
4009-121	Wiring Diagram							x									
4009-130	Wiring Diagram			x	x									x			x
4009-131	Wiring Diagram								x	x							
4009-140	Wiring Diagram					x									x		
4009-141	Wiring Diagram										x						

PARTS LIST
SINGLE PACKAGE AIR CONDITIONERS

1/88

Part No.	Description	36WA6-B00N	36WA6-B06N	36WA6-B09N	36WA6-B12N	36WA6-B15N	36WA6-B00C	36WA6-B06C	36WA6-B09C	36WA6-B12C	36WA6-B15C	36WA6-B00T	36WA6-B09T	36WA6-B15T	36WA6-B00H	36WA6-B09H
5152-030	Blower Housing 9-7	x	x	x	x	x	x	x	x	x	x	x	x	x	x	x
5152-028	Blower Wheel 9-7	x	x	x	x	x	x	x	x	x	x	x	x	x	x	x
5152-029	Blower Wheel 9-7	x	x	x	x	x	x	x	x	x	x	x	x	x	x	x
8552-002	Capacitor 5/370V	2	2	2	2	2	2	2	2	2	2	2	2	2	2	2
5811-033	Capillary Tube - Cool	2	2	2	2	2	2	2	2	2	2	2	2	2		
8000-059	Compressor CRJ3-0300-TF5	x	x	x	x	x	x	x	x	x	x	x	x	x	x	x
5051-035	Condenser Coil	x	x	x	x	x	x	x	x	x	x	x	x	x	x	x
8401-002	Contactora - 3P25A	x	x	x	x	x	x	x	x	x	x	x	x	x	x	x
8401-006	Contactora - Heat 2P18A		1	1	2	2		1	1	2	2		1	2		1
8615-019	Circuit Breaker						1	1	1							
8615-020	Circuit Breaker									1						
8615-007	Circuit Breaker										1					
5060-037	Evaporator Coil	x	x	x	x	x	x	x	x	x	x	x	x	x	x	x
5151-032	Fan Blade F10H9.5-2022 ccw	x	x	x	x	x	x	x	x	x	x	x	x	x	x	x
7004-008	Filter 15x30-5/8	x	x	x	x	x	x	x	x	x	x	x	x	x	x	x
8604-049	Heat Strip 6kw		1					1								
8604-048	Heat Strip 9kw			1					1				1			
8604-046	Heat Strip 12kw				1					1						
8604-047	Heat Strip 15kw					1					1			1		
8402-031	Limit Switch 155°		x	x	x	x		x	x	x	x		x	x		x
8105-029	Motor - Blower 1/3 hp	x	x	x	x	x	x	x	x	x	x	x	x	x	x	x
8103-019	Motor - Fan 1/5 hp	x	x	x	x	x	x	x	x	x	x	x	x	x	x	x
8200-001	Motor Mount - Fan	x	x	x	x	x	x	x	x	x	x	x	x	x	x	x
8200-031	Motor Mount - Blower	x	x	x	x	x	x	x	x	x	x	x	x	x	x	x
8201-009	Relay - Blower	x	x	x	x	x	x	x	x	x	x	x	x	x	x	x
5210-004	Strainer	x	x	x	x	x	x	x	x	x	x	x	x	x		
8607-018	Terminal Board 24V	x	x	x	x	x	x	x	x	x	x	x	x	x	x	x
8607-014	Terminal Block 3 pole	x	x	x	x	x						x	x	x	x	x
8402-032	Thermal Cutoff		2	2	3	3		2	2	3	3					2
8402-030	Thermal Cutoff												2	3		
8407-034	Transformer	x	x	x	x	x	x	x	x	x	x	x	x	x	x	x
4009-210	Wiring Diagram	x										x			x	
4009-211	Wiring Diagram						x									
4009-220	Wiring Diagram		x	x									x			x
4009-221	Wiring Diagram							x	x							
4009-230	Wiring Diagram				x	x								x		
4009-231	Wiring Diagram									x	x					

PARTS LIST
SINGLE PACKAGE AIR CONDITIONERS

1/88

Part No.	Description	36WA6-C00N	36WA6-C06N	36WA6-C09N	36WA6-C12N	36WA6-C15N	36WA6-C00C	36WA6-C06C	36WA6-C09C	36WA6-C12C	36WA6-C15C	36WA6-C00H	36WA6-C12H
5152-030	Blower Housing	x	x	x	x	x	x	x	x	x	x	x	x
5152-028	Blower Wheel 9-7	x	x	x	x	x	x	x	x	x	x	x	x
5152-029	Blower Wheel 9-7	x	x	x	x	x	x	x	x	x	x	x	x
8552-002	Capacitor 5/370V	2	2	2	2	2	2	2	2	2	2	2	2
5811-033	Capillary Tube - Cool	2	2	2	2	2	2	2	2	2	2		
8000-060	Compressor CRJ3-0300	x	x	x	x	x	x	x	x	x	x	x	x
5051-035	Condenser Coil	x	x	x	x	x	x	x	x	x	x	x	x
8401-002	Contactator - 3P25A	1	2	2	2	2	1	2	2	2	2	1	2
8615-023	Circuit Breaker						1	1	1				
8615-024	Circuit Breaker									1			
8615-025	Circuit Breaker										1		
5060-037	Evaporator Coil	x	x	x	x	x	x	x	x	x	x	x	x
5151-032	Fan Blade F10H9.5-2022	x	x	x	x	x	x	x	x	x	x	x	x
7004-008	Filter 15x30-5/8	x	x	x	x	x	x	x	x	x	x	x	x
8604-079	Heat Strip 6kw		1					1					
8604-072	Heat Strip 9kw			1					1				
8604-051	Heat Strip 12kw				1					1			1
8604-052	Heat Strip 15kw					1					1		
8402-031	Limit Switch 155°		x	x	x	x		x	x	x	x		x
8105-033	Motor - Blower 1/3 hp	x	x	x	x	x	x	x	x	x	x	x	x
8103-014	Motor - Fan 1/5 hp	x	x	x	x	x	x	x	x	x	x	x	x
8200-001	Motor Mount - Fan	x	x	x	x	x	x	x	x	x	x	x	x
8200-031	Motor Mount - Blower	x	x	x	x	x	x	x	x	x	x	x	x
8201-032	Relay - Blower	x	x	x	x	x	x	x	x	x	x	x	x
8607-015	Phenolic Insulator	x	x	x	x	x						x	x
5210-004	Strainer	x	x	x	x	x	x	x	x	x	x	x	x
8607-018	Terminal Board 24V	x	x	x	x	x	x	x	x	x	x	x	x
8607-017	Terminal Block 230V	x	x	x	x	x	x	x	x	x	x	x	x
8607-014	Terminal Block 3 pole	x	x	x	x	x						x	x
8402-032	Thermal Cutoff		2	2	3	3		2	2	3	3		3
8407-027	Transformer	x	x	x	x	x	x	x	x	x	x	x	x
4009-310	Wiring Diagram	x										x	
4009-311	Wiring Diagram						x						
4009-320	Wiring Diagram		x	x									
4009-321	Wiring Diagram							x	x				
4009-330	Wiring Diagram				x	x							x
4009-331	Wiring Diagram									x	x		

SUPPLEMENTAL PARTS LIST FOR
HOT GAS BYPASS UNITS

1/88

Part No.	Description	36WA
5651-039	TXV Expansion Valve	x
5651-026	Distributor	x
5651-064	Hot Gas Bypass Valve	x
5651-015	Head Pressure Control Valve	x
5651-016	Pressure Differential Valve	x
5203-004	Receiver	x
5651-051	Manual Shutoff Valve	x
5201-001	Filter Drier	x
5202-004	Accumulator	x
5201-014	Sight Glass	x

PARTS LIST
SINGLE PACKAGE AIR CONDITIONERS

1 / 88

Part No.	Description	42WA-A00N	42WA-A10N	42WA-A15N	42WA-A20N	42WA-A00C	42WA-A10C	42WA-A15C	42WA-A20C
*	Blower Housing	X	X	X	X	X	X	X	X
5152-011	Blower Wheel DD10-8A	X	X	X	X	X	X	X	X
5152-012	Blower Wheel DD10-8A	X	X	X	X	X	X	X	X
8552-028	Capacitor - Compressor 35/440V	X	X	X	X	X	X	X	X
8552-005	Capacitor - Blower 10/370V	X	X	X	X	X	X	X	X
8552-026	Capacitor - Fan 15/370V	X	X	X	X	X	X	X	X
5811-021	Capillary Tube - Cool	2	2	2	2	2	2	2	2
8000-058	Compressor CRJ3-0300	X	X	X	X	X	X	X	X
5051-027	Condenser Coil	X	X	X	X	X	X	X	X
8401-003	Contactora - Compressor 1P30A	X	X	X	X	X	X	X	X
8401-016	Contactora - 1P35A		1	2	2		1	2	2
8615-015	Circuit Breaker					1			
8615-016	Circuit Breaker						1	1	2
8615-013	Circuit Breaker							1	
5151-027	Fan Blade B2430-4-ccw	X	X	X	X	X	X	X	X
7004-016	Filter 20x30	X	X	X	X	X	X	X	X
8614-022	Fuse 60A			2	2				
8614-006	Fuse 30A			2					
8614-007	Fuse 60A				2				
8614-017	Fuse Block 15kw			X					
8614-018	Fuse Block 20kw				X				
8604-044	Heat Strip 10kw		1		2		1		2
8604-047	Heat Strip 15kw			1				1	
8402-047	Limit Switch L180-7		1	1	1		1	1	1
8106-023	Motor - Blower 1/2 hp	X	X	X	X	X	X	X	X
8105-021	Motor - Fan 1/3 hp	X	X	X	X	X	X	X	X
8201-009	Relay - Blower	X	X	X	X	X	X	X	X
8200-004	Motor Mount - Fan	X	X	X	X	X	X	X	X
5210-005	Strainer	X	X	X	X	X	X	X	X
8607-018	Terminal Board 24V	X	X	X	X	X	X	X	X
8607-013	Terminal Block 230V	X	X						
8402-032	Thermal Cutoff		2	3	4		2	3	4
8407-034	Transformer 40VA	X	X	X	X	X	X	X	X
4010-110	Wiring Diagram	X							
4010-111	Wiring Diagram					X			
4010-130	Wiring Diagram		X						
4010-131	Wiring Diagram						X		
4010-140	Wiring Diagram			X					
4010-141	Wiring Diagram							X	
4010-150	Wiring Diagram				X				
4010-151	Wiring Diagram								X
5060-025	Evaporator Coil	X	X	X	X	X	X	X	X

*Please order by model number.

PARTS LIST
SINGLE PACKAGE AIR CONDITIONERS

1/88

Part No.	Description	42WA-B00N	42WA-B09N	42WA-B15N	42WA-B18N	42WA-B00C	42WA-B09C	42WA-B15C	42WA-B18C
*	Blower Housing	x	x	x	x	x	x	x	x
5152-011	Blower Wheel DD10-8A	x	x	x	x	x	x	x	x
5152-012	Blower Wheel DD10-8A	x	x	x	x	x	x	x	x
8552-005	Capacitor - Blower 10/370V	x	x	x	x	x	x	x	x
8552-026	Capacitor - Fan 15/370V	x	x	x	x	x	x	x	x
5811-021	Capillary Tube - Cool	2	2	2	2	2	2	2	2
8000-059	Compressor CRJ3-0300	x	x	x	x	x	x	x	x
5051-027	Condenser Coil	x	x	x	x	x	x	x	x
8401-002	Contactora - 3P25A	x	x	x	x	x	x	x	x
8401-006	Contactora - Heater 24V	1	2	2	2	1	2	2	2
8615-019	Circuit Breaker					1	1		
8615-011	Circuit Breaker							1	1
5060-025	Evaporator Coil	x	x	x	x	x	x	x	x
5151-027	Fan Blade B2430-4 ccw.	x	x	x	x	x	x	x	x
7004-016	Filter 20x30	x	x	x	x	x	x	x	x
8604-047	Heat Strip 15kw			x				x	
8604-048	Heat Strip 9kw		1		2		1		2
8402-047	Limit Switch L180-7		1	1	1		1	1	1
8106-023	Motor - Blower 1/2 hp	x	x	x	x	x	x	x	x
8105-021	Motor - Fan 1/3 hp	x	x	x	x	x	x	x	x
8201-009	Relay - Blower	x	x	x	x	x	x	x	x
8200-004	Motor Mount - Fan	x	x	x	x	x	x	x	x
5210-005	Strainer	x	x	x	x	x	x	x	x
8607-018	Terminal Board 24V	x	x	x	x	x	x	x	x
8607-014	Terminal Block 230V	x	x	x	x				
8402-032	Thermal Cutoff		2	3	3		2	3	3
8407-034	Transformer 40VA	x	x	x	x	x	x	x	x
4010-210	Wiring Diagram	x							
4010-211	Wiring Diagram					x			
4010-220	Wiring Diagram		x						
4010-221	Wiring Diagram						x		
4010-230	Wiring Diagram			x					
4010-231	Wiring Diagram				x			x	
4010-240	Wiring Diagram								
4010-241	Wiring Diagram								x

*Please order by model number.

PARTS LIST
SINGLE PACKAGE AIR CONDITIONERS

Part No.	Description	49WA-A00N	49WA-A10N	49WA-A15N	49WA-A20N	49WA-A00C	49WA-A10C	49WA-A15C	49WA-A20C	49WA-A00H	49WA-A10H	49WA-A20H
*	Blower Housing	x	x	x	x	x	x	x	x	x	x	x
5152-011	Blower Wheel DD10-8A	x	x	x	x	x	x	x	x	x	x	x
5152-012	Blower Wheel DD10-8A	x	x	x	x	x	x	x	x	x	x	x
8552-005	Capacitor - Blower 10/370V	x	x	x	x	x	x	x	x	x	x	x
8552-026	Capacitor - Fan 15/370V	x	x	x	x	x	x	x	x	x	x	x
8552-030	Capacitor - Compressor 40/440V	x	x	x	x	x	x	x	x	x	x	x
5811-020	Capillary Tube - Cool	2	2	2	2	2	2	2	2			
8000-063	Compressor CRK3-0325	x	x	x	x	x	x	x	x	x	x	x
5051-028	Condenser Coil	x	x	x	x	x	x	x	x	x	x	x
8401-006	Contactor - Heater 24V		1	2	2		1	2	2		1	2
8401-003	Contactor - Compressor 1P30A	1	1	1	1	1	1	1	1	1	1	1
8615-015	Circuit Breaker					1						
8615-016	Circuit Breaker						1	1	2			
8615-013	Circuit Breaker							1				
5060-025	Evaporator Coil	x	x	x	x	x	x	x	x	x	x	x
5151-027	Fan Blade B2430-4 ccw	x	x	x	x	x	x	x	x	x	x	x
7004-016	Filter 20x30	x	x	x	x	x	x	x	x	x	x	x
8614-022	Fuse 60A			2	2							2
8614-006	Fuse 30A			2								
8614-007	Fuse 60A				2							2
8614-017	Fuse Block 15kw			1								
8614-018	Fuse Block 20kw				1							1
8604-044	Heat Strip 10kw		1		2		1		2		1	2
8604-047	Heat Strip 15kw			1				1				
8402-047	Limit Switch L180-7		x	x	x		x	x	x		x	x
8106-023	Motor - Blower 1/2 hp	x	x	x	x	x	x	x	x	x	x	x
8105-021	Motor - Fan 1/3 hp	x	x	x	x	x	x	x	x	x	x	x
8201-009	Relay - Blower	x	x	x	x	x	x	x	x	x	x	x
8200-004	Motor Mount - Fan	x	x	x	x	x	x	x	x	x	x	x
5210-005	Strainer	x	x	x	x	x	x	x	x			
8607-018	Terminal Board 24V	x	x	x	x	x	x	x	x	x	x	x
8607-013	Terminal Block 230V	x	x							x	x	
8402-032	Thermal Cutoff		2	3	4		2	3	4		2	4
8407-034	Transformer 40VA	x	x	x	x	x	x	x	x	x	x	x
4010-110	Wiring Diagram	x								x		
4010-111	Wiring Diagram					x						
4010-130	Wiring Diagram		x								x	
4010-131	Wiring Diagram						x					
4010-140	Wiring Diagram			x								
4010-141	Wiring Diagram							x				
4010-150	Wiring Diagram				x							x
4010-151	Wiring Diagram								x			

*Please order by model number.

PARTS LIST
SINGLE PACKAGE AIR CONDITIONERS

1/88

Part No.	Description	49WA-B00N	49WA-B09N	49WA-B15N	49WA-B18N	49WA-B00C	49WA-B90C	49WA-B15C	49WA-B18C	49WA-B00H	49WA-B09H	49WA-B18H
*	Blower Housing	x	x	x	x	x	x	x	x	x	x	x
5152-011	Blower Wheel DD10-8A	x	x	x	x	x	x	x	x	x	x	x
5152-012	Blower Wheel DD10-8A	x	x	x	x	x	x	x	x	x	x	x
8552-005	Capacitor - Blower 10/370V	x	x	x	x	x	x	x	x	x	x	x
8552-026	Capacitor - Fan 15/370V	x	x	x	x	x	x	x	x	x	x	x
5811-020	Capillary Tube - Cool	2	2	2	2	2	2	2	2			
8000-064	Compressor CRK3-0325	x	x	x	x	x	x	x	x	x	x	x
5051-028	Condenser Coil	x	x	x	x	x	x	x	x	x	x	x
8401-002	Contact - 3P25A	1	1	1	1	1	1	1	1	1	1	1
8401-006	Contact - Heater 24V		1	2	2		1	2	2		1	2
8615-019	Circuit Breaker					1	1					
8615-011	Circuit Breaker							1	1			
5060-025	Evaporator Coil	x	x	x	x	x	x	x	x	x	x	x
5151-027	Fan Blade B2430-4 ccw	x	x	x	x	x	x	x	x	x	x	x
7004-016	Filter 20x30	x	x	x	x	x	x	x	x	x	x	x
8604-047	Heat Strip 15kw			1				1				
8604-048	Heat Strip 9kw		1		2		1		2		1	2
8402-047	Limit Switch L180-7		x	x	x		x	x	x		x	x
8106-023	Motor - Blower 1/2 hp	x	x	x	x	x	x	x	x	x	x	x
8105-021	Motor - Fan 1/3 hp	x	x	x	x	x	x	x	x	x	x	x
8200-004	Motor Mount - Fan	x	x	x	x	x	x	x	x	x	x	x
8201-009	Relay - Blower	x	x	x	x	x	x	x	x	x	x	x
5210-005	Strainer	x	x	x	x	x	x	x	x			
8607-018	Terminal Board 24V	x	x	x	x	x	x	x	x	x	x	x
8607-014	Terminal Block 230V	x	x	x	x					x	x	x
8402-032	Thermal Cutoff		2	3	4		2	3	4		2	4
8407-034	Transformer 40VA	x	x	x	x	x	x	x	x	x	x	x
4010-210	Wiring Diagram	x								x		
4010-211	Wiring Diagram					x						
4010-220	Wiring Diagram		x								x	
4010-221	Wiring Diagram						x					
4010-230	Wiring Diagram							x				
4010-231	Wiring Diagram			x					x			
4010-240	Wiring Diagram				x							x
4010-241	Wiring Diagram								x			

*Please order by model number.

PARTS LIST
SINGLE PACKAGE AIR CONDITIONERS

1/88

Part No.	Description	49WA-C00N	49WA-C09N	49WA-C15N	49WA-C18N	49WA-C00C	49WA-C09C	49WA-C15C	49WA-C18C	49WA-C00H	49WA-C09H	49WA-C18H
*	Blower Housing	x	x	x	x	x	x	x	x	x	x	x
5152-011	Blower Wheel DD10-8A	x	x	x	x	x	x	x	x	x	x	x
5152-012	Blower Wheel DD10-8A	x	x	x	x	x	x	x	x	x	x	x
8552-005	Capacitor - Blower 10/370V	x	x	x	x	x	x	x	x	x	x	x
8552-026	Capacitor - Fan 15/370V	x	x	x	x	x	x	x	x	x	x	x
5811-020	Capillary Tube - Cool	2	2	2	2	2	2	2	2			
8000-065	Compressor CRK3-0325	x	x	x	x	x	x	x	x	x	x	x
5051-028	Condenser Coil	x	x	x	x	x	x	x	x	x	x	x
8401-002	Contacto - 3P25A	1	2	2	3	1	2	2	3	1	2	3
8615-024	Circuit Breaker					1	1					
8615-026	Circuit Breaker							1				
8615-027	Circuit Breaker								1			
5060-025	Evaporator Coil	x	x	x	x	x	x	x	x	x	x	x
5151-027	Fan Blade B2430-4 ccw	x	x	x	x	x	x	x	x	x	x	x
7004-016	Filter 20x30	x	x	x	x	x	x	x	x	x	x	x
8604-050	Heat Strip 9kw		1				1				1	
8604-052	Heat Strip 15kw			1				1				
8604-087	Heat Strip 18kw 460v				2				2			2
8402-047	Limit Switch L180-7		x	x	x		x	x	x		x	x
8106-024	Motor - Blower	x	x	x	x	x	x	x	x	x	x	x
8105-030	Motor - Fan	x	x	x	x	x	x	x	x	x	x	x
8200-004	Motor Mount - Fan	x	x	x	x	x	x	x	x	x	x	x
8201-032	Relay - Blower	x	x	x	x	x	x	x	x	x	x	x
5210-005	Strainer	x	x	x	x	x	x	x	x			
8607-018	Terminal Board 24V	x	x	x	x	x	x	x	x	x	x	x
8607-014	Terminal Block 230V	x	x	x	x					x	x	x
8402-032	Thermal Cutoff		3	3	6		3	3	6		3	6
8607-015	Phenolic Insulator	x	x	x	x					x	x	x
8407-027	Transformer 48VA	x	x	x	x	x	x	x	x	x	x	x
4010-310	Wiring Diagram	x								x		
4010-311	Wiring Diagram					x						
4010-320	Wiring Diagram		x	x							x	
4010-321	Wiring Diagram						x	x				
4010-330	Wiring Diagram				x							x
4010-331	Wiring Diagram								x			

* Please order by model number.

SUPPLEMENTAL PARTS LIST FOR
HOT GAS BYPASS UNITS

1/88

Part No.	Description	49WA
5651-040	TXV Expansion Valve	x
5651-008	Distributor	x
5651-064	Hot Gas Bypass Valve	x
5651-015	Head Pressure Control Valve	x
5651-016	Pressure Differential Valve	x
5203-006	Receiver	x
5651-051	Manual Shutoff Valve	x
5201-002	Filter Drier	x
5202-008	Accumulator	x
5201-014	Sight Glass	x

PARTS LIST
SINGLE PACKAGE AIR CONDITIONERS

1/88

Part No.	Description	60WA-A00N	60WA-A10N	60WA-A15N	60WA-A20N	60WA-A00C	60WA-A10C	60WA-A15C	60WA-A20C	60WA-A00H	60WA-A10H	60WA-A20H
*	Blower Housing	x	x	x	x	x	x	x	x	x	x	x
5152-011	Blower Wheel DD10-8A	x	x	x	x	x	x	x	x	x	x	x
5152-012	Blower Wheel DD10-8A	x	x	x	x	x	x	x	x	x	x	x
8552-005	Capacitor - Blower 10/370V	x	x	x	x	x	x	x	x	x	x	x
8552-026	Capacitor - Fan 15/370V	x	x	x	x	x	x	x	x	x	x	x
8552-031	Capacitor - Compressor 45/440V	x	x	x	x	x	x	x	x	x	x	x
5811-032	Capillary Tube - Cool	2	2	2	2	2	2	2	2			
8000-091	Compressor H23A543ABCA	x	x	x	x	x	x	x	x	x	x	x
5051-028	Condenser Coil	x	x	x	x	x	x	x	x	x	x	x
8401-006	Contactora - Heater 24V		1	2	2		1	2	2		1	2
8401-016	Contactora - 1P35A	x	x	x	x	x	x	x	x	x	x	x
8615-016	Circuit Breaker					1	1	1	2			
8615-013	Circuit Breaker							1				
5060-039	Evaporator Coil	x	x	x	x	x	x	x	x	x	x	x
5151-027	Fan Blade B2430-4 ccw	x	x	x	x	x	x	x	x	x	x	x
7004-016	Filter 20x30	x	x	x	x	x	x	x	x	x	x	x
8614-022	Fuse 60A			2	2							2
8614-006	Fuse 30A			2								2
8614-007	Fuse 60A				2							2
8614-017	Fuse Block 15kw			1								
8614-018	Fuse Block 20kw				1							1
8604-044	Heat Strip 10kw		1		2		1		2		1	2
8604-047	Heat Strip 15kw			1				1				
8402-047	Limit Switch L180-7		x	x	x		x	x	x		x	x
8106-023	Motor - Blower 1/2 hp	x	x	x	x	x	x	x	x	x	x	x
8105-021	Motor - Fan 1/3 hp	x	x	x	x	x	x	x	x	x	x	x
8200-004	Motor Mount - Fan	x	x	x	x	x	x	x	x	x	x	x
8201-009	Relay - Blower	x	x	x	x	x	x	x	x	x	x	x
5210-005	Strainer	x	x	x	x	x	x	x	x			
8607-018	Terminal Board 24V	x	x	x	x	x	x	x	x	x	x	x
8607-013	Terminal Block 230V	x	x							x	x	
8402-032	Thermal Cutoff		2	3	4		2	3	4		2	4
8407-034	Transformer 40VA	x	x	x	x	x	x	x	x	x	x	x
4010-110	Wiring Diagram	x								x		
4010-111	Wiring Diagram					x						
4010-130	Wiring Diagram		x								x	
4010-131	Wiring Diagram						x					
4010-140	Wiring Diagram			x								
4010-141	Wiring Diagram							x				
4010-150	Wiring Diagram				x							x
4010-151	Wiring Diagram								x			

*Please order by model number.

PARTS LIST
SINGLE PACKAGE AIR CONDITIONERS

1/88

Part No.	Description	60WA-B00N	60WA-B09N	60WA-B15N	60WA-B18N	60WA-B00C	60WA-B09C	60WA-B15C	60WA-B18C	6-WA-B00H	60WA-B09H	60WA-B18H
*	Blower Housing	x	x	x	x	x	x	x	x	x	x	x
5152-011	Blower Wheel DD10-8A	x	x	x	x	x	x	x	x	x	x	x
5152-012	Blower Wheel DD10-8A	x	x	x	x	x	x	x	x	x	x	x
8552-005	Capacitor - Blower 10/370V	x	x	x	x	x	x	x	x	x	x	x
8552-026	Capacitor - Fan 15/370V	x	x	x	x	x	x	x	x	x	x	x
5811-032	Capillary Tube - Cool	2	2	2	2	2	2	2	2			
8000-031	Compressor AC122RT	x	x	x	x	x	x	x	x	x	x	x
5051-028	Condenser Coil	x	x	x	x	x	x	x	x			
8401-006	Contactora - Heater 24V		1	2	2		1	2	2		1	2
8401-011	Contactora 3P30A	x	x	x	x	x	x	x	x	x	x	x
8615-021	Circuit Breaker					1	1					
8615-011	Circuit Breaker							1	1			
5060-039	Evaporator Coil	x	x	x	x	x	x	x	x	x	x	x
5151-027	Fan Blade B2430-4 ccw	x	x	x	x	x	x	x	x	x	x	x
7004-016	Filter 20x30	x	x	x	x	x	x	x	x	x	x	x
8604-047	Heat Strip 15kw			1				1				
8604-048	Heat Strip 9kw		1		2		1		2		1	2
8402-047	Limit Switch L180-7		x	x	x		x	x	x		x	x
8106-023	Motor - Blower 1/2 hp	x	x	x	x	x	x	x	x	x	x	x
8105-021	Motor - Fan 1/3 hp	x	x	x	x	x	x	x	x	x	x	x
8200-004	Motor Mount - Fan	x	x	x	x	x	x	x	x	x	x	x
8201-009	Relay - Blower	x	x	x	x	x	x	x	x	x	x	x
5210-005	Strainer	x	x	x	x	x	x	x	x			
8607-018	Terminal Board 24V	x	x	x	x	x	x	x	x	x	x	x
8607-014	Terminal Block 230V	x	x	x	x					x	x	x
8402-032	Thermal Cutoff		2	3	4		2	3	4		2	4
8407-034	Transformer 40VA	x	x	x	x	x	x	x	x	x	x	x
4010-210	Wiring Diagram	x								x		
4010-211	Wiring Diagram					x						
4010-220	Wiring Diagram		x								x	
4010-221	Wiring Diagram						x					
4010-230	Wiring Diagram			x								
4010-231	Wiring Diagram							x				
4010-240	Wiring Diagram				x							x
4010-241	Wiring Diagram								x			

*Please order by model number.

PARTS LIST
SINGLE PACKAGE AIR CONDITIONERS

Part No.	Description	60WA-C00N	60WA-C09N	60WA-C15N	60WA-C18N	60WA-C00C	60WA-C09C	60WA-C15C	60WA-C18C	60WA-C00H	60WA-C09H	60WA-C18H
*	Blower Housing	x	x	x	x	x	x	x	x	x	x	x
5152-011	Blower Wheel DD10-8A	x	x	x	x	x	x	x	x	x	x	x
5152-012	Blower Wheel DD10-8A	x	x	x	x	x	x	x	x	x	x	x
8552-005	Capacitor - Blower 10/370V	x	x	x	x	x	x	x	x	x	x	x
8552-026	Capacitor - Fan 15/370V	x	x	x	x	x	x	x	x	x	x	x
5811-032	Capillary Tube - Cool	2	2	2	2	2	2	2	2			
8000-048	Compressor AG122UT	x	x	x	x	x	x	x	x	x	x	x
5051-028	Condenser Coil	x	x	x	x	x	x	x	x	x	x	x
8401-002	Contactora - 3P25A	1	2	2	3	1	2	2	3	1	2	3
8615-024	Circuit Breaker					1	1					
8615-026	Circuit Breaker							1				
8615-027	Circuit Breaker								1			
5060-039	Evaporator Coil	x	x	x	x	x	x	x	x	x	x	x
5151-027	Fan Blade B2430-4 ccw	x	x	x	x	x	x	x	x	x	x	x
7004-016	Filter 20x30	x	x	x	x	x	x	x	x	x	x	x
8604-050	Heat Strip 9kw		1				1				1	
8604-052	Heat Strip 15kw			1				1				
8604-087	Heat Strip 18kw 460v				2				2			2
8402-047	Limit Switch L180-7		x	x	x		x	x	x		x	x
8106-024	Motor - Blower	x	x	x	x	x	x	x	x	x	x	x
8105-030	Motor - Fan	x	x	x	x	x	x	x	x	x	x	x
8200-004	Motor Mount - Fan	x	x	x	x	x	x	x	x	x	x	x
8201-032	Relay - Blower	x	x	x	x	x	x	x	x	x	x	x
8607-015	Phenolic Insulator	x	x	x	x					x	x	x
5210-005	Strainer	x	x	x	x	x	x	x	x			
8607-018	Terminal Board 24V	x	x	x	x	x	x	x	x	x	x	x
8607-014	Terminal Block 230V	x	x	x	x					x	x	x
8402-032	Thermal Cutoff		3	3	6		3	3	6		3	6
8407-027	Transformer 48VA	x	x	x	x	x	x	x	x	x	x	x
4010-310	Wiring Diagram	x								x		
4010-311	Wiring Diagram					x						
4010-320	Wiring Diagram		x	x							x	
4010-321	Wiring Diagram						x	x				
4010-330	Wiring Diagram				x							x
4010-331	Wiring Diagram								x			

*Please order by model number.

SUPPLEMENTAL PARTS LIST FOR
HOT GAS BYPASS UNITS

1/88

Part No.	Description	60WA
5651-040	TXV Expansion Valve	x
5651-008	Distributor	x
5651-064	Hot Gas Bypass Valve	x
5651-015	Head Pressure Control Valve	x
5651-016	Pressure Differential Valve	x
5203-006	Receiver	x
5651-051	Manual Shutoff Valve	x
5201-002	Filter Drier	x
5202-008	Accumulator	x
5201-014	Sight Glass	x

PARTS LIST
Single Package Heat Pumps

1 / 88

Part No.	Description	MHP30A	MHP30A-A05	MHP30A-A10	MHP30A-A00/C	MHP30A-A05/C	MHP30A-A10/C	MHP36A	MHP36A-A05	MHP36A-A10	MHP36A-A00/C	MHP36A-A05/C	MHP36A-A10/C
5202-004	Accumulator	x	x	x	x	x	x	x	x	x	x	x	x
5811-001	Capillary Tube 25 x .050	4	4	4	4	4	4						
5811-005	Capillary Tube 38 x .059	2	2	2	2	2	2	4	4	4	4	4	4
5811-036	Capillary Tube 28 x .059							2	2	2	2	2	2
8605-008	Crankcase Heater							x	x	x	x	x	x
8615-015	Circuit Breaker										1		
8615-014	Circuit Breaker				1								
8615-016	Circuit Breaker					1	1					1	1
8615-013	Circuit Breaker						1						1
4083-110	Wiring Diagram	x						x					
4083-111	Wiring Diagram				x						x		
4083-120	Wiring Diagram		x						x				
4083-121	Wiring Diagram					x						x	
4083-130	Wiring Diagram			x						x			
4083-131	Wiring Diagram						x						x

PARTS LIST
SINGLE PACKAGE HEAT PUMP

Page: K3
Date: 10/3/88

Part No.	Description	24WH6-A04CD002	24WH6-A08CD002
4011-824	Wiring Diagram	X	
4011-825	Wiring Diagram		X
5060-048	Evaporator Coil	X	X
5151-033	Fan Blade F10H8.7	X	X
5152-028	Blower Housing 9-7	X	X
5152-029	Blower Housing 9-7	X	X
5152-030	Blower Housing 9-7	X	X
5202-006	Accumulator	X	X
5210-002	Strainer	1	1
5210-004	Strainer	1	1
5451-011	Motor Mounting Parts	X	X
5650-008	Solenoid Coil	X	X
5650-009	Reversing Valve	X	X
5651-036	Check Valve	X	X
5811-017	Capillary Tube--Heat	1	1
5811-036	Capillary Tube--Cool	2	2
7004-006	Filter 14x25	X	X
8000-101	Compressor H23B223ABCA	X	X
8102-009	Motor--Blower 1/6 hp	X	X
8103-016	Motor--Fan 1/5 hp	X	X
8200-023	Motor Mount--Fan	X	X
8200-031	Motor Mount--Blower	X	X
8201-009	Relay--Blower	2	2
8201-015	Emergency Heat Relay	1	1
8201-024	Relay--Compressor Fault	X	X
8201-047	Relay--Defrost	X	X
8401-006	Contactactor--Heater 2P18	1	1
8401-007	Contactactor--Compressor 25A	1	1
8402-030	Thermal Cutoff	1	2
8402-048	Limit Switch 160 Degree	X	X
8406-011	High Pressure Switch	X	X
8407-035	Transformer	X	X
8408-018	Defrost Thermostat	X	X
8552-002	Capacitor 5/370V	X	X
8552-004	Capacitor 7-1/2 / 370V	X	X
8552-045	Capacitor 30/370V	X	X
8604-041	Heat Strip 4KW	1	
8604-043	Heat Strip 8KW		1
8607-019	Terminal Board	X	X
8612-012	Timer	X	X
8615-010	Circuit Breaker		1
8615-013	Circuit Breaker	1	

PARTS LIST
SINGLE PACKAGE HEAT PUMPS

Page: L1
Date: 10/20/88

Part No.	Description	3 O W H 6 A O O N	3 O W H 6 A O 5 N	3 O W H 6 A O 1 N	3 O W H 6 A O 1 N	3 O W H 6 A O 0 C	3 O W H 6 A O 0 C	3 O W H 6 A O 1 C	3 O W H 6 A O 1 C	3 O W H 6 A O 0 T	3 O W H 6 A O 0 T	3 O W H 6 A O 1 T	3 O W H 6 A O 1 T
4012-110	Wiring Diagram	x								x			
4012-111	Wiring Diagram				x								
4012-120	Wiring Diagram		x								x		
4012-121	Wiring Diagram					x							
4012-130	Wiring Diagram			x								x	
4012-131	Wiring Diagram							x					
4012-140	Wiring Diagram				x								x
4012-141	Wiring Diagram								x				
5051-052	Condenser Coil	x	x	x	x	x	x	x	x	x	x	x	x
5060-052	Evaporator Coil	x	x	x	x	x	x	x	x	x	x	x	x
5151-032	Fan Blade F10H9.5-2022 ccw	x	x	x	x	x	x	x	x	x	x	x	x
5152-028	Blower Wheel 9-7	x	x	x	x	x	x	x	x	x	x	x	x
5152-029	Blower Wheel 9-7	x	x	x	x	x	x	x	x	x	x	x	x
5152-030	Blower Housing 9-7	x	x	x	x	x	x	x	x	x	x	x	x
5202-016	Accumulator	x	x	x	x	x	x	x	x	x	x	x	x
5210-002	Strainer	x	x	x	x	x	x	x	x	x	x	x	x
5210-006	Strainer	x	x	x	x	x	x	x	x	x	x	x	x
5650-008	Solenoid Coil	x	x	x	x	x	x	x	x	x	x	x	x
5650-013	Reversing Valve	x	x	x	x	x	x	x	x	x	x	x	x
5651-036	Check Valve	x	x	x	x	x	x	x	x	x	x	x	x
5811-001	Capillary Tube--Cool	4	4	4	4	4	4	4	4	4	4	4	4
5811-023	Capillary Tube--Heat	1	1	1	1	1	1	1	1	1	1	1	1
7004-008	Filter 15x30-5/8x1	x	x	x	x	x	x	x	x	x	x	x	x
8000-099	Compressor 703212-02-1074	x	x	x	x	x	x	x	x	x	x	x	x
8103-016	Motor--Fan 1/5 hp	x	x	x	x	x	x	x	x	x	x	x	x
8105-029	Motor--Blower 1/3 hp	x	x	x	x	x	x	x	x	x	x	x	x
8200-001	Motor Mount--Fan	x	x	x	x	x	x	x	x	x	x	x	x
8200-031	Motor Mount--Blower	x	x	x	x	x	x	x	x	x	x	x	x
8201-009	Relay--Blower	x	x	x	x	x	x	x	x	x	x	x	x
8201-013	Relay--Emergency Heat				x			x					x
8201-024	Relay--Compressor Fault	x	x	x	x	x	x	x	x	x	x	x	x
8201-047	Relay--Defrost	x	x	x	x	x	x	x	x	x	x	x	x
8401-006	Contact--Heater 2P20		1	1	2		1	1	2		1	1	2
8401-007	Contact--Compressor 1P25A	x	x	x	x	x	x	x	x	x	x	x	x
8402-030	Thermal Cutoff										1	2	3
8402-031	High Limit Switch 155 Degree		x	x	x		x	x	x		x	x	x
8402-032	Thermal Cutoff		1	2	3		1	2	3				
8406-010	High Pressure Switch	x	x	x	x	x	x	x	x	x	x	x	x
8407-035	Transformer	x	x	x	x	x	x	x	x	x	x	x	x
8408-018	Defrost Thermostat	x	x	x	x	x	x	x	x	x	x	x	x
8552-002	Capacitor 5/370V	2	2	2	2	2	2	2	2	2	2	2	2
8552-032	Capacitor 35/370V	x	x	x	x	x	x	x	x	x	x	x	x
8604-042	Heat Strip 5KW		1				1				1		
8604-044	Heat Strip 10KW			1				1				1	

PARTS LIST
SINGLE PACKAGE HEAT PUMPS

Page: L2
Date: 1/88

Part No.	Description	3 O W H 6 A O O N	3 O W H 6 A O 5 N	3 O W H 6 A O 1 N	3 O W H 6 A O 5 N	3 O W H 6 A O 0 C	3 O W H 6 A O 5 C	3 O W H 6 A O 1 C	3 O W H 6 A O 1 C	3 O W H 6 A O 0 T	3 O W H 6 A O 5 T	3 O W H 6 A O 1 T	3 O W H 6 A O 5 T
8604-047	Heat Strip 15KW			1				1					1
8607-013	Terminal Block 2 pole		x							x			
8607-019	Terminal Board 24V	x	x	x	x	x	x	x	x	x	x	x	x
8612-012	Timer	x	x	x	x	x	x	x	x	x	x	x	x
8614-006	Fuse 30A			2								2	
8614-007	Fuse 60A				2								2
8614-017	Fuse Block 60-30			1								1	
8614-018	Fuse Block 15KW				1								1
8614-022	Fuse 60A			2	2							2	2
8615-009	Circuit Breaker					1							
8615-013	Circuit Breaker							1					
8615-015	Circuit Breaker						1	1		1			
8615-016	Circuit Breaker									1			

PARTS LIST
SINGLE PACKAGE HEAT PUMPS

L3

1/88

Part No.	Description	30WH6--A05CD002	30WH6-A10CD002
5202-004	Accumulator	x	x
5152-030	Blower Housing 9-7	x	x
5152-028	Blower Wheel 9-7	x	x
5152-029	Blower Wheel 9-7	x	x
8552-032	Capacitor 35/370V	x	x
8552-002	Capacitor 5/370V	2	2
5811-001	Capillary Tube - Cool	4	4
5811-023	Capillary Tube - Heat	1	1
5651-036	Check Valve	x	x
8000-099	Compressor 703212-02-1074	x	x
5051-052	Condenser Coil	x	x
8401-007	Contactator - Compressor 1P25A	x	x
8401-006	Contactator - Heater 2P20	1	1
8615-009	Circuit Breaker	1	
8615-016	Circuit Breaker		1
8408-018	Defrost Thermostat	x	x
5060-052	Evaporator Coil	x	x
5152-032	Fan Blade F10H9.5-2022 ccw	x	x
7004-008	Filter 15 x 30-5/8 x 1	x	x
8604-042	Heat Strip 5KW	1	
8604-044	Heat Strip 10KW		1
8406-010	High Pressure Switch	x	x
8402-031	High Limit Switch 155°	x	x
8105-029	Motor - Blower 1/3 hp	x	x
8103-016	Motor - Fan 1/5 hp	x	x
8200-031	Motor Mount - Blower	x	x
8200-001	Motor Mount - Fan	x	x
8201-009	Relay - Blower	2	2
8201-024	Relay - Compressor Fault	x	x
8201-047	Relay - Defrost	x	x
8201-015	Relay - Emergency Heat	1	1
5650-013	Reversing Valve	x	x
5650-008	Solenoid Coil	x	x
5210-006	Strainer	x	x
5210-002	Strainer	x	x
8607-019	Terminal Board 24V	x	x
8402-032	Thermal Cutoff	1	2
8612-012	Timer	x	x
8407-035	Transformer	x	x
4013-855	Wiring Diagram	x	
4013-857	Wiring Diagram		x

PARTS LIST
SINGLE PACKAGE HEAT PUMPS

Page: M2
Date: 10/20/88

Part No.	Description	3 O W H 6 B O O N	3 O W H 6 B O 9 N	3 O W H 6 B O 0 C	3 O W H 6 B O 9 C	3 O W H 6 B O 0 T	3 O W H 6 B O 9 T	3 O W H 6 C O 0 N	3 O W H 6 C O 9 N	3 O W H 6 C O 0 C	3 O W H 6 C O 9 C
8604-048	Heat Strip 9KW		1		1		1				
8604-072	Heat Strip 9KW								1		1
8607-014	Terminal Block 3 pole	1	1			1	1	1	1		
8607-015	Phenolic Insulator							X	X		
8607-017	Terminal Block 2 pole							1	1	1	1
8607-019	Terminal Board 24V	X	X	X	X	X	X	X	X	X	X
8612-012	Timer	X	X	X	X	X	X	X	X	X	X
8615-017	Circuit Breaker			1							
8615-021	Circuit Breaker				1						
8615-023	Circuit Breaker								1		
8615-025	Circuit Breaker										1

PARTS LIST
SINGLE PACKAGE HEAT PUMPS

Page: N1
Date: 12/14/88

Part No.	Description	3 6 W H 7 A O O N	3 6 W H 7 A O O N	3 6 W H 7 A O O N	3 6 W H 7 A O O N	3 6 W H 7 A O O N	3 6 W H 7 A O O N	3 6 W H 7 A O O N	3 6 W H 7 A O O N	3 6 W H 7 A O O N	3 6 W H 7 A O O N	3 6 W H 7 A O O N
4013-110	Wiring Diagram	X							X			
4013-111	Wiring Diagram				X							
4013-120	Wiring Diagram		X							X		
4013-121	Wiring Diagram					X						
4013-130	Wiring Diagram			X							X	
4013-131	Wiring Diagram						X					
4013-140	Wiring Diagram			X								X
4013-141	Wiring Diagram							X				
5051-053	Condenser Coil	X	X	X	X	X	X	X	X	X	X	X
5060-052	Evaporator Coil	X	X	X	X	X	X	X	X	X	X	X
5151-032	Fan Blade F10H9.5-2022 ccw	X	X	X	X	X	X	X	X	X	X	X
5152-028	Blower Wheel 9-7	X	X	X	X	X	X	X	X	X	X	X
5152-029	Blower Wheel 9-7	X	X	X	X	X	X	X	X	X	X	X
5152-030	Blower Housing 9-7	X	X	X	X	X	X	X	X	X	X	X
5202-016	Accumulator	X	X	X	X	X	X	X	X	X	X	X
5210-004	Strainer	X	X	X	X	X	X	X	X	X	X	X
5210-006	Strainer	X	X	X	X	X	X	X	X	X	X	X
5650-008	Solenoid Coil	X	X	X	X	X	X	X	X	X	X	X
5650-013	Reversing Valve	X	X	X	X	X	X	X	X	X	X	X
5651-036	Check Valve	X	X	X	X	X	X	X	X	X	X	X
5811-005	Capillary Tube--Cool	4	4	4	4	4	4	4	4	4	4	4
5811-016	Capillary Tube--Heat	2	2	2	2	2	2	2	2	2	2	2
7004-008	Filter 15x30-5/8x1	X	X	X	X	X	X	X	X	X	X	X
8000-058	Compressor CRJ3-0300-PFV-270	X	X	X	X	X	X	X	X	X	X	X
8103-019	Motor--Fan 1/5 hp	X	X	X	X	X	X	X	X	X	X	X
8105-029	Motor--Blower 1/3 hp	X	X	X	X	X	X	X	X	X	X	X
8200-001	Motor Mount--Fan	X	X	X	X	X	X	X	X	X	X	X
8200-031	Motor Mount--Blower	X	X	X	X	X	X	X	X	X	X	X
8201-009	Relay--Blower	X	X	X	X	X	X	X	X	X	X	X
8201-013	Relay--Emergency Heat				X			X				X
8201-024	Relay--Compressor Fault	X	X	X	X	X	X	X	X	X	X	X
8201-047	Relay--Defrost	X	X	X	X	X	X	X	X	X	X	X
8401-006	Contactor--Heater 2P20		1	1	2		1	1	2		1	1
8401-007	Contactor--Comp. 1P25A	X	X	X	X	X	X	X	X	X	X	X
8402-030	Thermal Cutoff									1	2	3
8402-031	High Limit Switch 155 degree		X	X	X		X	X	X		X	X
8402-032	Thermal Cutoff		1	2	3		1	2	3			
8406-010	High Pressure Switch	X	X	X	X	X	X	X	X	X	X	X
8407-035	Transformer	X	X	X	X	X	X	X	X	X	X	X
8408-016	Defrost Thermostat	X	X	X	X	X	X	X	X	X	X	X
8552-002	Capacitor 5/370V	2	2	2	2	2	2	2	2	2	2	2
8552-028	Capacitor 35/440V	X	X	X	X	X	X	X	X	X	X	X
8604-042	Heat Strip 5KW		1				1				1	
8604-044	Heat Strip 10KW			1				1				1

PARTS LIST
SINGLE PACKAGE HEAT PUMPS

Page: N2
Date: 10/20/88

Part No.	Description	3	3	3	3	3	3	3	3	3	3	3
		6	6	6	6	6	6	6	6	6	6	6
		W	W	W	W	W	W	W	W	W	W	W
		H	H	H	H	H	H	H	H	H	H	H
		7	7	7	7	7	7	7	7	7	7	7
		A	A	A	A	A	A	A	A	A	A	A
		0	0	1	1	0	0	1	1	0	0	1
		0	5	0	5	0	5	0	5	0	5	0
		N	N	N	N	C	C	C	C	T	T	T
8604-047	Heat Strip 15KW				1				1			1
8605-005	Crankcase Heater	x	x	x	x	x	x	x	x	x	x	x
8607-013	Terminal Block 2 pole		x							x		
8607-019	Terminal Board 24V	x	x	x	x	x	x	x	x	x	x	x
8612-012	Timer	x	x	x	x	x	x	x	x	x	x	x
8614-006	Fuse 30A			2								2
8614-007	Fuse 60A				2							2
8614-017	Fuse Block 60-30			1								1
8614-018	Fuse Block 15KW				1							1
8614-022	Fuse 60A			2	2						2	2
8615-013	Circuit Breaker							1				
8615-015	Circuit Breaker					1						
8615-016	Circuit Breaker						1	1	2			

PARTS LIST
SINGLE PACKAGE HEAT PUMPS

Page: N3
Date: 12/14/88

Part No.	Description	3	3	3	3	3	3	3	3	3	3	3	3
		6	6	6	6	6	6	6	6	6	6	6	6
		W	W	W	W	W	W	W	W	W	W	W	W
		H	H	H	H	H	H	H	H	H	H	H	H
		7	7	7	7	7	7	7	7	7	7	7	7
		B	B	B	B	B	B	B	B	B	B	B	B
		0	0	0	1	1	0	0	0	1	0	0	0
		0	6	9	2	5	0	6	9	5	0	6	9
		N	N	N	N	N	C	C	C	C	T	T	T
4013-210	Wiring Diagram	X									X		
4013-211	Wiring Diagram						X						
4013-220	Wiring Diagram		X	X								X	X
4013-221	Wiring Diagram							X	X				
4013-230	Wiring Diagram					X							
4013-231	Wiring Diagram									X			
4013-240	Wiring Diagram				X								
5051-053	Condenser Coil	X	X	X	X	X	X	X	X	X	X	X	X
5060-052	Evaporator Coil	X	X	X	X	X	X	X	X	X	X	X	X
5151-032	Fan Blade F10H9.5-2022 ccw	X	X	X	X	X	X	X	X	X	X	X	X
5152-028	Blower Wheel 9-7	X	X	X	X	X	X	X	X	X	X	X	X
5152-029	Blower Wheel 9-7	X	X	X	X	X	X	X	X	X	X	X	X
5152-030	Blower Housing 9-7	X	X	X	X	X	X	X	X	X	X	X	X
5202-016	Accumulator	X	X	X	X	X	X	X	X	X	X	X	X
5210-004	Strainer	X	X	X	X	X	X	X	X	X	X	X	X
5210-006	Strainer	X	X	X	X	X	X	X	X	X	X	X	X
5650-008	Solenoid Coil	X	X	X	X	X	X	X	X	X	X	X	X
5650-013	Reversing Valve	X	X	X	X	X	X	X	X	X	X	X	X
5651-036	Check Valve	X	X	X	X	X	X	X	X	X	X	X	X
5811-005	Capillary Tube--Cool	4	4	4	4	4	4	4	4	4	4	4	4
5811-016	Capillary Tube--Heat	2	2	2	2	2	2	2	2	2	2	2	2
7004-008	Filter 15x30-5/8x1	X	X	X	X	X	X	X	X	X	X	X	X
8000-059	Compressor CRJ3-0300-TF5	X	X	X	X	X	X	X	X	X	X	X	X
8103-019	Motor--Fan 1/5 hp	X	X	X	X	X	X	X	X	X	X	X	X
8105-029	Motor--Blower 1/3 hp	X	X	X	X	X	X	X	X	X	X	X	X
8200-001	Motor Mount--Fan	X	X	X	X	X	X	X	X	X	X	X	X
8200-031	Motor Mount--Blower	X	X	X	X	X	X	X	X	X	X	X	X
8201-009	Relay--Blower	X	X	X	X	X	X	X	X	X	X	X	X
8201-013	Relay--Emergency Heat				X	X				X			
8201-047	Relay--Defrost	X	X	X	X	X	X	X	X	X	X	X	X
8401-002	Contact--Comp. 3P25A	X	X	X	X	X	X	X	X	X	X	X	X
8401-006	Contact--Heater 2P20		1	1	2	2		1	1	2		1	1
8402-030	Thermal Cutoff											2	2
8402-031	High Limit Switch 155 Degree		X	X	X	X		X	X	X		X	X
8402-032	Thermal Cutoff		2	2	4	4		2	2	4			
8406-010	High Pressure Switch	X	X	X	X	X	X	X	X	X	X	X	X
8407-035	Transformer	X	X	X	X	X	X	X	X	X	X	X	X
8408-016	Defrost Thermostat	X	X	X	X	X	X	X	X	X	X	X	X
8552-002	Capacitor 5/370V	2	2	2	2	2	2	2	2	2	2	2	2
8604-048	Heat Strip 9KW			1		1			1	1			1
8604-049	Heat Strip 6KW		1		2	1		1				1	
8607-014	Terminal Block 3 pole		X	X	X	X						X	X
8607-019	Terminal Board 24V	X	X	X	X	X	X	X	X	X	X	X	X
8612-012	Timer	X	X	X	X	X	X	X	X	X	X	X	X
8615-011	Circuit Breaker								1	1			
8615-020	Circuit Breaker						1						
8615-021	Circuit Breaker							1					

PARTS LIST
SINGLE PACKAGE HEAT PUMPS

N5

1/88

Part No.	Description	36WH7-A05CD002	36WH7-A10CD002
5202-004	Accumulator	x	x
5152-030	Blower Housing 9-7	x	x
5152-028	Blower Wheel 9-7	x	x
5152-029	Blower Wheel 9-7	x	x
8552-002	Capacitor 5/370V	2	2
8552-028	Capacitor 35/440V	x	x
5811-005	Capillary Tube - Cool	4	4
5811-010	Capillary Tube - Heat	2	2
5651-036	Check Valve	x	x
8000-087	Compressor H23A383ABCA	x	x
5051-053	Condenser Coil	x	x
8401-007	Contactora - Comp. 1P25A	x	x
8401-006	Contactora - Heater 2P20	1	1
8605-008	Crankcase Heater	x	x
8605-011	Crankcase Heater Retainer	x	x
8615-015	Circuit Breaker	1	
8615-016	Circuit Breaker		1
8408-016	Defrost Thermostat	x	x
5060-052	Evaporator Coil	x	x
5152-032	Fan Blade F10H9.5-2022 ccw	x	x
7004-008	Filter 15 x 30-5/8 x 1	x	x
8604-042	Heat Strip 5KW	1	
8604-044	Heat Strip 10KW		1
8406-010	High Pressure Switch	x	x
8402-031	High Limit Switch 155°	x	x
8105-029	Motor - Blower 1/3 hp	x	x
8103-019	Motor - Fan 1/5 hp	x	x
8200-031	Motor Mount - Blower	x	x
8200-001	Motor Mount - Fan	x	x
8201-009	Relay - Blower	2	2
8201-024	Relay - Compressor Fault	x	x
8201-047	Relay - Defrost	x	x
8201-015	Relay - Emergency Heat	1	1
5650-013	Reversing Valve	x	x
5650-008	Solenoid Coil	x	x
5210-004	Strainer	x	x
5210-006	Strainer	x	x
8607-019	Terminal Board 24V	x	x
8402-032	Thermal Cutoff	1	2
8612-012	Timer	x	x
8407-035	Transformer	x	x
4013-856	Wiring Diagram	x	
4013-857	Wiring Diagram		x

PARTS LIST
SINGLE PACKAGE HEAT PUMPS

04

1/88

Part No.	Description	42WH-B00N	42WH-B09N	42WH-B15N	42WH-B18N	42WH-B00C	42WH-B09C	42WH-B15C	42WH-B18C	42WH-C00N	42WH-C09N	42WH-C15N	42WH-C00C	42WH-C09C	42WH-C15C
8201-008	Relay - Blower	1	2	2	2	1	2	2	2						
8201-047	Relay - Defrost	x	x	x	x	x	x	x	x	x	x	x	x	x	x
8201-013	Relay - Emergency Heat				x				x						
5650-006	Reversing Valve	x	x	x	x	x	x	x	x	x	x	x	x	x	x
5650-008	Solenoid Coil	x	x	x	x	x	x	x	x	x	x	x	x	x	x
5210-005	Strainer	x	x	x	x	x	x	x	x	x	x	x	x	x	x
5210-009	Strainer	x	x	x	x	x	x	x	x	x	x	x	x	x	x
8607-015	Phenolic Insulator									x	x	x			
8607-019	Terminal Board 24V	x	x	x	x	x	x	x	x	x	x	x	x	x	x
8607-014	Terminal Block 230V	x								x	x	x			
8402-032	Thermal Cutoff		2	3	4		2	3	4		3	3		3	3
8612-012	Timer	x	x	x	x	x	x	x	x	x	x	x	x	x	x
8407-035	Transformer	x	x	x	x	x	x	x	x						
8407-037	Transformer									x	x	x	x	x	x
4014-210	Wiring Diagram	x													
4014-211	Wiring Diagram					x									
4014-220	Wiring Diagram		x												
4014-221	Wiring Diagram						x								
4014-230	Wiring Diagram			x											
4014-231	Wiring Diagram							x							
4014-240	Wiring Diagram				x										
4014-241	Wiring Diagram								x						
4014-310	Wiring Diagram									x					
4014-311	Wiring Diagram												x		
4014-320	Wiring Diagram										x	x			
4014-321	Wiring Diagram													x	x
8201-032	Relay - Blower									x	x	x	x	x	x

PARTS LIST
SINGLE PACKAGE HEAT PUMPS

1/88

Part No.	Description	60WH-B00N	60WH-B09N	60WH-B15N	60WH-B18N	60WH-B00C	60WH-B09C	60WH-B15C	60WH-B18C	60WH-C00N	60WH-C09N	60WH-C15N	60WH-C00C	60WH-C09C	60WH-C15C
5202-010	Accumulator	x	x	x	x	x	x	x	x	x	x	x	x	x	x
5152-026	Blower Housing 10-8	x	x	x	x	x	x	x	x	x	x	x	x	x	x
5152-011	Blower Wheel DD10-8A	x	x	x	x	x	x	x	x	x	x	x	x	x	x
5152-012	Blower Wheel DD10-8A	x	x	x	x	x	x	x	x	x	x	x	x	x	x
8552-026	Capacitor 15/370V	x	x	x	x	x	x	x	x	x	x	x	x	x	x
8552-005	Capacitor 10/370V	x	x	x	x	x	x	x	x	x	x	x	x	x	x
5811-036	Capillary Tube - Heat	4	4	4	4	4	4	4	4	4	4	4	4	4	4
5811-025	Capillary Tube - Cool	2	2	2	2	2	2	2	2	2	2	2	2	2	2
5651-036	Check Valve	x	x	x	x	x	x	x	x	x	x	x	x	x	x
8000-075	Compressor AG134RT	x	x	x	x	x	x	x	x						
8000-049	Compressor AG133UT									x	x	x	x	x	x
5051-038	Condenser Coil	x	x	x	x	x	x	x	x	x	x	x	x	x	x
8401-002	Contactor - Comp. 25A									1	2	2	1	2	2
8401-006	Contactor - Comp. 25A		1		2		1		2						
8401-010	Contactor - 2P30A (12-15kw)			1				1							
8401-011	Contactor - 3P30A	x	x	x	x	x	x	x	x						
8615-007	Circuit Breaker					1		2	1						
8615-011	Circuit Breaker						1		1						
8615-025	Circuit Breaker												1		
8615-027	Circuit Breaker													1	
8615-028	Circuit Breaker														1
8408-012	Defrost Thermostat	x	x	x	x	x	x	x	x	x	x	x	x	x	x
8408-004	Defrost Mounting Plate	x	x	x	x	x	x	x	x	x	x	x	x	x	x
5060-039	Evaporator Coil	x	x	x	x	x	x	x	x	x	x	x	x	x	x
5151-027	Fan Blade F12H9.5-2430	x	x	x	x	x	x	x	x	x	x	x	x	x	x
7004-016	Filter 20x30	x	x	x	x	x	x	x	x	x	x	x	x	x	x
8614-007	Fuse 60A				3										
8614-006	Fuse 30A		3												
8614-033	Fuse OT45			3											
8614-023	Fuse TR50		3	3	3										
8614-021	Fuse Block 9kw		1												
8614-020	Fuse Block 12,15,18kw			1	1										
8604-048	Heat Strip 9kw		1		2		1		2						
8604-047	Heat Strip 15kw			1				1							
8604-050	Heat Strip 9kw									1				1	
8604-052	Heat Strip 15kw										1				1
8406-010	High Pressure Switch	x	x	x	x	x	x	x	x	x	x	x	x	x	x
8402-047	Limit Switch L180-7		x	x	x		x	x	x		x	x		x	x
8106-023	Motor - Blower 1/2 hp	x	x	x	x	x	x	x	x						
8106-024	Motor Blower									x	x	x	x	x	x
8105-021	Motor - Fan 1/3 hp	x	x	x	x	x	x	x	x						
8105-030	Motor - Fan									x	x	x	x	x	x
8200-004	Motor Mount Fan	x	x	x	x	x	x	x	x	x	x	x	x	x	x
8201-008	Relay - Blower	1	2	2	2	1	2	2	2						
8201-047	Relay - Defrost	x	x	x	x	x	x	x	x	x	x	x	x	x	x
8201-032	Relay - Blower									x	x	x	x	x	x

PARTS LIST
SINGLE PACKAGE HEAT PUMPS

Q4

1/88

Part No.	Description	60WH-B00N	60WH-B09N	60WH-B15N	60WH-B18N	60WH-B00C	60WH-B09C	60WH-B15C	60WH-B18C	60WH-C00N	60WH-C09N	60WH-C15N	60WH-C00C	60WH-C09C	60WH-C15C
8201-013	Relay - Emergency Heat				x				x						
5650-006	Reversing Valve	x	x	x	x	x	x	x	x	x	x	x	x	x	x
5650-008	Solenoid Coil	x	x	x	x	x	x	x	x	x	x	x	x	x	x
5210-005	Strainer	x	x	x	x	x	x	x	x	x	x	x	x	x	x
5210-006	Strainer	x	x	x	x	x	x	x	x	x	x	x	x	x	x
8607-015	Phenolic Insulator									x	x	x	x	x	x
8607-019	Terminal Board 24V	x	x	x	x	x	x	x	x	x	x	x	x	x	x
8607-014	Terminal Block 230V	x								x	x	x	x	x	x
8402-032	Thermal Cutoff		2	3	4		2	3	4		3	3		3	3
8612-012	Timer	x	x	x	x	x	x	x	x	x	x	x	x	x	x
8407-035	Transformer	x	x	x	x	x	x	x	x						
4078-210	Wiring Diagram	x													
4078-211	Wiring Diagram					x									
4078-220	Wiring Diagram		x												
4078-221	Wiring Diagram						x								
4078-230	Wiring Diagram			x											
4078-231	Wiring Diagram							x							
4078-240	Wiring Diagram				x										
4078-241	Wiring Diagram								x						
4078-310	Wiring Diagram										x	x			
4078-311	Wiring Diagram													x	x
4078-330	Wiring Diagram									x					
4087-331	Wiring Diagram												x		

PARTS LIST
ECONOMIZER

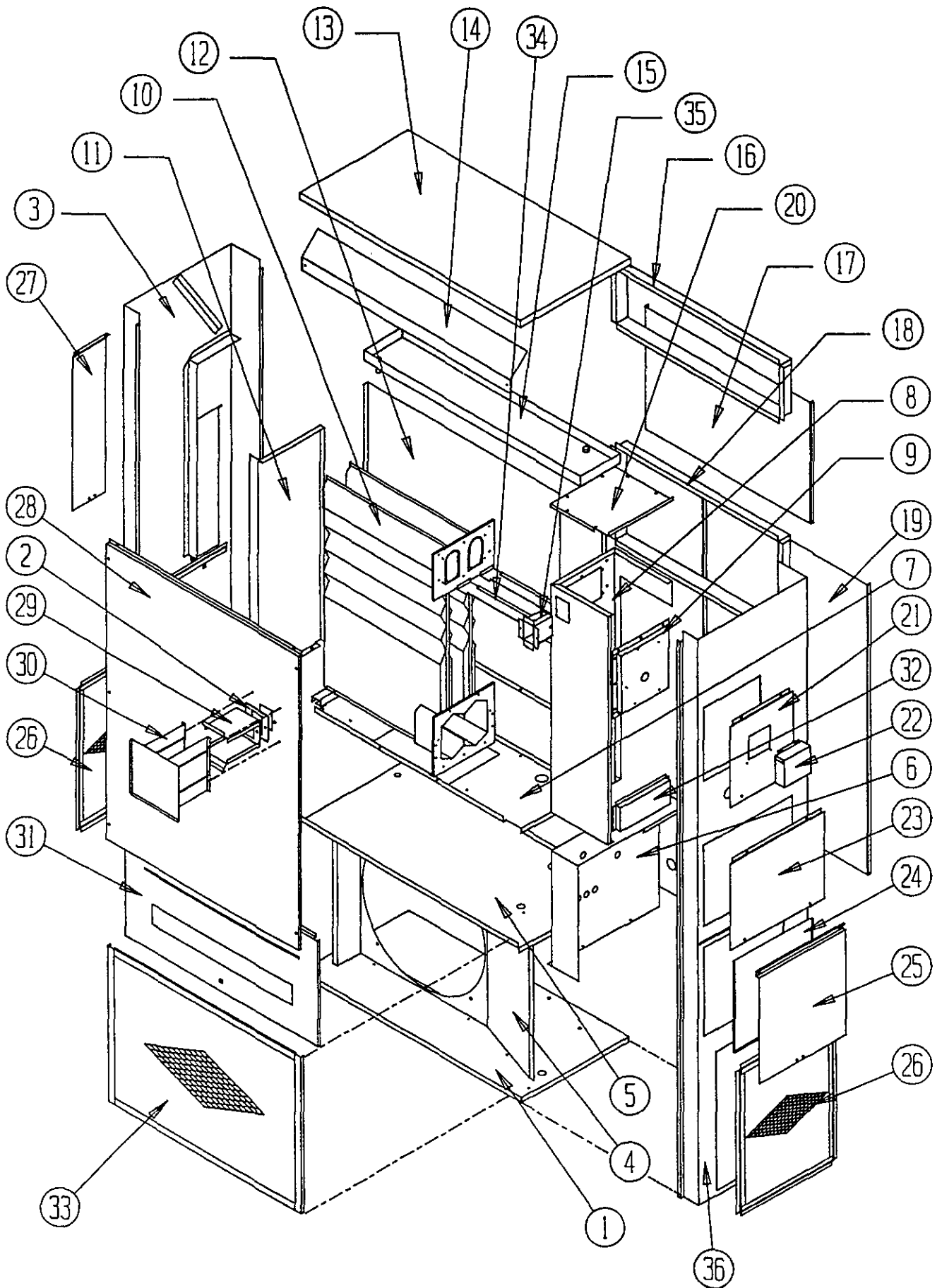
1 / 88

Part No.	Description	ECW-2A	ECW-3A	ECW-4A
8602-022	Damper Motor	x	x	x
8602-023	Thermistor Sensor	x	x	x
8602-024	Remote Position Pot	x	x	x
8602-025	Enthalpy Control	x	x	x
8602-026	Compressor Lockout Thermostat	x	x	x
8602-027	1K Changeover Relay	x	x	x
8602-028	2K Changeover Relay	x	x	x
8602-029	Filter 16 x 25			
8602-030	Filter 16 x 28			
4074-130	Wiring Diagram	x	x	x

PARTS LIST
HI-BOY COMBINATION GAS/ELECTRIC

Page S1
Date: 8/8/88

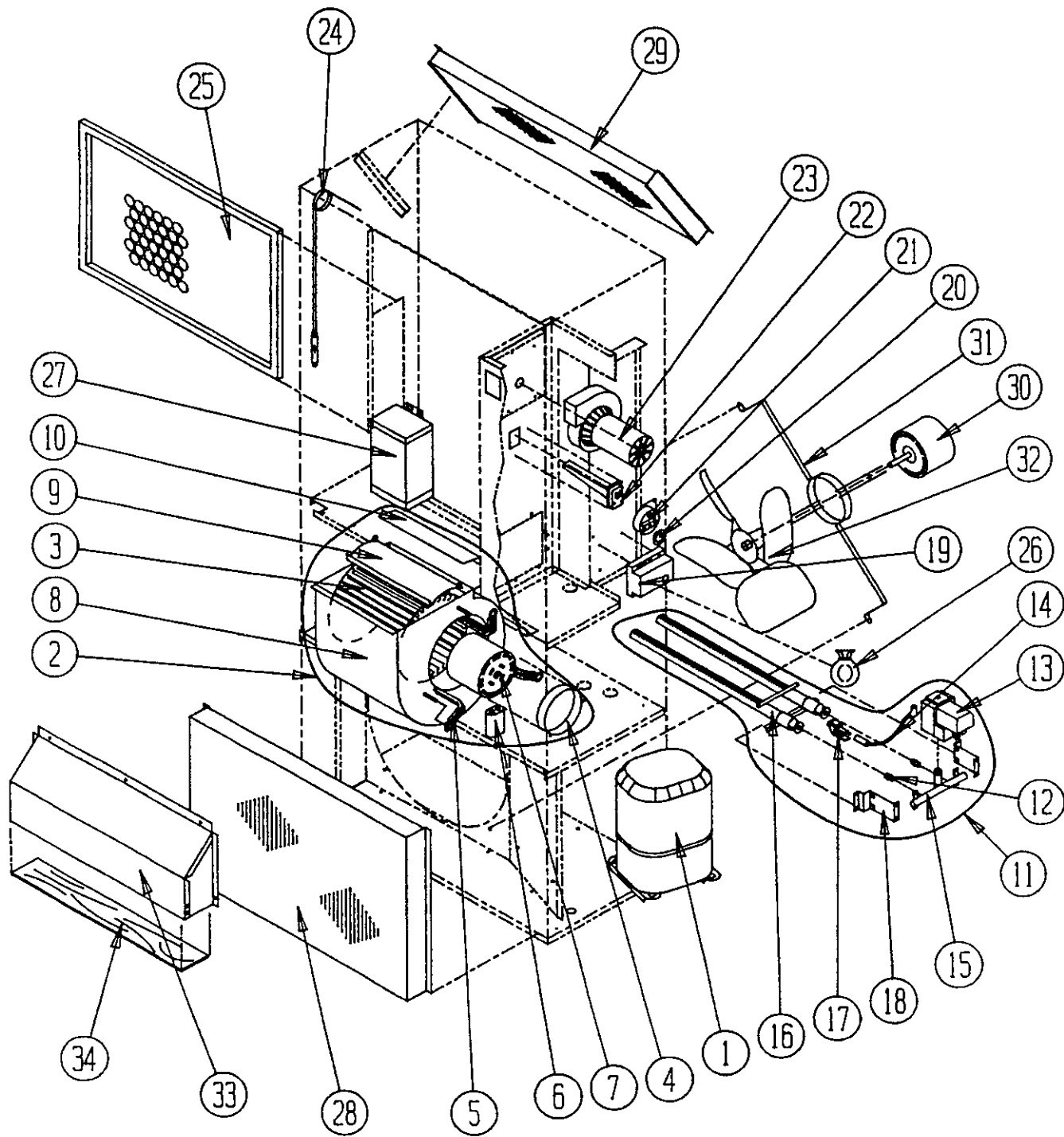
Dwg. No.	Part No.	Description	W A G 3 0 A A 5 4 C	W A G 3 6 A A 5 4 C	W A G 3 6 A B 5 4 C	W A G 3 6 A C 5 4 C	W A G 4 0 A A 5 4 C	W A G 4 0 A B 5 4 C	W A G 4 0 A C 5 4 C
1	127-142	Lower Base	X	X	X	X	X	X	X
2	1921-017	Vent Term. Gasket	X	X	X	X	X	X	X
3	501-179	Left Side Assembly	X	X	X	X	X	X	X
4	124-016	Fan Shroud	X	X	X	X	X	X	X
5	520-108	Condenser Partition	X	X	X	X	X	X	X
6	Control Panel	(See Control Panel Assembly Drawing and Parts List)							
7	127-143	Blower Base	X	X	X	X	X	X	X
8	520-110	Heat Exchanger Partition	X	X	X	X	X	X	X
9	913-0018	Flue Collector Box Assembly	X	X	X	X	X	X	X
10	171-152	Heat Exchanger Assembly	X	X	X	X	X	X	X
11	520-111	Side Partition Assembly	X	X	X	X	X	X	X
12	520-109	Vertical Partition	X	X	X	X	X	X	X
13	506-107	Top	X	X	X	X	X	X	X
14	134-096	Air Baffle	X	X	X	X	X	X	X
15	123-067	Water Pan Assembly	X	X	X	X	X	X	X
16	111-025	Outlet Air Frame	X	X	X	X	X	X	X
17	508-056	Upper Back	X	X	X	X	X	X	X
18	111-018	Inlet Air Frame	X	X	X	X	X	X	X
19	508-069	Lower Back Assembly	X	X	X	X	X	X	X
20	506-108	Heat Exchanger Part. Top	X	X	X	X	X	X	X
21	552-138	Induced Blower Door	X	X	X	X	X	X	X
22	134-097	Induced Blower Hood	X	X	X	X	X	X	X
23	152-139	Burner Door	X	X	X	X	X	X	X
24	132-076	Inner Control Cover	X	X			X		
24	132-077	Inner Control Cover			X			X	
24	132-078	Inner Control Cover				X			X
25	152-136	Outer Control Cover	X	X	X	X	X	X	X
26	119-020	Side Condenser Grille	2	2	2	2	2	2	2
27	552-137	Filter Access	X	X	X	X	X	X	X
28	514-062	Upper Front	X	X	X	X	X	X	X
29	168-029	Inner Vent Term	X	X	X	X	X	X	X
30	169-030	Outer Vent Term	X	X	X	X	X	X	X
31	514-063	Lower Front	X	X	X	X	X	X	X
32	168-003	Secondary Air Baffle	X	X	X	X	X	X	X
33	119-003	Front Condenser Grille	X	X	X	X	X	X	X
34	168-002	Flue Baffle	2	2	2	2	2	2	2
35	169-026	Flue Transition	X	X	X	X	X	X	X
36	501-178	Right Side Assembly	X	X	X	X	X	X	X



PARTS LIST
HI-BOY COMBINATION GAS/ELECTRIC

Page: S3
Date: 4/12/88

Item	Part No.	Description	W A G 3 O A A 5 4 C	W A G 3 O A A 5 4 C	W A G 3 O A B 5 4 C	W A G 3 O A C 5 4 C	W A G 4 O A A 5 4 C	W A G 4 O A B 5 4 C	W A G 4 O A C 5 4 C
1	8000-099	Compressor	X						
1	8000-055	Compressor		X					
1	8000-056	Compressor			X				
1	8000-057	Compressor				X			
1	8000-063	Compressor					X		
1	8000-064	Compressor						X	
1	8000-065	Compressor							X
2	900-080	Blower Assembly (Complete)	X	X	X	X	X	X	X
3	5152-015	Blower Wheel	X	X	X	X	X	X	X
4	8200-033	Motor Mount Band	X	X	X	X	X	X	X
5	8200-034	Motor Mount Arm	3	3	3	3	3	3	3
6	8552-002	Capacitor	X	X	X	X	X	X	X
7	8105-031	Blower Motor	X	X	X	X	X	X	X
8	151-064	Blower Housing	X	X	X	X	X	X	X
9	144-088	Diffuser	X	X	X	X	X	X	X
10	104-752	Blower Seal	X	X	X	X	X	X	X
11	901-0072	Burner Assembly (Complete)	X	X	X	X	X	X	X
12	9010-043	High Rate Orifice (Nat. #36)	2	2	2	2	2	2	2
13	5651-065	Gas Valve	X	X	X	X	X	X	X
14	8600-008	Ignition Wire	X	X	X	X	X	X	X
15	5818-023	Burner Manifold	X	X	X	X	X	X	X
16	9010-036	Burner (2 Cell)	X	X	X	X	X	X	X
17	8554-009	Pilot Burner	X	X	X	X	X	X	X
18	112-0079	Manifold Bracket	2	2	2	2	2	2	2
19	5651-060	Ignition Module	X	X	X	X	X	X	X
20	5451-015	Rubber Grommet	X	X	X	X	X	X	X
21	8406-039	Pressure Switch	X	X	X	X	X	X	X
22	8402-052	Limit Control	X	X	X	X	X	X	X
23	8109-002	Induced Draft Motor	X	X	X	X	X	X	X
24	800-0128	Capillary Assembly	X						
24	800-0129	Capillary Assembly		X	X	X			
24	800-0130	Capillary Assembly					X	X	X
25	7004-016	Air Filter	X	X	X	X	X	X	X
26	400-0027	Low Rate Orifice Kit (Nat. #40)	X	X	X	X	X	X	X
27	8407-003	460V Transformer				X			X
28	5051-035	Condenser Coil	X						
28	5051-054	Condenser Coil		X	X	X	X	X	X
29	5060-037	Evaporator Coil	X						
29	5060-050	Evaporator Coil		X	X	X	X	X	X
30	8105-019	Condenser Motor	X						
30	8105-034	Condenser Motor		X	X	X	X	X	X
31	8200-037	Fan Motor Mount	X	X	X	X	X	X	X
32	5151-038	Fan Blade	X						
32	5151-028	Fan Blade		X	X	X	X	X	X
33	913-0020	Fresh Air Damper Assembly	X	X	X	X	X	X	X
34	7003-017	Air Filter	X	X	X	X	X	X	X



WAG 30-40

PARTS LIST
CONTROL PANEL

Page: S5
Date: 3/30/89

Dwg. No.	Part No.	Description	W	W	W	W	W	W	W
			A	A	A	A	A	A	A
			G	G	G	G	G	G	G
			3	3	3	3	4	4	4
			0	6	6	6	0	0	0
			A	A	A	A	A	A	A
			A	A	B	C	A	B	C
			5	5	5	5	5	5	5
			4	4	4	4	4	4	4
			C	C	C	C	C	C	C
1	8201-053	Blower Control	X	X	X	X	X	X	X
2	8401-007	Contactor Coil	X	X			X		
2	8401-002	Contactor Coil			X	X		X	X
3	8407-034	Transformer	X	X	X	X	X	X	X
4	8615-009	Circuit Breaker	X						
4	8615-014	Circuit Breaker		X					
4	8615-018	Circuit Breaker			X				
4	8615-023	Circuit Breaker				X			
4	8615-015	Circuit Breaker					X		
4	8615-019	Circuit Breaker						X	
4	8615-024	Circuit Breaker							X
5	8201-008	Outdoor Fan Relay				X			X
6	8552-002	Fan Capacitor	X						
6	8552-005	Fan Capacitor		X	X	X	X	X	X
7	8552-032	Compressor Capacitor	X						
7	8552-035	Compressor Capacitor		X					
7	8552-030	Compressor Capacitor					X		
8		Low Voltage Kit	<---Field Installed---						
9		Compressor Anti Cycle Relay	<---Field Installed---						
	4085-110	Wiring Diagram	X	X			X		
	4085-210	Wiring Diagram			X			X	
	4085-310	Wiring Diagram				X			X

