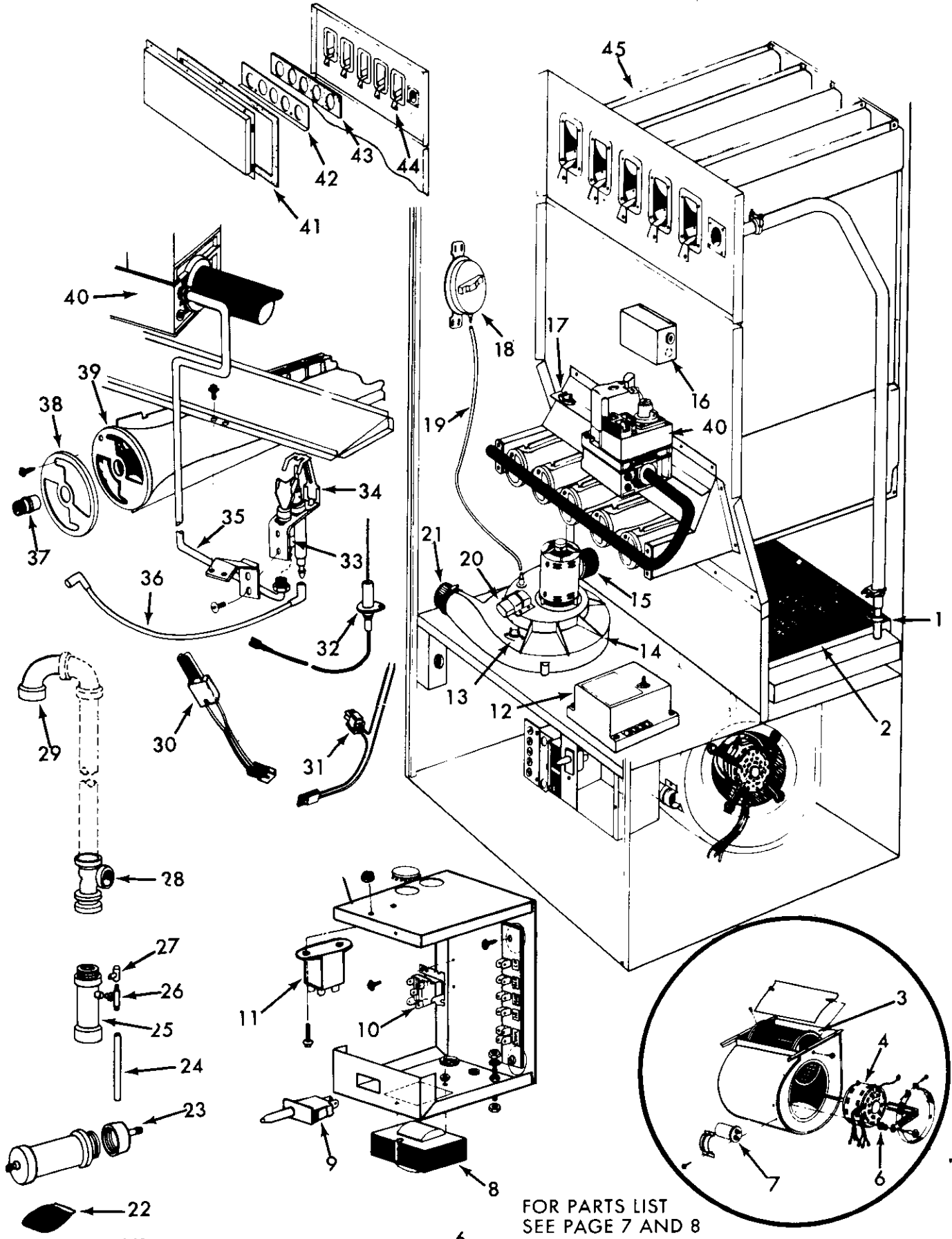


GAS FURNACE - ALL MODELS FUNCTIONAL REPLACEMENT PARTS



FOR PARTS LIST
SEE PAGE 7 AND 8

Functional Replacement Parts

REPLACEMENT PART SUPPLIED WILL BE CURRENT ACTIVE PART.
FOR PARTS NOT LISTED CONSULT PLACE OF PURCHASE.

ALL MODELS
XH050D36AN
XH050D36BL
XH075D42AN
XH075D42BL
XH100D48AN
XH100D48BL
XH125D60AN
XH125D60BL

KEY NO.	DESCRIPTION	REPLACEMENT PART NUMBER	MODEL NUMBER/QUANTITY REQUIRED											
			ALL MODELS	XH050D36AN	XH050D36BL	XH075D42AN	XH075D42BL	XH100D48AN	XH100D48BL	XH125D60AN	XH125D60BL			
1	O-Ring	9044-182	1											
2	Coil, Condenser	1002702		1	1	1	1							
		1002703						1	1					
		1002704									1	1		
3	Wheel, Blower	9044-175		1	1									
		9044-176				1	1	1	1					
		9044-177										1	1	
4	Motor, Blower 1/2H.P. 4SP/PSC	9044-169		1	1									
	3/4H.P. 4SP/PSC	9044-170				1	1	1	1					
	3/4H.P. LG 4SP/PSC	9044-240										1	1	
5	Kit, Motor (Includes No. 6)	9044-168		1	1	1	1	1	1					
		9044-172										1	1	
6	Grommet, Motor Mount	9044-173		3	3	3	3	3	3			4	4	
7	Capacitor, 7.5MFD., 370V.,	8552-004		1	1									
	10MFD., 370V.,	8552-005				1	1	1	1					
	15MFD., 370V.,	9D44-174										1	1	
8	Transformer	9044-228	1											
9	Switch, Interlock	9044-229	1											
10	Relay, DPDT	9044-231	1											
11	Relay, DPST	9044-230	1											
12	Module, 24V., (Nat.)	9044-215		1		1		1		1				
	(L.P.)	1001346				1		1		1			1	
13	Switch, Limit	9044-224		1	1									
		9044-225				1	1							
		1003174						1	1					
		9044-226										1	1	
14	Blower, Exhaust	1002564		1	1	1	1							
		1003181						1	1					
		1002564										1	1	
15	Coupling	9044-223	1											
16	Control, Fan and Limit	9044-232	1											
17	Switch, Limit	9044-224	1											
18	Switch, Pressure	9044-243		1	1									
		9044-244				1	1							
		9044-246						1	1					
		9044-245										1	1	
19	Tube, Sensor	9044-258		1	1	1	1					1	1	
		1004317						1	1					
20	Capacitor, 5MFD., 370V.,	8552-002	1											
21	Coupling, Hose	9044-227	1											
22	Neutralizer (Optional)	9044-192	1											
23	Kit, Neutralizer Tubing (Optional)	9044-193	1											
24	Tubing, 5/8 "O.D. X 1/2" I.D. (Optional)	-----	1											
25	Trap	9044-194	1											
26	Tee, 1/2" Male	9044-195	1											
27	Tee, 1/2" Union	9044-196	1											
28	Tee, 2" (Includes Float #1000887)	1000892	1											
29	Cap, Vent	9044-198	1											
30	Ignitor, Hot Surface <i>9044-265</i>	1001344				1		1		1			1	
31	Harness, Wire	1003360				1		1		1			1	
32	Sensor, Flame	1001358				1		1		1			1	
33	Orifice, Pilot (.018) (Nat.)	9044-112		1		1		1		1			1	
34	Burner, Pilot (Nat.) (With Orifice)	9044-107		1		1		1		1			1	
35	Tube, Pilot	1003784		1		1		1		1			1	
36	Wire, Spark	9044-247		1		1		1		1			1	
37	Orifice, Main Burner (Nat.) #42	9044-190		2		3		4		5			5	
	(L.P.) #54	9044-191			2	3		4		5			5	
38	Shutter, Air	9044-120			2	3		4		5			5	
39	Burner	9044-150		2		3		4		5			5	
		1001479			2	3		4		5			5	
40	Valve, Gas (Nat.)	9044-183		1		1		1		1			1	
	(L.P.)	1002700			1	1		1		1			1	

Functional Replacement Parts

REPLACEMENT PART SUPPLIED WILL BE CURRENT ACTIVE PART.
FOR PARTS NOT LISTED CONSULT PLACE OF PURCHASE.

ALL MODELS
XH050D36AN
XH050D36BL
XH075D42AN
XH075D42BL
XH100D48AN
XH100D48BL
XH125D60AN
XH125D60BL

KEY NO.	DESCRIPTION	REPLACEMENT PART NUMBER	MODEL NUMBER/QUANTITY REQUIRED								
41	Gasket, Collector Box	9044-250	1	1	1	1		1	1		
		9044-200									
		9044-201								1	1
42	Plate, Restrictor	9044-251	1	1							
		9044-252			1	1					
		9044-253					1	1			
		9044-205							1	1	
43	Gasket, Restrictor Plate	9044-206	1	1						1	1
		9044-207			1	1					
		9044-208					1	1			
		9044-209							1	1	
44	Baffle, Flue	9044-210	2	2	3	3	4	4	5	5	
45	Exchanger, Heat	1002289	1	1							
		1002291			1	1					
		1002293					1	1			
		1002295								1	1
	Filter, Air (16" X 25" X 1")	7003-004	1	1	1	1	1	1	1	1	
	(24" X 25" X 1")	9044-259								1	1
	Manual, Installation	1000764	1								
	Manual, Homeowners	1000765	1								
	Manual, Technical Support	1003922	1								
	PARTS NOT ILLUSTRATED										

FOR PARTS ILLUSTRATION
SEE PAGE 6