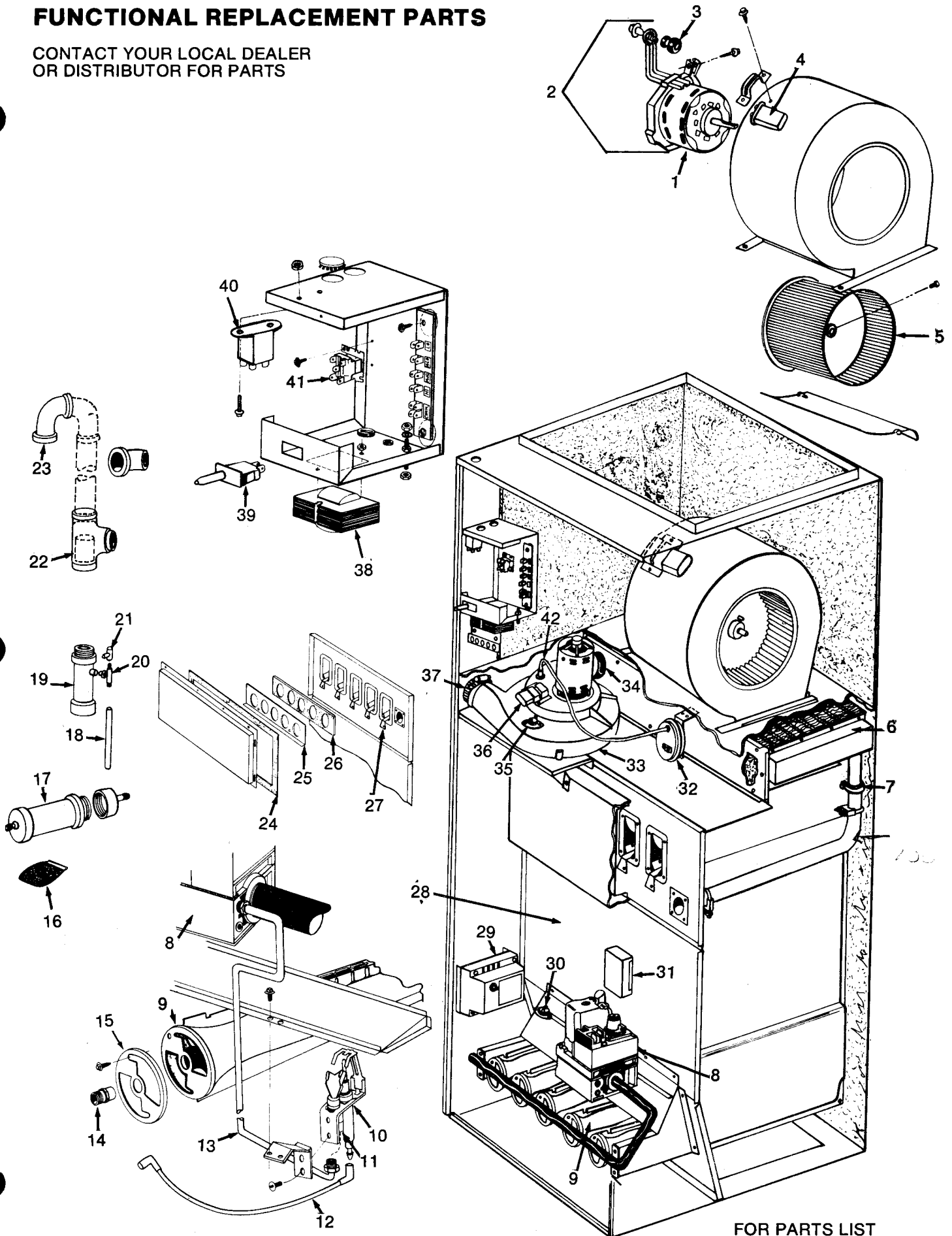


FUNCTIONAL REPLACEMENT PARTS

CONTACT YOUR LOCAL DEALER
OR DISTRIBUTOR FOR PARTS



FOR PARTS LIST
SEE PAGE 6 AND 7

Functional Replacement Parts

REPLACEMENT PART SUPPLIED WILL BE CURRENT ACTIVE PART.
FOR PARTS NOT LISTED CONSULT PLACE OF PURCHASE.

XC075D36AN	XC075D36AL	XC100D48AN	XC100D48AL	XC125D60AN	XC125D60AL
------------	------------	------------	------------	------------	------------

KEY NO.	DESCRIPTION	REPLACEMENT PART NUMBER	MODEL NUMBER/QUANTITY REQUIRED					
1	Motor, Blower 1/2H.P. 4SP/PSC	9044-169	1	1				
	3/4H.P. SM. 4SP/PSC	9044-170	-	-	1	1		
	3/4H.P. LG. 4SP/PSC	9044-171	-	-	-	-	1	1
2	Assembly, Motor Mount (Includes Key No. 3)	9044-168	1	1	1	1		
		9044-172	-	-	-	-	1	1
3	Grommet, Blower	9044-173	3	3	3	3	4	4
4	Capacitor, 7.5MFD., 370V., 10MFD., 370V., 15MFD., 370V.	8552-004	1	1				
		8552-005	-	-	1	1		
		9044-174	-	-	-	-	1	1
5	Wheel, Blower	9044-175	1	1				
		9044-176	-	-	1	1		
		9044-177	-	-	-	-	1	1
6	Coil, Condenser	9044-179	1	1				
		9044-180	-	-	1	1		
		9044-181	-	-	-	-	1	1
7	O-Ring	9044-182	1	1	1	1	1	1
8	Valve, Gas (Nat.) (L.P.)	9044-183	1	-	1	-	1	-
		9044-184	-	1	-	1	-	1
9	Burner	9044-150	3	3	4	4	5	5
10	Pilot/Igniter/Sensor (Nat. Gas) (L.P. Gas)	9044-107	1	-	1	-	1	-
		9044-108	-	1	-	1	-	1
11	Orifice, Pilot (.018) (Nat.) (.016) (L.P.)	9044-112	1	-	1	-	1	-
		9044-113	-	1	-	1	-	1
12	Wire, Spark	9044-186	1	1	1	1	1	1
13	Tube, Pilot	9044-187	1	1				
		9044-188	-	-	1	1	1	1
14	Orifice, Main Burner (Nat.) (No. 42) (L.P.) (No. 54)	9044-190	3	-	4	-	5	-
		9044-191	-	3	-	4	-	5
		9044-120	1	1	1	1	1	1
15	Shutter, Air	9044-192	1	1	1	1	1	1
16	Neutralizer (Optional)	9044-193	1	1	1	1	1	1
17	Kit, Neutralizer Tubing (Optional)	-----	1	1	1	1	1	1
18	Tubing, 5/8" O.D. X 1/2" I.D. Optional	9044-194	1	1	1	1	1	1
19	Trap	9044-195	1	1	1	1	1	1
20	Tee, 1/2" Male	9044-196	1	1	1	1	1	1
21	Tee, 1/2" Union	9044-197	1	1	1	1	1	1
22	Tee, 2" (Includes Float #1000887)	9044-198	1	1	1	1	1	1
23	Cap, Vent	9044-199	1	1				
24	Gasket, Collector Box	9044-200	-	-	1	1		
		9044-201	-	-	-	-	1	1
25	Plate, Restrictor	9044-203	1	1				
		9044-204	-	-	1	1		
		9044-205	-	-	-	-	1	1
26	Gasket, Restrictor Plate	9044-207	1	1				
		9044-208	-	-	1	1		
		9044-209	-	-	-	-	1	1
27	Baffle, Flue	9044-210	3	3	4	4	5	5
28	Exchanger, Heat	9044-212	1	1				
		9044-213	-	-	1	1		
		9044-214	-	-	-	-	1	1
29	Module, Control 25V., (Nat.) (L.P.)	9044-215	1	-	1	-	1	-
		9044-216	-	1	-	1	-	1
30	Switch, Limit	9044-217	1	1	1	1	1	1
31	Control, Fan and Limit	9044-233	1	1	1	1		
		9044-236	-	-	-	-	1	1
32	Switch, Pressure	9044-219	1	1				
		9044-220	-	-	1	1		
		9044-221	-	-	-	-	1	1
33	Blower, Exhaust	9044-222	1	1	1	1	1	1
34	Coupling	9044-223	1	1	1	1	1	1
35	Switch, Limit	9044-225	1	1	1	1		

CONTINUED ON PAGE 7

Functional Replacement Parts

REPLACEMENT PART SUPPLIED WILL BE CURRENT ACTIVE PART.
FOR PARTS NOT LISTED CONSULT PLACE OF PURCHASE.

XC075D36AN

XC075D36AL

XC100D48AN

XC100D48AL

XC125D60AN

XC125D60AL

KEY NO.	DESCRIPTION	REPLACEMENT PART NUMBER	MODEL NUMBER/QUANTITY REQUIRED					
			XC075D36AN	XC075D36AL	XC100D48AN	XC100D48AL	XC125D60AN	XC125D60AL
36	Capacitor, 5MFD., 370V.,	8552-002	1	1	1	1	1	1
37	Coupling, No Hub Band	9044-227	1	1	1	1	1	1
38	Transformer	9044-228	1	1	1	1	1	1
39	Switch, Interlock	9044-229	1	1	1	1	1	1
40	Relay, DPST	9044-230	1	1	1	1	1	1
41	Relay, DPDT	9044-231	1	1	1	1	1	1
	Filter, Air (15" x 20" x 1")	7003-003	2	2	2	2	2	2
	Warranty F1081	F1081	1	1	1	1	1	1
	Manual, Homeowners Information	1000765	1	1	1	1	1	1
	Manual, Installation	1000763	1	1	1	1	1	1
	Manual, Technical Support	1002669	1	1	1	1	1	1
	PART NOT ILLUSTRATED		FOR PARTS ILLUSTRATION SEE PAGE 5					