

---

# Replacement Parts Manual

# Upflow / Horizontal Oil Furnace

**Model: FUS175D60A**

---

## General Notes

- Revised and/or additional pages may be issued from time to time.
- A complete and current manual consists of pages shown in the following contents section.

## Important

- Contact the installing and/or local Bard distributor for all parts requirements. Make sure you have the complete model and serial number available from the unit rating plates.

## Contents

Description	Page
<b>Cabinet Components</b>	
• Exploded View .....	1
• Usage List .....	2
<b>Heat Exchanger and Blower Assemblies</b>	
• Exploded View .....	3
• Usage Lists .....	4
<b>Burner Components</b>	
• Exploded View .....	5
• Usage List .....	6

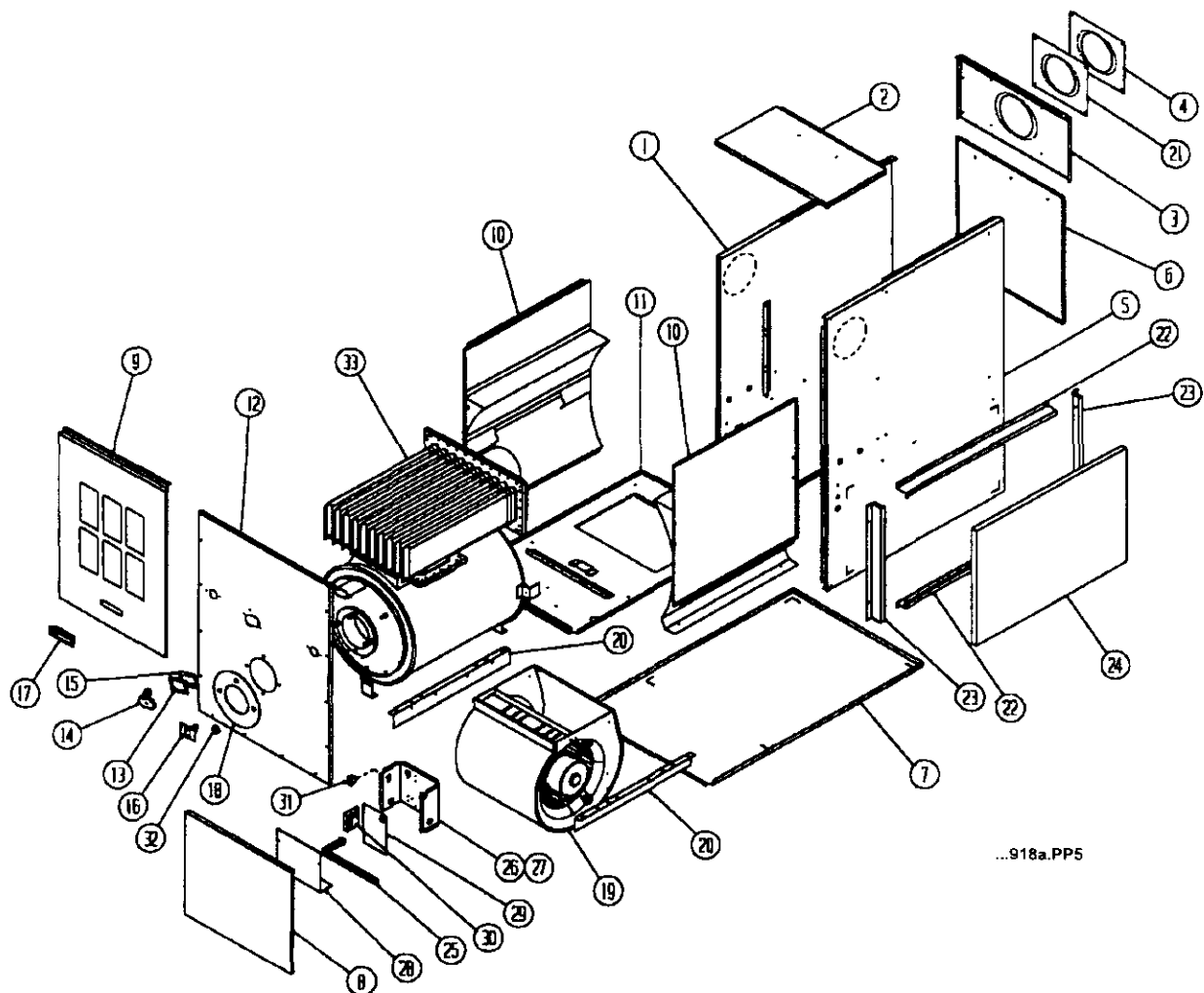


**BARD MANUFACTURING COMPANY**  
Bryan, Ohio 43506

*Since 1914...Moving ahead, just as planned.*


Manual: 2110-918  
File: Tab III  
Date: 08/21/96

# Cabinet Components



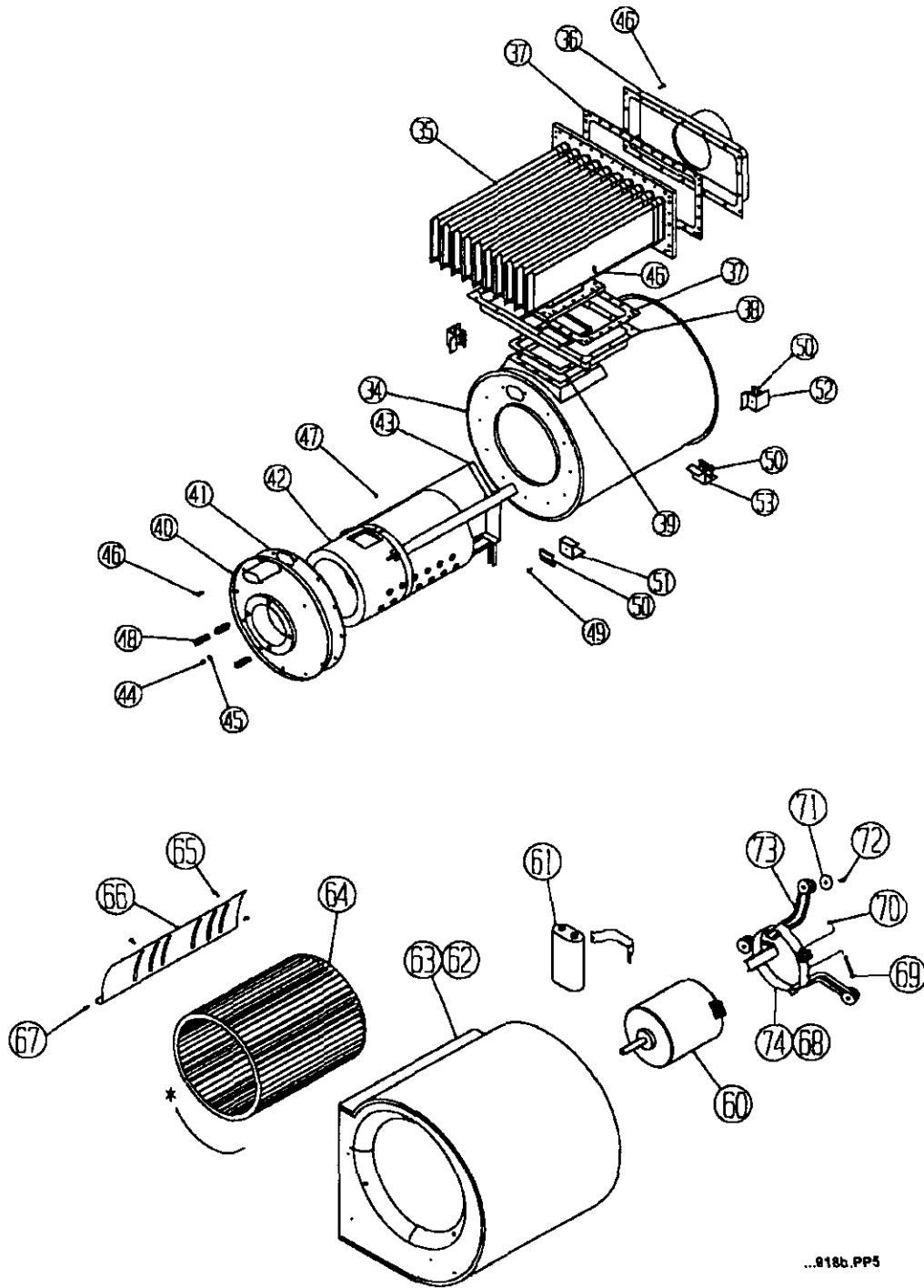
...918a.PP5

# Cabinet Components

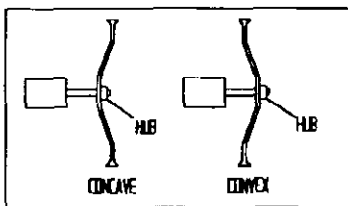
Drawing No.	Part No.	Description	FUS1750J560A
1	9048-128	Left Side Panel (Includes No. 10)	X
2	9048-129	Top Panel	X
3	9048-130	Back Top Panel	X
4	9048-131	Rosette, Flue Outlet	X
5	9048-132	Right Side Panel (Includes No. 10)	X
6	9048-133	Back Bottom Panel	X
7	9048-134	Bottom Panel	X
8	9048-135	Blower Door	X
9	9048-136	Front Door	X
10	9048-137	Side Shield	2
11	9048-138	Partition Panel	X
12	9048-139	Intermediate Panel	X
13	9048-140	Rosette Observation Tube	X
14	9048-141	Observation Door	X
15	9048-142	Gasket, Rosette Observation Tube	X
16	9048-143	Limit Control (150) w/Insulator	2
17	9048-144	Door Handle	X
18	9048-145	Burner Mounting Gasket	X
19	9048-146	Blower Assembly with 3/4 HP PSC Motor	X
20	9048-147	Blower Leg	2
21	9048-148	Gasket, Rosette Flue Outlet	X
22	9048-149	Filter Top and Bottom Panel	2
23	9048-150	Filter Rear and Access Panel	2
23	9048-151	Filter Rear and Access Panel	2
24	9048-152	Filter	X
25	9048-153	Wire Harness	X
26	9048-154	Control Assembly (Includes Nos. 27 - 31)	X
27	9048-155	Control Box	X
28	9048-156	Cover, Control Box	X
29	9048-157	 Control, Fan Timer	X
30	9048-158	Transformer, 40VA	X
31	9048-159	Continuous Low Speed Fan Switch	X
33	9048-262	Heat Exchanger (Includes Nos. 34-53)	X

NOTE: Items shown in exploded views and not listed are standard hardware items available in the field.

# Heat Exchanger and Blower Assemblies



...918b.PP5



\* CLOCKWISE WHEEL ROTATION AS DETERMINED BY VIEWING HUB SIDE

# Heat Exchanger and Blower Assemblies

## Heat Exchanger Assembly

Drawing No.	Part No.	Description	FUS175D60A
34	#	Heat-X Primary Drum	X
35	#	Heat-X Secondary Tube Section	X
36	9048-163	Flue Box	X
37	9048-164	Gasket, Tube Plate	2
38	#	Box, Drum Collector	X
39	#	Gasket, Drum Outlet	X
40	9048-167	Bottom Cover Plate	X
41	9048-168	Gasket, Bottom Cover	X
42	9048-263	Combustion Chamber	X
43	9048-170	Band, Chamber Mounting	X
48	9048-171	Stud, Burner Mount	3
50	9048-172	Leg Clamp	4
51	9048-173	Bottom Front Leg	X
52	9048-174	Side Leg	2
53	9048-175	Bottom Rear Leg	X
54	9048-176	Draft Regulator (Not Shown)	X

NOTE: Items shown in exploded views and not listed are standard hardware items available in the field.  
 # - Included in item 33, Heat-X Assembly

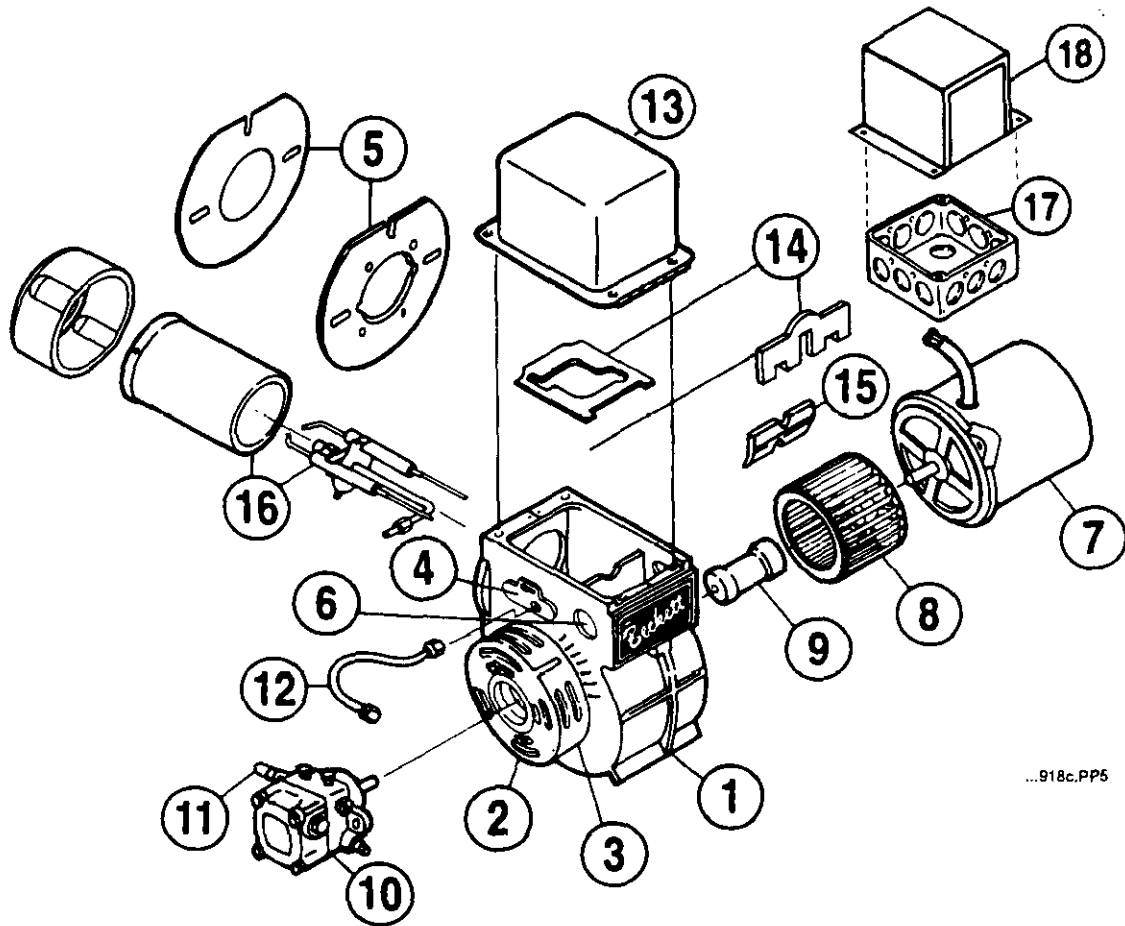
## Blower Assembly

Drawing No.	Part No.	Description	FUS175D60A
60	9048-177	Motor, 3/4 PSC 3 Speed Direct Drive	X
61	9048-178	15.0 MFCDC Capacitor w/Boot and Clamp	X
62	9048-179	Blower w/Legs and Motor Mount 12 x 12	X
63	9048-180	Blower Housing 12 x 12	X
64	9048-181	Blower Wheel 12 x 12 Concave 1/2" Bore	X
66	9048-182	Cutoff 12 x 12	X
68	9048-183	Belly Band Motor Mount 12" Blower	X
73	9048-184	Motor Mount Arm 12" Blower	3
74	9048-185	Motor Mount Band	X

NOTE: Items shown in exploded views and not listed are standard hardware items available in the field.

# Burner Components

---



...918c.PP5

# Burner Components

FUS175D560A

Drawing No.	Bard Part No.	Beckett Part No.	Description	
1		5877	Burner Housing Assembly	X
*2		3709	Air Shutter	X
		4198	Retaining Screw	X
*3		5151501	Air Band	X
		4198	Screw	X
		4150	Nut	X
*4		3493	Escutcheon Plate	X
		4292	Screw	X
5		31492BK	Flange	X
		31428	Flange, Gasket	X
6		2139	Hole Plug	X
7	9022-013	2456	Drive Motor	X
		4189	Mounting Screws	X
8	9022-045	2999	Blower Wheel (Use Only RWB Replacement)	X
9	9022-011	2454	Coupling	X
10	9022-041	2583	Fuel Unit -- Two Stage (Suntec)	X
	4189	-- Mounting Screws		X
11	9022-009	2256	Pump Nozzle Port Fitting	X
12	9022-008	5636	Connector Tube Assembly	X
13	9022-068	5878	Ignition Transformer Assembly	X
			CONSISTS OF THE FOLLOWING:	
	9022-057	2442U	Ignition Transformer	X
		4217	Higning Screws	X
		4292	Holding Screws	X
	9022-066	51304	Transformer Gasket Kit	X
14	9022-066	51304	Transformer Gasket Kit	X
*15		5880	Low Firing Baffle	X
16	9022-074	AF67XOFS	Air Tube Combination	X
			CONSISTS OF THE FOLLOWING:	
	9022-060	3294073BK	Air Tube	X
	9022-061	NL67XD	Nozzle Electrode Assembly	X
	9022-026	F-12	Firing Head	X
	9022-071	51713	Ceramic Heat Shield	X
	9022-017	5780	Electrode Kit	X
17	9022-067	2362	Junction Box	X
18	9022-056	7022U	Primary Relay (R8184G)	X

\* These items included in 5877 Burner Housing Assembly.

When ordering parts -- state Beckett burner model, part description and part number.

