

# REPLACEMENT PARTS MANUAL

## OIL FIRED FURNACE

MODELS: FH085D36C, FH110D48C, FH110D60C

Manual 2110-912

Revision B

Date 10-23-95

Supersedes 12-15-93

\*\*\*\*\*  
\* GENERAL NOTES \*  
\*\*\*\*\*

\*Revised and/or additional pages may be issued from time to time.  
\*A complete and current manual consists of pages dated as shown in the following index.

\*\*\*\*\*  
\*\* INDEX \*\*  
\*\*\*\*\*

<u>Page Description</u>	<u>Page</u>	<u>Date</u>	<u>Supersedes</u>
Cabinet Components--Exploded View	1	7-15-93	
" " --Usage List	2	10-23-95	7-15-93
Functional Components--Exploded View	3	7-15-93	
" " --Usage List	4	12-15-93	7-15-93
Burner Components--Layout	5	7-15-93	
" " --Usage List	6	7-15-93	
Burner/Combustion Chamber Mounting System--Layout	7	7-15-93	
" " " " " --Usage	8	10-23-95	7-15-93

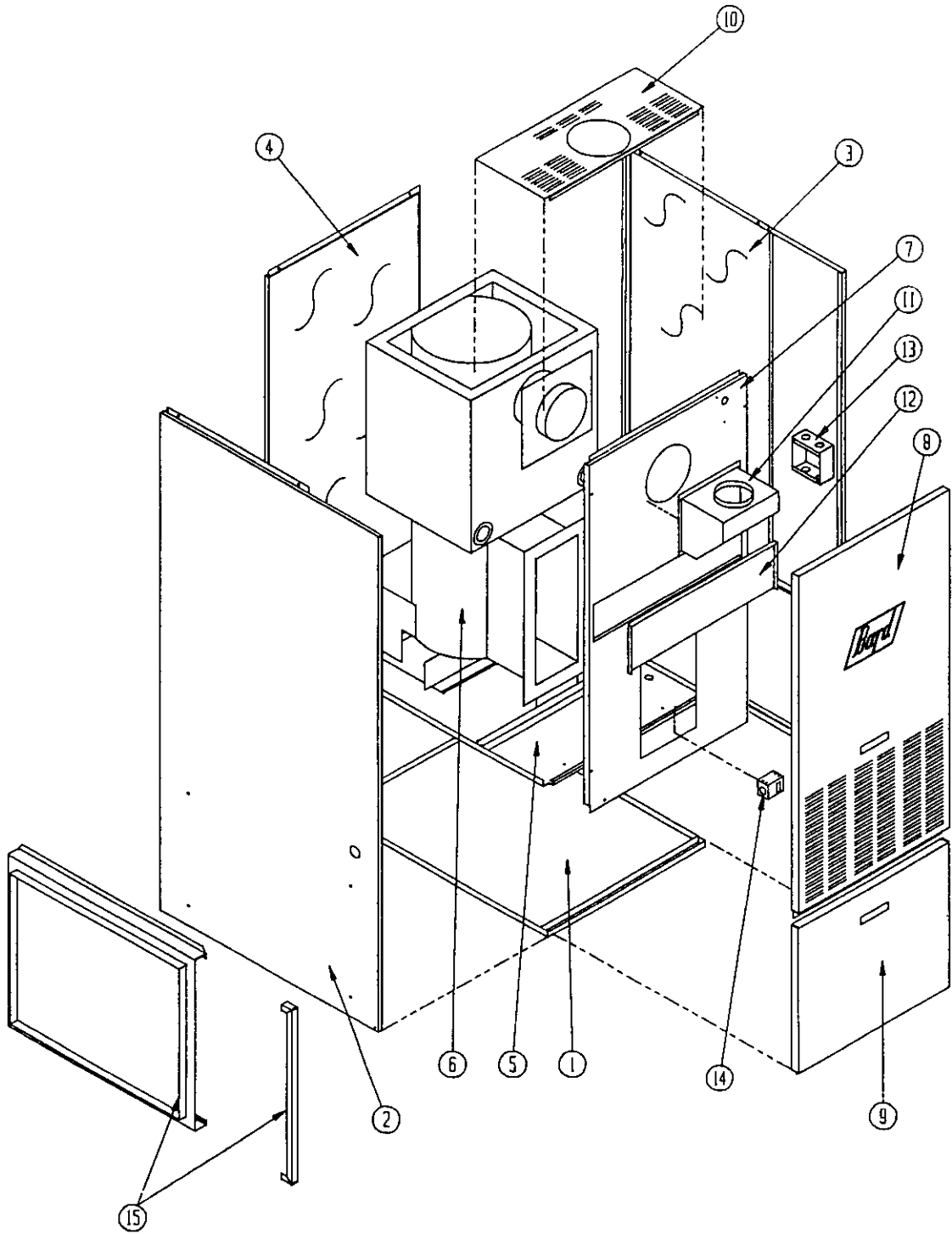
\*\*\*\*\*  
\*\*\* IMPORTANT \*\*\*  
\*\*\*\*\*

Contact the installing and/or local Bard distributor for all parts requirements. Make sure you have the complete model and serial number available from the unit rating plate.

BARD MANUFACTURING COMPANY

BRYAN, OHIO 43506

CABINET COMPONENTS



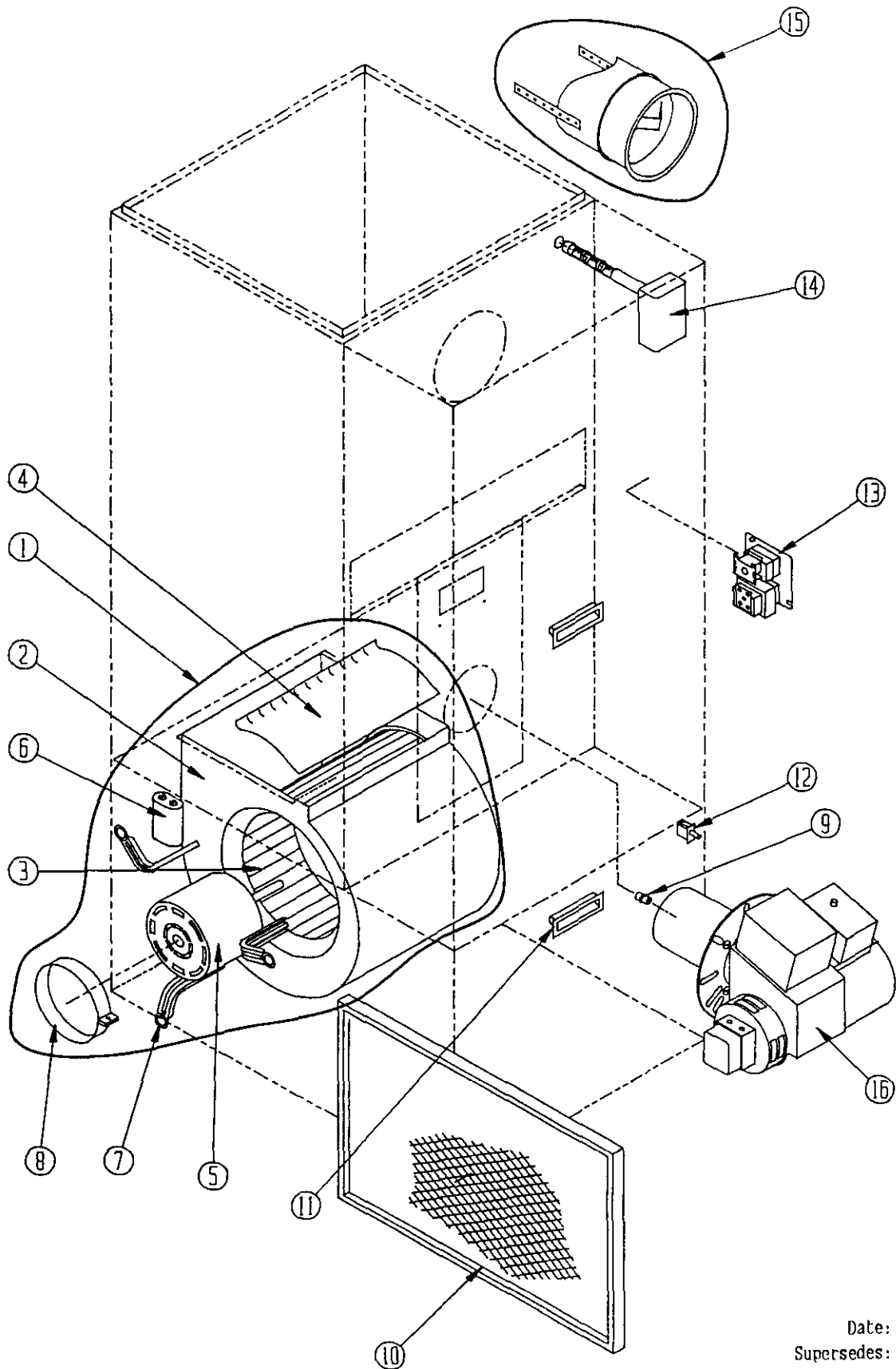
Date: 7-15-93  
Supersedes:

CABINET COMPONENTS

Dwg. No.	Part No.	Description	F B O 8 5 D 3 6 C	F H 1 1 O D 4 8 C	F H 1 1 O D 6 O C
1	127-174	Lower Base	X	X	X
2	S501-239	Left Side (Furnace serial number required)		X	X
2	S501-237	Left Side (Furnace serial number required)	X		
3	S501-238	Right Side		X	X
3	S501-236	Right Side	X		
4	508-077	Back Assembly	X		
4	508-076	Back Assembly		X	X
5	127-224	Blower Base	X		
5	127-225	Blower Base		X	X
6	S171-208	Heat Exchanger Assembly	X		
6	S171-209	Heat Exchanger Assembly		X	X
7	S520-224	Burner Partition	X		
7	S520-225	Burner Partition		X	X
8	S152-180	Burner Door	X		
8	S152-176	Burner Door		X	X
9	S152-155	Blower Door	X	X	X
10	106-138	Top Fill	X	X	X
11	913-0069	Flue Box Assembly	X	X	X
12	542-037	Cleanout Cover Plate	X	X	X
13	116-157	Junction Box	X	X	X
14	112-031	Door Switch Bracket	X	X	X
15	919-0002	Filter Rack W/Door	X	X	
15	919-0003	Filter Rack W/Door			X

Date: 10-23-95  
Supersedes: 7-15-93

FUNCTIONAL COMPONENTS



Date: 7-15-93  
Supersedes:

FUNCTIONAL COMPONENTS

Dwg. No.	Part No.	Description	F H O 8 5 D 3 6 C	F H 1 1 0 D 4 8 C	F H 1 1 0 D 6 0 C
1	900-193	Blower Assembly	x		
1	900-194	Blower Assembly		x	
1	900-195	Blower Assembly			x
2	144-151	Blower Housing Assembly	x		
2	144-152	Blower Housing Assembly		x	
2	5152-050	Blower Housing Assembly (1)			x
3	5152-013	Blower Wheel	x		
3	5152-053	Blower Wheel			x
3	5152-059	Blower Wheel		x	
4	144-127	Diffuser	x		
4	144-129	Diffuser		x	
4	NA	Diffuser (1)			x
5	8105-041	Motor 1/3 HP	x		
5	8106-033	Motor 1/2 HP		x	
5	8107-007	Motor 3/4 HP			x
6	8552-002	Capacitor 5/370 MFD	x		
6	8552-004	Capacitor 7-1/2 /370 MFD		x	
6	8552-026	Capacitor 15/370 MFD			x
7	8200-034	Motor Mount Arm	3	3	
7	8200-035	Motor Mount Arm			3
8	8200-033	Motor Mount Band	x	x	x
9	9011-001	Nozzle .75 GPH 80 degree	x		
9	9011-003	Nozzle 1.00 GPH 80 degree		x	x
10	7003-004	Permanent Filter 16x25x1	x	x	
10	7003-028	Permanent Filter 20x25x1			x
11	1171-025	Door Pull	1	1	1
12	8406-047	Door Switch	x	x	x
13	8201-006	Fan Center--Two Speed	x	x	x
14	8620-081	Fan/Limit Control	x	x	x
15	8601-031	Barometric Damper	x	x	x
16	901-0106	Burner Assembly (Includes nozzle part No. 9011-001)	x		
16	901-0107	Burner Assembly (Includes nozzle part No. 9011-003)		x	x
	4047-112	Wire Diagram	x	x	x

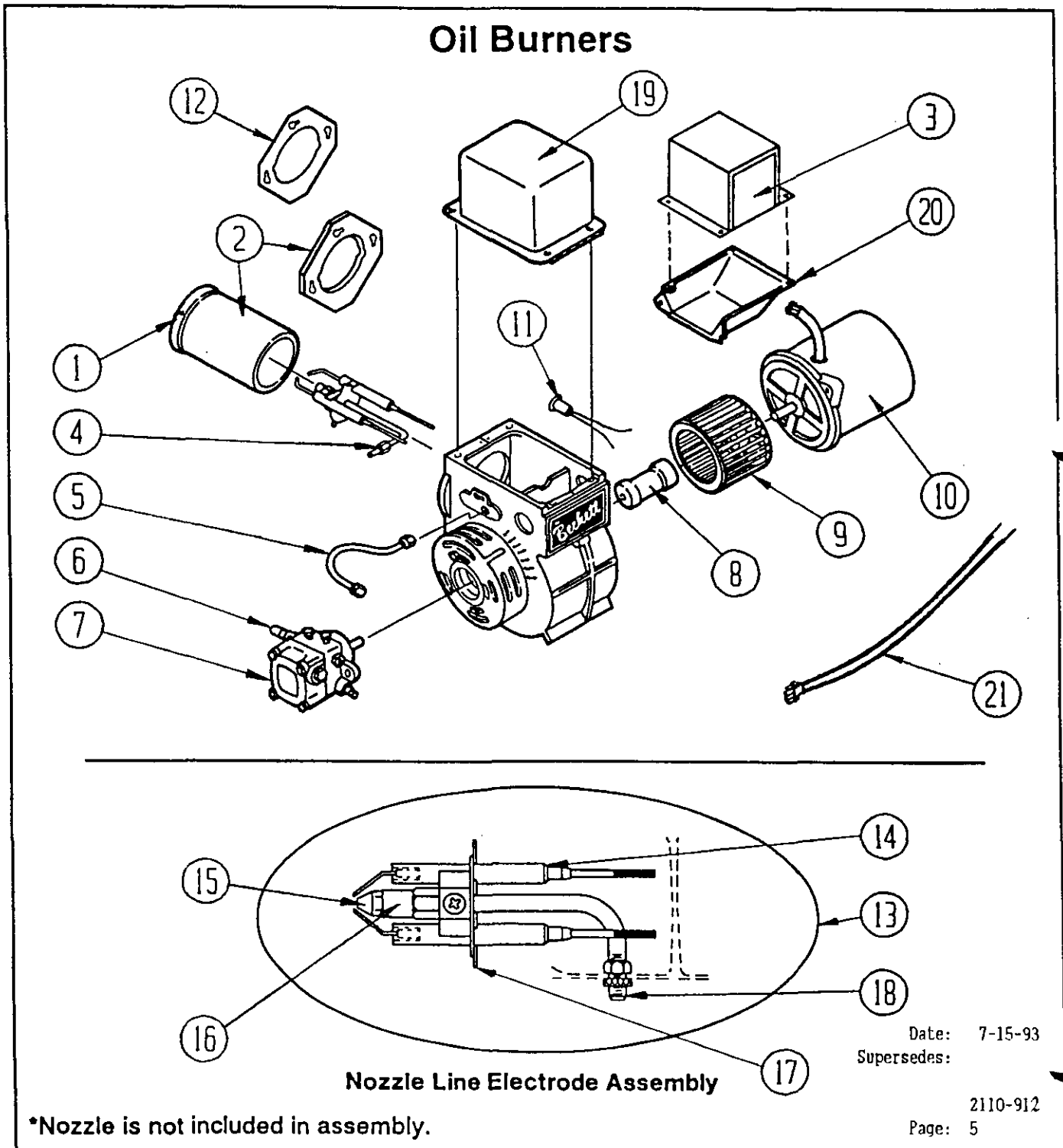
(1) Drawing No. 2 part No. 5152-050 includes housing, diffuser, and blower wheel part No. 5152-053.

Date: 12-15-93  
Supersedes: 7-15-93

2110-912

Page: 4

## Burner Replacement Parts



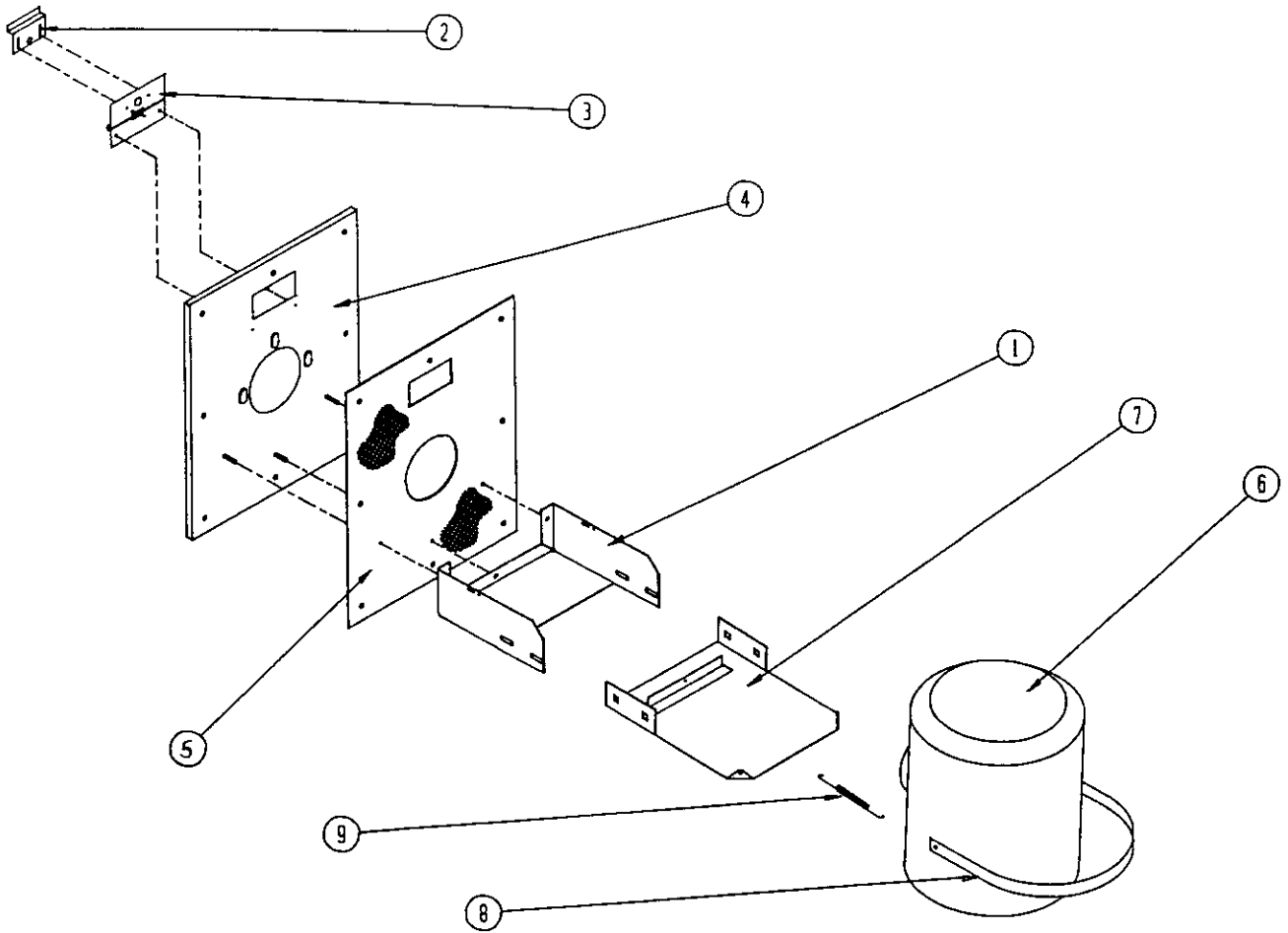
BURNER COMPONENTS

Dwg. No.	Bard Part No.	Supplier Part No.	Description	F H O 8 5 D 3 6 C	F H 1 1 O D 4 8 C	F H 1 1 O D 6 O C
1	9022-003	F3	Head	X	X	X
2	9022-004	51236007BK	Air Tube and Flange Assembly 7-5/8" Insertion	X	X	X
3	9022-056	7022U	Primary Control	X	X	X
4	9022-007	571801	Bulkhead Fitting	X	X	X
5	9022-008	5636	Connector Tube	X	X	X
6	9022-009	2256	Pump Outlet Elbow	X	X	X
7	9022-010	2460U	Pump, Single Stage	X	X	X
8	9022-011	2454	Coupling	X	X	X
9	9022-012	2459U	Blower	X	X	X
10	9022-013	2456U	Motor 1/7 HP 3450 RPM	X	X	X
11	9022-054	7006U	Cad Cell	X	X	X
12	9022-021	3811	Mounting Flange Gasket	X	X	X
13	9022-014	NL90YH	Nozzle Line Electrode Assembly	X	X	X
14	9022-017	5780	Electrode Insulator Assembly	X	X	X
15	9011-001		Nozzle .75 GPH 80 degree A	X		
15	9011-003		Nozzle 1.00 GPH 80 degree A		X	X
16	9022-016	213U	Nozzle Adapter, Single	X	X	X
17	9022-023	3384P	Static Plate 3-3/8"	X	X	X
18	9022-018	3666	Bulkhead Fitting Locknut	X	X	X
19	9022-057	2442U	Ignition Transformer	X	X	X
20	9022-058	5770	Electrical Box Kit	X	X	X
21	9022-055	31838	Power Cord	X	X	X

\* Includes 9022-040 cad cell eye.

Date: 7-15-93  
Supersedes:

BURNER/COMBUSTION CHAMBER MOUNTING SYSTEM



Date: 7-15-93  
Supersedes:

2110-912  
Page: 7



BURNER/COMBUSTION CHAMBER MOUNTING SYSTEM

Dwg. No.	Bard Part No.	Description	F H O 8 5 D 3 6 C	F H 1 1 O D 4 8 C	F H 1 1 O D 6 O C
1	112-159	Combustion Chamber Bracket	X	X	X
2	142-026	Inspection Door Cover Plate	X	X	X
3	142-027	Inspection Door Hinge	X	X	X
4	161-033	Front Plate Assembly	X	X	X
5	1921-026	Front Plate Gasket	X	X	X
6	7090-005	Combustion Chamber	X	X	X
7	S112-160	Bracket Extension	X	X	X
8	140-198	Combustion Chamber Support	X	X	X
9	5401-004	Stainless Steel Spring	X	X	X
-	S173-076	Complete Assembly of All Parts	X	X	X

Date: 10-23-95  
Supersedes: 7-15-93

