

# REPLACEMENT PARTS MANUAL



## OIL FIRED FURNACE MODELS FLR085D36A, FLR110D48A, FLR140D60A

Manual 2110-909

Revision D

Date 12-03-91

Supersedes 9-23-91

\*\*\*\*\*  
\* GENERAL NOTES \*  
\*\*\*\*\*

\*Revised and/or additional pages may be issued from time to time.  
\*A complete and current manual consists of pages dated as shown in the following index.

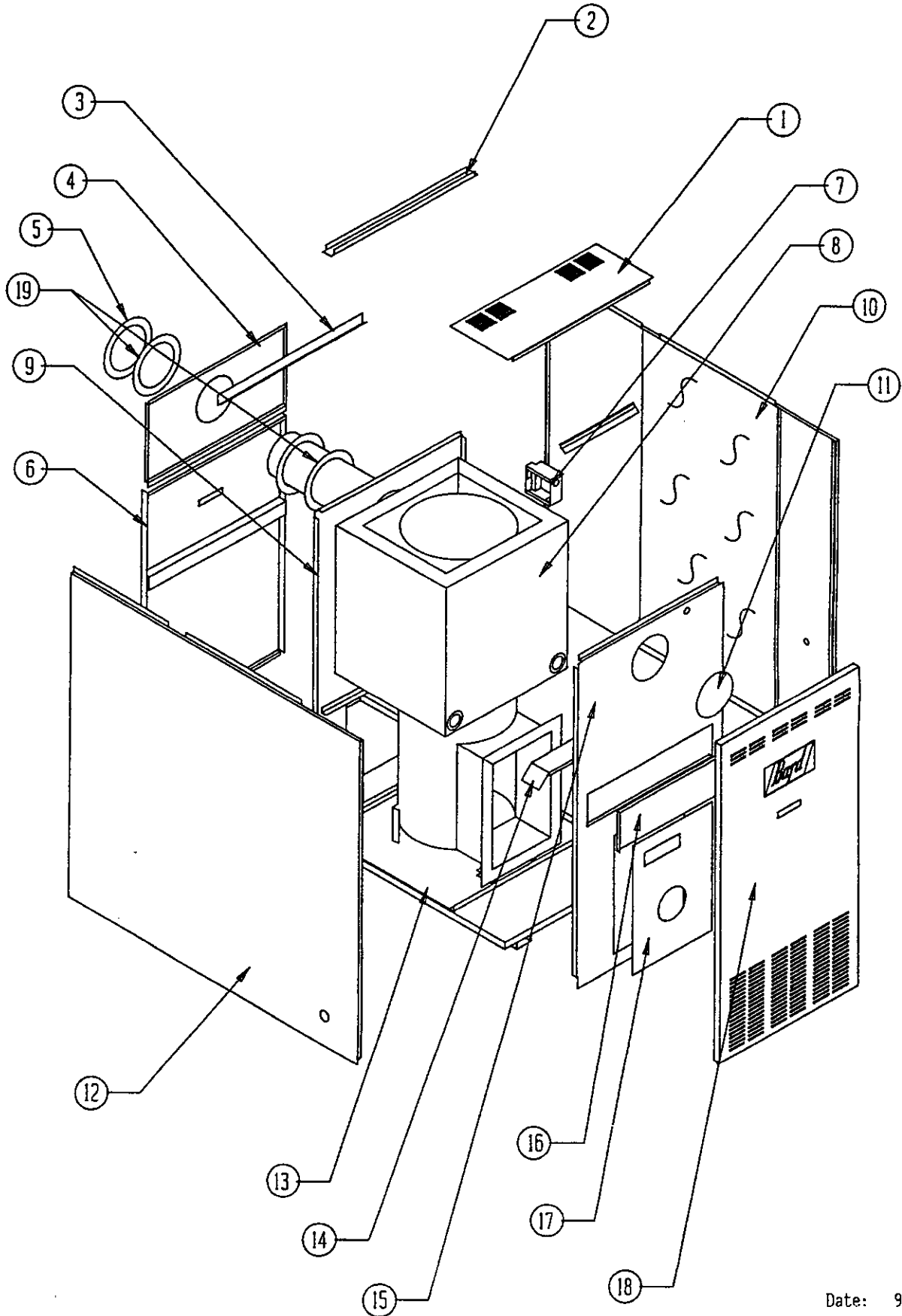
\*\*\*\*\*  
\*\* INDEX \*\*  
\*\*\*\*\*

<u>Page Description</u>	<u>Page</u>	<u>Date</u>	<u>Supersedes</u>
Cabinet Components--Exploded View	1	9-23-91	4-18-90
" " --Usage List	2	9-23-91	1-03-91
Functional Components--Exploded View	3	9-23-91	1-03-91
" " --Usage List	4	1-03-91	4-18-90
Burner Components--Layout	5	12-03-91	4-18-90
" " --Usage List	6	12-03-91	1-03-91

\*\*\*\*\*  
\*\*\* IMPORTANT \*\*\*  
\*\*\*\*\*

Contact the installing and/or local Bard distributor for all parts requirements. Make sure you have the complete model and serial number available from the unit rating plate.

CABINET COMPONENTS



Date: 9-23-91  
Supersedes: 4-18-90

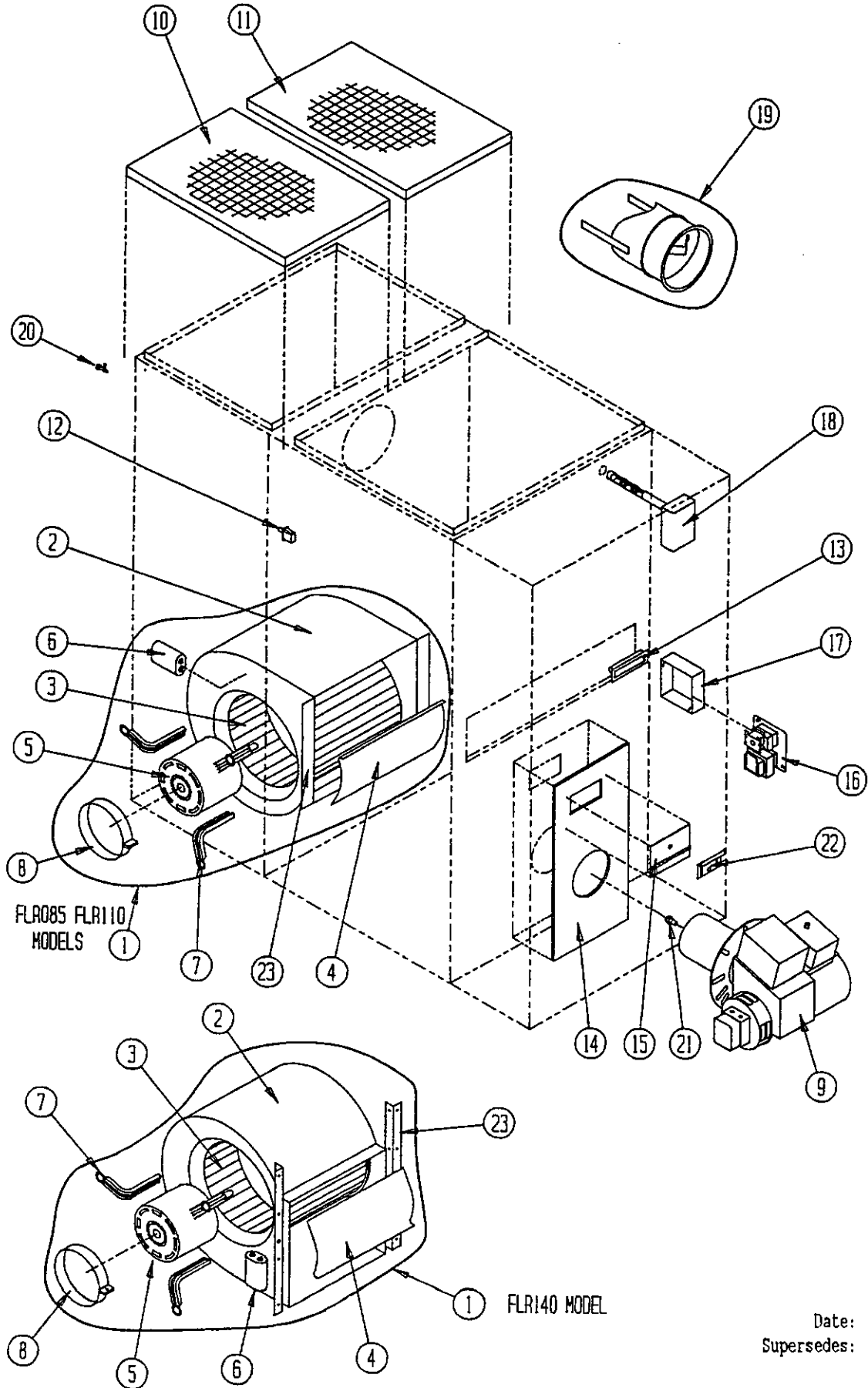
CABINET COMPONENTS

Dwg. No.	Part No.	Description	FLR085D36A	FLR110D48A	FLR140D60A
1	106-126	Top Fill	X	X	
1	106-128	Top Fill			X
2	164-536	Top Channel	X	X	
2	164-537	Top Channel			X
3	104-432	Filter Seal	X	X	
3	140-175	Filter Support			X
4	108-082	Upper Back	X		
4	108-083	Upper Back		X	
4	108-085	Upper Back			X
5	166-007	Smoke Pipe Collar 6"	2	2	2
6	552-183	Blower Door	X	X	
6	552-197	Blower Door			X
7	116-084	Rear Junction Box	X	X	X
8	171-169	Heat Exchanger Assembly (Includes combustion chamber part No. 7090-005) (1)	X		
8	171-170	Heat Exchanger Assembly (Includes combustion chamber part No. 7090-005) (1)		X	
8	171-177	Heat Exchanger Assembly (Includes combustion chamber part No. 7090-003) (1)			X
9	521-154	Blower Partition	X		
9	521-156	Blower Partition		X	
9	521-171	Blower Partition			X
10	501-207	Right Side	X		
10	501-209	Right Side		X	
10	501-222	Right Side			X
11	142-029	Flue Cover	X	X	
11	NA				X
12	501-208	Left Side	X		
12	501-210	Left Side		X	
12	501-223	Left Side			X
13	127-175	Base	X	X	
13	127-180	Base			X
14	168-048	Air Baffle	X		X
14	168-049	Air Baffle		X	
15	520-194	Burner Partition	X		
15	520-195	Burner Partition		X	
15	520-197	Burner Partition			X
16	542-037	Clean Out Cover Plate	X	X	
16	542-038	Clean Out Cover Plate			X
17	161-027	Front Plate Assembly	X	X	
17	161-029	Front Plate Assembly			X
18	152-184	Burner Door	X		
18	152-185	Burner Door		X	
18	152-198	Burner Door			X
19	1921-006	Smoke Pipe Gasket 6"	2	2	2

(1) Combustion chamber part No. 7090-005 and 7090-003 may be ordered separately.

Date: 9-23-91  
Supersedes: 1-03-91

FUNCTIONAL COMPONENTS



Date: 9-23-91  
Supersedes: 1-03-91

2110-909

Page: 3

FUNCTIONAL COMPONENTS

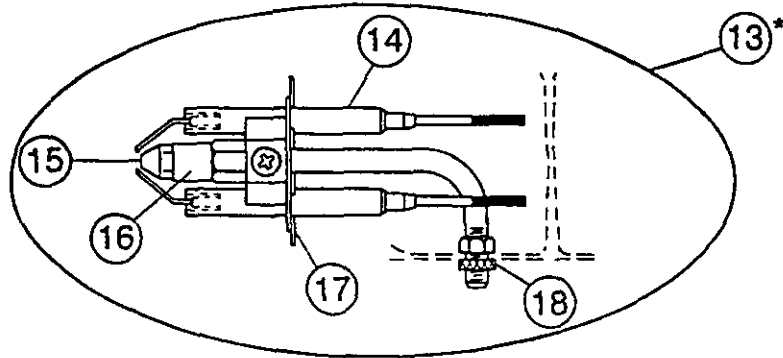
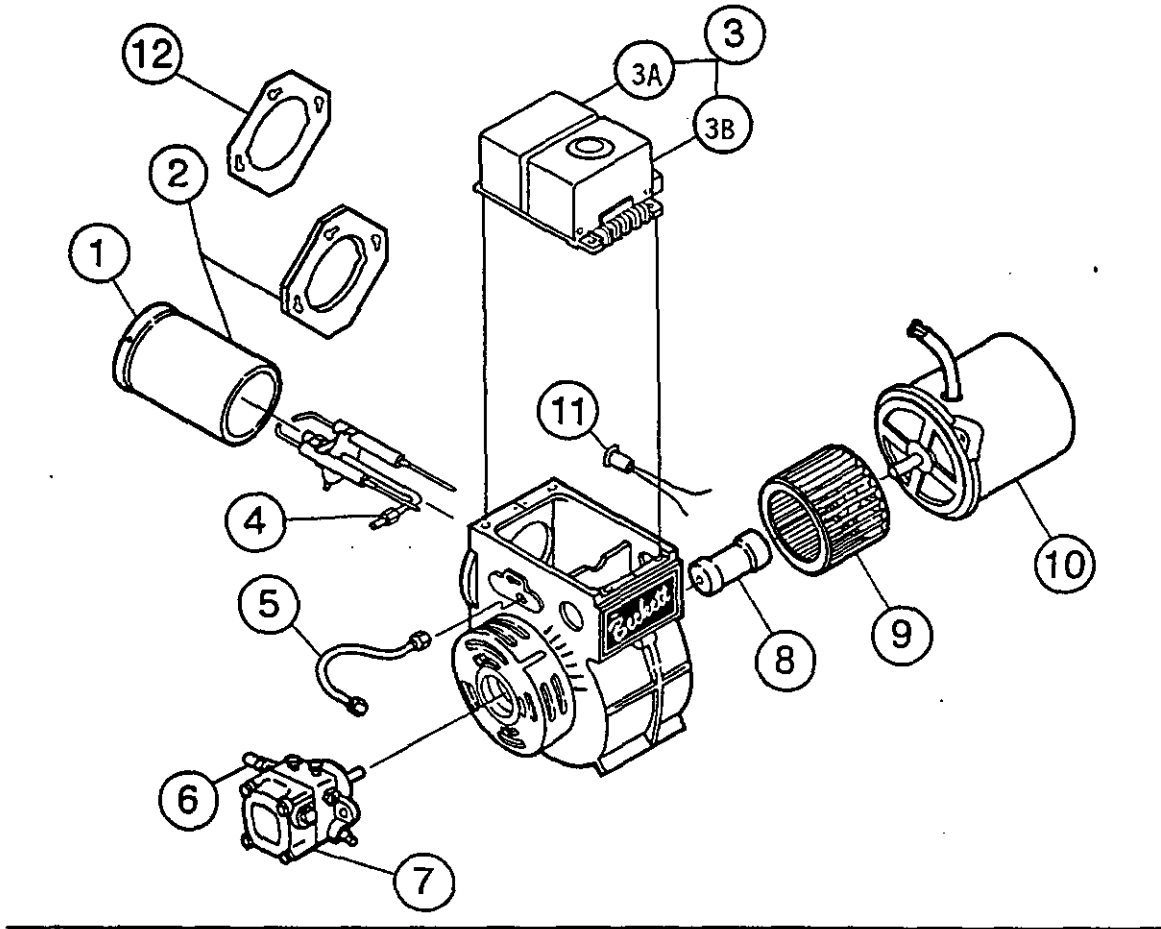
Dwg. No.	Part No.	Description	FLR085D36A	FLR110D48A	FLR140D60A
1	900-054	Blower Assembly			X
1	900-157	Blower Assembly	X		
1	900-158	Blower Assembly		X	
2	151-073	Blower Housing Assembly	X		
2	151-082	Blower Housing Assembly		X	
2	5152-050	Blower Housing Assembly (1)			X
3	5152-014	Blower Wheel	X		
3	5152-053	Blower Wheel			X
3	5152-059	Blower Wheel		X	
4	144-128	Diffuser	X		
4	144-129	Diffuser		X	
4	NA	Diffuser (1)			X
5	8105-036	Motor 1/3 hp ccw	X		
5	8106-018	Motor 1/2 hp cw		X	
5	8107-004	Motor 3/4 hp 115C ccw PSC			X
6	8552-002	Capacitor 5/370	X		
6	8552-004	Capacitor 7.5/370		X	
6	8552-026	Capacitor 15/370			X
7	8200-034	Motor Mount Arm	3	3	
7	8200-035	Motor Mount Arm			3
8	8200-033	Motor Mount Band	X	X	X
9	9020-018	Oil Burner	X	X	
9	9020-019	Oil Burner			X
10	7003-020	Permanent Filter 11.5 x 17 x 1	1		
10	7003-021	Permanent Filter 10 x 20 x 1		1	
10		Not used on 140 model			
11	7003-016	Permanent Filter 13 x 20 x 1		1	2
11	7003-020	Permanent Filter 11.5 x 17 x 1	1		
12	8406-013	Door Switch	X		
12	8406-047	Door Switch		X	X
13	1171-025	Door Pull	2	2	2
14	1921-021	Front Plate Gasket	X	X	
14	1921-022	Front Plate Gasket			X
15	142-027	Inspection Door Hinge	X	X	X
16	8201-006	Fan Center (2 speed relay)	X	X	X
17	8614-001	Front Junction Box	X	X	X
18	8402-042	Fan/Limit Control	X	X	X
19	8601-031	Barometric Damper	X	X	X
20	1171-012	Flush Cabinet Latch	X	X	X
21	9011-001	Nozzle .75 GPH 80 Degree	X		
21	9011-003	Nozzle 1.00 GPH 80 Degree		X	
21	9011-006	Nozzle 1.25 GPH 80 Degree			X
22	142-026	Inspection Door Cover	X	X	X
23	104-783	Blower Angles	2	2	
23	104-794	Blower Angles			2

(1) Balloon No. 2 part No. 5152-050 includes housing, diffuser, and blower wheel part No. 5152-053.

Date: 1-03-91  
Supersedes: 4-18-90

### Burner Replacement Parts

#### Oil Burners



Nozzle Line Electrode Assembly

\*Nozzle is not included in assembly.

Date: 12-03-91  
Supersedes: 4-18-90

2110-909  
Page: 5

BURNER COMPONENTS

Dwg. No.	Bard Part No.	Supplier Part No.	Description	FLR085D36A	FLR110D48A	FLR140D60A
1	9022-003	F3	Head	X	X	
1	9022-034	F4	Head			X
2	9022-019	51236009BK	Air Tube and Flange Assy. 5-1/2" Insertion	X	X	X
3	9022-036	100-02-BK	Primary Control and Ignitor Assembly *	X	X	X
3A	9022-037	14280-SO-S	Interrupted Duty Ignitor Only	X	X	X
3B	9022-038	14290-02-AOS	Primary Control Only	X	X	X
4	9022-007	571801	Bulkhead Fitting	X	X	X
5	9022-008	5636	Connector Tube	X	X	X
6	9022-009	2256	Pump Outlet Elbow	X	X	X
7	9022-010	2460U	Pump, Single Stage	X	X	X
8	9022-011	2454	Coupling	X	X	X
9	9022-012	2459U	Blower	X	X	X
10	9022-013	2456U	Motor 1/7 HP 3450 RPM	X	X	X
11	9022-039	40153-SO-E	Cad Cell Assembly**	X	X	X
	9022-040	14407S	Cad Cell Eye Only	X	X	X
12	9022-024	3616	Mounting Flange Gasket	X	X	X
13	9022-015	NL72YH	Nozzle Line Electrode Assembly	X	X	X
14	9022-017	5780	Electrode Insulator Assembly	X	X	X
15	9011-001		Nozzle .75 GPH 80 degree A	X		
15	9011-003		Nozzle 1.00 GPH 80 degree A		X	
15	9011-006		Nozzle 1.25 GPH 80 degree A			X
16	9022-016	213U	Nozzle Adapter, Single	X	X	X
17	9022-023	3384P	Static Plate 3-3/8"	X	X	
17	9022-035	3383P	Static Plate 2-3/4"			X
18	9022-018	3666	Bulkhead Fitting Locknut	X	X	X

\* Includes 9022-037 interrupted duty ignitor, 9022-038 primary control, and 9022-039 cad cell assembly.

\*\* Includes 9022-040 cad cell eye.

Date: 12-03-91  
Supersedes: 1-03-91

2110-909  
Page: 6

