

REPLACEMENT PARTS MANUAL

OIL FIRED FURNACE MODELS FLR085D36A, FLR110D48A

Manual 2110-909

Revision A

Date 5-18-90

Supersedes 4-18-90

* GENERAL NOTES *

*Revised and/or additional pages may be issued from time to time.
*A complete and current manual consists of pages dated as shown in the following index.

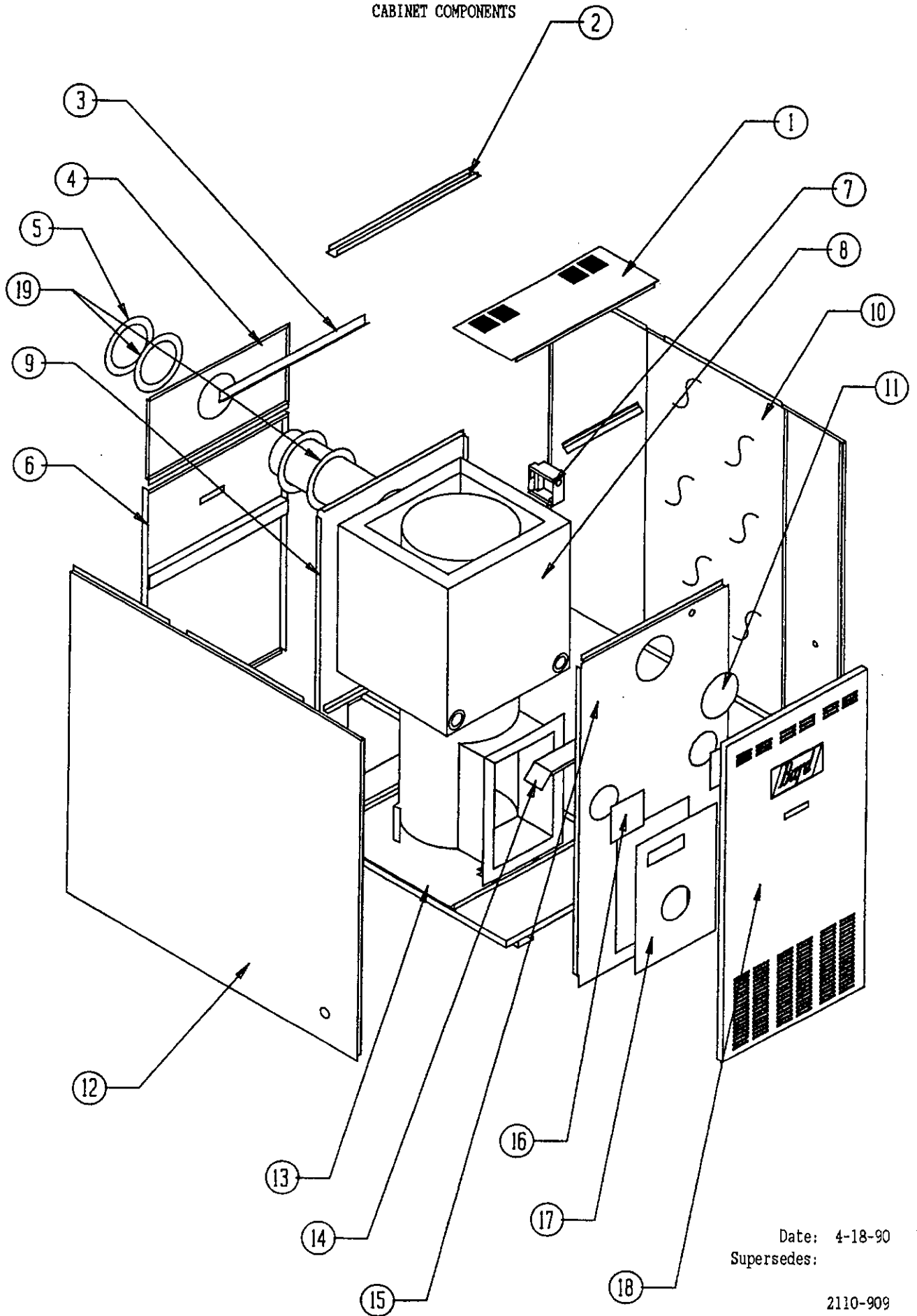
** INDEX **

<u>Page Description</u>	<u>Page</u>	<u>Date</u>	<u>Supersedes</u>
Cabinet Components--Exploded View	1	4-18-90	
" " --Usage List	2	4-18-90	
Functional Components--Exploded View	3	4-18-90	
" " --Usage List	4	4-18-90	
Burner Components--Layout	5	4-18-90	
" " --Usage List	6	5-18-90	4-18-90

*** IMPORTANT ***

Contact the installing and/or local Bard distributor for all parts requirements. Make sure you have the complete model and serial number available from the unit rating plate.

CABINET COMPONENTS



Date: 4-18-90
Supersedes:

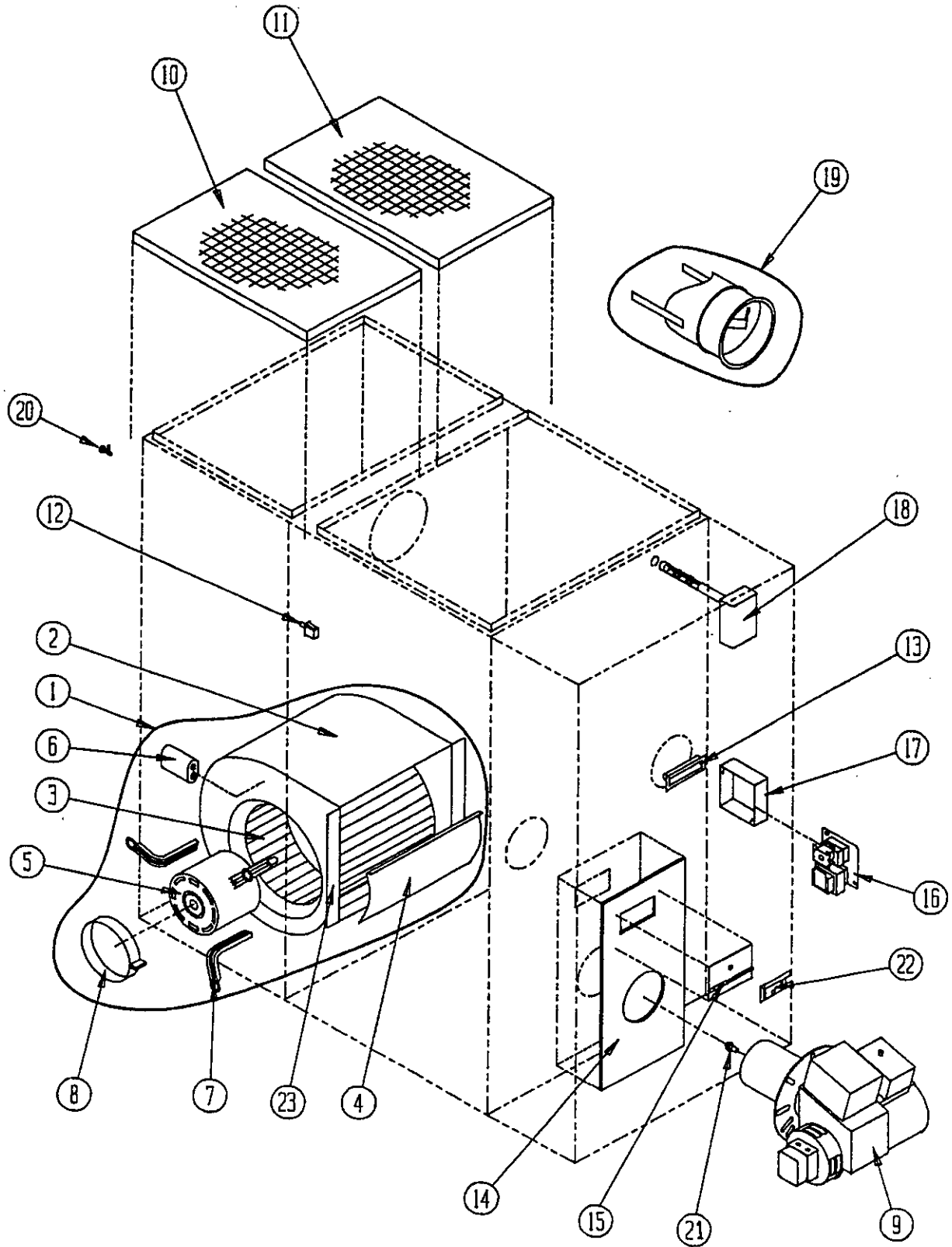
CABINET COMPONENTS

Dwg. No.	Part No.	Description	FLR085D36A	FLR110D48A
1	106-126	Top Fill	X	X
2	164-536	Top Channel	X	X
3	104-432	Filter Seal	X	X
4	108-082	Upper Back	X	
4	108-083	Upper Back		X
5	166-007	Smoke Pipe Collar 6"	2	2
6	552-183	Blower Door	X	X
7	116-084	Rear Junction Box	X	X
8	171-169	Heat Exchanger Assembly (Includes combustion chamber part No. 7090-005) (1)	X	
8	171-170	Heat Exchanger Assembly (Includes combustion chamber part No. 7090-005) (1)		X
9	521-154	Blower Partition	X	
9	521-156	Blower Partition		X
10	501-207	Right Side	X	
10	501-209	Right Side		X
11	142-029	Flue Cover	X	X
12	501-208	Left Side	X	
12	501-210	Left Side		X
13	127-175	Base	X	X
14	168-048	Air Baffle	X	
14	168-049	Air Baffle		X
15	520-153	Burner Partition	X	
15	520-155	Burner Partition		X
16	542-024	Clean Out Cover Plate	2	2
17	161-027	Front Plate Assembly	X	X
18	152-184	Burner Door	X	
18	152-185	Burner Door		X
19	1921-006	Smoke Pipe Gasket 6"	2	2

(1) Combustion chamber part No. 7090-005 may be ordered separately.

Date: 4-18-90
Supersedes:

FUNCTIONAL COMPONENTS



Date: 4-18-90
Supersedes:

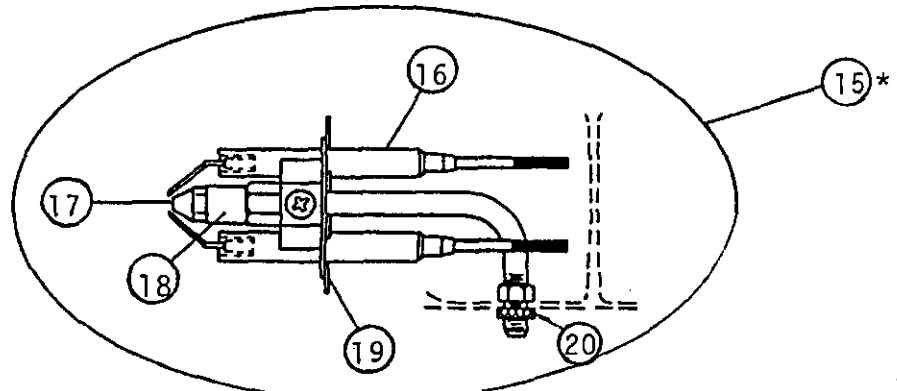
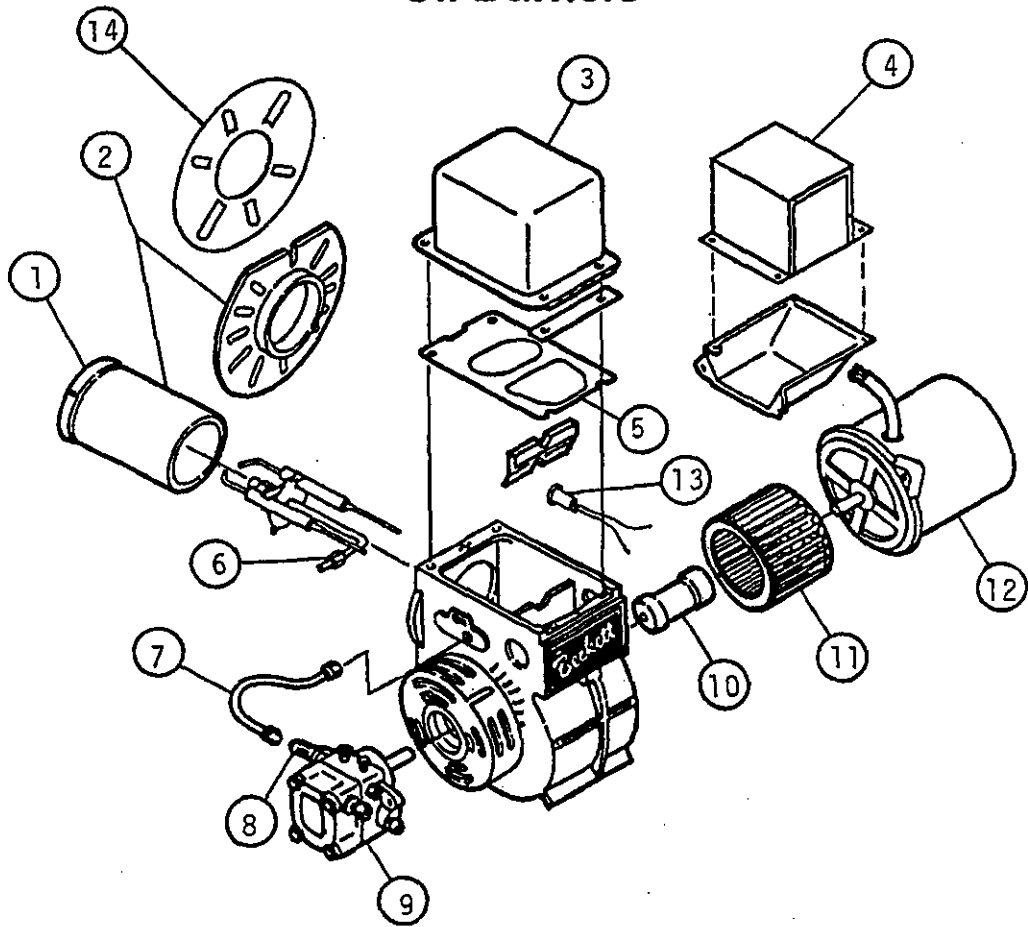
FUNCTIONAL COMPONENTS

Dwg. No.	Part No.	Description	FLR085D36A	FLR110D48A
1	900-157	Blower Assembly	x	
1	900-158	Blower Assembly		x
2	151-073	Blower Housing Assembly	x	
2	151-082	Blower Housing Assembly		x
3	5152-014	Blower Wheel	x	
3	5152-059	Blower Wheel		x
4	144-128	Diffuser	x	
4	144-129	Diffuser		x
5	8105-036	Motor 1/3 hp ccw	x	
5	8106-018	Motor 1/2 hp cw		x
6	8552-002	Capacitor 5/370	x	
6	8552-004	Capacitor 7.5/370		x
7	8200-034	Motor Mount Arm	3	3
8	8200-033	Motor Mount Band	x	x
9	9020-018	Oil Burner	x	x
10	7003-020	Permanent Filter 11.5 x 17 x 1	1	
10	7003-021	Permanent Filter 10 x 20 x 1		1
11	7003-016	Permanent Filter 13 x 20 x 1		1
11	7003-020	Permanent Filter 11.5 x 17 x 1	1	
12	8406-013	Door Switch	x	
12	8406-047	Door Switch		x
13	1171-025	Door Pull	2	2
14	1921-021	Front Plate Gasket	x	x
15	142-027	Inspection Door Hinge	x	x
16	8201-006	Fan Center (2 speed relay)	x	x
17	8614-001	Front Junction Box	x	x
18	8402-042	Fan/Limit Control	x	x
19	8601-031	Barometric Damper	x	x
20	1171-012	Flush Cabinet Latch	x	x
21	9011-001	Nozzle .75 GPH 80 Degree	x	
21	9011-003	Nozzle 1.00 GPH 80 Degree		1
22	142-026	Inspection Door Cover	x	x
23	104-783	Blower Angles	2	2

Date: 4-18-90
Supersedes:

Burner Replacement Parts

Oil Burners



Nozzle Line Electrode Assembly

*Nozzle is not included in assembly.

Date: 4-18-90
Supersedes:

BURNER COMPONENTS

Dwg. No.	Part No.	Beckett Part No.	Description	FLR085D36A	FLR110D48A
1	9022-003	F3	Head	X	X
2	9022-019	51236009BK	Air Tube and Flange Assy. 5-1/2" Insertion	X	X
3	9022-022	5878U	Transformer w/Gasket AFG	X	X
4	9022-005	7296U	Primary Control	X	X
5	9022-006	31405	Transformer Gasket	X	X
6	9022-007	571801	Bulkhead Fitting	X	X
7	9022-008	5636	Connector Tube	X	X
8	9022-009	2256	Pump Outlet Elbow	X	X
9	9022-010	2460U	Pump, Single Stage	X	X
10	9022-011	2454	Coupling	X	X
11	9022-012	2459U	Blower	X	X
12	9022-013	2456U	Motor 1/7 HP 3450 RPM	X	X
13	9022-020	5963001	Cad Cell	X	X
14	9022-024	3616	Mounting Flange Gasket	X	X
15	9022-015	NL72YH	Nozzle Line Electrode Assembly	X	X
16	9022-017	5780	Electrode Insulator Assembly	X	X
17	9011-001		Nozzle .75 GPH 80 degree A	X	
17	9011-003		Nozzle 1.00 GPH 80 degree A		X
18	9022-016	213U	Nozzle Adapter, Single	X	X
19	9022-023	3384P	Static Plate 3-3/8"	X	X
20	9022-018	3666	Bulkhead Fitting Locknut	X	X

Date: 5-18-90
Supersedes: 4-18-90

