

# REPLACEMENT PARTS MANUAL

## OIL FIRED FURNACE MODELS OL95B36A, OL125B48A, OL140B48A, OL196B60A

Manual 2110-905

Revision --

Date 12-21-89

Supersedes

\*\*\*\*\*

\* GENERAL NOTES \*

\*\*\*\*\*

\*Revised and/or additional pages may be issued from time to time.  
\*A complete and current manual consists of pages dated as shown in the following index.

\*\*\*\*\*

\*\* INDEX \*\*

\*\*\*\*\*

<u>Page Description</u>	<u>Page</u>	<u>Date</u>	<u>Supersedes</u>
Functional Components--Exploded View	1	12-21-89	
" " --Usage List	2	12-21-89	
Burner Components --Exploded view	3	12-21-89	
" " --Usage List	4	12-21-89	
Cabinet Components --Usage List	5	12-21-89	

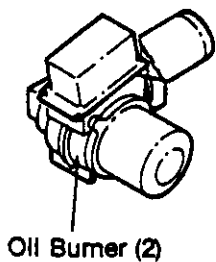
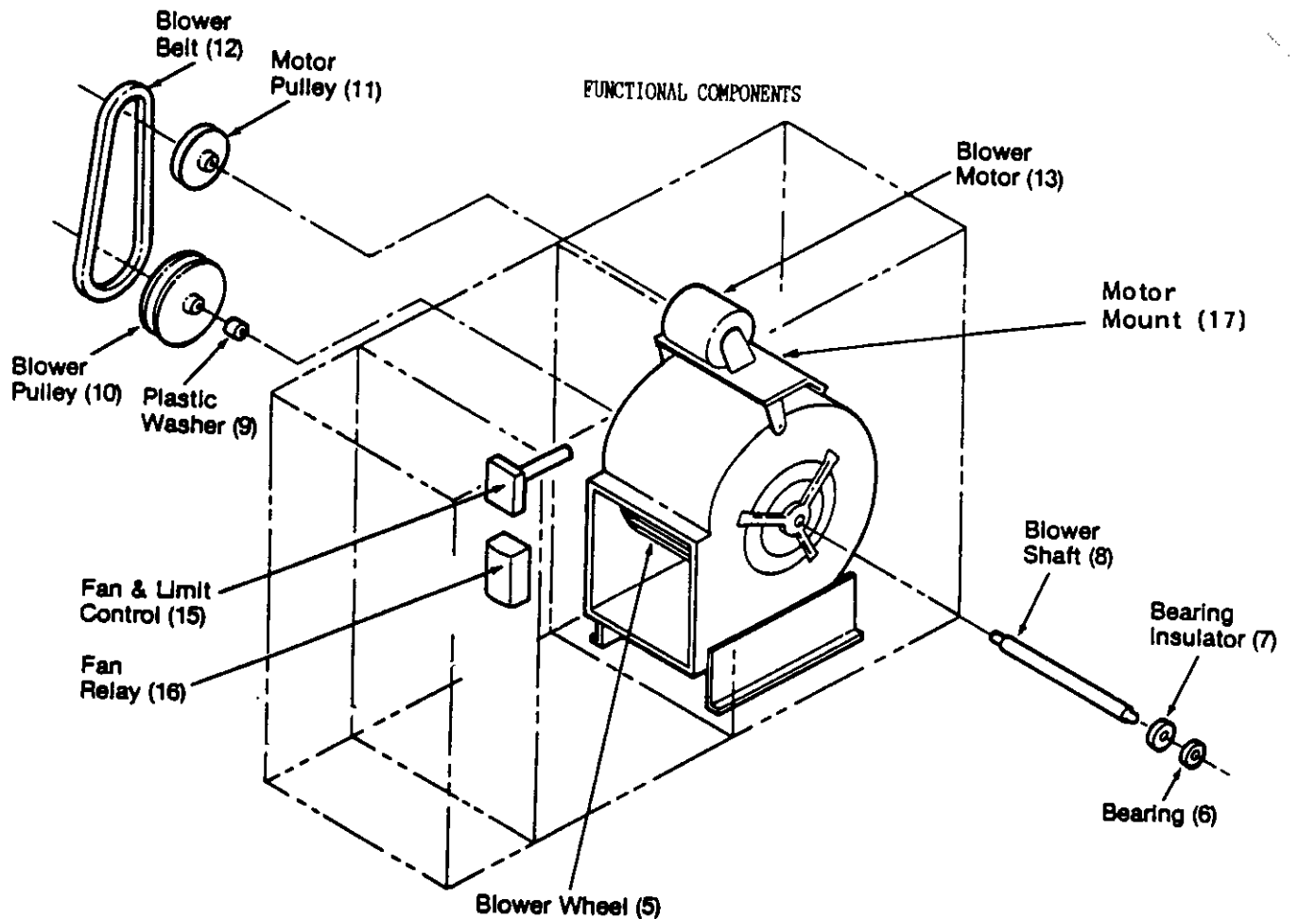
\*\*\*\*\*

\*\*\* IMPORTANT \*\*\*

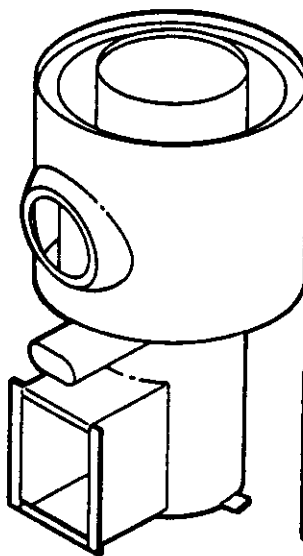
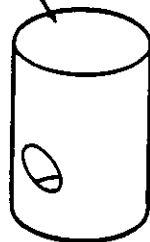
\*\*\*\*\*

Contact the installing and/or local Bard distributor for all parts requirements. Make sure you have the complete model and serial number available from the unit rating plate.

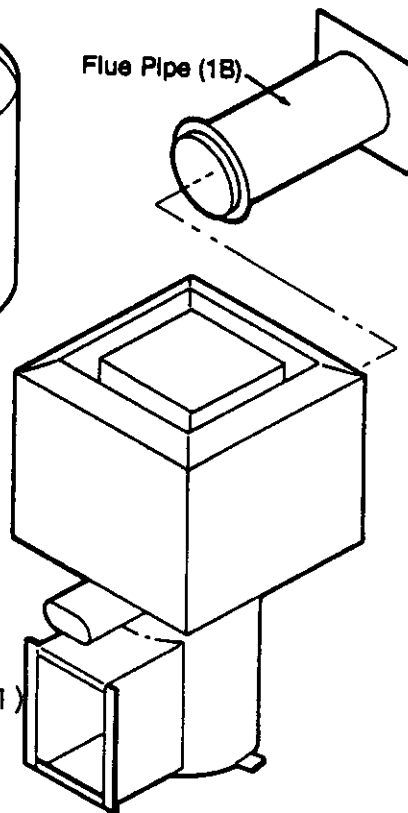
FUNCTIONAL COMPONENTS



Combustion Chamber (1A)



Heat Exchanger (1)  
OL95 and OL125



Date: 12-21-89  
Supersedes:

FUNCTIONAL COMPONENTS

Dwg. No.	Part No.	Description	OL95B36A	OL125B48A	OL140B48A	OL196B60A
1	9045-009	Heat Exchanger Assembly	X			
1	9045-010	Heat Exchanger Assembly		X		
1	9045-011	Heat Exchanger Assembly			X	
1	9045-012	Heat Exchanger Assembly				X
1A	9045-139	Combustion Chamber Wet Pack		X		
1A	9045-138	Combustion Chamber Wet Pack	X			
1A	9045-014	Combustion Chamber			X	X
1B	9045-015	Assembly Cleanout Cover			X	X
1B	9045-016	Gasket Cleanout			X	X
1B	9045-017	Flue Pipe Weldment			X	
2	9045-018	Oil Burner 1-Stage	X	X		
2	9045-019	Oil Burner 1-Stage			X	
2	9045-020	Oil Burner 1-Stage				X
5	9045-003	Blower Wheel 10-8 B.D.	X			
5	5152-006	Blower Wheel 10-10 B.D.		X		
5	9045-004	Blower Wheel 12-9 B.D.			X	
5	9045-005	Blower Wheel 12-12 B.D.				X
6	9045-025	Bearing 3/4 inch	2	2	2	2
7	9045-026	Insulator--Bearing	2	2	2	2
8	9045-027	Blower Shaft--13"	X			
8	9045-028	Blower Shaft--15-5/8"		X		
8	9045-029	Blower Shaft--14-3/8"			X	
8	9045-030	Blower Shaft--18"				X
9	9045-031	Washer-Plastic	2	2	2	2
10	5501-012	Blower Pulley 6 x 3/4	X	X	X	X
11	5501-003	Motor Pulley 4 x 1/2	X	X (3)		
11	5501-015	Motor Pulley 3-1/4 x 1/2			X (2)	
11	9045-036	Motor Pulley 3-1/4 x 5/8				X
12	5601-004	Belt 39"	X			
12	5601-005	Belt 40"		X		
12	5601-006	Belt 41"			X	X
13	8105-001	Motor 1/3 hp 1725 RPM 1/2"	X			
13	8106-001	Motor 1/2 hp 1725 RPM 1/2"		X (1)	X (1)	
13	8107-001	Motor 3/4 hp 1725 RPM 5/8"				X
15	8402-007	Fan/Limit Control 8"	X	X		X
15	8402-001	Fan/Limit Control 11"			X	
16	8201-006	40VA Transformer & Relay	X	X	X	X
17	9045-032	Motor Mount	X			
17	9045-033	Motor Mount		X		
17	9045-034	Motor Mount			X	
17	9045-035	Motor Mount				X

(1) Must also use 5501-015 3-1/4 x 1/2 pulley.

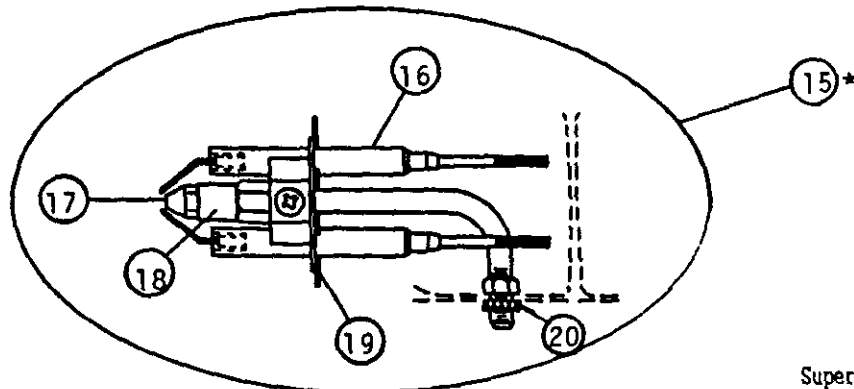
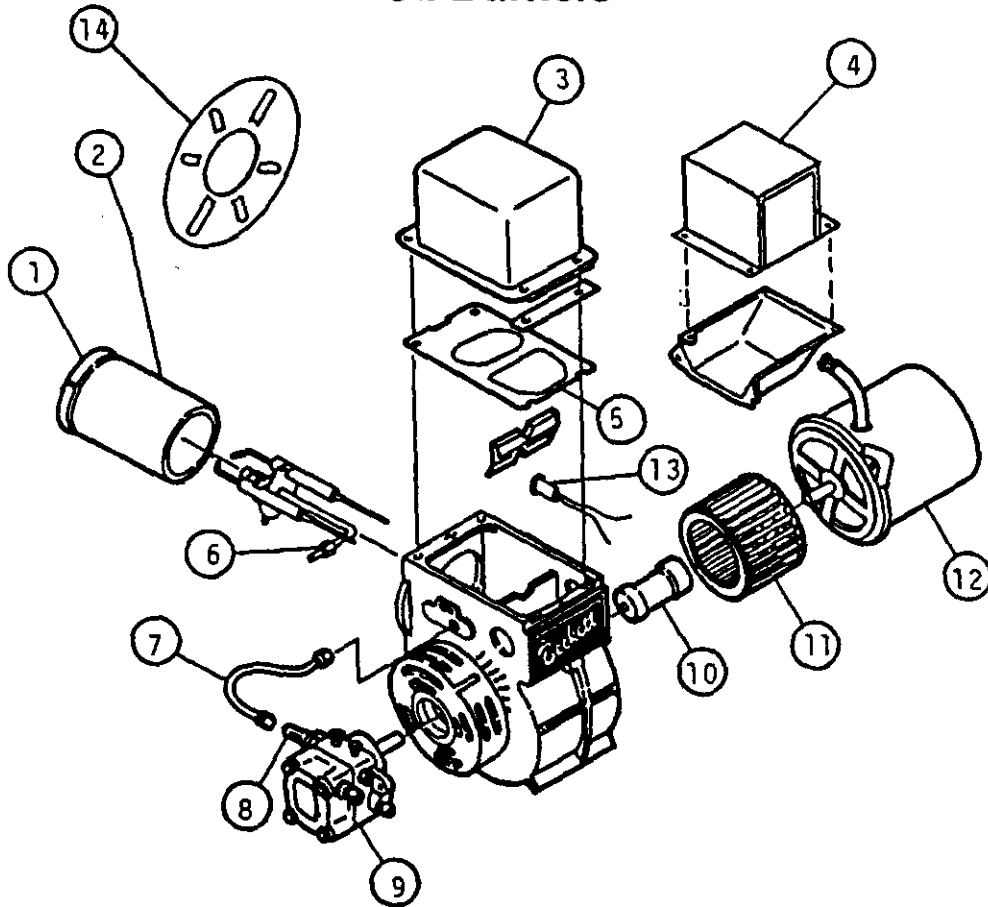
(2) Original factory installed pulley 3-1/4 x 5/8. If replacing pulley only, use 9045-036.

(3) Original factory installed pulley 4 x 5/8. If replacing pulley only, use 5501-016.

# Beckett

## Burner Replacement Parts

### Oil Burners



**Nozzle Line Electrode Assembly**

\*Nozzle is not included in assembly.

Date: 12-21-89  
Supersedes:

2110-905  
Page 3

BURNER COMPONENTS

Dwg. No.	Part No.	Vendor Part No.	Description	O L 9 5 B 3 6 A	O L 1 2 5 B 4 8 A	O L 1 4 0 B 4 8 A	O L 1 9 6 B 0 A
1	9022-025	R4	Head	X	X		
1	9022-026	F12	Head			X	X
2	9022-028	3294071BK	Air Tube	X	X	X	X
3	9022-022	5878U	Transformer w/Gasket AEG	X	X	X	X
4	8400-001		Primary Control	X	X	X	X
5	9022-006	31405	Transformer Gasket	X	X	X	X
6	9022-007	571801	Bulkhead Fitting	X	X	X	X
7	9022-008	5636	Connector Tube	X	X	X	X
8	9022-009	2256	Pump Outlet Elbow	X	X	X	X
9	9022-010	2460U	Pump, Single Stage	X	X	X	X
10	9022-011	2454	Coupling	X	X	X	X
11	9022-012	2459U	Blower	X	X	X	X
12	9022-013	2456U	Motor 1/7 HP 3450 RPM	X	X	X	X
13	9022-020	5963001	Cad Cell	X	X	X	X
14	9022-021	3811	Mounting Flange Gasket	X	X	X	X
14	9022-030	3416	Gasket			X	X
15	9022-031	NL53X2	Nozzle Line Electrode Assembly	X	X	X	X
15	9022-032	NL65X0	Nozzle Line Electrode Assembly			X	X
16	9022-017	5780	Electrode Insulator Assembly(set of 2)	X	X	X	X
17	9011-002		Nozzle .85 GPH 80 degree A	X			
17	9011-004		Nozzle 1.10 GPH 80 degree A		X		
17	9045-023		Nozzle 1.25 GPH 70 Degree Solid			X	
17	9045-024		Nozzle 1.75 GPH 70 Degree Solid				X
18	9022-016	213U	Nozzle Adapter, Single	X	X	X	X
19	9022-023	3384P	Static Plate 3-3/8"	X	X	X	X
20	9022-018	3666	Bulkhead Fitting Locknut	X	X	X	X

Date: 12-21-89  
Supersedes:

CABINET COMPONENTS

Part No.	Vendor Number	Description	O L 9 5 B 3 6 A	O L 1 2 5 B 4 8 A	O L 1 4 0 B 4 8 A	O L 1 9 6 B 6 0 A
9045-074	35989C1	Front Louver Door	X			
9045-071	35989C2	Front Louver Door		X		
*	6556D3	Front Louver Door			X	
*	6556D4	Front Louver Door				X
9045-068	30207C1	Rear Blower Access Door	X			
9045-079	30207C2	Rear Blower Access Door		X		
9045-113	1033C3	Rear Blower Access Door			X	
9045-076	1395C	Base Assembly				X
9045-147	30201C	Base Assembly	X			
*	30224C	Base Assembly		X		
*	1043C3	Base Assembly			X	
9045-088	30202C1	Right Side Panel	X			
9045-096	30225C1	Right Side Panel		X		
9045-112	1036D7	Right Side Panel			X	
*	1401C3	Right Side Panel				X
9045-089	30202C2	Left Side Panel	X			
9045-078	30225C2	Left Side Panel		X		
*	1036D6	Left Side Panel			X	
*	1401C2	Left Side Panel				X
9045-084	30210C1	Front Filler Panel	X			
9045-094	30210C2	Front Filler Panel		X		
*	1051B3	Top Front Panel			X	
*	1051B4	Top Front Panel				X
9045-091	30208C1	Upper Rear Panel	X			
9045-095	30208C2	Upper Rear Panel		X		
*	1045B3	Upper Rear Panel			X	
*	1045B4	Upper Rear Panel				X
9045-103	28249B4	Inner Front Panel	X			
*	2562C3	Inner Front Panel			X	
*	2562C4	Inner Front Panel				X
*	28249B5	Inner Front Panel		X		
*	1212B	Inspection Door			X	X
9045-105	30394A	Inspection Door	X	X		
*	2750C6	Rear Access Panel			X	
*	1390B	Blower Cabinet Top			X	
*	3128A3	Cleanout Cover Assembly				2

\*Contact factory for information.

Date: 12-21-89  
Supersedes: