

REPLACEMENT PARTS MANUAL

OIL FIRED FURNACE MODELS FL110D48B

Manual 2110-902

Revision --

Date 9-08-89

Supersedes

* GENERAL NOTES *

*Revised and/or additional pages may be issued from time to time.
*A complete and current manual consists of pages dated as shown in the following index.

** INDEX **

<u>Page Description</u>	<u>Page</u>	<u>Date</u>	<u>Supersedes</u>
Cabinet Components--Exploded View	1	9-08-89	
" " --Usage List	2	9-08-89	
Functional Components--Exploded View	3	9-08-89	
" " --Usage List	4	9-08-89	
Burner Components--Layout	5	9-08-89	
" " --Usage List	6	9-08-89	

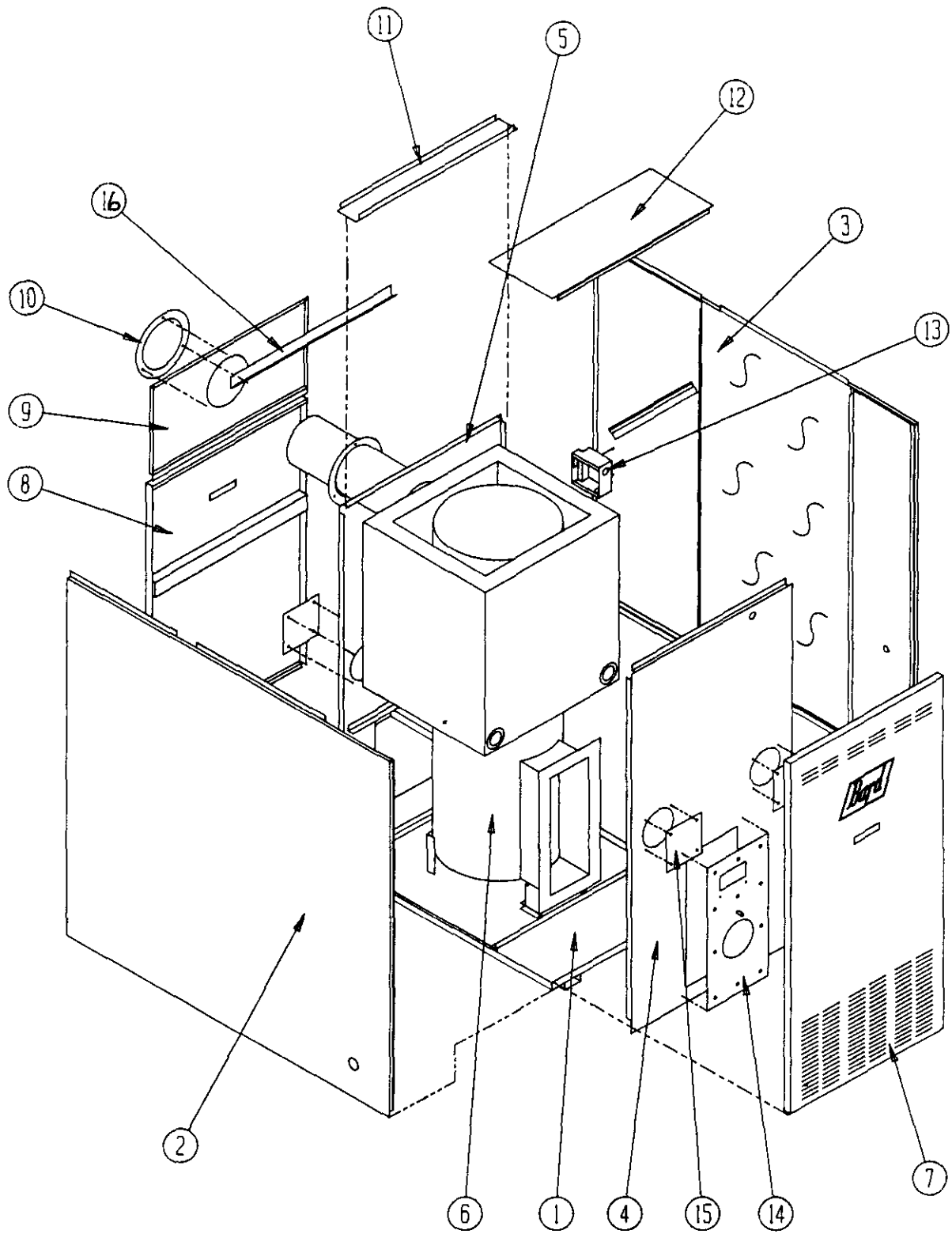
*** IMPORTANT ***

Contact the installing and/or local Bard distributor for all parts requirements. Make sure you have the complete model and serial number available from the unit rating plate.

BARD MANUFACTURING COMPANY


BRYAN, OHIO 43506


CABINET COMPONENTS



Date: 9-08-89
Supersedes:

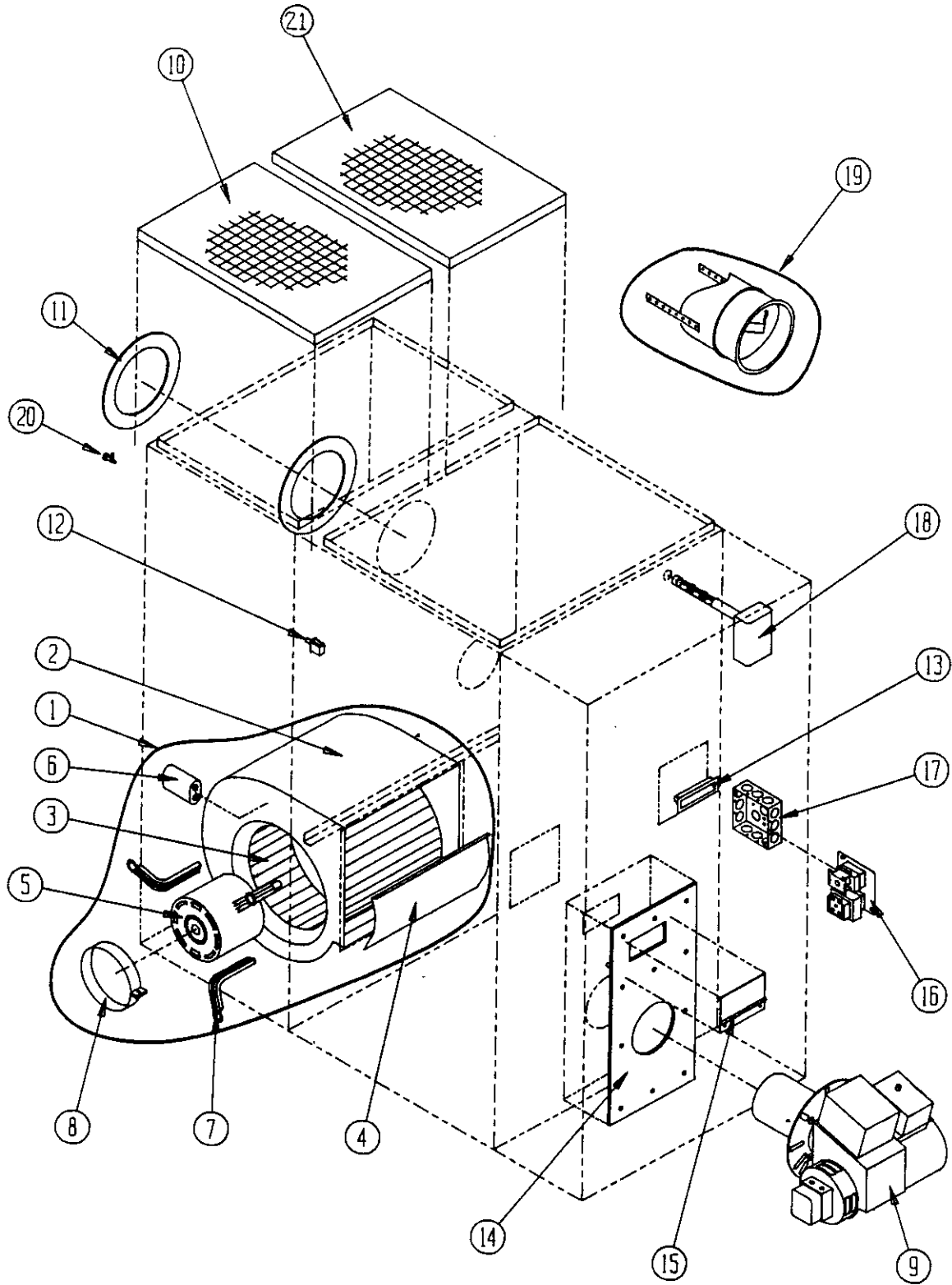
CABINET COMPONENTS

Dwg. No.	Part No.	Description	FL110D48B
1	127-152	Base	X
2	501-171	Left Side	X
3	501-191	Right Side	X
4	520-134	Burner Partition	X
5	121-135	Blower Partition	X
6	171-114	Heat Exchanger (Includes combustion chamber part No. 7090-005) 	X
7	152-129	Burner Door	X
8	552-158	Blower Door	X
9	108-022	Upper Back	X
10	166-007	Smoke Pipe Collar 6"	X
11	164-511	Top Channel	X
12	106-044	Top Fill	X
13	116-084	Rear Junction Box	X
14	161-001	Front Plate	X
15	142-024	Cleanout Cover Plate	4
16	130-029	Filter Seal	X

 Combustion chamber part No. 7090-005 may be ordered separately.

Date: 9-08-89
Supersedes:

FUNCTIONAL COMPONENTS



Date: 9-08-89
Supersedes:

FUNCTIONAL COMPONENTS

Dwg. No.	Part No.	Description	FL110D48B
1	900-144	Blower Assenbly	X
2	151-074	Blower Housing Assembly	X
3	5152-059	Blower Wheel	X
4	144-129	Diffuser	X
5	8106-018	Motor 1/2 HP	X
6	8552-004	Capacitor 7.5/370	X
7	8200-034	Motor Mount Arm	3
8	8200-033	Motor Mount Band	X
9	9020-018	Burner Assembly	X
10	7003-016	Permanent Filter 13x20x1	2
11	1921-006	Smoke Collar Gasket	X
12	8406-013	Door Switch	X
13	1171-025	Door Pull	X
14	1921-010	Front Plate Gasket	X
15	5400-003	Inspection Door Hinge	X
16	8201-006	Fan Center	X
17	8614-001	Front Junction Box	X
18	912-0033	Fan and Limit Assembly	X
19	8601-031	Barometric Damper	X
20	1171-012	Cabinet Latch	X
21	7003-009	Perm. Filter 12x20x1	X

*Oil nozzle part No. 9011-003 not shown

Date: 9-08-89
Supersedes:

BURNER COMPONENTS

Dwg. No.	Part No.	Beckett Part No.	Description	FL110D488
1	9022-003	F3	Head	X
2	9022-019	581196BK	Air Tube and Flange Assembly 7-1/4"	X
3	9022-022	5878U	Transformer w/Gasket ARG	X
4	9022-005	7296U	Primary Control	X
5	9022-006	31405	Transformer Gasket	X
6	9022-007	571801	Bulkhead Fitting	X
7	9022-008	5636	Connector Tube	X
8	9022-009	2256	Pump Outlet Elbow	X
9	9022-010	2460U	Pump, Single Stage	X
10	9022-011	2454	Coupling	X
11	9022-012	2459U	Blower	X
12	9022-013	2456U	Motor 1/7 HP 3450 RPM	X
13	9022-020	5963001	Cad Cell	X
14	9022-024	3616	Mounting Flange Gasket	X
15	9022-015	NL72YH	Nozzle Line Electrode Assembly	X
16	9022-017	5780	Electrode Insulator Assembly	X
17	9011-003		Nozzle 1.00 GPH 80 degree A	X
18	9022-016	213U	Nozzle Adapter, Single	X
19	9022-023	3384P	Static Plate 3-3/8"	X
20	9022-018	3666	Bulkhead Fitting Locknut	X

Date: 9-08-89
Supersedes:

