

REPLACEMENT PARTS MANUAL

OIL FIRED FURNACE MODELS FH085D36B, FH110D48B

Manual 2110-901

Revision --

Date 9-18-89

Supersedes

* GENERAL NOTES *

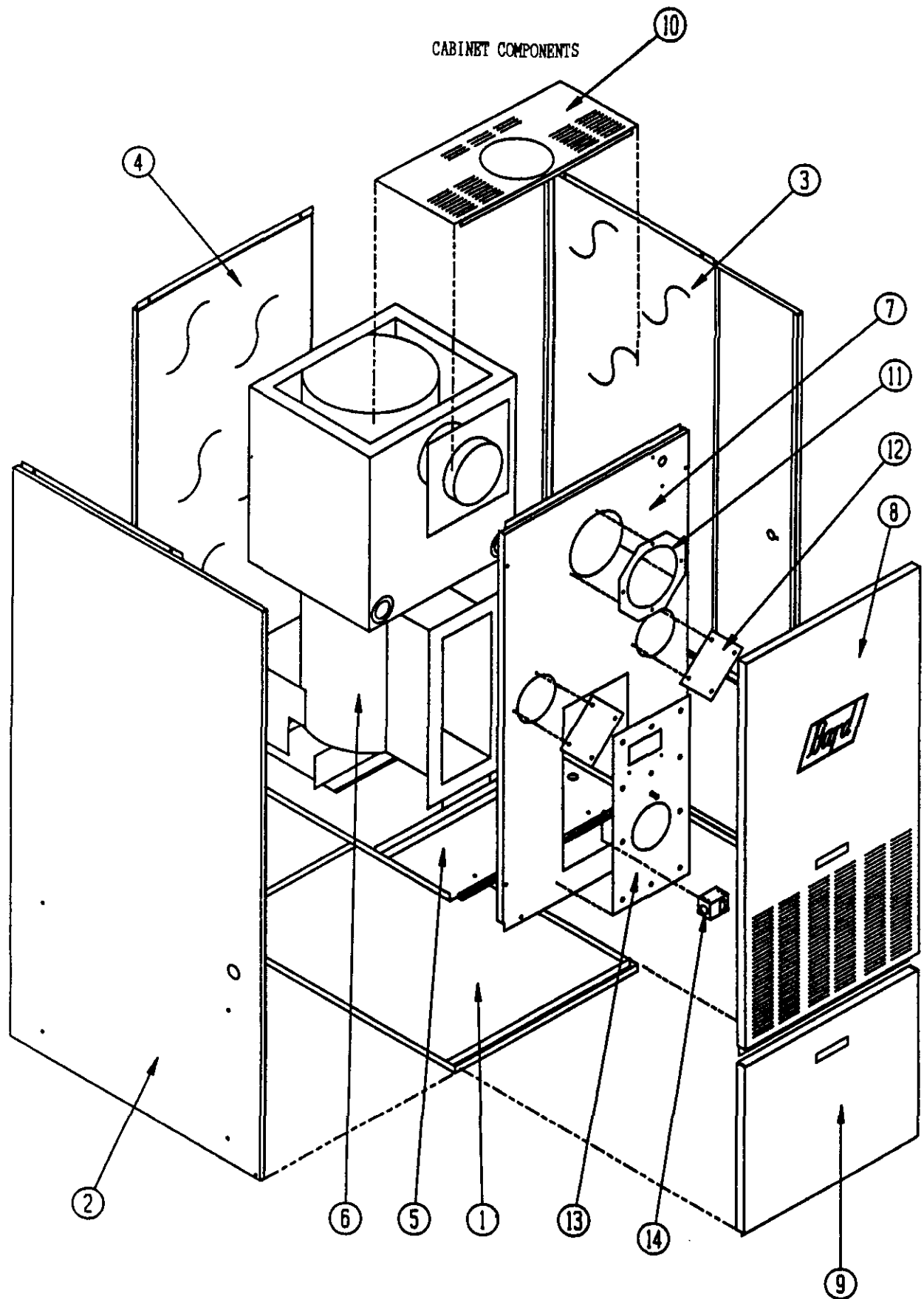
*Revised and/or additional pages may be issued from time to time.
*A complete and current manual consists of pages dated as shown in the following index.

** INDEX **

<u>Page Description</u>	<u>Page</u>	<u>Date</u>	<u>Supersedes</u>
Cabinet Components--Exploded View	1	9-18-89	
" " --Usage List	2	9-18-89	
Functional Components--Exploded View	3	9-18-89	
" " --Usage List	4	9-18-89	
Burner Components--Layout	5	9-18-89	
" " --Usage List	6	9-18-89	

*** IMPORTANT ***

Contact the installing and/or local Bard distributor for all parts requirements. Make sure you have the complete model and serial number available from the unit rating plate.



Date: 9-18-89
 Supersedes:

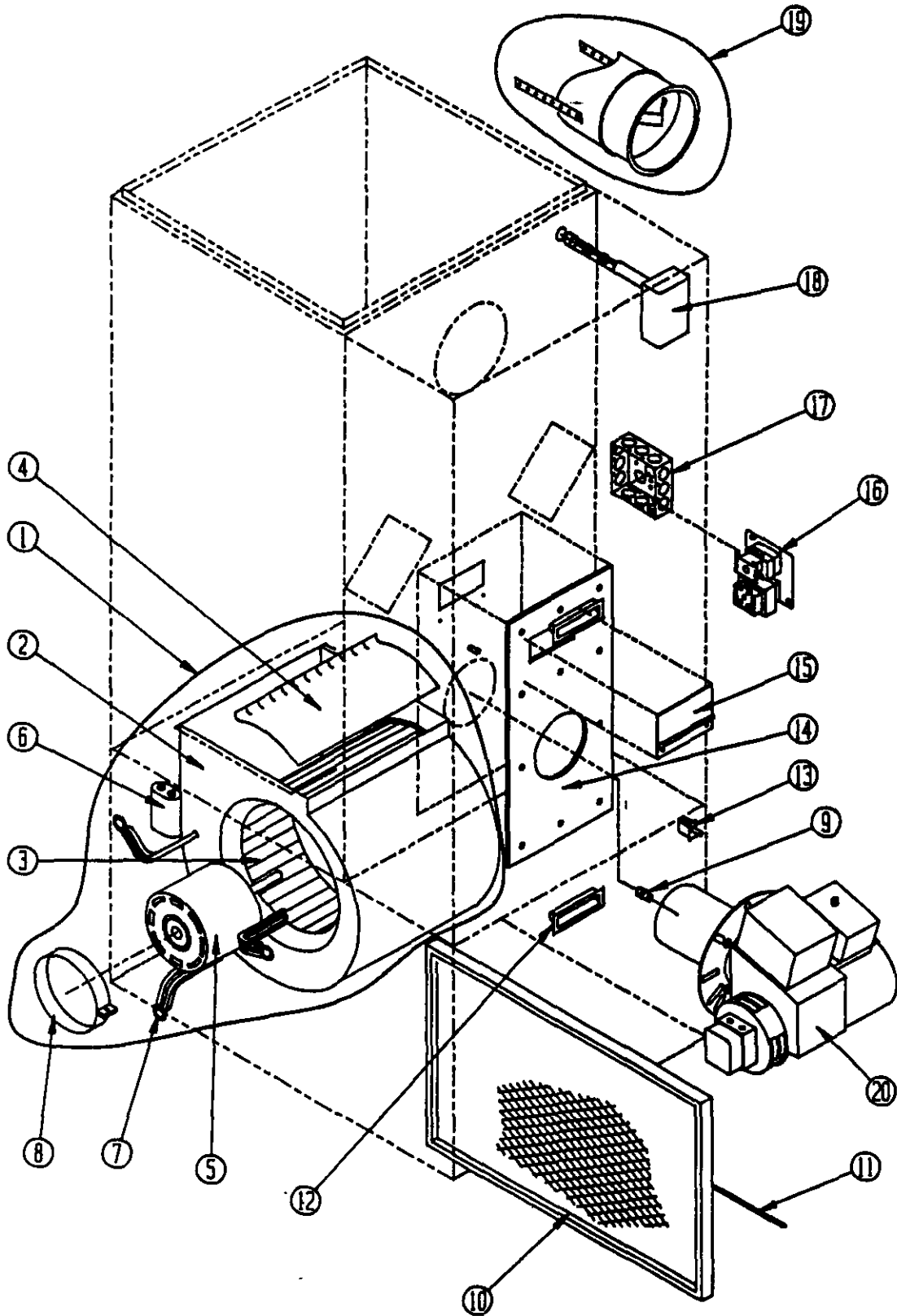
CABINET COMPONENTS

Dwg. No.	Part No.	Description	F H O 8 5 D 3 6 B	F H 1 1 O D 4 8 B
1	127-174	Lower Base	X	X
2	501-205	Left Side	X	X
3	501-204	Right Side	X	X
4	508-077	Back Assembly	X	
4	508-076	Back Assembly		X
5	127-173	Blower Base	X	
5	127-170	Blower Base		X
6	171-166	Heat Exchanger Assembly (includes combustion chamber part No. 7090-005)①	X	
6	171-165	Heat Exchanger Assembly (includes combustion chamber part No. 7090-005)①		X
7	520-146	Burner Partition	X	
7	520-141	Burner Partition		X
8	152-180	Burner Door	X	
8	152-176	Burner Door		X
9	152-155	Blower Door	X	X
10	106-052	Top Fill	X	X
11	166-007	Smoke Pipe Collar	X	X
12	542-024	Cleanout Cover Plates	2	2
13	161-027	Front Plate Assembly	X	X
14	112-031	Door Switch Bracket	X	X

① Combustion chamber part No. 7090-005 may be ordered separately.

Date: 9-18-89
Supersedes:

FUNCTIONAL COMPONENTS



Date: 9-18-89
Supersedes:

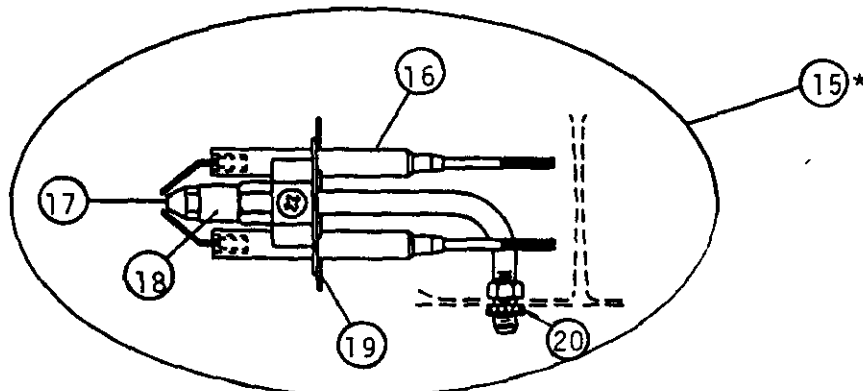
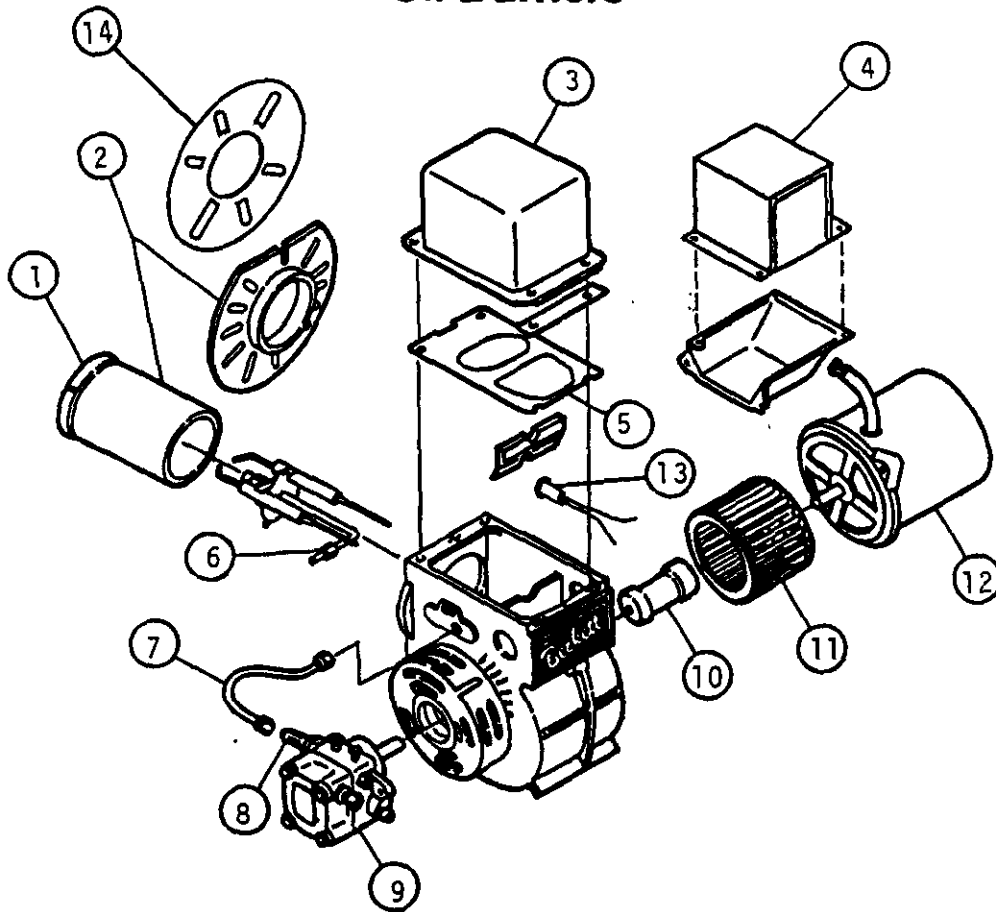
FUNCTIONAL COMPONENTS

Dwg. No.	Part No.	Description	F H O 8 5 D 3 6 B	F H 1 1 O D 4 8 B
1	900-156	Blower Assembly	X	
1	900-111	Blower Assembly		X
2	144-1	Blower Wrapper	X	
2	144-1	Blower Wrapper		X
3	5152-	Blower Wheel	X	
3	5152-059	Blower Wheel		X
4	144-127	Diffuser	X	
4	144-129	Diffuser		X
5	8105-008	Motor 1/3 HP	X	
5	8106-018	Motor 1/2 HP		X
6	8552-002	Capacitor 5/370 MFD	X	
6	8552-004	Capacitor 7-1/2 /370 MFD		X
7	8200-034	Motor Mount Arm	3	3
8	8200-033	Motor Mount Band	X	X
9	9011-001	Nozzle .75 GPH 80 degree	X	
9	9011-003	Nozzle 1.00 GPH 80 degree		X
10	7003-004	Permanent Filter 16x25x1	X	X
11	5401-002	Spring	X	X
12	1171-025	Door Pull	2	2
13	8406-013	Door Switch	X	X
14	1921-021	Front Plate Gasket	X	X
15	5400-003	Inspection Door Hinge	X	X
16	8201-006	Fan Center--Two Speed	X	X
17	8614-001	Square Outlet Box	X	X
18	912-0036	Fan/Limit Assembly	X	
18	912-0035	Fan/Limit Assembly		X
19	8601-031	Barometric Damper	X	X
20	9020-017	Burner Assembly	X	X

Date: 9-18-89
Supersedes:

Burner Replacement Parts

Oil Burners



Nozzle Line Electrode Assembly

*Nozzle is not included in assembly.

Date: 9-18-89
Supersedes:

BURNER COMPONENTS

Dwg. No.	Part No.	Beckett Part No.	Description	F H O 8 5 D 3 6 B	F H 1 1 O D 4 8 B
1	9022-003	F3	Head	X	X
2	9022-004	51236007BK	Air Tube and Flange Assembly 9"	X	X
3	9022-022	5878U	Transformer w/Gasket AFG	X	X
4	9022-005	7296U	Primary Control	X	X
5	9022-006	31405	Transformer Gasket	X	X
6	9022-007	571801	Bulkhead Fitting	X	X
7	9022-008	5636	Connector Tube	X	X
8	9022-009	2256	Pump Outlet Elbow	X	X
9	9022-010	2460U	Pump, Single Stage	X	X
10	9022-011	2454	Coupling	X	X
11	9022-012	2459U	Blower	X	X
12	9022-013	2456U	Motor 1/7 HP 3450 RPM	X	X
13	9022-020	5963001	Cad Cell	X	X
14	9022-021	3811	Mounting Flange Gasket	X	X
15	9022-014	NL90YH	Nozzle Line Electrode Assembly	X	X
16	9022-017	5780	Electrode Insulator Assembly	X	X
17	9011-001		Nozzle .75 GPH 80 degree A	X	
17	9011-003		Nozzle 1.00 GPH 80 degree A		X
18	9022-016	213U	Nozzle Adapter, Single	X	X
19	9022-023	3384P	Static Plate 3-3/8"	X	X
20	9022-018	3666	Bulkhead Fitting Locknut	X	X

Date: 9-18-89
Supersedes:

