

REPLACEMENT PARTS MANUAL

OIL FIRED FURNACE MODELS FH085D36B, FH110D48B, FH110D60B

Manual 2110-901

Revision H

Date 01-15-93

Supersedes 04-06-92

* GENERAL NOTES *

*Revised and/or additional pages may be issued from time to time.
*A complete and current manual consists of pages dated as shown in the following index.

** INDEX **

<u>Page Description</u>	<u>Page</u>	<u>Date</u>	<u>Supersedes</u>
Cabinet Components--Exploded View	1	4-06-92	2-07-92
" " --Usage List	2	1-15-93	4-06-92
Functional Components--Exploded View	3	4-06-92	2-07-92
" " --Usage List	4	4-06-92	2-07-92
Burner Components--Layout	5	12-03-91	9-18-89
" " --Usage List	6	12-03-91	5-18-90

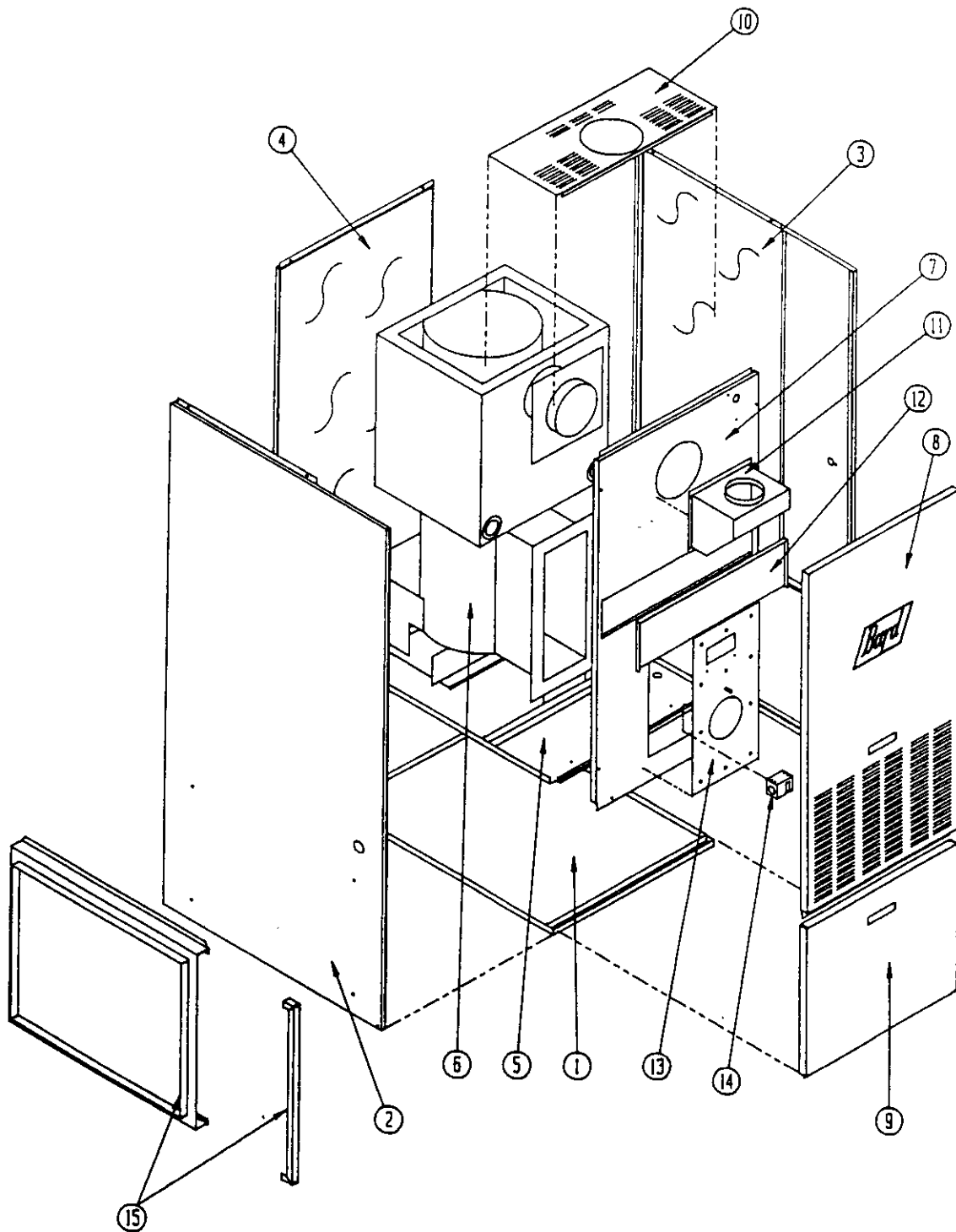
*** IMPORTANT ***

Contact the installing and/or local Bard distributor for all parts requirements. Make sure you have the complete model and serial number available from the unit rating plate.

BARD MANUFACTURING COMPANY

BRYAN, OHIO 43506

CABINET COMPONENTS



Date: 4-06-92
Supersedes: 2-07-91

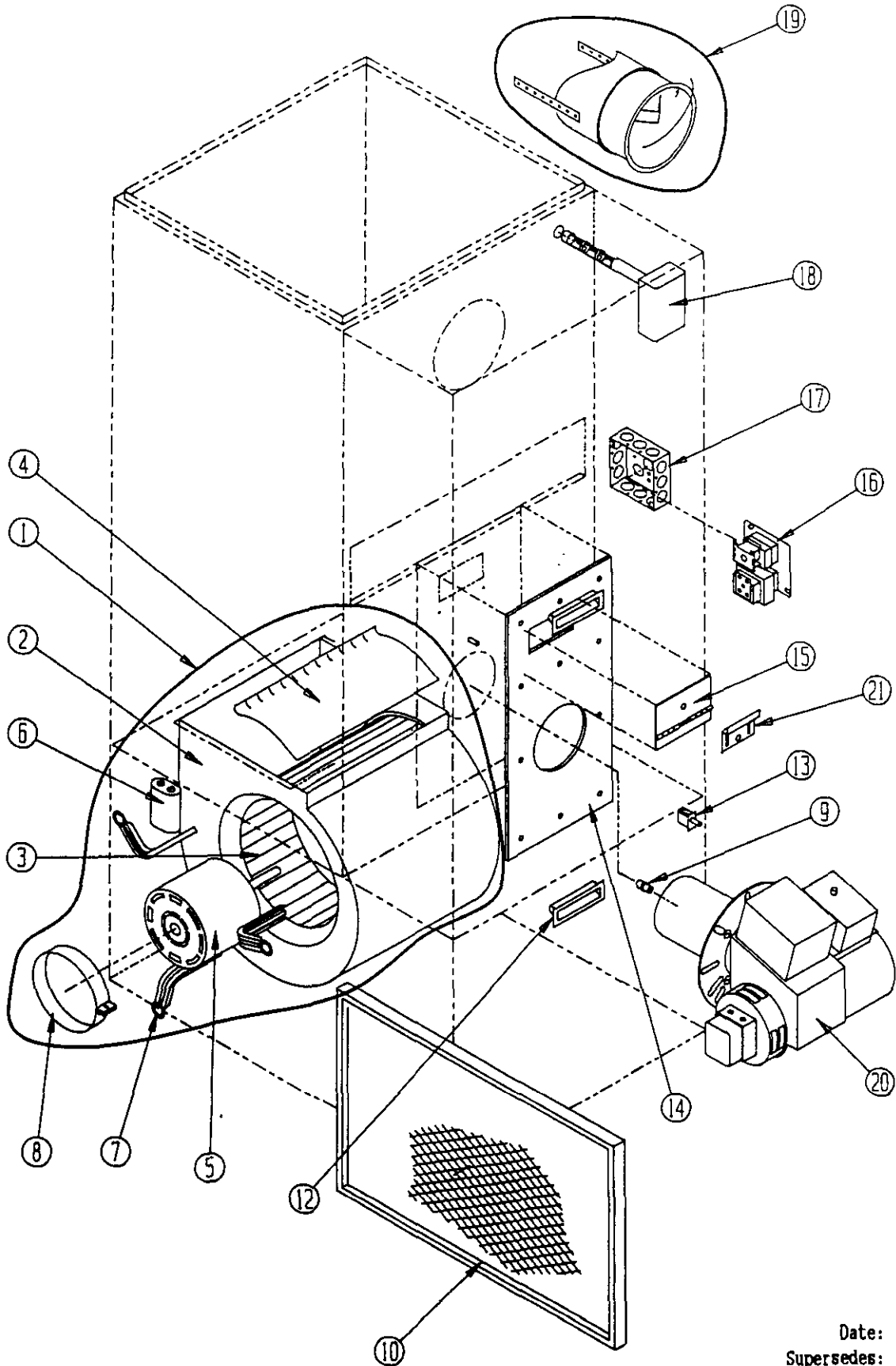
CABINET COMPONENTS

Dwg. No.	Part No.	Description	F	F	F
			H	H	H
			O	I	I
			8	1	1
			5	O	O
			D	D	D
			3	4	6
			6	8	O
			B	B	B
1	127-174	Lower Base	X	X	X
2	501-239	Left Side		X	X
2	501-237	Left Side	X		
3	501-238	Right Side		X	X
3	501-236	Right Side	X		
4	508-077	Back Assembly	X		
4	508-076	Back Assembly		X	X
5	127-173	Blower Base	X		
5	127-170	Blower Base		X	X
6	171-178	Heat Exchanger Assembly (includes combustion chamber part No. 7090-005) (1)	X		
6	171-179	Heat Exchanger Assembly (includes combustion chamber part No. 7090-005) (1)		X	X
7	520-224	Burner Partition	X		
7	520-225	Burner Partition		X	X
8	152-180	Burner Door	X		
8	152-176	Burner Door		X	X
9	152-155	Blower Door	X	X	X
10	106-138	Top Fill	X	X	X
11	913-0069	Flue Box Assembly	X	X	X
12	542-037	Cleanout Cover Plates	X	X	X
13	161-027	Front Plate Assembly	X	X	X
14	112-031	Door Switch Bracket	X	X	X
15	919-0002	Filter Rack W/Door	X	X	
15	919-0003	Filter Rack W/Door			X

(1) Combustion chamber part No. 7090-005 may be ordered separately.

Date: 1-15-93
Supersedes: 4-06-92

FUNCTIONAL COMPONENTS



Date: 4-06-92
Supersedes: 2-07-92

FUNCTIONAL COMPONENTS

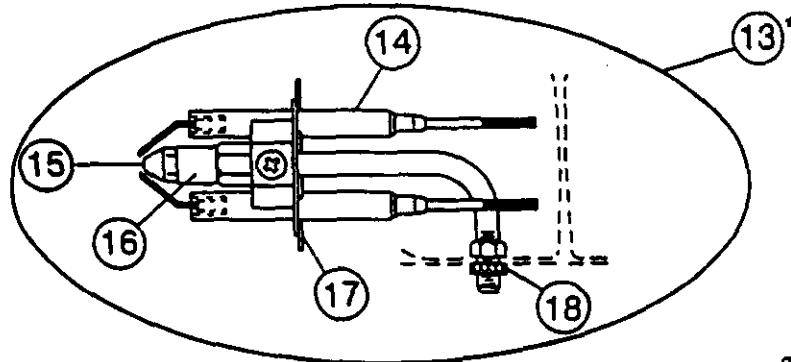
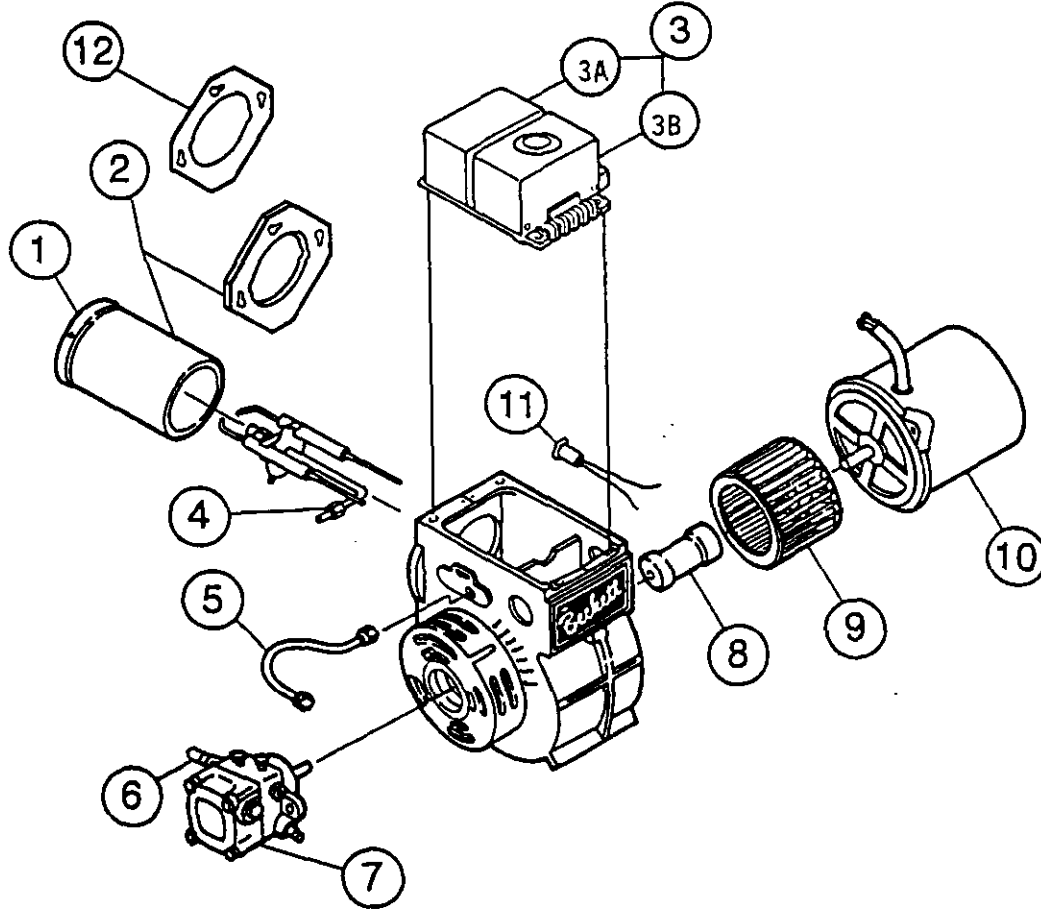
Dwg. No.	Part No.	Description	F H O 8 5 D 3 6 B	F H 1 1 O D 4 8 B	F H 1 1 O D 6 O B
1	900-156	Blower Assembly	X		
1	900-111	Blower Assembly		X	
1	900-166	Blower Assembly			X
2	144-15	Blower Housing Assembly	X		
2	144-17	Blower Housing Assembly		X	
2	5152-050	Blower Housing Assembly (1)			X
3	5152-013	Blower Wheel	X		
3	5152-053	Blower Wheel			X
3	5152-059	Blower Wheel		X	
4	144-127	Diffuser	X		
4	144-129	Diffuser		X	
4	NA	Diffuser (1)			X
5	8105-008	Motor 1/3 HP	X		
5	8106-018	Motor 1/2 HP		X	
5	8107-004	Motor 3/4 HP			X
6	8552-002	Capacitor 5/370 MFD	X		
6	8552-004	Capacitor 7-1/2 /370 MFD		X	
6	8552-026	Capacitor 15/370 MFD			X
7	8200-034	Motor Mount Arm	3	3	
7	8200-035	Motor Mount Arm			3
8	8200-033	Motor Mount Band	X	X	X
9	9011-001	Nozzle .75 GPH 80 degree	X		
9	9011-003	Nozzle 1.00 GPH 80 degree		X	X
10	7003-004	Permanent Filter 16x25x1	X	X	
10	7003-028	Permanent Filter 20x25x1			X
12	1171-025	Door Pull	1	1	1
13	8406-013	Door Switch	X	X	X
14	1921-021	Front Plate Gasket	X	X	X
15	5400-003	Inspection Door Hinge	X	X	X
16	8201-006	Fan Center--Two Speed	X	X	X
17	8614-039	Square Outlet Box	X	X	X
18	8402-043	Fan/Limit Control	X	X	X
19	8601-031	Barometric Damper	X	X	X
20	9020-017	Burner Assembly	X	X	X
21	142-026	Inspection Door Cover	X	X	X

(1) Drawing No. 2 part No. 5152-050 includes housing, diffuser, and blower wheel part No. 5152-053.

Date: 4-06-92
Supersedes: 2-07-91

Burner Replacement Parts

Oil Burners



Nozzle Line Electrode Assembly

*Nozzle is not included in assembly.

Date: 12-03-91
Supersedes: 9-18-89

2110-901

Page: 5

BURNER COMPONENTS

Dwg. No.	Bard Part No.	Supplier Part No.	Description	F H O 8 5 D 3 6 B	F H I O D 4 8 B
1	9022-003	F3	Head	X	X
2	9022-004	51236007BK	Air Tube and Flange Assembly 7-5/8" Insertion	X	X
3	9022-036	40100-02-BK	Primary Control and Ignitor Assembly*	X	X
3A	9022-037	14280-SO-S	Interrupted Duty Ignitor Only	X	X
3B	9022-038	14290-02-AOS	Primary Control Only	X	X
4	9022-007	571801	Bulkhead Fitting	X	X
5	9022-008	5636	Connector Tube	X	X
6	9022-009	2256	Pump Outlet Elbow	X	X
7	9022-010	2460U	Pump, Single Stage	X	X
8	9022-011	2454	Coupling	X	X
9	9022-012	2459U	Blower	X	X
10	9022-013	2456U	Motor 1/7 HP 3450 RPM	X	X
11	9022-039	40153-SO-E	Cad Cell Assembly**	X	X
	9022-040	14407S	Cad Cell Eye Only	X	X
12	9022-021	3811	Mounting Flange Gasket	X	X
13	9022-014	NL90YH	Nozzle Line Electrode Assembly	X	X
14	9022-017	5780	Electrode Insulator Assembly	X	X
15	9011-001		Nozzle .75 GPH 80 degree A	X	
15	9011-003		Nozzle 1.00 GPH 80 degree A		X
16	9022-016	213U	Nozzle Adapter, Single	X	X
17	9022-023	3384P	Static Plate 3-3/8"	X	X
18	9022-018	3666	Bulkhead Fitting Locknut	X	X

* Includes 9022-037 interrupted duty ignitor, 9022-038 primary control, and 9022-039 cad cell assembly.

** Includes 9022-040 cad cell eye.

Date: 12-03-91
Supersedes: 5-18-90

