

REPLACEMENT PARTS MANUAL

OIL FIRED FURNACE MODELS FH085D36B, FH110D48B, FH110D60B

Manual 2110-901

Revision G

Date 04-06-92

Supersedes 02-07-92

* GENERAL NOTES *

*Revised and/or additional pages may be issued from time to time.
*A complete and current manual consists of pages dated as shown in the following index.

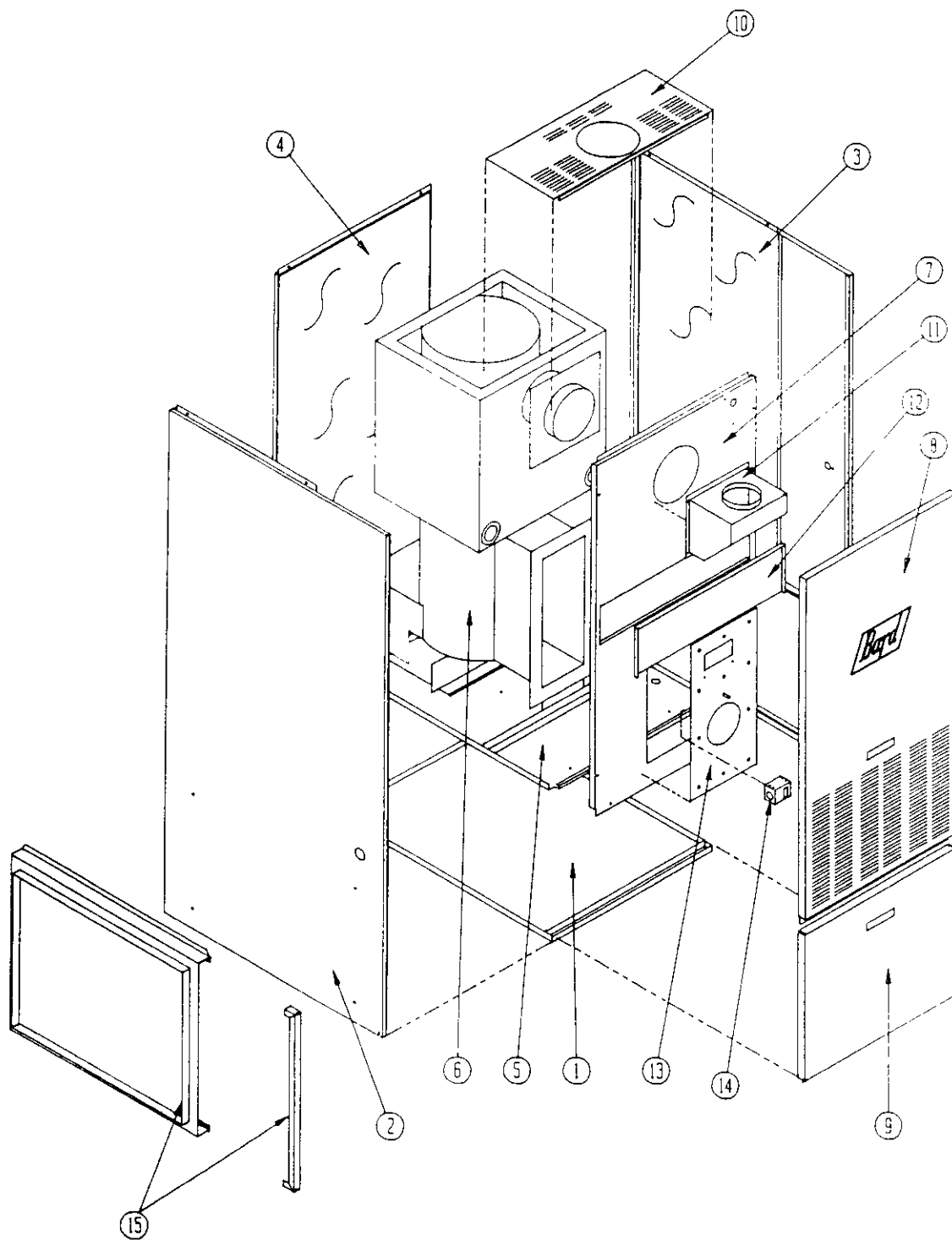
** INDEX **

| <u>Page Description</u> | <u>Page</u> | <u>Date</u> | <u>Supersedes</u> |
|--------------------------------------|-------------|-------------|-------------------|
| Cabinet Components--Exploded View | 1 | 4-06-92 | 2-07-92 |
| " " --Usage List | 2 | 4-06-92 | 9-20-91 |
| Functional Components--Exploded View | 3 | 4-06-92 | 2-07-92 |
| " " --Usage List | 4 | 4-06-92 | 2-07-92 |
| Burner Components--Layout | 5 | 12-03-91 | 9-18-89 |
| " " --Usage List | 6 | 12-03-91 | 5-18-90 |

*** IMPORTANT ***

Contact the installing and/or local Bard distributor for all parts requirements. Make sure you have the complete model and serial number available from the unit rating plate.

CABINET COMPONENTS



Date: 4-06-92
Supersedes: 2-07-91

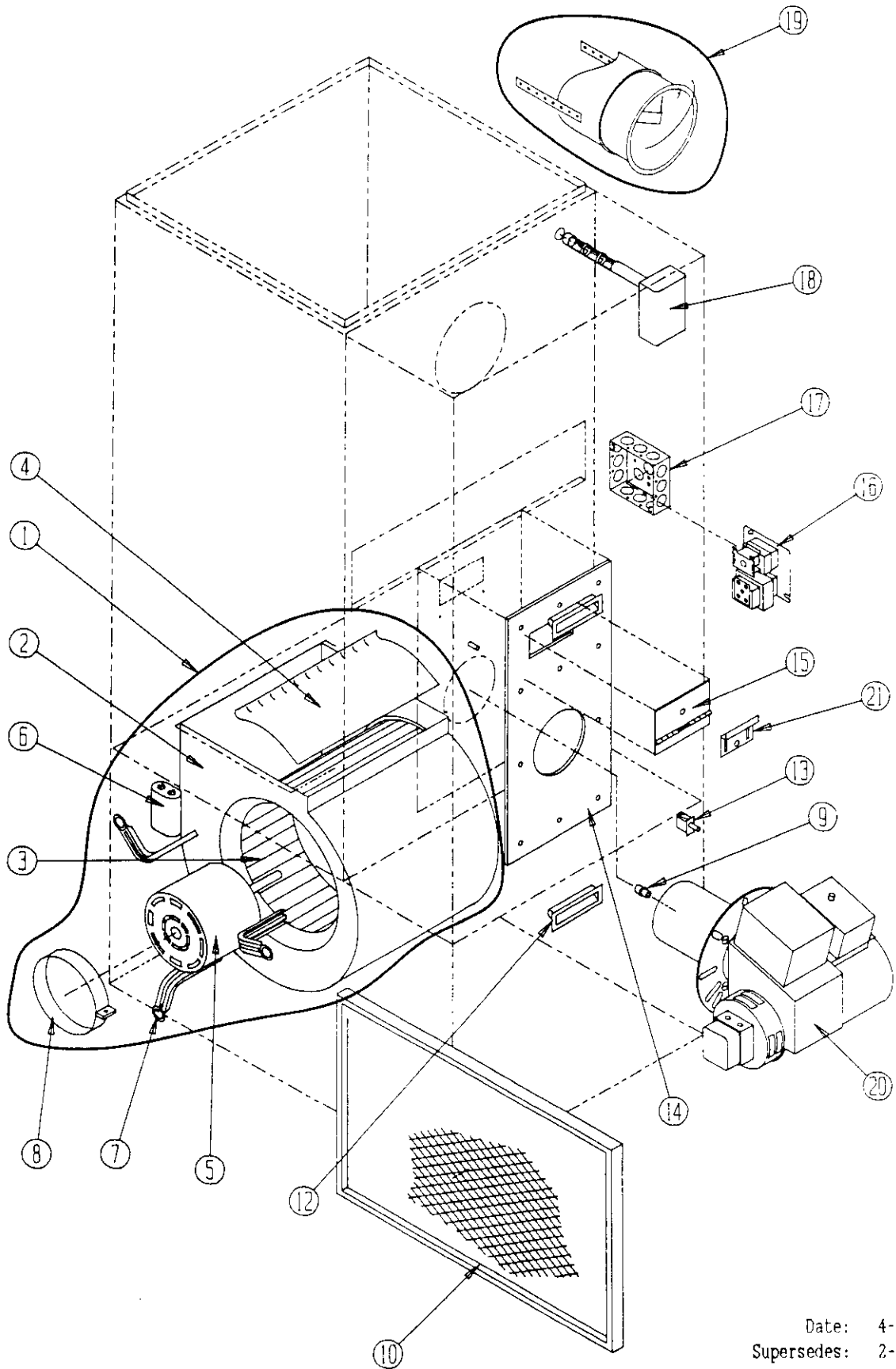
CABINET COMPONENTS

| Dwg. No. | Part No. | Description | F H O 8 5 D 3 6 B | F H 1 1 0 D 4 8 B | F H 1 1 0 D 6 0 B |
|----------|----------|--|---|---|---|
| 1 | 127-174 | Lower Base | X | X | X |
| 2 | 501-239 | Left Side | | X | X |
| 2 | 501-237 | Left Side | X | | |
| 3 | 501-238 | Right Side | | X | X |
| 3 | 501-236 | Right Side | X | | |
| 4 | 508-077 | Back Assembly | X | | |
| 4 | 508-076 | Back Assembly | | X | X |
| 5 | 127-173 | Blower Base | X | | |
| 5 | 127-170 | Blower Base | | X | X |
| 6 | 171-166 | Heat Exchanger Assembly (includes combustion chamber part No. 7090-005) (1) | X | | |
| 6 | 171-165 | Heat Exchanger Assembly (includes combustion chamber part No. 7090-005) (1) | | X | X |
| 7 | 520-205 | Burner Partition | X | | |
| 7 | 520-206 | Burner Partition | | X | X |
| 8 | 152-180 | Burner Door | X | | |
| 8 | 152-176 | Burner Door | | X | X |
| 9 | 152-155 | Blower Door | X | X | X |
| 10 | 106-138 | Top Fill | X | X | X |
| 11 | 913-0065 | Flue Box Assembly | X | X | X |
| 12 | 542-037 | Cleanout Cover Plates | X | X | X |
| 13 | 161-027 | Front Plate Assembly | X | X | X |
| 14 | 112-031 | Door Switch Bracket | X | X | X |
| 15 | 919-0002 | Filter Rack W/Door | X | X | |
| 15 | 919-0003 | Filter Rack W/Door | | | X |

(1) Combustion chamber part No. 7090-005 may be ordered separately.

Date: 4-06-92
Supersedes: 9-20-91

FUNCTIONAL COMPONENTS



Date: 4-06-92
Supersedes: 2-07-92

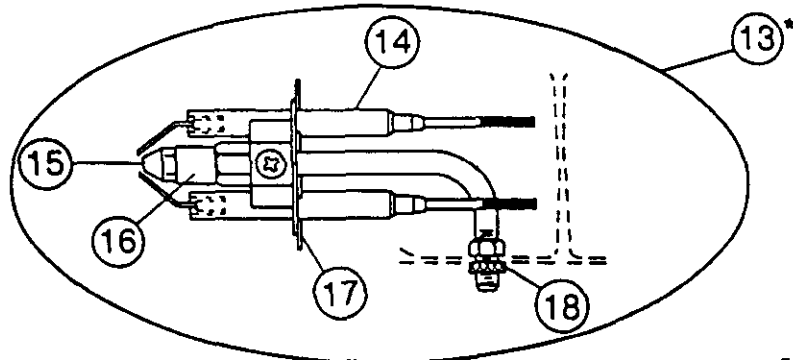
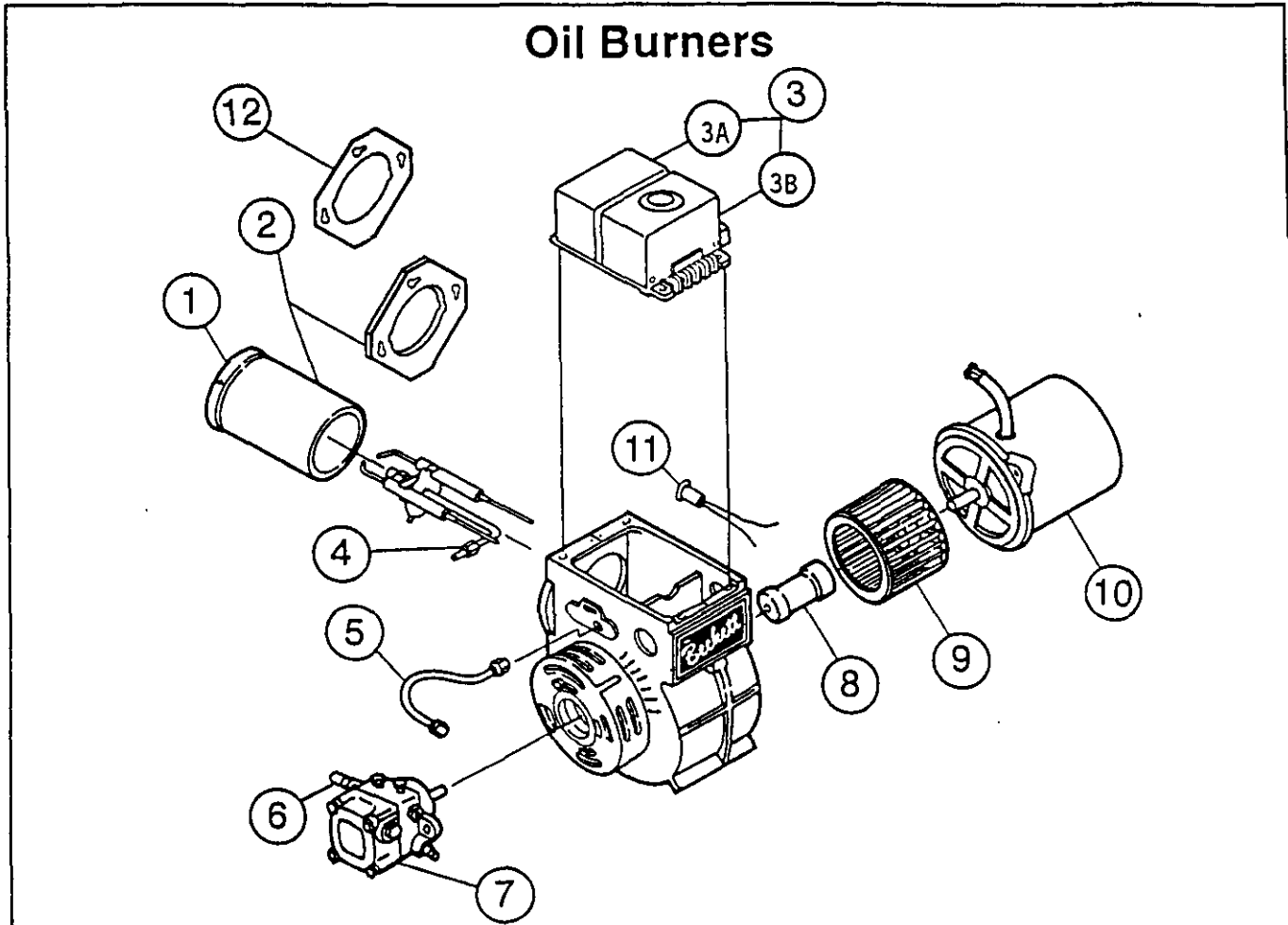
FUNCTIONAL COMPONENTS

| Dwg. No. | Part No. | Description | F H O 8 5 D 3 6 B | F H 1 1 0 D 4 8 B | F H 1 1 0 D 6 0 B |
|----------|----------|-----------------------------|---|---|---|
| 1 | 900-156 | Blower Assembly | x | | |
| 1 | 900-111 | Blower Assembly | | x | |
| 1 | 900-166 | Blower Assembly | | | x |
| 2 | 144-1 | Blower Housing Assembly | x | | |
| 2 | 144-1 | Blower Housing Assembly | | x | |
| 2 | 5152- | Blower Housing Assembly (1) | | | x |
| 3 | 5152-013 | Blower Wheel | x | | |
| 3 | 5152-053 | Blower Wheel | | | x |
| 3 | 5152-059 | Blower Wheel | | x | |
| 4 | 144-127 | Diffuser | x | | |
| 4 | 144-129 | Diffuser | | x | |
| 4 | NA | Diffuser (1) | | | x |
| 5 | 8105-008 | Motor 1/3 HP | x | | |
| 5 | 8106-018 | Motor 1/2 HP | | x | |
| 5 | 8107-004 | Motor 3/4 HP | | | x |
| 6 | 8552-002 | Capacitor 5/370 MFD | x | | |
| 6 | 8552-004 | Capacitor 7-1/2 /370 MFD | | x | |
| 6 | 8552-026 | Capacitor 15/370 MFD | | | x |
| 7 | 8200-034 | Motor Mount Arm | 3 | 3 | |
| 7 | 8200-035 | Motor Mount Arm | | | 3 |
| 8 | 8200-033 | Motor Mount Band | x | x | x |
| 9 | 9011-001 | Nozzle .75 GPH 80 degree | x | | |
| 9 | 9011-003 | Nozzle 1.00 GPH 80 degree | | x | x |
| 10 | 7003-004 | Permanent Filter 16x25x1 | x | x | |
| 10 | 7003-028 | Permanent Filter 20x25x1 | | | x |
| 12 | 1171-025 | Door Pull | 1 | 1 | 1 |
| 13 | 8406-013 | Door Switch | x | x | x |
| 14 | 1921-021 | Front Plate Gasket | x | x | x |
| 15 | 5400-003 | Inspection Door Hinge | x | x | x |
| 16 | 8201-006 | Fan Center--Two Speed | x | x | x |
| 17 | 8614-039 | Square Outlet Box | x | x | x |
| 18 | 8402-043 | Fan/Limit Control | x | x | x |
| 19 | 8601-031 | Barometric Damper | x | x | x |
| 20 | 9020-017 | Burner Assembly | x | x | x |
| 21 | 142-026 | Inspection Door Cover | x | x | x |

(1) Drawing No. 2 part No. 5152-050 includes housing, diffuser, and blower wheel part No. 5152-053.

Date: 4-06-92
Supersedes: 2-07-91

Burner Replacement Parts



Nozzle Line Electrode Assembly

*Nozzle is not included in assembly.

Date: 12-03-91
Supersedes: 9-18-89

2110-901
Page: 5

BURNER COMPONENTS

| Dwg. No. | Bard Part No. | Supplier Part No. | Description | F H O 8 5 D 3 6 B | F H 1 1 O D 4 8 B |
|----------|---------------|-------------------|--|---|---|
| 1 | 9022-003 | F3 | Head | X | X |
| 2 | 9022-004 | 51236007BK | Air Tube and Flange Assembly 7-5/8" Insertion | X | X |
| 3 | 9022-036 | 40100-02-BK | Primary Control and Ignitor Assembly* | X | X |
| 3A | 9022-037 | 14280-SO-S | Interrupted Duty Ignitor Only | X | X |
| 3B | 9022-038 | 14290-02-AOS | Primary Control Only | X | X |
| 4 | 9022-007 | 571801 | Bulkhead Fitting | X | X |
| 5 | 9022-008 | 5636 | Connector Tube | X | X |
| 6 | 9022-009 | 2256 | Pump Outlet Elbow | X | X |
| 7 | 9022-010 | 2460U | Pump, Single Stage | X | X |
| 8 | 9022-011 | 2454 | Coupling | X | X |
| 9 | 9022-012 | 2459U | Blower | X | X |
| 10 | 9022-013 | 2456U | Motor 1/7 HP 3450 RPM | X | X |
| 11 | 9022-039 | 40153-SO-B | Cad Cell Assembly** | X | X |
| | 9022-040 | 14407S | Cad Cell Eye Only | X | X |
| 12 | 9022-021 | 3811 | Mounting Flange Gasket | X | X |
| 13 | 9022-014 | NL90YH | Nozzle Line Electrode Assembly | X | X |
| 14 | 9022-017 | 5780 | Electrode Insulator Assembly | X | X |
| 15 | 9011-001 | | Nozzle .75 GPH 80 degree A | X | |
| 15 | 9011-003 | | Nozzle 1.00 GPH 80 degree A | | X |
| 16 | 9022-016 | 213U | Nozzle Adapter, Single | X | X |
| 17 | 9022-023 | 3384P | Static Plate 3-3/8" | X | X |
| 18 | 9022-018 | 3666 | Bulkhead Fitting Locknut | X | X |

* Includes 9022-037 interrupted duty ignitor, 9022-038 primary control, and 9022-039 cad cell assembly.

** Includes 9022-040 cad cell eye.

Date: 12-03-91
Supersedes: 5-18-90

