

# REPLACEMENT PARTS MANUAL

## OIL FIRED FURNACE MODELS FH085D36B, FH110D48B, FH110D60B

Manual 2110-901

Revision C

Date 1-03-91

Supersedes 5-18-90

\*\*\*\*\*  
\* GENERAL NOTES \*  
\*\*\*\*\*

\*Revised and/or additional pages may be issued from time to time.  
\*A complete and current manual consists of pages dated as shown in the following index.

\*\*\*\*\*  
\*\* INDEX \*\*  
\*\*\*\*\*

| <u>Page Description</u>              | <u>Page</u> | <u>Date</u> | <u>Supersedes</u> |
|--------------------------------------|-------------|-------------|-------------------|
| Cabinet Components--Exploded View    | 1           | 9-18-89     |                   |
| " " --Usage List                     | 2           | 1-03-91     | 1-10-90           |
| Functional Components--Exploded View | 3           | 9-18-89     |                   |
| " " --Usage List                     | 4           | 1-03-91     | 1-10-90           |
| Burner Components--Layout            | 5           | 9-18-89     |                   |
| " " --Usage List                     | 6           | 5-18-90     | 9-18-89           |

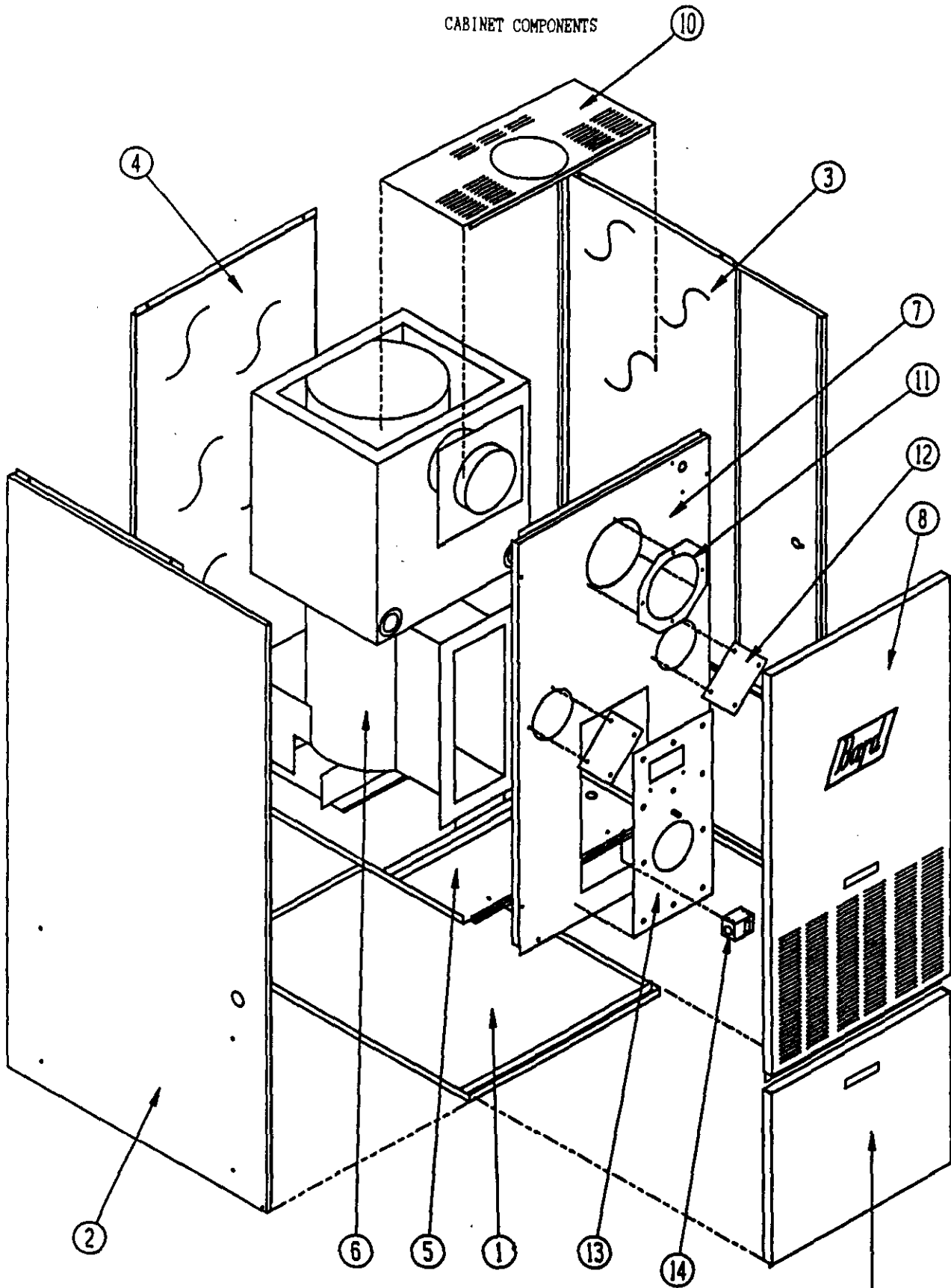
\*\*\*\*\*  
\*\*\* IMPORTANT \*\*\*  
\*\*\*\*\*

Contact the installing and/or local Bard distributor for all parts requirements. Make sure you have the complete model and serial number available from the unit rating plate.

BARD MANUFACTURING COMPANY

BRYAN, OHIO 43506

CABINET COMPONENTS



9 Date: 9-18-89  
Supersedes:

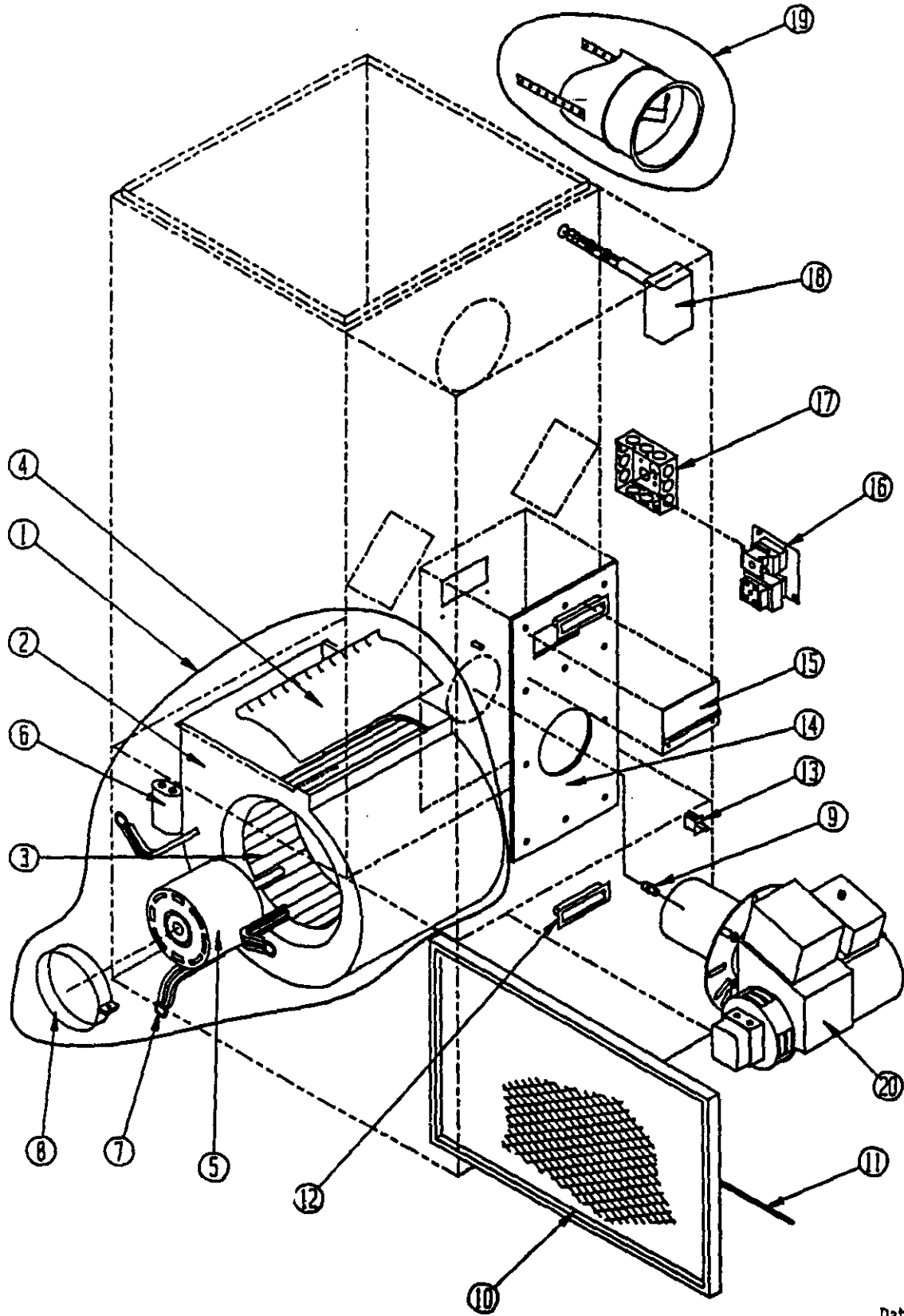
CABINET COMPONENTS

| Dwg. No. | Part No. | Description  | F<br>E<br>O<br>8<br>5<br>D<br>3<br>6<br>B | F<br>H<br>1<br>1<br>O<br>D<br>4<br>8<br>B | F<br>H<br>1<br>1<br>O<br>D<br>6<br>O<br>B |
|----------|----------|--|---|---|---|
| 1        | 127-174  | Lower Base   | x   | x   | x   |
| 2        | 501-201  | Left Side  |   | x   | x   |
| 2        | 501-205  | Left Side  | x   |   |   |
| 3        | 501-200  | Right Side   |   | x   | x   |
| 3        | 501-204  | Right Side   | x   |   |   |
| 4        | 508-077  | Back Assembly  | x   |   |   |
| 4        | 508-076  | Back Assembly  |   | x   | x   |
| 5        | 127-173  | Blower Base  | x   |   |   |
| 5        | 127-170  | Blower Base  |   | x   | x   |
| 6        | 171-166  | Heat Exchanger Assembly<br>(includes combustion chamber part No. 7090-005) (1) | x   |   |   |
| 6        | 171-165  | Heat Exchanger Assembly<br>(includes combustion chamber part No. 7090-005) (1) |   | x   | x   |
| 7        | 520-146  | Burner Partition   | x   |   |   |
| 7        | 520-141  | Burner Partition   |   | x   | x   |
| 8        | 152-180  | Burner Door  | x   |   |   |
| 8        | 152-176  | Burner Door  |   | x   | x   |
| 9        | 152-155  | Blower Door  | x   | x   | x   |
| 10       | 106-052  | Top Fill   | x   | x   | x   |
| 11       | 166-007  | Smoke Pipe Collar  | x   | x   | x   |
| 12       | 542-024  | Cleanout Cover Plates  | 2   | 2   | 2   |
| 13       | 161-027  | Front Plate Assembly   | x   | x   | x   |
| 14       | 112-031  | Door Switch Bracket  | x   | x   | x   |

(1) Combustion chamber part No. 7090-005 may be ordered separately.

Date: 1-3-91  
Supersedes: 1-10-90

FUNCTIONAL COMPONENTS



Date: 9-18-89  
Supersedes:

FUNCTIONAL COMPONENTS

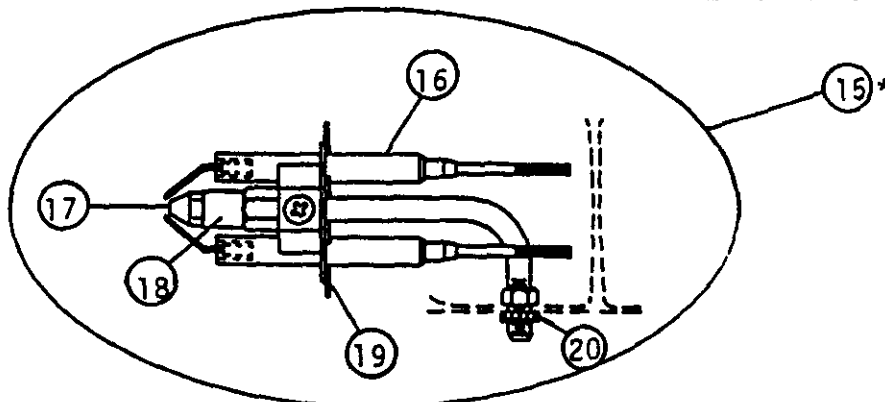
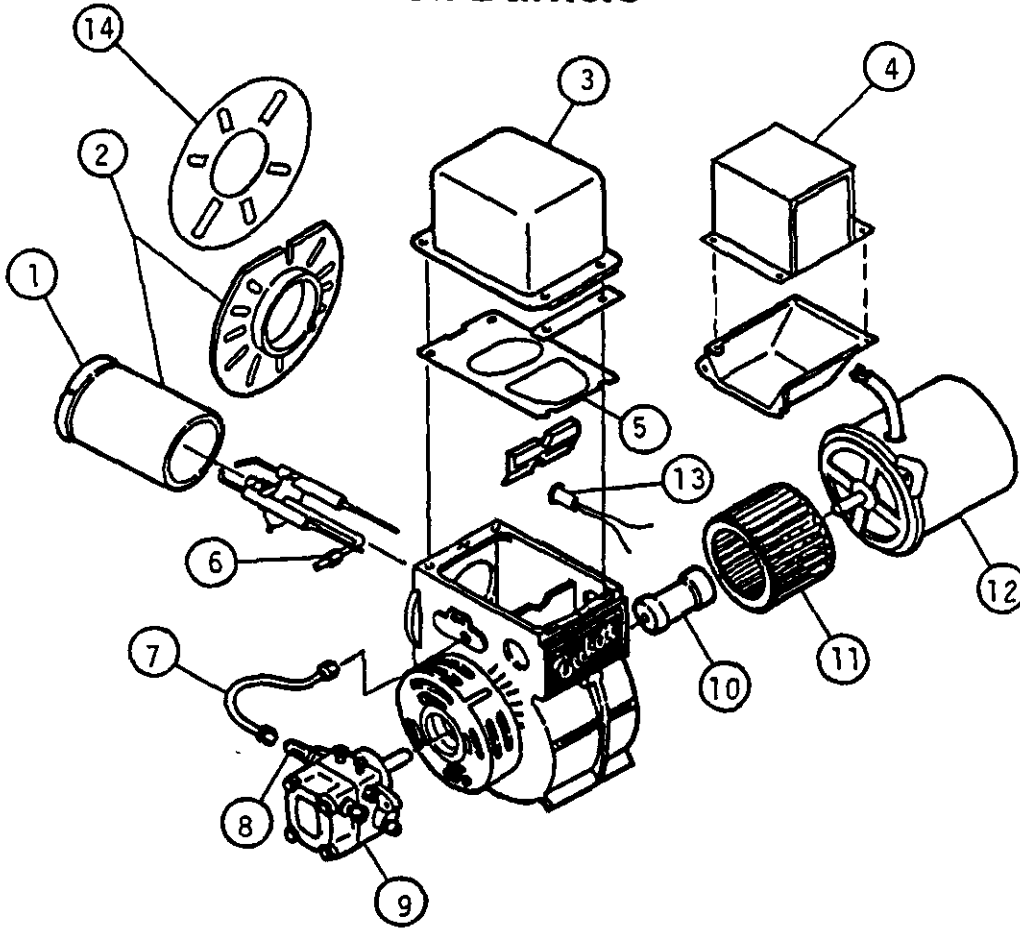
| Dwg. No. | Part No. | Description                 | F<br>H<br>O<br>8<br>5<br>D<br>D<br>3<br>6<br>B | F<br>H<br>1<br>1<br>O<br>D<br>4<br>8<br>B | F<br>H<br>1<br>1<br>O<br>D<br>6<br>8<br>B |
|----------|----------|-----------------------------|--|---|---|
| 1        | 900-156  | Blower Assembly             | X  |   |   |
| 1        | 900-111  | Blower Assembly             |  | X   |   |
| 1        | 900-166  | Blower Assembly             |  |   | X   |
| 2        | 144-15   | Blower Housing Assembly     | X  |   |   |
| 2        | 144-13   | Blower Housing Assembly     |  | X   |   |
| 2        | 5152-0   | Blower Housing Assembly (1) |  |   | X   |
| 3        | 5152-013 | Blower Wheel                | X  |   |   |
| 3        | 5152-053 | Blower Wheel                |  |   | X   |
| 3        | 5152-059 | Blower Wheel                |  | X   |   |
| 4        | 144-127  | Diffuser                    | X  |   |   |
| 4        | 144-129  | Diffuser                    |  | X   |   |
| 4        | NA       | Diffuser (1)                |  |   | X   |
| 5        | 8105-008 | Motor 1/3 HP                | X  |   |   |
| 5        | 8106-018 | Motor 1/2 HP                |  | X   |   |
| 5        | 8107-004 | Motor 3/4 HP                |  |   | X   |
| 6        | 8552-002 | Capacitor 5/370 MFD         | X  |   |   |
| 6        | 8552-004 | Capacitor 7-1/2 /370 MFD    |  | X   |   |
| 6        | 8552-026 | Capacitor 15/370 MFD        |  |   | X   |
| 7        | 8200-034 | Motor Mount Arm             | 3  | 3   |   |
| 7        | 8200-035 | Motor Mount Arm             |  |   | 3   |
| 8        | 8200-033 | Motor Mount Band            | X  | X   | X   |
| 9        | 9011-001 | Nozzle .75 GPH 80 degree    | X  |   |   |
| 9        | 9011-003 | Nozzle 1.00 GPH 80 degree   |  | X   | X   |
| 10       | 7003-004 | Permanent Filter 16x25x1    | X  | X   | X   |
| 11       | 5401-002 | Spring                      | X  | X   | X   |
| 12       | 1171-025 | Door Pull                   | 2  | 2   | 2   |
| 13       | 8406-013 | Door Switch                 | X  | X   | X   |
| 14       | 1921-021 | Front Plate Gasket          | X  | X   | X   |
| 15       | 5400-003 | Inspection Door Hinge       | X  | X   | X   |
| 16       | 8201-006 | Fan Center--Two Speed       | X  | X   | X   |
| 17       | 8614-001 | Square Outlet Box           | X  | X   | X   |
| 18       | 8402-043 | Fan/Limit Control           | X  | X   | X   |
| 19       | 8601-031 | Barometric Damper           | X  | X   | X   |
| 20       | 9020-017 | Burner Assembly             | X  | X   | X   |

(1) Balloon No. 2 part No. 5152-050 includes housing, diffuser, and blower wheel part No. 5152-053.

Date: 7-3-97  
Supersedes: 1-10-90

## Burner Replacement Parts

### Oil Burners



**Nozzle Line Electrode Assembly**

\*Nozzle is not included in assembly.

Date: 9-18-89  
Supersedes:

BURNER COMPONENTS

| Dwg. No. | Part No. | Beckett Part No. | Description                                      | F<br>H<br>O<br>8<br>5<br>D<br>3<br>6<br>B | F<br>H<br>1<br>1<br>O<br>D<br>4<br>8<br>B |
|----------|----------|------------------|--|---|---|
| 1        | 9022-003 | F3               | Head   | X   | X   |
| 2        | 9022-004 | 51236007BK       | Air Tube and Flange Assembly<br>7-5/8" Insertion | X   | X   |
| 3        | 9022-022 | 5878U            | Transformer w/Gasket AFG                         | X   | X   |
| 4        | 9022-005 | 7296U            | Primary Control                                  | X   | X   |
| 5        | 9022-006 | 31405            | Transformer Gasket                               | X   | X   |
| 6        | 9022-007 | 571801           | Bulkhead Fitting                                 | X   | X   |
| 7        | 9022-008 | 5636             | Connector Tube                                   | X   | X   |
| 8        | 9022-009 | 2256             | Pump Outlet Elbow                                | X   | X   |
| 9        | 9022-010 | 2460U            | Pump, Single Stage                               | X   | X   |
| 10       | 9022-011 | 2454             | Coupling   | X   | X   |
| 11       | 9022-012 | 2459U            | Blower   | X   | X   |
| 12       | 9022-013 | 2456U            | Motor 1/7 HP 3450 RPM                            | X   | X   |
| 13       | 9022-020 | 5963001          | Cad Cell   | X   | X   |
| 14       | 9022-021 | 3811             | Mounting Flange Gasket                           | X   | X   |
| 15       | 9022-014 | NL90YH           | Nozzle Line Electrode Assembly                   | X   | X   |
| 16       | 9022-017 | 5780             | Electrode Insulator Assembly                     | X   | X   |
| 17       | 9011-001 |                  | Nozzle .75 GPH 80 degree A                       | X   |   |
| 17       | 9011-003 |                  | Nozzle 1.00 GPH 80 degree A                      |   | X   |
| 18       | 9022-016 | 213U             | Nozzle Adapter, Single                           | X   | X   |
| 19       | 9022-023 | 3384P            | Static Plate 3-3/8"                              | X   | X   |
| 20       | 9022-018 | 3666             | Bulkhead Fitting Locknut                         | X   | X   |

Date: 5-18-90  
Supersedes: 9-18-89

1

2

3