

# REPLACEMENT PARTS MANUAL

## MPG-C SUFFIX SERIES

### GAS FURNACES

BTU/HR:	40,000	60,000	80,000
	100,000	120,000	140,000

Manual 2110-865

Revision B

Date 01-04-95

Supersedes 10-27-94

\*\*\*\*\*  
\* GENERAL NOTES \*  
\*\*\*\*\*

\*Revised and/or additional pages may be issued from time to time.  
\*A complete and current manual consists of pages dated as shown in the following index.

\*\*\*\*\*  
\*\* INDEX \*\*  
\*\*\*\*\*

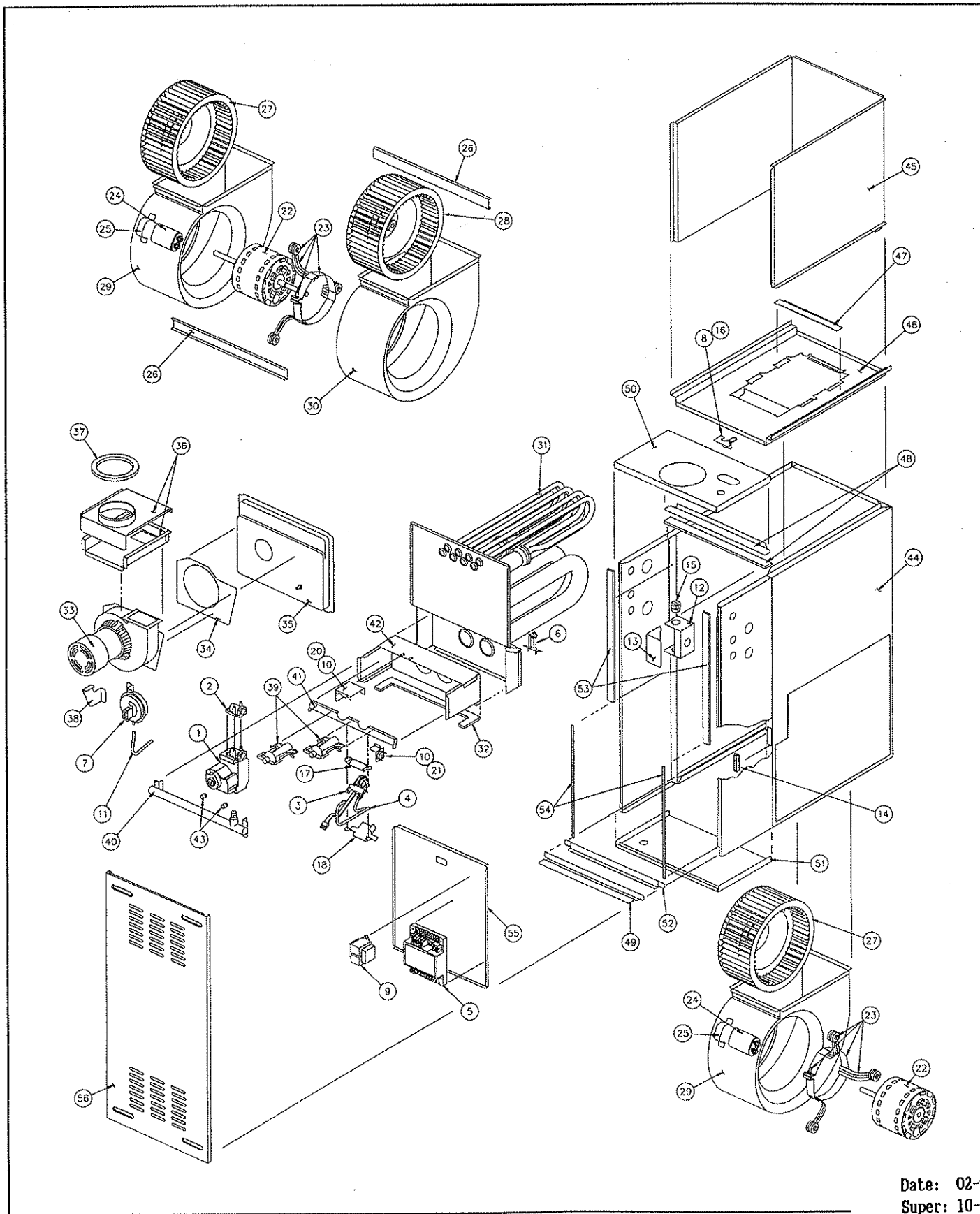
<u>Page Description</u>	<u>Page</u>	<u>Date</u>	<u>Supersedes</u>
Functional Components--Exploded View	1	10-31-94	12-02-92
" " --Usage List	2	01-04-95	10-31-94
" " --Usage Listt	3	10-31-94	12-02-92

\*\*\*\*\*  
\*\*\* IMPORTANT \*\*\*  
\*\*\*\*\*

Contact the installing and/or local distributor for all parts requirements. Make sure you have the complete model and serial number available from the unit rating plate.

# BARD

## PARTS LIST AND SPECIFICATIONS



Date: 02-08-95  
Super: 10-31-94

2110-865  
Page: 1

# FUNCTIONAL PARTS LIST

This parts list promotes easy identification of furnace parts and part numbers. Propane Conversion Kit and Filter Frames are also listed in the parts list.

To use this parts list, locate the part you need in the illustration on the front cover and note the illustration number. Find the illustration number in the far left column of the parts list. Read across the list to locate the part number for the appropriate size furnace.

**EXAMPLE:** You need an inducer motor for a 60,000 Btu/Hr input, 1/3 HP furnace:

1. Find the inducer motor in the illustration and get the illustration number ( in this case 33).
2. Go to the table and read down to illustration number 33.
3. Read across the row to find the part number for the 60,000 Btu/Hr input, 1/3 HP furnace.
4. Read part number 9043-349.

No	Description	Reference Number	40,000 1/4 HP	40,000 1/3 HP	60,000 1/4 HP	60,000 1/3 HP	60,000 1/2 HP	80,000 1/3 HP	80,000 1/2 HP	80,000 3/4 HP	100,000 1/2 HP	100,000 3/4 HP	120,000 3/4 HP	140,000 3/4 HP
<b>CONTROL GROUP</b>														
1	Gas Control - HW Nat (SV9500M)	9043-426	9043-426	9043-426	9043-426	9043-426	9043-426	9043-426	9043-426	9043-426	9043-426	9043-426	9043-426	9043-426
2	Inlet Gas Connector	9043-422	9043-422	9043-422	9043-422	9043-422	9043-422	9043-422	9043-422	9043-422	9043-422	9043-422	9043-422	9043-422
3	Pilot/Ignitor HW Nat (Q3450D)	9043-427	9043-427	9043-427	9043-427	9043-427	9043-427	9043-427	9043-427	9043-427	9043-427	9043-427	9043-427	9043-427
4	Pilot Tubing	9043-302	9043-302	9043-302	9043-302	9043-302	9043-302	9043-302	9043-302	9043-302	9043-302	9043-302	9043-302	9043-302
5	Control Module (ST9141A 1002)	9043-428	9043-428	9043-428	9043-428	9043-428	9043-428	9043-428	9043-428	9043-428	9043-428	9043-428	9043-428	9043-428
6	Primary Limit Switch	9043-304	9043-304	9043-304	9043-304	9043-304	9043-304	9043-304	9043-304	9043-304	9043-304	9043-304	9043-304	9043-304
7	Pressure Switch	9043-311	9043-311	9043-311	9043-311	9043-311	9043-311	9043-311	9043-311	9043-311	9043-311	9043-311	9043-311	9043-311
8	Power Disconnect	9043-429	9043-429	9043-429	9043-429	9043-429	9043-429	9043-429	9043-429	9043-429	9043-429	9043-429	9043-429	9043-429
9	Transformer 40VA	9043-317	9043-317	9043-317	9043-317	9043-317	9043-317	9043-317	9043-317	9043-317	9043-317	9043-317	9043-317	9043-317
10	Burner Limit Switch	9043-318	9043-318	9043-318	9043-318	9043-318	9043-318	9043-318	9043-318	9043-318	9043-318	9043-318	9043-318	9043-318
<b>HARDWARE</b>														
11	Pressure Switch Tubing	9043-318	9043-318	9043-318	9043-318	9043-318	9043-318	9043-318	9043-318	9043-318	9043-318	9043-318	9043-318	9043-318
12	Junction Box	9043-430	9043-430	9043-430	9043-430	9043-430	9043-430	9043-430	9043-430	9043-430	9043-430	9043-430	9043-430	9043-430
13	Junction Box Cover	9043-431	9043-431	9043-431	9043-431	9043-431	9043-431	9043-431	9043-431	9043-431	9043-431	9043-431	9043-431	9043-431
14	Helm Bushing	9043-432	9043-432	9043-432	9043-432	9043-432	9043-432	9043-432	9043-432	9043-432	9043-432	9043-432	9043-432	9043-432
15	Strain Relief	9043-433	9043-433	9043-433	9043-433	9043-433	9043-433	9043-433	9043-433	9043-433	9043-433	9043-433	9043-433	9043-433
16	Disconnect Bracket	9043-434	9043-434	9043-434	9043-434	9043-434	9043-434	9043-434	9043-434	9043-434	9043-434	9043-434	9043-434	9043-434
17	Pilot Mounting Bracket	9043-435	9043-435	9043-435	9043-435	9043-435	9043-435	9043-435	9043-435	9043-435	9043-435	9043-435	9043-435	9043-435
18	Pilot Shield	9043-440	9043-440	9043-440	9043-440	9043-440	9043-440	9043-440	9043-440	9043-440	9043-440	9043-440	9043-440	9043-440
19	Wire Harness Kit (Not Shown)	8552-004	8552-004	8552-004	8552-004	8552-004	8552-004	8552-004	8552-004	8552-004	8552-004	8552-004	8552-004	8552-004
20	Upper Burner Limit Switch Bracket	9043-436	9043-436	9043-436	9043-436	9043-436	9043-436	9043-436	9043-436	9043-436	9043-436	9043-436	9043-436	9043-436
21	Lower Burner Limit Switch Bracket	9043-437	9043-437	9043-437	9043-437	9043-437	9043-437	9043-437	9043-437	9043-437	9043-437	9043-437	9043-437	9043-437
<b>BLOWER GROUP</b>														
22	Blower Assembly (Complete)	9043-435	9043-435	9043-435	9043-435	9043-435	9043-435	9043-435	9043-435	9043-435	9043-435	9043-435	9043-435	9043-435
23	Blower Motor	9043-440	9043-440	9043-440	9043-440	9043-440	9043-440	9043-440	9043-440	9043-440	9043-440	9043-440	9043-440	9043-440
24	Motor Mounting Kit	9043-328	9043-328	9043-328	9043-328	9043-328	9043-328	9043-328	9043-328	9043-328	9043-328	9043-328	9043-328	9043-328
25	Capacitor	8552-004	8552-004	8552-004	8552-004	8552-004	8552-004	8552-004	8552-004	8552-004	8552-004	8552-004	8552-004	8552-004
26	Capacitor Strap	9043-441	9043-441	9043-441	9043-441	9043-441	9043-441	9043-441	9043-441	9043-441	9043-441	9043-441	9043-441	9043-441
27	Blower Housing Support	9043-330	9043-330	9043-330	9043-330	9043-330	9043-330	9043-330	9043-330	9043-330	9043-330	9043-330	9043-330	9043-330
28	Blower Wheel Direct Drive (convex)	9043-444	9043-444	9043-444	9043-444	9043-444	9043-444	9043-444	9043-444	9043-444	9043-444	9043-444	9043-444	9043-444
29	Blower Wheel Direct Drive (concave)	9043-445	9043-445	9043-445	9043-445	9043-445	9043-445	9043-445	9043-445	9043-445	9043-445	9043-445	9043-445	9043-445
30	Blower Housing	9043-444	9043-444	9043-444	9043-444	9043-444	9043-444	9043-444	9043-444	9043-444	9043-444	9043-444	9043-444	9043-444

	9043-340	9043-341	9043-342	9043-343	9043-344	9043-345	9043-346	9043-347	9043-348
<b>HEAT EXCHANGER GROUP</b>									
31 Heat Exchanger Assembly	9043-340	9043-341	9043-342	9043-343	9043-344	9043-345	9043-346	9043-347	9043-348
32 Bottom Bulkhead Gasket									
<b>DRAFT INDUCER GROUP</b>									
33 Draft Inducer Motor Assembly	9043-349	9043-349	9043-349	9043-349	9043-349	9043-349	9043-349	9043-349	9043-349
34 Draft Inducer Motor Gasket	N/A	N/A	N/A	N/A	N/A	N/A	N/A	N/A	N/A
35 Inducer Pan Assembly	9043-352	9043-353	9043-354	9043-355	9043-356	9043-357	9043-358	9043-359	9043-360
36 Flue Box	9043-362	9043-363	9043-363	9043-363	9043-363	9043-363	9043-363	9043-363	9043-363
37 Vent Gasket	9043-365	9043-365	9043-365	9043-365	9043-365	9043-365	9043-365	9043-365	9043-365
38 Flue Box Support									
<b>BURNER GROUP</b>									
39 Main Burner	9043-366	9043-366	9043-366	9043-366	9043-366	9043-366	9043-366	9043-366	9043-366
40 Manifold	9043-367	9043-368	9043-368	9043-368	9043-368	9043-368	9043-368	9043-368	9043-368
41 Main Burner Mount	9043-457	9043-458	9043-458	9043-459	9043-459	9043-460	9043-460	9043-461	9043-462
42 Venturi Plate									
43 Main Burner Orifices	9043-373	9043-373	9043-373	9043-373	9043-373	9043-373	9043-373	9043-373	9043-373
44 Venturi and Manifold	9043-463	9043-464	9043-464	9043-465	9043-465	9043-466	9043-466	9043-467	9043-468
<b>CASING GROUP</b>									
44 Casing	9043-469	9043-469	9043-470	9043-470	9043-471	9043-470	9043-471	9043-471	9043-472
45 Radiation Shield Assembly									
46 Blower Deck									
47 Air Baffle									
48 Insulated Duct Flange									
49 Door Channel									
50 Top Plate Assembly	9043-374	9043-374	9043-375	9043-375	9043-376	9043-375	9043-376	9043-376	9043-377
51 Base Panel	9043-379	9043-379	9043-380	9043-380	9043-381	9043-380	9043-381	9043-381	9043-382
52 Base Support									
53 Herm. Gaskets									
54 Door Gaskets									
<b>ACCESSORY GROUP (Not Shown)</b>									
55 Blower Door (U.S.)	9043-473	9043-473	9043-473	9043-473	9043-473	9043-473	9043-473	9043-473	9043-473
56 Blower Door (Canadian)									
57 Outer Door (U.S.)	9043-477	9043-477	9043-477	9043-477	9043-477	9043-477	9043-477	9043-477	9043-477
58 Blower Door (Canadian)									
59 Bottom Closures (10) Upflow	9043-383	9043-383	9043-384	9043-384	9043-385	9043-384	9043-385	9043-385	9043-386
60 Filters (10) 14x25 Upflow	9043-404	9043-404	9043-404	9043-404	9043-404	9043-404	9043-404	9043-404	9043-404
61 Filters (10) 16x25 Upflow	N/A	N/A	N/A	N/A	N/A	N/A	N/A	N/A	N/A
62 Filters (10) 20x25 Upflow	N/A	N/A	N/A	N/A	N/A	N/A	N/A	N/A	N/A
63 Filters (10) 16x20 (All Downflow)	9043-407	9043-407	9043-407	9043-407	9043-407	9043-407	9043-407	9043-407	9043-407
64 Carbusifion Floor Base 10 (Downflow)	9043-387	9043-387	9043-387	9043-387	9043-387	9043-387	9043-387	9043-387	9043-387
65 Bottom Filter Box (Upflow)	9043-388	9043-388	9043-388	9043-388	9043-388	9043-388	9043-388	9043-388	9043-388
66 Side Filter Cabinet (Upflow)	9043-392	9043-392	9043-392	9043-392	9043-392	9043-392	9043-392	9043-392	9043-392
67 Downflow Filter Kit	9043-393	9043-393	9043-393	9043-393	9043-393	9043-393	9043-393	9043-393	9043-393
68 Nat. to LP Conversion Kit below 6000 ft.	9043-394	9043-394	9043-394	9043-394	9043-394	9043-394	9043-394	9043-394	9043-394
69 Nat. to LP Conversion Kit above 6000 ft.	9043-505	9043-505	9043-505	9043-505	9043-505	9043-505	9043-505	9043-505	9043-505
70 LP to Nat. Conversion Kit below 6000 ft.	9043-395	9043-395	9043-395	9043-395	9043-395	9043-395	9043-395	9043-395	9043-395
71 LP to Nat. Conversion Kit above 6000 ft.	9043-504	9043-504	9043-504	9043-504	9043-504	9043-504	9043-504	9043-504	9043-504
72 California Nox Screen (1) **	9043-402	9043-402	9043-402	9043-402	9043-402	9043-402	9043-402	9043-402	9043-402

\* Input Btu/Hr and Motor horsepower are listed on the furnace rating plate, located on the blower door.  
 \*\* Order one screen for each burner.  
 \*\*\* Consult factory.  
 N/A Not applicable.