

REPLACEMENT PARTS MANUAL

HI-BOY GAS FIRED FURNACES

MODELS H60DB, H80DB, H80D36B, H105D36B, H105D48B, H120D48B,
H120D60B, H140D48B, H160D48B, H200A, EH60DB, EH80DB,
EH80D36B, EH105D36B, EH105D48B, EH120D48B, EH120D60B,
EH140D48B, EH160D48B, EH200A

Manual 2110-851

Revision B

Date 3-22-91

Supersedes 2-19-90

* GENERAL NOTES *

*Revised and/or additional pages may be issued from time to time.
*A complete and current manual consists of pages dated as shown in the following index.

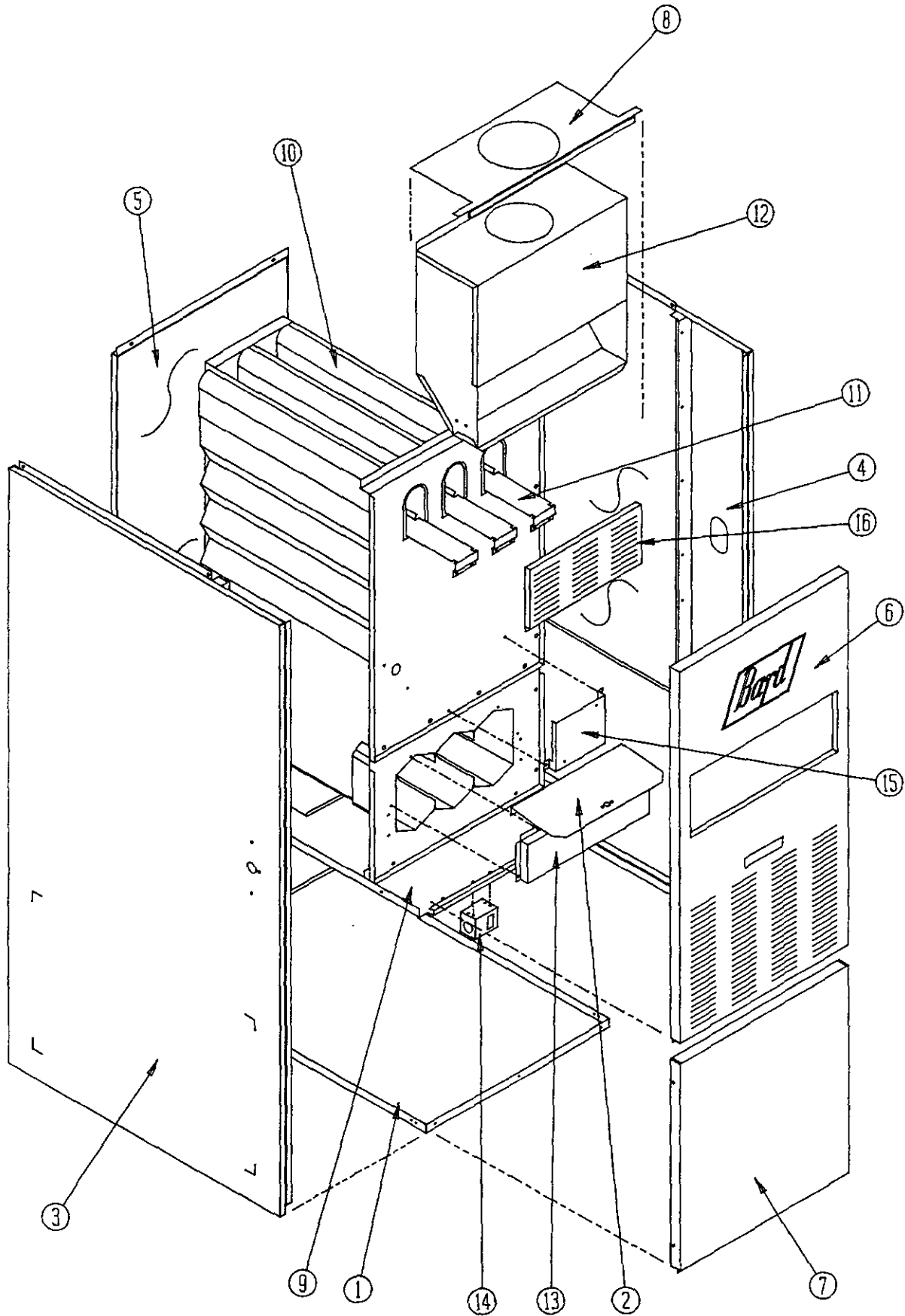
** INDEX **

| <u>Page Description</u> | <u>Page</u> | <u>Date</u> | <u>Supersedes</u> |
|--------------------------------------|-------------|-------------|-------------------|
| Cabinet Components--Exploded View | 1 | 3-22-91 | 2-19-90 |
| " " --Usage List | 2 | 3-22-91 | 2-19-90 |
| Cabinet Components--Exploded View | 3 | 2-19-90 | 12-12-89 |
| " " --Usage List | 4 | 2-19-90 | 12-12-89 |
| Functional Components--Exploded View | 5 | 2-19-90 | 12-12-89 |
| " " --Usage List | 6 | 2-19-90 | 12-12-89 |
| Functional Components--Exploded View | 7 | 2-19-90 | 12-12-89 |
| " " --Usage List | 8 | 2-19-90 | 12-12-89 |
| Functional Components--Exploded View | 9 | 2-19-90 | 12-12-89 |
| " " --Usage List | 10 | 2-19-90 | 12-12-89 |

*** IMPORTANT ***

Contact the installing and/or local Bard distributor for all parts requirements. Make sure you have the complete model and serial number available from the unit rating plate.

CABINET COMPONENTS



Date: 3-22-91
Supersedes: 2-19-90

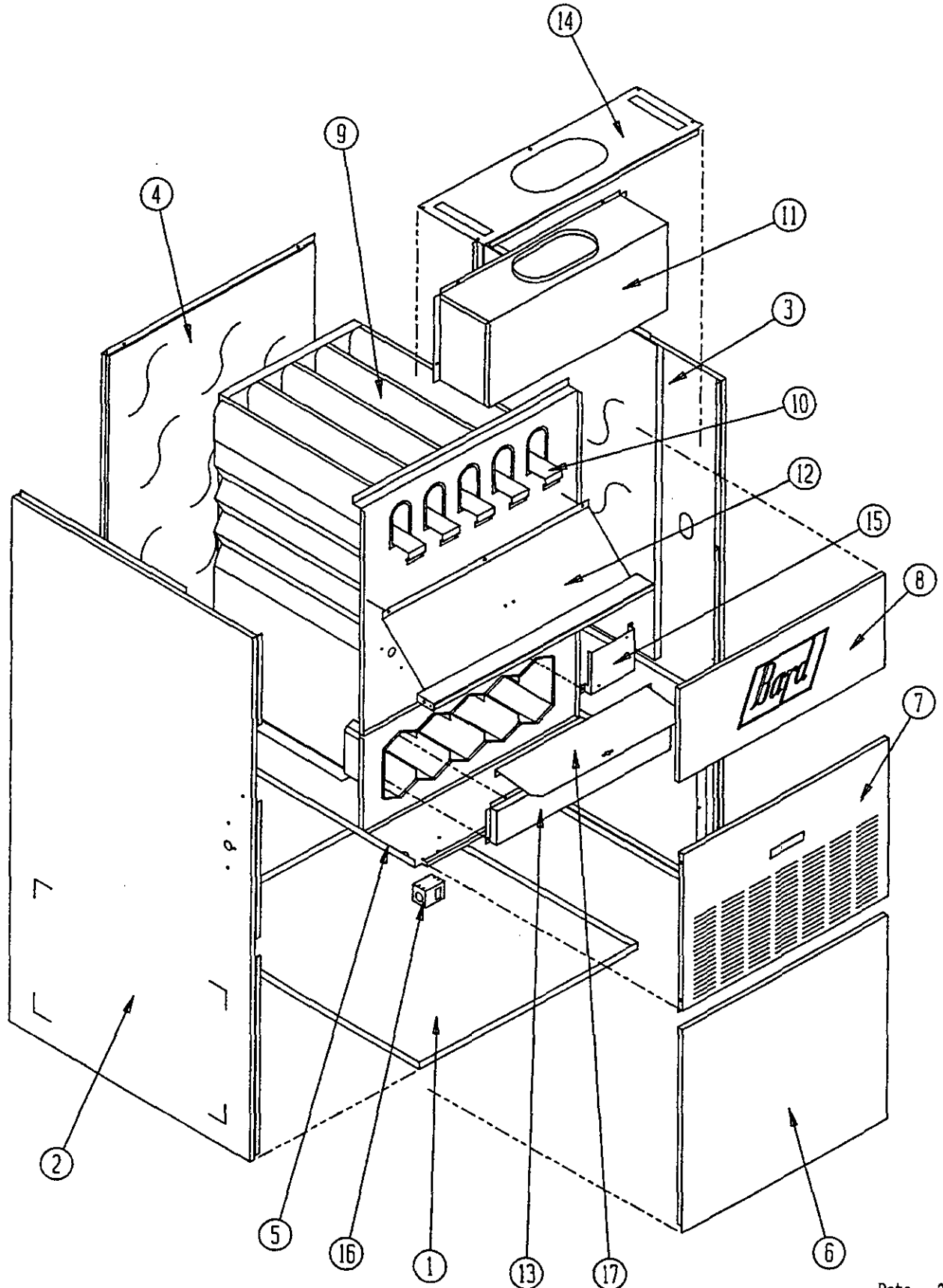
CABINET COMPONENTS

| Item No. | Part No. | Description | H 6 0 D B | E 8 0 D B | H 8 0 D B | E 8 0 D B | H 8 0 D B | E 8 0 D B | H 1 0 5 D B | E 1 0 5 D B | H 1 0 5 D B | E 1 0 5 D B | H 1 2 0 4 D B | E 1 2 0 4 D B | H 1 2 0 6 D B | E 1 2 0 6 D B | H 1 4 0 8 D B | E 1 4 0 8 D B | H 1 6 0 4 D B | E 1 6 0 4 D B | H 1 6 0 8 D B | E 1 6 0 8 D B | |
|----------|----------|----------------------------------|-----------|-----------|-----------|-----------|-----------|-----------|-------------|-------------|-------------|-------------|---------------|---------------|---------------|---------------|---------------|---------------|---------------|---------------|---------------|---------------|---|
| 1 | 127-188 | Lower Base | X | X | X | X | X | X | | | | | | | | | | | | | | | |
| 1 | 127-189 | Lower Base | | | | | | | X | X | X | X | X | X | | | | | | | | | |
| 1 | 127-190 | Lower Base | | | | | | | | | | | | | X | X | X | X | X | X | X | X | X |
| 2 | 140-159 | Switch Support | X | X | X | X | X | X | | | | | | | | | | | | | | | |
| 2 | 140-160 | Switch Support | | | | | | | X | X | X | X | X | X | X | X | | | | | | | |
| 2 | 140-161 | Switch Support | | | | | | | | | | | | | | | X | X | X | X | X | X | X |
| 3 | 501-057 | Left Side | X | X | X | X | X | X | X | X | X | X | X | X | X | X | X | X | X | X | X | X | X |
| 4 | 501-059 | Right Side | X | X | X | X | X | X | X | X | X | X | X | X | X | X | X | X | X | X | X | X | X |
| 5 | 508-017 | Back | X | X | X | X | X | X | | | | | | | | | | | | | | | |
| 5 | 508-018 | Back | | | | | | | X | X | X | X | X | X | | | | | | | | | |
| 5 | 508-019 | Back | | | | | | | | | | | | | X | X | X | X | X | X | X | X | X |
| 6 | 152-036 | Burner Door | X | X | X | X | X | X | | | | | | | | | | | | | | | |
| 6 | 152-038 | Burner Door | | | | | | | X | X | X | X | X | X | | | | | | | | | |
| 6 | 152-042 | Burner Door | | | | | | | | | | | | | | | X | X | X | X | X | X | X |
| 6 | 152-131 | Burner Door | | | | | | | | | | | | | X | X | | | | | | | |
| 7 | 152-037 | Blower Door | X | X | X | X | X | X | | | | | | | | | | | | | | | |
| 7 | 152-039 | Blower Door | | | | | | | X | X | X | X | X | X | | | | | | | | | |
| 7 | 152-043 | Blower Door | | | | | | | | | | | | | X | X | X | X | X | X | X | X | X |
| 8 | 106-036 | Top | X | X | X | X | X | X | | | | | | | | | | | | | | | |
| 8 | 106-037 | Top | | | | | | | X | X | X | X | X | X | | | | | | | | | |
| 8 | 106-038 | Top | | | | | | | | | | | | | | | X | X | X | X | X | X | X |
| 8 | 106-100 | Top | | | | | | | | | | | | | X | X | | | | | | | |
| 9 | 127-118 | Blower Base | X | X | X | X | X | X | | | | | | | | | | | | | | | |
| 9 | 127-119 | Blower Base | | | | | | | X | X | X | X | X | X | | | | | | | | | |
| 9 | 127-120 | Blower Base | | | | | | | | | | | | | X | X | X | X | X | X | X | X | X |
| 10 | 171-136 | Heat Exchanger | X | X | X | X | X | X | | | | | | | | | | | | | | | |
| 10 | 171-161 | Heat Exchanger | | | | | | | X | X | X | X | X | X | | | | | | | | | |
| 10 | 171-150 | Heat Exchanger | | | | | | | | | | | | | X | X | | | | | | | |
| 10 | 171-145 | Heat Exchanger | | | | | | | | | | | | | | | X | X | X | X | X | X | X |
| 11 | 168-015 | Flue Baffles | 2 | 2 | 2 | 2 | 2 | 2 | 3 | 3 | 3 | 3 | 3 | 3 | 3 | 3 | 3 | 4 | 4 | 4 | 4 | 4 | 4 |
| 12 | 913-0049 | Draft Hood | X | X | X | X | X | X | | | | | | | | | | | | | | | |
| 12 | 913-0056 | Draft Hood | | | | | | | X | X | X | X | | | | | | | | | | | |
| 12 | 913-0051 | Draft Hood | | | | | | | | | | | X | X | X | X | | | | X | X | X | X |
| 12 | 913-0052 | Draft Hood | | | | | | | | | | | | | X | X | | | | | | | |
| 13 | 168-003 | Secondary Air Baffle | X | X | X | X | X | X | | | | | | | | | | | | | | | |
| 13 | 168-008 | Secondary Air Baffle | | | | | | | X | X | X | X | X | X | X | X | | | | | | | |
| 13 | 168-010 | Secondary Air Baffle | | | | | | | | | | | | | | | X | X | X | X | X | X | X |
| 14 | 112-031 | Switch Bracket | X | X | X | X | X | X | X | X | X | X | X | X | X | X | X | X | X | X | X | X | X |
| 15 | 112-099 | Election Ignition Module Bracket | | X | | X | | X | | | X | | X | | X | | X | | X | | X | | X |
| 16 | 168-014 | Flue Restrictor | X | X | | | | | | | | | | | | | | | | | | | |
| 16 | 168-016 | Flue Restrictor | | | | | | | X | X | X | X | | | | | | | | | | | |
| 16 | 168-017 | Flue Restrictor | | | | | | | | | | | | | | | X | X | | | | | |

Date: 3-22-91
Supersedes: 2-19-90

2110-851

CABINET COMPONENTS



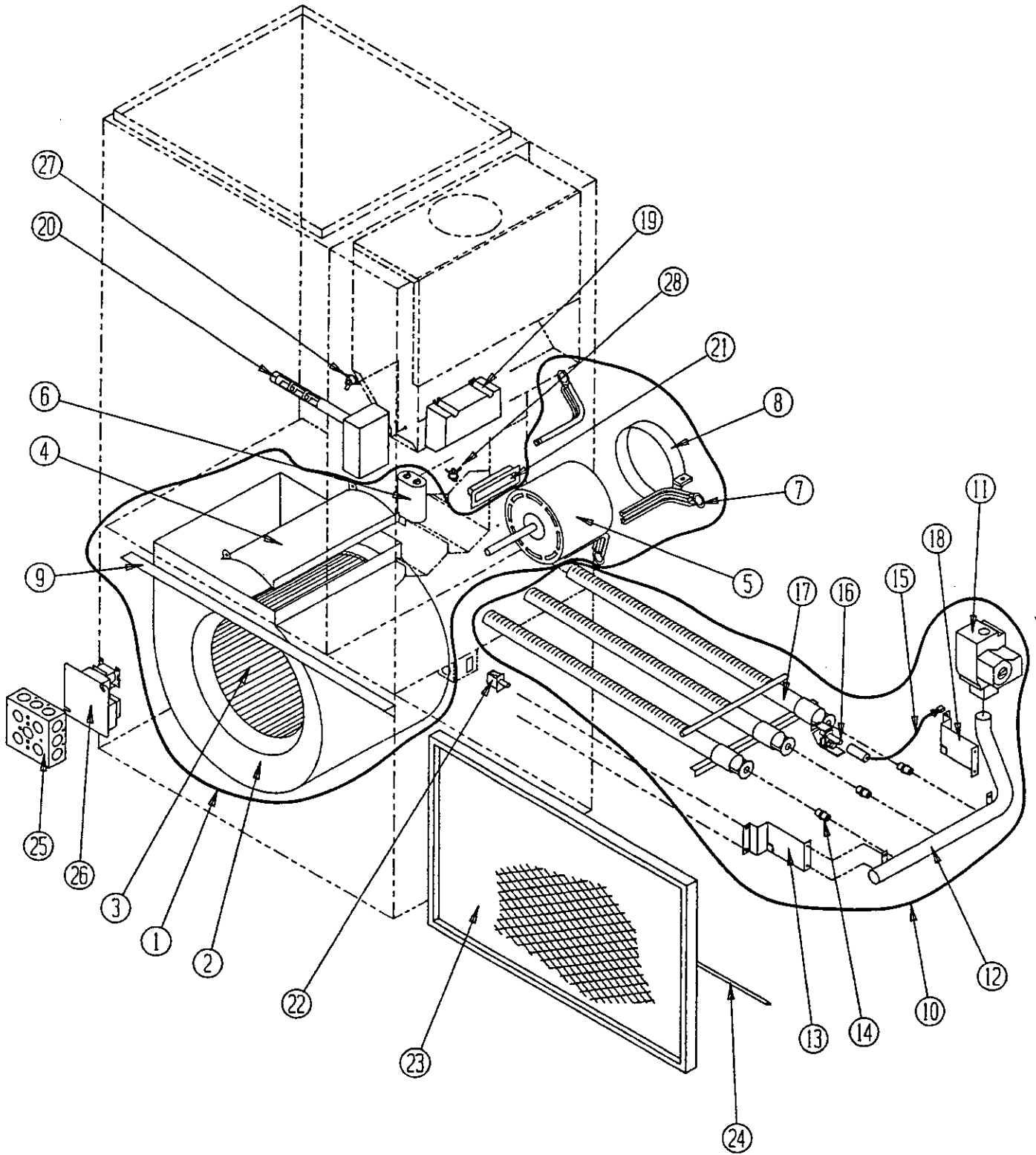
Date: 2-19-90
Supersedes: 12-12-90

CABINET COMPONENTS

| Dwg. No. | Part No. | Description | H 2 O O A | E H 2 O O A |
|----------|----------|----------------------------------|-----------------------|----------------------------|
| 1 | 126-051 | Lower Base | X | X |
| 2 | 501-063 | Left Side | X | X |
| 3 | 501-062 | Right Side | X | X |
| 4 | 508-020 | Back | X | X |
| 5 | 127-121 | Blower Base | X | X |
| 6 | 153-046 | Blower Door | X | X |
| 7 | 152-045 | Burner Door | X | X |
| 8 | 114-018 | Upper Front | X | X |
| 9 | 171-154 | Heat Exchanger Assembly | X | X |
| 10 | 168-015 | Flue Baffles | X | X |
| 11 | 913-0013 | Draft Hood Assembly | X | X |
| 12 | 913-0026 | Diverter Seal Assembly | X | X |
| 13 | 168-018 | Secondary Air Baffle | X | X |
| 14 | 106-039 | Top | X | X |
| 15 | 112-099 | Bracket Electric Ignition Module | | X |
| 16 | 112-031 | Switch Bracket | X | X |
| 17 | 140-162 | Switch Support | X | X |

Date: 2-19-90
Supersedes: 12-12-89

FUNCTIONAL COMPONENTS



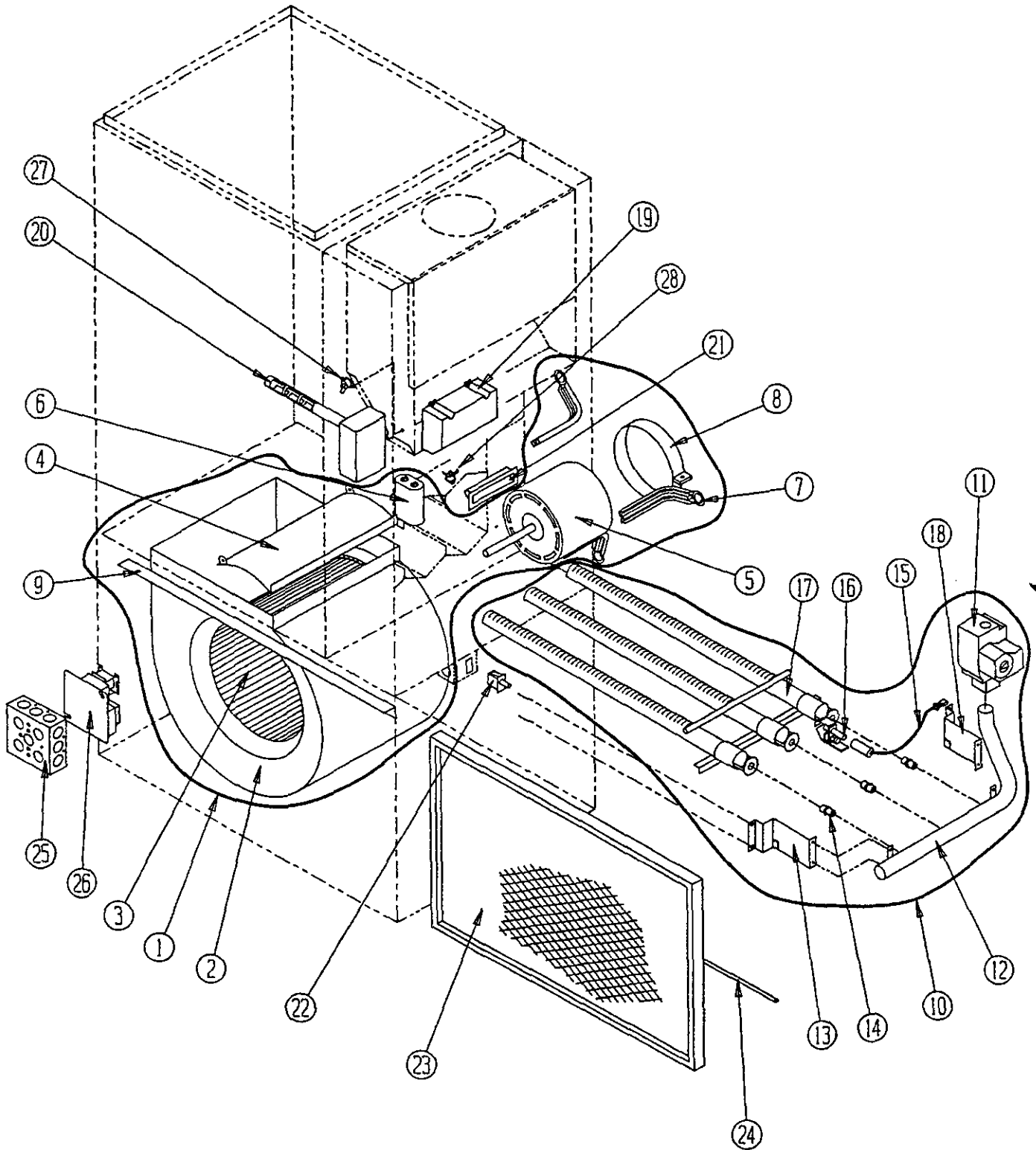
Date: 2-19-90
Supersedes: 12-12-89

FUNCTIONAL COMPONENTS

| Item No. | Part No. | Description | H 6 0 D B | E 8 0 D B | H 8 0 D B | E 8 0 D B | H 8 0 D B | E 8 0 D B | H 1 0 5 D 3 B | E 1 0 5 D 3 B | H 1 0 5 D 4 B | E 1 0 5 D 4 B | H 1 2 0 D 4 B | E 1 2 0 D 4 B | H 1 2 0 D 6 B | E 1 2 0 D 6 B | H 1 4 0 D 4 B | E 1 4 0 D 4 B | H 1 6 0 D 4 B | E 1 6 0 D 4 B |
|----------|----------|----------------------------|-----------|-----------|-----------|-----------|-----------|-----------|---------------|---------------|---------------|---------------|---------------|---------------|---------------|---------------|---------------|---------------|---------------|---------------|
| 1 | 900-105 | Complete Burner Assembly | X | X | | | | | | | | | | | | | | | | |
| 1 | 900-106 | Complete Burner Assembly | | | X | X | | | | | | | | | | | | | | |
| 1 | 900-107 | Complete Burner Assembly | | | | | X | X | | | | | | | | | | | | |
| 1 | 900-108 | Complete Burner Assembly | | | | | | | | X | X | X | X | | | | | | | |
| 1 | 900-109 | Complete Burner Assembly | | | | | | | X | X | | | | | | | | | | |
| 1 | 900-110 | Complete Burner Assembly | | | | | | | | | | | | | | | X | X | X | X |
| 1 | 900-068 | Complete Burner Assembly | | | | | | | | | | | | X | X | | | | | |
| 2 | 151-069 | Blower Housing | X | X | X | X | X | X | X | | | | | | | | | | | |
| 2 | 151-073 | Blower Housing | | | | | | | | X | X | X | X | | | | | | | |
| 2 | 5152-050 | Housing and Wheel Assembly | | | | | | | | | | | | X | X | | | | | |
| 2 | 151-074 | Blower Housing | | | | | | | | | | | | | | | X | X | X | X |
| 3 | 5152-003 | Blower Wheel | X | X | | | | | | | | | | | | | | | | |
| 3 | 5152-004 | Blower Wheel | | | X | X | | | | | | | | | | | | | | |
| 3 | 5152-010 | Blower Wheel | | | | | X | X | | | | | | | | | | | | |
| 3 | 5152-014 | Blower Wheel | | | | | | | | X | X | X | X | | | | | | | |
| 3 | 5152-010 | Blower Wheel | | | | | | | X | X | | | | | | | | | | |
| 3 | 5152-059 | Blower Wheel | | | | | | | | | | | | | | | X | X | X | X |
| 4 | 144-125 | Diffuser | X | X | X | X | X | X | X | | | | | | | | | | | |
| 4 | 144-128 | Diffuser | | | | | | | | X | X | X | X | | | | | | | |
| 4 | 144-129 | Diffuser | | | | | | | | | | | | | | | X | X | X | X |
| 5 | 8102-005 | Motor | X | X | X | X | | | | | | | | | | | | | | |
| 5 | 8105-008 | Motor | | | | | X | X | X | X | | | | | | | | | | |
| 5 | 8105-009 | Motor | | | | | | | | X | X | X | X | | | | | | | |
| 5 | 8107-004 | Motor | | | | | | | | | | | | X | X | | | | | |
| 5 | 8106-018 | Motor | | | | | | | | | | | | | | | X | X | X | X |
| 6 | 8552-002 | Capacitor 5/370 | | | | | X | X | X | X | X | X | X | | | | | | | |
| 6 | 8552-004 | Capacitor 7-1/2 / 370 | | | | | | | | | | | | | | | X | X | X | X |
| 6 | 8552-026 | Capacitor 15/370 | | | | | | | | | | | | X | X | | | | | |
| 7 | 8200-034 | Motor Mount Arms | 3 | 3 | 3 | 3 | | | | | 3 | 3 | 3 | 3 | | | 3 | 3 | 3 | 3 |
| 7 | 8200-036 | Motor Mount Arms | | | | | 3 | 3 | 3 | 3 | | | | | | | | | | |
| 7 | 8200-035 | Motor Mount Arms | | | | | | | | | | | | 3 | 3 | | | | | |
| 8 | 8200-033 | Motor Mount Band | X | X | X | X | X | X | X | X | X | X | X | X | X | X | X | X | X | X |
| 9 | 104-793 | Blower Angle | 2 | 2 | 2 | 2 | 2 | 2 | | | | | | | | | | | | |
| 9 | 104-790 | Blower Angle | | | | | | | 2 | 2 | | | | | | | | | | |
| 9 | 104-792 | Blower Angle | | | | | | | | | 2 | 2 | 2 | 2 | | | 2 | 2 | 2 | 2 |
| 9 | 104-733 | Blower Angle | | | | | | | | | | | | 2 | 2 | | | | | |
| 10 | 901-0042 | Complete Burner Assembly | X | | | | | | | | | | | | | | | | | |
| 10 | 901-0040 | Complete Burner Assembly | | X | | | | | | | | | | | | | | | | |
| 10 | 901-0043 | Complete Burner Assembly | | | X | | X | | | | | | | | | | | | | |
| 10 | 901-0044 | Complete Burner Assembly | | | | X | | X | | | | | | | | | | | | |
| 10 | 901-0052 | Complete Burner Assembly | | | | | | | X | | X | | | | | | | | | |
| 10 | 901-0054 | Complete Burner Assembly | | | | | | | | X | | X | | | | | | | | |
| 10 | 901-0053 | Complete Burner Assembly | | | | | | | | | | | X | | X | | | | | |
| 10 | 901-0055 | Complete Burner Assembly | | | | | | | | | | | | X | | X | | | | |
| 10 | 901-0063 | Complete Burner Assembly | | | | | | | | | | | | | | | X | | | |
| 10 | 901-0065 | Complete Burner Assembly | | | | | | | | | | | | | | | | X | | |
| 10 | 901-0064 | Complete Burner Assembly | | | | | | | | | | | | | | | | | X | |
| 10 | 901-0066 | Complete Burner Assembly | | | | | | | | | | | | | | | | | | X |

Date: 2-19-90
Supersedes: 12-12-89

FUNCTIONAL COMPONENTS



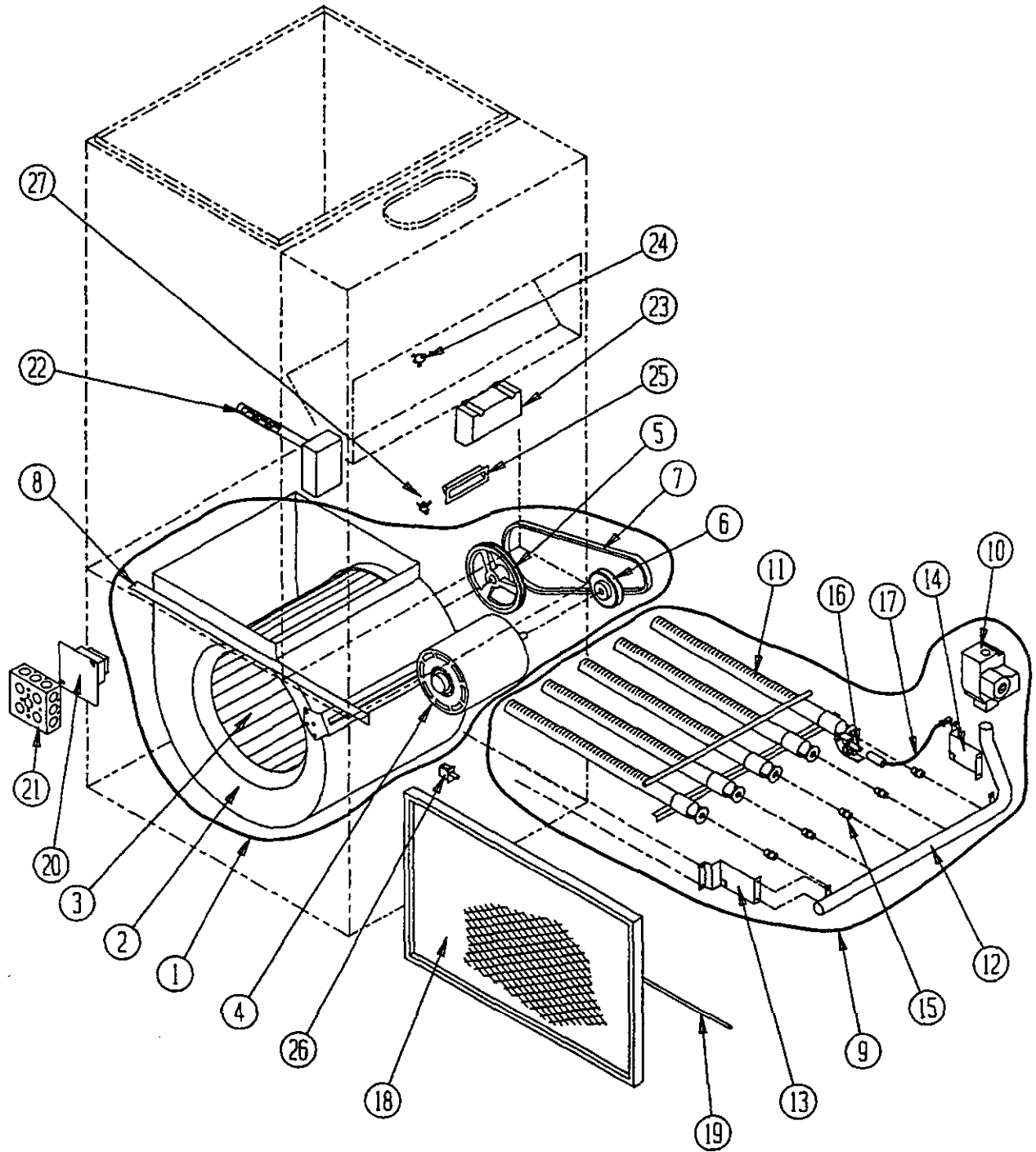
Date: 2-19-90
Supersedes: 12-12-89

FUNCTIONAL COMPONENTS

| Item No. | Part No. | Description | H 6 0 D B | E 6 0 D B | H 8 0 D B | E 8 0 D B | H 8 0 D 3 6 B | E 8 0 D 3 6 B | H 1 0 5 D 3 6 B | E 1 0 5 D 3 6 B | H 1 0 5 D 4 8 B | E 1 0 5 D 4 8 B | H 1 2 0 D 4 8 B | E 1 2 0 D 4 8 B | H 1 2 0 D 6 0 B | E 1 2 0 D 6 0 B | H 1 4 0 D 4 8 B | E 1 4 0 D 4 8 B | H 1 6 0 D 4 8 B | E 1 6 0 D 4 8 B |
|----------|----------|------------------------|-----------------------|-----------------------|-----------------------|-----------------------|---------------------------------|---------------------------------|--------------------------------------|--------------------------------------|--------------------------------------|--------------------------------------|--------------------------------------|--------------------------------------|--------------------------------------|--------------------------------------|--------------------------------------|--------------------------------------|--------------------------------------|--------------------------------------|
| 11 | 5651-061 | Gas Valve | x | | x | | x | | x | | x | | x | | x | | | | | |
| 11 | 5651-062 | Gas Valve | | x | | x | | x | | x | | x | | x | | | | | | |
| 11 | 5651-032 | Gas Valve | | | | | | | | | | | | | | | x | | x | |
| 11 | 5651-023 | Gas Valve | | | | | | | | | | | | | | | | x | | x |
| 12 | 5818-019 | Burner Manifold | x | x | x | x | x | x | | | | | | | | | | | | |
| 12 | 5818-020 | Burner Manifold | | | | | | | x | x | x | x | x | x | x | x | | | | |
| 12 | 5818-021 | Burner Manifold | | | | | | | | | | | | | | | x | x | x | x |
| 13 | 112Y095 | Left Manifold Bracket | x | x | x | x | x | x | x | x | x | x | x | x | x | x | x | x | x | x |
| 14 | 9010-010 | Burner Orifice | 2 | 2 | | | | | | | | | | | | | | | | |
| 14 | 9010-008 | Burner Orifice | | | 2 | 2 | 2 | 2 | | | | | 3 | 3 | 3 | 3 | | | | |
| 14 | 9010-009 | Burner Orifice | | | | | | | 3 | 3 | 3 | 3 | | | | | 4 | 4 | | |
| 15 | 8554-003 | Thermocouple 18" | x | | x | | x | | x | | x | | x | | x | | x | | x | |
| 15 | 8600-009 | Ignition Wire | | x | | x | | x | | x | | x | | x | | x | | x | | x |
| 16 | 8554-002 | Standing Pilot | x | | x | | x | | x | | x | | x | | x | | x | | x | |
| 16 | 8554-009 | Intermittent Pilot | | x | | x | | x | | x | | x | | x | | x | | x | | x |
| 17 | 9010-036 | Burner 2-Cell | x | x | x | x | x | x | | | | | | | | | | | | |
| 17 | 9010-037 | Burner 3-Cell | | | | | | | x | x | x | x | x | x | x | | | | | |
| 17 | 9010-038 | Burner 4-Cell | | | | | | | | | | | | | | | x | x | x | x |
| 18 | 112X095 | Right Manifold Bracket | x | x | x | x | x | x | x | x | x | x | x | x | x | x | x | x | x | x |
| 19 | 5651-073 | Ignition Module | | x | | x | | x | | x | | x | | x | | x | | x | | x |
| 20 | 8402-001 | Fan and Limit Control | x | x | x | x | | | | | | | | | | | | | | |
| 20 | 8402-042 | Fan and Limit Control | | | | | x | x | x | x | x | x | x | x | x | x | x | x | x | x |
| 21 | 1171-025 | Plastic Door Pull | x | x | x | x | x | x | x | x | x | x | x | x | x | x | x | x | x | x |
| 22 | 8406-013 | Switch | x | x | x | x | x | x | x | x | x | x | x | x | x | x | x | x | x | x |
| 23 | 7003-004 | Filter 16 x 25 x 1 | x | x | x | x | x | x | x | x | x | x | x | x | 2 | 2 | x | x | x | x |
| 24 | 5401-002 | Spring | x | x | x | x | x | x | x | x | x | x | x | x | 2 | 2 | x | x | x | x |
| 25 | 8614-001 | Square Outlet Box | x | x | x | x | x | x | x | x | x | x | x | x | x | x | x | x | x | x |
| 26 | 8407-006 | Transformer | x | | x | | | | | | | | | | | | | | | |
| 26 | 8407-025 | Transformer | | x | | x | | | | | | | | | | | | | | |
| 26 | 8201-006 | Fan Center | | | | | x | x | x | x | x | x | x | x | x | x | x | x | x | x |
| 27 | 8406-034 | Spill Switch | x | x | | | | | x | x | x | | | | | | | | | |
| 27 | 8406-036 | Spill Switch | | | x | x | x | x | | | | | | | | | x | x | | |
| 27 | 8406-037 | Spill Switch | | | | | | | | | | x | x | x | x | | | | | |
| 27 | 8406-038 | Spill Switch | | | | | | | | | | | | | | | | | x | x |
| 28 | 8406-038 | Flame Rollout Switch | x | x | x | x | x | x | x | x | x | x | x | x | x | | | | | |
| 28 | 8406-046 | Flame Rollout Switch | | | | | | | | | | | | | | | x | x | x | x |
| | 4046-110 | Wiring Diagram | x | | x | | | | | | | | | | | | | | | |
| | 4046-112 | Wiring Diagram | | | | x | | x | | x | | x | | x | | | x | | x | |
| | 4046-114 | Wiring Diagram | | x | | x | | | | | | | | | | | | | | |
| | 4046-116 | Wiring Diagram | | | | | x | | x | | x | | x | | x | | x | | x | |

Date: 2-19-90
Supersedes: 12-12-89

FUNCTIONAL COMPONENTS



Date: 2-19-90
Supersedes: 12-12-89

FUNCTIONAL COMPONENTS

| Dwg. No. | Part No. | Description | H 2 O O A | E H 2 O O A |
|----------|----------|------------------------------------|-----------------------|----------------------------|
| 1 | 900-019 | Blower Assembly | X | X |
| 2 | 5152-041 | Blower Housing, Wheel and Assembly | X | X |
| 3 | 5152-042 | Blower Wheel Only | X | X |
| 4 | 8106-001 | Motor | X | X |
| 5 | 5501-012 | Cast Iron Pulley | X | X |
| 6 | 5501-015 | Cast Iron Pulley | X | X |
| 7 | 5601-004 | Belt 39" | X | X |
| 8 | 104-731 | Angle | X | X |
| 9 | 901-0078 | Burner Assembly | | X |
| 9 | 901-0077 | Burner Assembly | X | |
| 10 | 5651-023 | Natural Valve | | X |
| 10 | 5651-032 | Natural Valve | X | |
| 11 | 9010-039 | Burner 5-Cell | X | X |
| 12 | 5818-022 | Burner Manifold | X | X |
| 13 | 112Y095 | Left Manifold Bracket | X | X |
| 14 | 112X095 | Right Manifold Bracket | X | X |
| 15 | 9010-008 | Orifice | X | X |
| 16 | 8554-009 | Intermittent Pilot | | X |
| 16 | 8554-002 | Standing Pilot | X | |
| 17 | 8600-009 | Ignition Wire | | X |
| 18 | 7003-004 | Filter 16 x 25 x 1 | X | X |
| 19 | 5401-002 | Spring | X | X |
| 20 | 8407-025 | Transformer | | X |
| 20 | 8407-006 | Transformer | X | |
| 21 | 8614-001 | Square Outlet Box 4" | X | X |
| 22 | 8402-007 | Fan and Limit Control | X | X |
| 23 | 5651-073 | Ignition Module | | X |
| 24 | 8406-038 | Spill Switch | X | X |
| 25 | 1171-025 | Door Pull | X | X |
| 26 | 8406-013 | Switch | X | X |
| 27 | 8406-046 | Flame Rollout Switch | X | X |
| | 4046-110 | Wiring Diagram | X | |
| | 4046-112 | Wiring Diagram | | X |

Date: 2-19-90
Supersedes: 12-12-89

