
REPLACEMENT PARTS MANUAL

WALL MOUNTED GAS/ELECTRIC

MODELS:

| | | |
|---------|---------|---------|
| W24G1-A | W24G1-B | W24G1-C |
| W30G1-A | W30G1-B | W30G1-C |
| W36G1-A | W36G1-B | W36G1-C |

General Notes

- Revised and/or additional pages may be issued from time to time.
- A complete and current manual consists of pages shown in the following contents section.

Important

- Contact the installing and/or local Bard distributor for all parts requirements. Make sure you have the complete model and serial number available from the unit rating plates.

Contents

| <i>Description</i> | <i>Page</i> |
|-----------------------|-------------|
| Cabinet Components | |
| ♦ Exploded View | 2 |
| ♦ Usage List | 3 |
| ♦ Usage List | 4 |
| ♦ Usage List | 5 |
| ♦ Usage List | 6 |
| ♦ Usage List | 7 |
| ♦ Usage List | 8 |
| ♦ Blank Page | 9 |
| Functional Components | |
| ♦ Exploded View | 10 |
| ♦ Usage List | 11 |
| ♦ Usage List | 12 |
| ♦ Usage List | 13 |
| Burner Components | |
| ♦ Exploded View | 14 |
| ♦ Usage List | 15 |
| ♦ Usage List | 16 |
| ♦ Usage List | 17 |
| Control Panel | |
| ♦ Layout | 18 |
| ♦ Usage List | 19 |
| Blower Assembly | |
| ♦ Exploded View | 20 |
| ♦ Usage List | 20 |

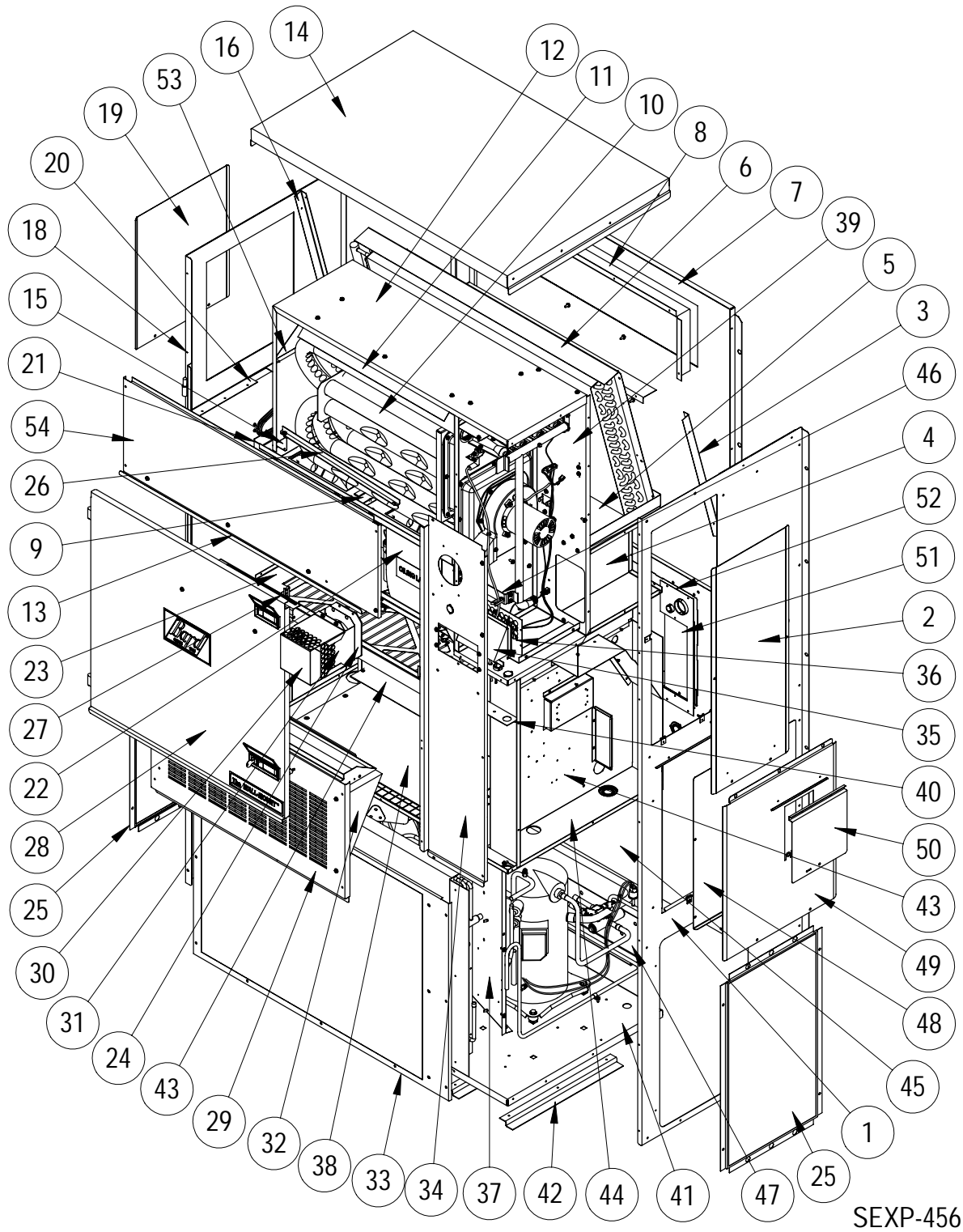


Bard Manufacturing Company, Inc.
Bryan, Ohio 43506

Since 1914...Moving ahead, just as planned.

Manual: 2110-808A
Supersedes: 2110-808
File: Vol. III Tab 20
Date: 03-08-11

CABINET COMPONENTS



This drawing to be used as reference for Pages 3, 4, 5, 6, 7 and 8.

CABINET COMPONENTS

| Drawing No. | Part No. | Description | W24G1-AXA | W24G1-AXB | W24G1-AXC | W24G1-BXA | W24G1-BXB | W24G1-BXC | W24G1-CXA | W24G1-CXB | W24G1-CXC |
|----------------------------|----------------|----------------------------------|-----------|-----------|-----------|-----------|-----------|-----------|-----------|-----------|-----------|
| 1 | 501-568-* | Right Side Assembly | X | X | X | X | X | X | X | X | X |
| 2 | S153-347-* | Vestibule Service Door | X | X | X | X | X | X | X | X | X |
| 3 | 105X1073 | Right Evaporator Support Angle | X | X | X | X | X | X | X | X | X |
| 4 | 541-285 | Right Drain Pan Support Assembly | X | X | X | X | X | X | X | X | X |
| 5 | S523-107 | Drain Pan Assembly | X | X | X | X | X | X | X | X | X |
| 6 | 105-1115 | Evaporator Coil Fill Angle | X | X | X | X | X | X | X | X | X |
| 7 | 509-166 | Upper Back | X | X | X | X | X | X | X | X | X |
| 8 | 111-091 | Supply Air Frame | 2 | 2 | 2 | 2 | 2 | 2 | 2 | 2 | 2 |
| 9 | 103-452 | Heat Exchanger Support Offset | X | X | X | X | X | X | X | X | X |
| 10 | Heat Exch Assy | See Burner Components Diagram | | | | | | | | | |
| 11 | 105-1113 | Top Heat Exchanger Deflector | X | X | X | X | X | X | X | X | X |
| 12 | 135-217 | Inner Air Baffle | X | X | X | X | X | X | X | X | X |
| 13 | 165-573-* | Top Rain Channel | X | X | X | X | X | X | X | X | X |
| 14 | 507-242-* | Top Assembly | X | X | X | X | X | X | X | X | X |
| 15 | 105-1112 | Door Stop Gusset | X | X | X | X | X | X | X | X | X |
| 16 | 105Y1073 | Left Evaporator Support Angle | X | X | X | X | X | X | X | X | X |
| 17 | 542-082 | Rear Block Off Plate Assembly | X | X | X | X | X | X | X | X | X |
| 18 | 501-569-* | Left Side Assembly | X | X | X | X | X | X | X | X | X |
| 19 | 543-070-* | Left Access Cover | X | X | X | X | X | X | X | X | X |
| 20 | 105-1108 | Left Support Angle | X | X | X | X | X | X | X | X | X |
| 21 | S121-353 | Blower Partition | X | X | X | X | X | X | X | X | X |
| 22 | S900-266 | Complete Blower Assembly - 230V | X | X | X | X | X | | | | |
| 22 | S900-275 | Complete Blower Assembly - 460V | | | | | | X | X | X | |
| 23 | 131-162 | Filter Tray | X | X | X | X | X | X | X | X | X |
| 24 | 1921-051 | Vent Terminal Gasket | X | X | X | X | X | X | X | X | X |
| 25 | 118-083-* | Side Grille | 2 | 2 | 2 | 2 | 2 | 2 | 2 | 2 | 2 |
| 26 | 105-1111 | Door Stop Angle | X | X | X | X | X | X | X | X | X |
| Continued on Page 4 | | | | | | | | | | | |

* Exterior cabinet parts are manufactured with various paint color options. To ensure that you receive the proper paint color, you must include the complete model and serial number of the unit for which cabinet parts are being ordered.

Refer to drawing on Page 2

CABINET COMPONENTS

| Drawing No. | Part No. | Description | W24G1-AXA | W24G1-AXB | W24G1-AXC | W24G1-BXA | W24G1-BXB | W24G1-BXC | W24G1-CXA | W24G1-CXB | W24G1-CXC |
|------------------------------|------------|---------------------------------|-----------|-----------|-----------|-----------|-----------|-----------|-----------|-----------|-----------|
| Continued from Page 3 | | | | | | | | | | | |
| 27 | 105-1069 | Door Stop Slide | X | X | X | X | X | X | X | X | X |
| 28 | S553-377-* | Front Door Assembly | X | X | X | X | X | X | X | X | X |
| 29 | 553-346-* | Vent Option Door Assembly | X | X | X | X | X | X | X | X | X |
| 30 | 169-119 | Outer Vent Hood | X | X | X | X | X | X | X | X | X |
| 31 | 169-120 | Inner Vent Hood | X | X | X | X | X | X | X | X | X |
| 32 | WGBFAD-3 | Barometric Fresh Air Damper | X | X | X | X | X | X | X | X | X |
| 33 | 118-059-* | Condenser Grille | X | X | X | X | X | X | X | X | X |
| 34 | 549-098-* | Right Front Corner Assembly | X | X | X | X | X | X | X | X | X |
| 35 | S135-181-* | Air Intake Hood | X | X | X | X | X | X | X | X | X |
| 36 | S134-182-* | Air Intake Back | X | X | X | X | X | X | X | X | X |
| 37 | 125-022 | Fan Shroud | X | X | X | X | X | X | X | X | X |
| 39 | 541-286 | Heat Exchanger Support Assembly | X | X | X | X | X | X | X | X | X |
| 40 | 142-080 | Filter Blank Off Plate | X | X | X | X | X | X | X | X | X |
| 41 | 127-404 | Lower Base | X | X | X | X | X | X | X | X | X |
| 42 | 103-449 | Lower Base Offset | 3 | 3 | 3 | 3 | 3 | 3 | 3 | 3 | 3 |
| 43 | 517-276 | Control Panel Assembly | X | X | X | X | X | X | X | X | X |
| 44 | 521-441 | Condenser Partition Assembly | X | X | X | X | X | X | X | X | X |
| 45 | 509-167 | Lower Back Assembly | X | X | X | X | X | X | X | X | X |
| 46 | 113-268 | Manifold Bracket | X | X | X | X | X | X | X | X | X |
| 47 | 113-140 | Bottom Support Bracket | X | X | X | X | X | X | X | X | X |
| 48 | S133-163 | Circuit Breaker Inner Door | X | X | X | X | X | X | X | X | X |
| 49 | S533-162-* | Control Panel Cover Assembly | X | X | X | X | X | X | X | X | X |
| 50 | S153-328-* | Disconnect Access Door | X | X | X | X | X | X | X | X | X |
| 51 | 134-199 | Conduit Access Panel | X | X | X | X | X | X | X | X | X |
| 52 | 156-030 | Conduit Entrance Plate | X | X | X | X | X | X | X | X | X |
| 53 | 135-200 | Inner Furnace Air Baffle | X | X | X | X | X | X | X | X | X |
| 54 | 553-376-* | Upper Door Assembly | X | X | X | X | X | X | X | X | X |

* Exterior cabinet parts are manufactured with various paint color options. To ensure that you receive the proper paint color, you must include the complete model and serial number of the unit for which cabinet parts are being ordered.

Refer to drawing on Page 2

CABINET COMPONENTS

| Drawing No. | Part No. | Description | W30G1-AXA | W30G1-AXB | W30G1-AXC | W30G1-BXA | W30G1-BXB | W30G1-BXC | W30G1-CXA | W30G1-CXB | W30G1-CXC |
|----------------------------|----------------|----------------------------------|-----------|-----------|-----------|-----------|-----------|-----------|-----------|-----------|-----------|
| 1 | 501-568-* | Right Side Assembly | X | X | X | X | X | X | X | X | X |
| 2 | S153-347-* | Vestibule Service Door | X | X | X | X | X | X | X | X | X |
| 3 | 105X1073 | Right Evaporator Support Angle | X | X | X | X | X | X | X | X | X |
| 4 | 541-285 | Right Drain Pan Support Assembly | X | X | X | X | X | X | X | X | X |
| 5 | S523-107 | Drain Pan Assembly | X | X | X | X | X | X | X | X | X |
| 6 | 105-1115 | Evaporator Coil Fill Angle | X | X | X | X | X | X | X | X | X |
| 7 | 509-166 | Upper Back | X | X | X | X | X | X | X | X | X |
| 8 | 111-091 | Supply Air Frame | 2 | 2 | 2 | 2 | 2 | 2 | 2 | 2 | 2 |
| 9 | 103-452 | Heat Exchanger Support Offset | X | X | X | X | X | X | X | X | X |
| 10 | Heat Exch Assy | See Burner Components Diagram | | | | | | | | | |
| 11 | 105-1113 | Top Heat Exchanger Deflector | X | X | X | X | X | X | X | X | X |
| 12 | 135-217 | Inner Air Baffle | X | X | X | X | X | X | X | X | X |
| 13 | 165-573-* | Top Rain Channel | X | X | X | X | X | X | X | X | X |
| 14 | 507-242-* | Top Assembly | X | X | X | X | X | X | X | X | X |
| 15 | 105-1112 | Door Stop Gusset | X | X | X | X | X | X | X | X | X |
| 16 | 105Y1073 | Left Evaporator Support Angle | X | X | X | X | X | X | X | X | X |
| 17 | 542-082 | Rear Block Off Plate Assembly | X | X | X | X | X | X | X | X | X |
| 18 | 501-569-* | Left Side Assembly | X | X | X | X | X | X | X | X | X |
| 19 | 543-070-* | Left Access Cover | X | X | X | X | X | X | X | X | X |
| 20 | 105-1108 | Left Support Angle | X | X | X | X | X | X | X | X | X |
| 21 | S121-353 | Blower Partition | X | X | X | X | X | X | X | X | X |
| 22 | S900-267 | Complete Blower Assembly - 230V | X | X | X | X | X | | | | |
| 22 | S900-276 | Complete Blower Assembly - 460V | | | | | | X | X | X | |
| 23 | 131-162 | Filter Tray | X | X | X | X | X | X | X | X | X |
| 24 | 1921-051 | Vent Terminal Gasket | X | X | X | X | X | X | X | X | X |
| 25 | 118-083-* | Side Grille | 2 | 2 | 2 | 2 | 2 | 2 | 2 | 2 | 2 |
| 26 | 105-1111 | Door Stop Angle | X | X | X | X | X | X | X | X | X |
| Continued on Page 6 | | | | | | | | | | | |

* Exterior cabinet parts are manufactured with various paint color options. To ensure that you receive the proper paint color, you must include the complete model and serial number of the unit for which cabinet parts are being ordered.

Refer to drawing on Page 2

CABINET COMPONENTS

| Drawing No. | Part No. | Description | W30G1-AXA | W30G1-AXB | W30G1-AXC | W30G1-BXA | W30G1-BXB | W30G1-BXC | W30G1-CXA | W30G1-CXB | W30G1-CXC |
|------------------------------|------------|---------------------------------|-----------|-----------|-----------|-----------|-----------|-----------|-----------|-----------|-----------|
| Continued from Page 5 | | | | | | | | | | | |
| 27 | 105-1069 | Door Stop Slide | X | X | X | X | X | X | X | X | X |
| 28 | S553-377-* | Front Door Assembly | X | X | X | X | X | X | X | X | X |
| 29 | 553-346-* | Vent Option Door Assembly | X | X | X | X | X | X | X | X | X |
| 30 | 169-119 | Outer Vent Hood | X | X | X | X | X | X | X | X | X |
| 31 | 169-120 | Inner Vent Hood | X | X | X | X | X | X | X | X | X |
| 32 | WGBFAD-3 | Barometric Fresh Air Damper | X | X | X | X | X | X | X | X | X |
| 33 | 118-059-* | Condenser Grille | X | X | X | X | X | X | X | X | X |
| 34 | 549-098-* | Right Front Corner Assembly | X | X | X | X | X | X | X | X | X |
| 35 | S135-181-* | Air Intake Hood | X | X | X | X | X | X | X | X | X |
| 36 | S134-182-* | Air Intake Back | X | X | X | X | X | X | X | X | X |
| 37 | 125-022 | Fan Shroud | X | X | X | X | X | X | X | X | X |
| 38 | 542-081 | Front Block Off Plate Assembly | X | X | X | X | X | X | X | X | X |
| 39 | 541-286 | Heat Exchanger Support Assembly | X | X | X | X | X | X | X | X | X |
| 40 | 142-080 | Filter Blank Off Plate | X | X | X | X | X | X | X | X | X |
| 41 | 127-404 | Lower Base | X | X | X | X | X | X | X | X | X |
| 42 | 103-449 | Lower Base Offset | 3 | 3 | 3 | 3 | 3 | 3 | 3 | 3 | 3 |
| 43 | 517-276 | Control Panel Assembly | X | X | X | X | X | X | X | X | X |
| 44 | 521-441 | Condenser Partition Assembly | X | X | X | X | X | X | X | X | X |
| 45 | 509-167 | Lower Back Assembly | X | X | X | X | X | X | X | X | X |
| 46 | 113-268 | Manifold Bracket | X | X | X | X | X | X | X | X | X |
| 47 | 113-140 | Bottom Support Bracket | X | X | X | X | X | X | X | X | X |
| 48 | S133-163 | Circuit Breaker Inner Door | X | X | X | X | X | X | X | X | X |
| 49 | S533-162-* | Control Panel Cover Assembly | X | X | X | X | X | X | X | X | X |
| 50 | S153-328-* | Disconnect Access Door | X | X | X | X | X | X | X | X | X |
| 51 | 134-199 | Conduit Access Panel | X | X | X | X | X | X | X | X | X |
| 52 | 156-030 | Conduit Entrance Plate | X | X | X | X | X | X | X | X | X |
| 53 | 135-200 | Inner Furnace Air Baffle | X | X | X | X | X | X | X | X | X |
| 54 | 553-376-* | Upper Door Assembly | X | X | X | X | X | X | X | X | X |

* Exterior cabinet parts are manufactured with various paint color options. To ensure that you receive the proper paint color, you must include the complete model and serial number of the unit for which cabinet parts are being ordered.

Refer to drawing on Page 2

CABINET COMPONENTS

| Drawing No. | Part No. | Description | W36G1-AXA | W36G1-AXB | W36G1-AXC | W36G1-BXA | W36G1-BXB | W36G1-BXC | W36G1-CXA | W36G1-CXB | W36G1-CXC |
|----------------------------|----------------|----------------------------------|-----------|-----------|-----------|-----------|-----------|-----------|-----------|-----------|-----------|
| 1 | 501-568-* | Right Side Assembly | X | X | X | X | X | X | X | X | X |
| 2 | S153-347-* | Vestibule Service Door | X | X | X | X | X | X | X | X | X |
| 3 | 105X1073 | Right Evaporator Support Angle | X | X | X | X | X | X | X | X | X |
| 4 | 541-285 | Right Drain Pan Support Assembly | X | X | X | X | X | X | X | X | X |
| 5 | S523-107 | Drain Pan Assembly | X | X | X | X | X | X | X | X | X |
| 6 | 105-1115 | Evaporator Coil Fill Angle | X | X | X | X | X | X | X | X | X |
| 7 | 509-166 | Upper Back | X | X | X | X | X | X | X | X | X |
| 8 | 111-091 | Supply Air Frame | 2 | 2 | 2 | 2 | 2 | 2 | 2 | 2 | 2 |
| 9 | 103-452 | Heat Exchanger Support Offset | X | X | X | X | X | X | X | X | X |
| 10 | Heat Exch Assy | See Burner Components Diagram | | | | | | | | | |
| 11 | 105-1113 | Top Heat Exchanger Deflector | X | X | X | X | X | X | X | X | X |
| 12 | 135-217 | Inner Air Baffle | X | X | X | X | X | X | X | X | X |
| 13 | 165-573-* | Top Rain Channel | X | X | X | X | X | X | X | X | X |
| 14 | 507-242-* | Top Assembly | X | X | X | X | X | X | X | X | X |
| 15 | 105-1112 | Door Stop Gusset | X | X | X | X | X | X | X | X | X |
| 16 | 105Y1073 | Left Evaporator Support Angle | X | X | X | X | X | X | X | X | X |
| 17 | 542-082 | Rear Block Off Plate Assembly | X | X | X | X | X | X | X | X | X |
| 18 | 501-569-* | Left Side Assembly | X | X | X | X | X | X | X | X | X |
| 19 | 543-070-* | Left Access Cover | X | X | X | X | X | X | X | X | X |
| 20 | 105-1108 | Left Support Angle | X | X | X | X | X | X | X | X | X |
| 21 | S121-353 | Blower Partition | X | X | X | X | X | X | X | X | X |
| 22 | S900-267 | Complete Blower Assembly - 230V | X | X | X | X | X | | | | |
| 22 | S900-276 | Complete Blower Assembly - 460V | | | | | | X | X | X | |
| 23 | 131-162 | Filter Tray | X | X | X | X | X | X | X | X | X |
| 24 | 1921-051 | Vent Terminal Gasket | X | X | X | X | X | X | X | X | X |
| 25 | 118-083-* | Side Grille | 2 | 2 | 2 | 2 | 2 | 2 | 2 | 2 | 2 |
| 26 | 105-1111 | Door Stop Angle | X | X | X | X | X | X | X | X | X |
| Continued on Page 8 | | | | | | | | | | | |

* Exterior cabinet parts are manufactured with various paint color options. To ensure that you receive the proper paint color, you must include the complete model and serial number of the unit for which cabinet parts are being ordered.

Refer to drawing on Page 2

CABINET COMPONENTS

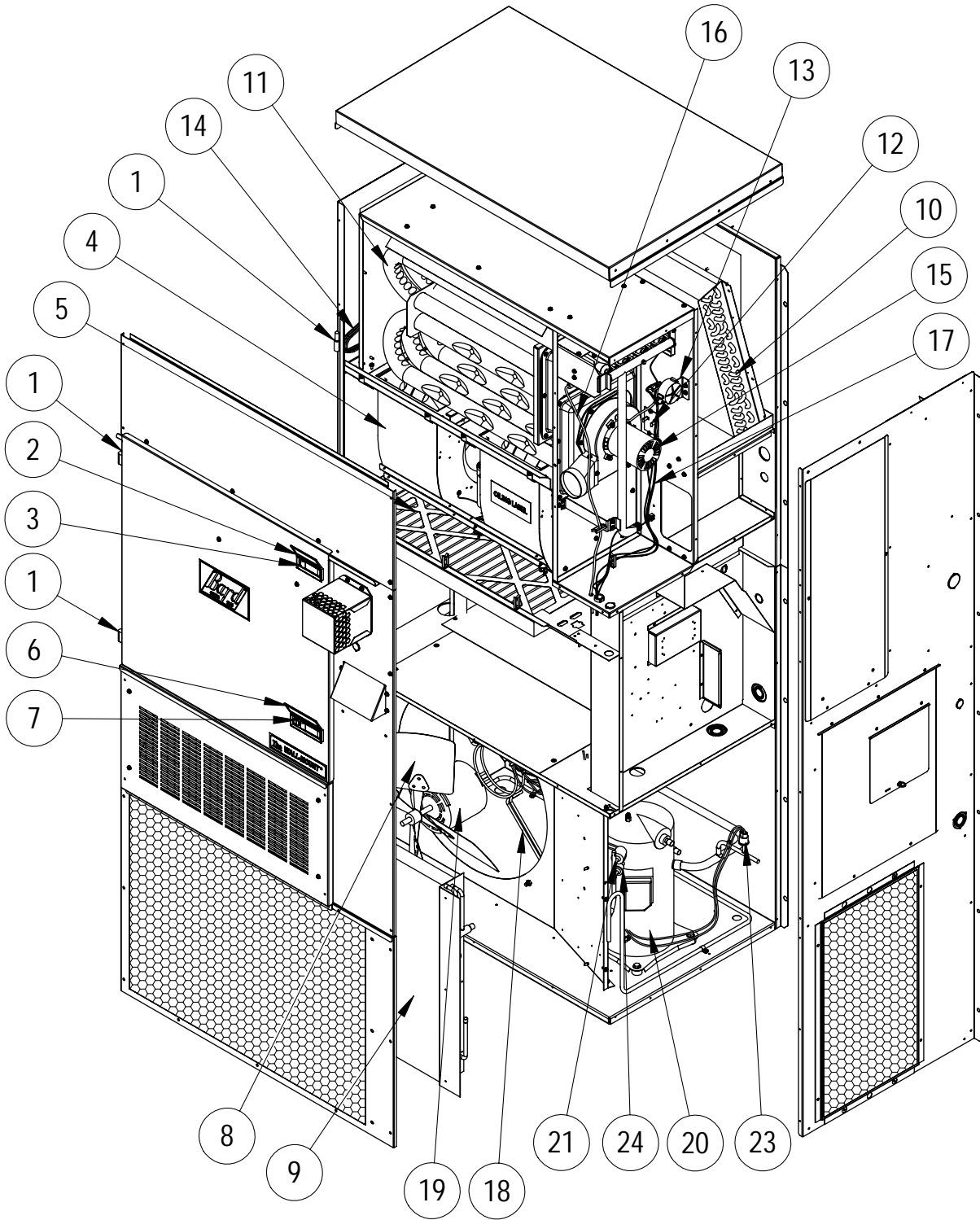
| Drawing No. | Part No. | Description | W36G1-AXA | W36G1-AXB | W36G1-AXC | W36G1-BXA | W36G1-BXB | W36G1-BXC | W36G1-CXA | W36G1-CXB | W36G1-CXC |
|------------------------------|------------|---------------------------------|-----------|-----------|-----------|-----------|-----------|-----------|-----------|-----------|-----------|
| Continued from Page 7 | | | | | | | | | | | |
| 27 | 105-1069 | Door Stop Slide | X | X | X | X | X | X | X | X | X |
| 28 | S553-377-* | Front Door Assembly | X | X | X | X | X | X | X | X | X |
| 29 | 553-346-* | Vent Option Door Assembly | X | X | X | X | X | X | X | X | X |
| 30 | 169-119 | Outer Vent Hood | X | X | X | X | X | X | X | X | X |
| 31 | 169-120 | Inner Vent Hood | X | X | X | X | X | X | X | X | X |
| 32 | WGBFAD-3 | Barometric Fresh Air Damper | X | X | X | X | X | X | X | X | X |
| 33 | 118-059-* | Condenser Grille | X | X | X | X | X | X | X | X | X |
| 34 | 549-098-* | Right Front Corner Assembly | X | X | X | X | X | X | X | X | X |
| 35 | S135-181-* | Air Intake Hood | X | X | X | X | X | X | X | X | X |
| 36 | S134-182-* | Air Intake Back | X | X | X | X | X | X | X | X | X |
| 37 | 125-022 | Fan Shroud | X | X | X | X | X | X | X | X | X |
| 38 | 542-081 | Front Block Off Plate Assembly | X | X | X | X | X | X | X | X | X |
| 39 | 541-286 | Heat Exchanger Support Assembly | X | X | X | X | X | X | X | X | X |
| 40 | 142-080 | Filter Blank Off Plate | X | X | X | X | X | X | X | X | X |
| 41 | 127-404 | Lower Base | X | X | X | X | X | X | X | X | X |
| 42 | 103-449 | Lower Base Offset | 3 | 3 | 3 | 3 | 3 | 3 | 3 | 3 | 3 |
| 43 | 517-276 | Control Panel Assembly | X | X | X | X | X | X | X | X | X |
| 44 | 521-441 | Condenser Partition Assembly | X | X | X | X | X | X | X | X | X |
| 45 | 509-167 | Lower Back Assembly | X | X | X | X | X | X | X | X | X |
| 46 | 113-268 | Manifold Bracket | X | X | X | X | X | X | X | X | X |
| 47 | 113-140 | Bottom Support Bracket | X | X | X | X | X | X | X | X | X |
| 48 | S133-163 | Circuit Breaker Inner Door | X | X | X | X | X | X | X | X | X |
| 49 | S533-162-* | Control Panel Cover Assembly | X | X | X | X | X | X | X | X | X |
| 50 | S153-328-* | Disconnect Access Door | X | X | X | X | X | X | X | X | X |
| 51 | 134-199 | Conduit Access Panel | X | X | X | X | X | X | X | X | X |
| 52 | 156-030 | Conduit Entrance Plate | X | X | X | X | X | X | X | X | X |
| 53 | 135-200 | Inner Furnace Air Baffle | X | X | X | X | X | X | X | X | X |
| 54 | 553-376-* | Upper Door Assembly | X | X | X | X | X | X | X | X | X |

* Exterior cabinet parts are manufactured with various paint color options. To ensure that you receive the proper paint color, you must include the complete model and serial number of the unit for which cabinet parts are being ordered.

Refer to drawing on Page 2

This page intentionally left blank

FUNCTIONAL COMPONENTS



SEXP-457

This drawing to be used for reference for Pages 11, 12 and 13.

FUNCTIONAL COMPONENTS

| Drawing No. | Part No. | Description | W24G1-AXA | W24G1-AXB | W24G1-AXC | W24G1-BXA | W24G1-BXB | W24G1-BXC | W24G1-CXA | W24G1-CXB | W24G1-CXC |
|-------------|------------|----------------------------------------|-----------|-----------|-----------|-----------|-----------|-----------|-----------|-----------|-----------|
| 1 | 5400-005 | Metal Lift-Off Hinge | 2 | 2 | 2 | 2 | 2 | 2 | 2 | 2 | 2 |
| 2 | 1171-050 | Weather Cover for Latch 1171-048 | X | X | X | X | X | X | X | X | X |
| 3 | 1171-048 | Black Non-Lockable Latch | X | X | X | X | X | X | X | X | X |
| 4 | S900-266 | Complete Blower Assembly 230/208 | X | X | X | X | X | X | | | |
| 4 | S900-275 | Complete Blower Assembly 460V | | | | | | | X | X | X |
| 5 | 7004-040 | 20 x 25 x 2 Pleated Filter (Standard) | X | X | X | X | X | X | X | X | X |
| 5 | 7003-042 | 20 x 25 x 1 AF Filter (Optional) | X | X | X | X | X | X | X | X | X |
| 6 | 1171-051 | Weather Cover for Latch 1171-049 | X | X | X | X | X | X | X | X | X |
| 7 | 1171-049 | Black Lockable Latch | X | X | X | X | X | X | X | X | X |
| 8 | 5151-045 | Fan Blade | X | X | X | X | X | X | X | X | X |
| 9 | 5051-066BX | Coil | X | X | X | X | X | X | X | X | X |
| 10 | 5060-148BX | Coil | X | X | X | X | X | X | X | X | X |
| 11 | Heat Exch. | See Burner Components Diagram | X | X | X | X | X | X | X | X | X |
| 12 | 8402-133 | Limit Control L140-30 3" | X | | | X | | | X | | |
| 12 | 8402-135 | Limit Control L150-30 3" | | X | X | | X | X | | X | X |
| 13 | 8406-103 | .55" ± .05" Pressure Switch | X | X | X | X | X | X | X | X | X |
| 14 | S800-0329 | Distributor/Orifice | X | X | X | X | X | X | X | X | X |
| 15 | 8109-014 | Induced Draft Blower 230V w/Transition | X | X | X | X | X | X | | | |
| 15 | 8109-015 | Induced Draft Blower 460V w/Transition | | | | | | | X | X | X |
| 16 | 8600-011 | Suppression Ignition Cable | X | X | X | X | X | X | X | X | X |
| 17 | 3000-1121 | Wire Assembly | X | X | X | X | X | X | | | |
| 17 | 3000-1124 | Wire Assembly | | | | | | | X | X | X |
| 18 | 8200-001 | Fan Motor Mount | X | X | X | X | X | X | X | X | X |
| 19 | 8103-013 | Motor 230/208V | X | X | X | X | X | X | | | |
| 19 | 8103-020 | Motor 460V | | | | | | | X | X | X |
| 20 | 8000-314 | Compressor ZP24K5E-PFV-130 | X | X | X | | | | | | |
| 20 | 8000-315 | Compressor ZP24K5E-TF5-130 | | | | X | X | X | | | |
| 20 | 8000-316 | Compressor ZP24K5E-TFD-130 | | | | | | | X | X | X |
| 21 | 1804-0385 | High Pressure Switch (Flare) | X | X | X | X | X | X | X | X | X |
| 23 | 1804-0386 | Low Pressure Switch (Flare) | X | X | X | X | X | X | X | X | X |
| 24 | CMA-28 | Low Ambient Control - Opt. - (Flare) | X | X | X | X | X | X | X | X | X |
| NS | S400-0203 | Orifice Parts Bag 2 Tube 45K | X | | | X | | | X | | |
| NS | S400-0204 | Orifice Parts Bag 3 Tube 67.5K | | X | | | X | | | X | |
| NS | S400-0205 | Orifice Parts Bag 4 Tube 90K | | | X | | | X | | | X |

NS - Not Shown
Opt. = Optional

Refer to drawing on Page 10

FUNCTIONAL COMPONENTS

| Drawing No. | Part No. | Description | W30G1-AXA | W30G1-AXB | W30G1-AXC | W30G1-BXA | W30G1-BXB | W30G1-BXC | W30G1-CXA | W30G1-CXB | W30G1-CXC |
|-------------|------------|----------------------------------------|-----------|-----------|-----------|-----------|-----------|-----------|-----------|-----------|-----------|
| 1 | 5400-005 | Metal Lift-Off Hinge | 2 | 2 | 2 | 2 | 2 | 2 | 2 | 2 | 2 |
| 2 | 1171-050 | Weather Cover for Latch 1171-048 | X | X | X | X | X | X | X | X | X |
| 3 | 1171-048 | Black Non-Lockable Latch | X | X | X | X | X | X | X | X | X |
| 4 | S900-267 | Complete Blower Assembly 230/208 | X | X | X | X | X | X | | | |
| 4 | S900-276 | Complete Blower Assembly 460V | | | | | | | X | X | X |
| 5 | 7004-040 | 20 x 25 x 2 Pleated Filter (Standard) | X | X | X | X | X | X | X | X | X |
| 5 | 7003-042 | 20 x 25 x 1 AF Filter (Optional) | X | X | X | X | X | X | X | X | X |
| 6 | 1171-051 | Weather Cover for Latch 1171-049 | X | X | X | X | X | X | X | X | X |
| 7 | 1171-049 | Black Lockable Latch | X | X | X | X | X | X | X | X | X |
| 8 | 5151-045 | Fan Blade | X | X | X | X | X | X | X | X | X |
| 9 | 5051-066BX | Coil | X | X | X | X | X | X | X | X | X |
| 10 | 5060-149BX | Coil | X | X | X | X | X | X | X | X | X |
| 11 | Heat Exch. | See Burner Components Diagram | X | X | X | X | X | X | X | X | X |
| 12 | 8402-133 | Limit Control L140-30 3" | X | | | X | | | X | | |
| 12 | 8402-135 | Limit Control L150-30 3" | | X | X | | X | X | | X | X |
| 13 | 8406-103 | .55" ± .05" Pressure Switch | X | X | X | X | X | X | X | X | X |
| 14 | S800-0330 | Distributor/Orifice | X | X | X | X | X | X | X | X | X |
| 15 | 8109-014 | Induced Draft Blower 230V w/Transition | X | X | X | X | X | X | | | |
| 15 | 8109-015 | Induced Draft Blower 460V w/Transition | | | | | | | X | X | X |
| 16 | 8600-011 | Suppression Ignition Cable | X | X | X | X | X | X | X | X | X |
| 17 | 3000-1121 | Wire Assembly | X | X | X | X | X | X | | | |
| 17 | 3000-1124 | Wire Assembly | | | | | | | X | X | X |
| 18 | 8200-001 | Fan Motor Mount | X | X | X | X | X | X | X | X | X |
| 19 | 8103-013 | Motor 230/208V | X | X | X | X | X | X | | | |
| 19 | 8103-020 | Motor 460V | | | | | | | X | X | X |
| 20 | 8000-298 | Compressor ZP29K5E-PFV-130 | X | X | X | | | | | | |
| 20 | 8000-299 | Compressor ZP29K5E-TF5-130 | | | | X | X | X | | | |
| 20 | 8000-300 | Compressor ZP29K5E-TFD-130 | | | | | | | X | X | X |
| 21 | 1804-0385 | High Pressure Switch (Flare) | X | X | X | X | X | X | X | X | X |
| 23 | 1804-0386 | Low Pressure Switch (Flare) | X | X | X | X | X | X | X | X | X |
| 24 | CMA-28 | Low Ambient Control - Opt. - (Flare) | X | X | X | X | X | X | X | X | X |
| NS | S400-0203 | Orifice Parts Bag 2 Tube 45K | X | | | X | | | X | | |
| NS | S400-0204 | Orifice Parts Bag 3 Tube 67.5K | | X | | | X | | | X | |
| NS | S400-0205 | Orifice Parts Bag 4 Tube 90K | | | X | | | X | | | X |

NS - Not Shown
Opt. = Optional

Refer to drawing on Page 10

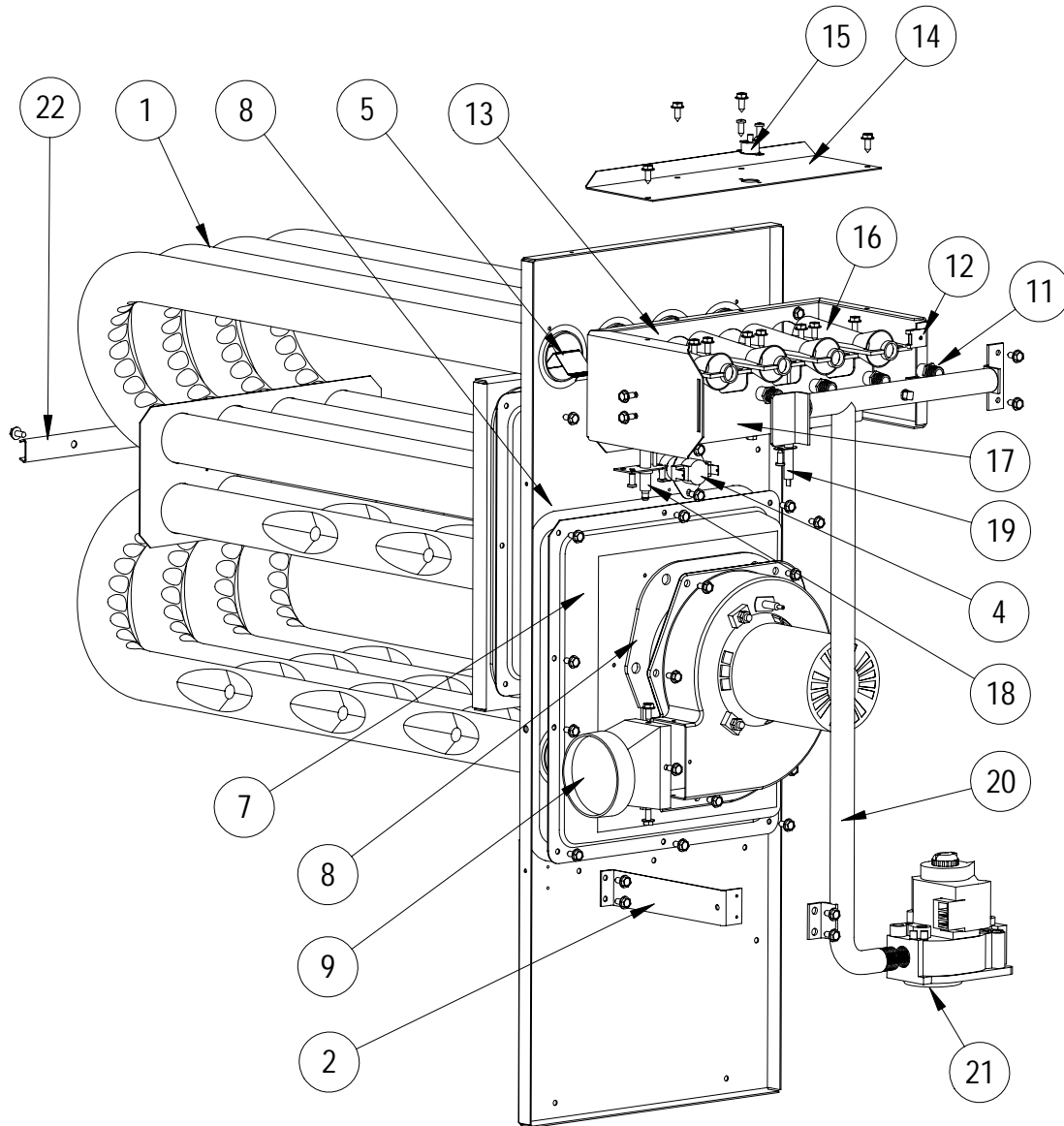
FUNCTIONAL COMPONENTS

| Drawing No. | Part No. | Description | W36G1-AXA | W36G1-AXB | W36G1-AXC | W36G1-BXA | W36G1-BXB | W36G1-BXC | W36G1-CXA | W36G1-CXB | W36G1-CXC |
|-------------|------------|----------------------------------------|-----------|-----------|-----------|-----------|-----------|-----------|-----------|-----------|-----------|
| 1 | 5400-005 | Metal Lift-Off Hinge | 2 | 2 | 2 | 2 | 2 | 2 | 2 | 2 | 2 |
| 2 | 1171-050 | Weather Cover for Latch 1171-048 | X | X | X | X | X | X | X | X | X |
| 3 | 1171-048 | Black Non-Lockable Latch | X | X | X | X | X | X | X | X | X |
| 4 | S900-267 | Complete Blower Assembly 230/208 | X | X | X | X | X | X | | | |
| 4 | S900-276 | Complete Blower Assembly 460V | | | | | | | X | X | X |
| 5 | 7004-040 | 20 x 25 x 2 Pleated Filter (Standard) | X | X | X | X | X | X | X | X | X |
| 5 | 7003-042 | 20 x 25 x 1 AF Filter (Optional) | X | X | X | X | X | X | X | X | X |
| 6 | 1171-051 | Weather Cover for Latch 1171-049 | X | X | X | X | X | X | X | X | X |
| 7 | 1171-049 | Black Lockable Latch | X | X | X | X | X | X | X | X | X |
| 8 | 5151-045 | Fan Blade | X | X | X | X | X | X | X | X | X |
| 9 | 5051-066BX | Coil | X | X | X | X | X | X | X | X | X |
| 10 | 5060-149BX | Coil | X | X | X | X | X | X | X | X | X |
| 11 | Heat Exch. | See Burner Components Diagram | X | X | X | X | X | X | X | X | X |
| 12 | 8402-133 | Limit Control L140-30 3" | X | | | X | | | X | | |
| 12 | 8402-135 | Limit Control L150-30 3" | | X | X | | X | X | | X | X |
| 13 | 8406-103 | .55" ± .05" Pressure Switch | X | X | X | X | X | X | X | X | X |
| 14 | S800-0331 | Distributor/Orifice | X | X | X | X | X | X | X | X | X |
| 15 | 8109-014 | Induced Draft Blower 230V w/Transition | X | X | X | X | X | X | | | |
| 15 | 8109-015 | Induced Draft Blower 460V w/Transition | | | | | | | X | X | X |
| 16 | 8600-011 | Suppression Ignition Cable | X | X | X | X | X | X | X | X | X |
| 17 | 3000-1121 | Wire Assembly | X | X | X | X | X | X | | | |
| 17 | 3000-1124 | Wire Assembly | | | | | | | X | X | X |
| 18 | 8200-001 | Fan Motor Mount | X | X | X | X | X | X | X | X | X |
| 19 | 8103-013 | Motor 230/208V | X | X | X | X | X | X | | | |
| 19 | 8103-020 | Motor 460V | | | | | | | X | X | X |
| 20 | 8000-309 | Compressor ZP34K5E-PFV-130 | X | X | X | | | | | | |
| 20 | 8000-310 | Compressor ZP34K5E-TF5-130 | | | | X | X | X | | | |
| 20 | 8000-311 | Compressor ZP34K5E-TFD-130 | | | | | | | X | X | X |
| 21 | 1804-0385 | High Pressure Switch (Flare) | X | X | X | X | X | X | X | X | X |
| 23 | 1804-0386 | Low Pressure Switch (Flare) | X | X | X | X | X | X | X | X | X |
| 24 | CMA-28 | Low Ambient Control - Opt. - (Flare) | X | X | X | X | X | X | X | X | X |
| NS | S400-0203 | Orifice Parts Bag 2 Tube 45K | X | | | X | | | X | | |
| NS | S400-0204 | Orifice Parts Bag 3 Tube 67.5K | | X | | | X | | | X | |
| NS | S400-0205 | Orifice Parts Bag 4 Tube 90K | | | X | | | X | | | X |

NS - Not Shown
Opt. = Optional

Refer to drawing on Page 10

BURNER COMPONENTS



SEXP-387

This drawing to be used for reference for Pages 15, 16 and 17.

BURNER COMPONENTS

| Drawing No. | Part No. | Description | W24G1-*XA | W24G1-*NA | W24G1-*XB | W24G1-*NB | W24G1-*XC | W24G1-*NC |
|-------------|----------|------------------------------------|-----------|-----------|-----------|-----------|-----------|-----------|
| 1 | S171-254 | Heat Exchanger Assembly (2 Burner) | X | X | | | | |
| 1 | S171-256 | Heat Exchanger Assembly (3 Burner) | | | X | X | | |
| 1 | S171-258 | Heat Exchanger Assembly (4 Burner) | | | | | X | X |
| 2 | 113-268 | Manifold Bracket | X | X | X | X | X | X |
| 4 | 8402-134 | Limit Control L265-30 | X | X | | | | |
| 4 | 8402-116 | Limit Control L300-30 | | | X | X | X | X |
| 5 | 9010-083 | NOx Screen | | 2 | | 3 | | 4 |
| 7 | 168-142 | Collector Box | X | X | | | | |
| 7 | 168-143 | Collector Box | | | X | X | | |
| 7 | 168-144 | Collector Box | | | | | X | X |
| 8 | 1921-043 | Gasket Set | X | X | X | X | X | X |
| 9 | 5809-013 | 3" Cast Inducer Transition | X | X | X | X | X | X |
| 11 | 9010-082 | Orifice 2.30mm (.0885 diameter) | 2 | 2 | 3 | 3 | 4 | 4 |
| 11 | 9010-087 | Orifice 2.20mm (10% derate) | 2 | 2 | 3 | 3 | 4 | 4 |
| 12 | 1012-314 | U Clip Fastener | 2 | 2 | 2 | 2 | 2 | 2 |
| 13 | 163-047 | Burner Box | X | X | | | | |
| 13 | 163-042 | Burner Box | | | X | X | | |
| 13 | 163-044 | Burner Box | | | | | X | X |
| 14 | 141-268 | Flame Rollout Support | X | X | X | X | | |
| 14 | 141-269 | Flame Rollout Support | | | | | X | X |
| 15 | 8402-124 | Flame Rollout Switch L270 | X | X | X | X | X | X |
| 16 | 9010-078 | In-Shot Burner 2.5 x 4.5 | 2 | 2 | 3 | 3 | 4 | 4 |
| 17 | 163-048 | Burner Support | X | X | | | | |
| 17 | 163-041 | Burner Support | | | X | X | | |
| 17 | 163-043 | Burner Support | | | | | X | X |
| 18 | 8554-024 | DSI Spark Igniter | X | X | X | X | X | X |
| 19 | 8554-025 | Flame Sensor | X | X | X | X | X | X |
| 20 | 5818-053 | 2-Hole Gas Manifold - 1/2" | X | X | | | | |
| 20 | 5818-054 | 3-Hole Gas Manifold - 1/2" | | | X | X | | |
| 20 | 5818-055 | 4-Hole Gas Manifold - 1/2" | | | | | X | X |
| 21 | 5651-160 | Natural Gas Valve 1/2 x 1/2 | X | X | X | X | X | X |
| 22 | 168-140 | Tube Brace 2 Burner | X | X | | | | |
| 22 | 168-135 | Tube Brace 3 Burner | | | X | X | | |
| 22 | 168-134 | Tube Brace 4 Burner | | | | | X | X |

Refer to drawing on Page 14

BURNER COMPONENTS

| Drawing No. | Part No. | Description | W30G1-*XA | W30G1-*NA | W30G1-*XB | W30G1-*NB | W30G1-*XC | W30G1-*NC |
|-------------|----------|------------------------------------|-----------|-----------|-----------|-----------|-----------|-----------|
| 1 | S171-254 | Heat Exchanger Assembly (2 Burner) | X | X | | | | |
| 1 | S171-256 | Heat Exchanger Assembly (3 Burner) | | | X | X | | |
| 1 | S171-258 | Heat Exchanger Assembly (4 Burner) | | | | | X | X |
| 2 | 113-268 | Manifold Bracket | X | X | X | X | X | X |
| 4 | 8402-134 | Limit Control L265-30 | X | X | | | | |
| 4 | 8402-116 | Limit Control L300-30 | | | X | X | X | X |
| 5 | 9010-083 | NOx Screen | | 2 | | 3 | | 4 |
| 7 | 168-142 | Collector Box | X | X | | | | |
| 7 | 168-143 | Collector Box | | | X | X | | |
| 7 | 168-144 | Collector Box | | | | | X | X |
| 8 | 1921-043 | Gasket Set | X | X | X | X | X | X |
| 9 | 5809-013 | 3" Cast Inducer Transition | X | X | X | X | X | X |
| 11 | 9010-082 | Orifice 2.30mm (.0885 diameter) | 2 | 2 | 3 | 3 | 4 | 4 |
| 11 | 9010-087 | Orifice 2.20mm (10% derate) | 2 | 2 | 3 | 3 | 4 | 4 |
| 12 | 1012-314 | U Clip Fastener | 2 | 2 | 2 | 2 | 2 | 2 |
| 13 | 163-047 | Burner Box | X | X | | | | |
| 13 | 163-042 | Burner Box | | | X | X | | |
| 13 | 163-044 | Burner Box | | | | | X | X |
| 14 | 141-268 | Flame Rollout Support | X | X | X | X | | |
| 14 | 141-269 | Flame Rollout Support | | | | | X | X |
| 15 | 8402-124 | Flame Rollout Switch L270 | X | X | X | X | X | X |
| 16 | 9010-078 | In-Shot Burner 2.5 x 4.5 | 2 | 2 | 3 | 3 | 4 | 4 |
| 17 | 163-048 | Burner Support | X | X | | | | |
| 17 | 163-041 | Burner Support | | | X | X | | |
| 17 | 163-043 | Burner Support | | | | | X | X |
| 18 | 8554-024 | DSI Spark Igniter | X | X | X | X | X | X |
| 19 | 8554-025 | Flame Sensor | X | X | X | X | X | X |
| 20 | 5818-053 | 2-Hole Gas Manifold - 1/2" | X | X | | | | |
| 20 | 5818-054 | 3-Hole Gas Manifold - 1/2" | | | X | X | | |
| 20 | 5818-055 | 4-Hole Gas Manifold - 1/2" | | | | | X | X |
| 21 | 5651-160 | Natural Gas Valve 1/2 x 1/2 | X | X | X | X | X | X |
| 22 | 168-140 | Tube Brace 2 Burner | X | X | | | | |
| 22 | 168-135 | Tube Brace 3 Burner | | | X | X | | |
| 22 | 168-134 | Tube Brace 4 Burner | | | | | X | X |

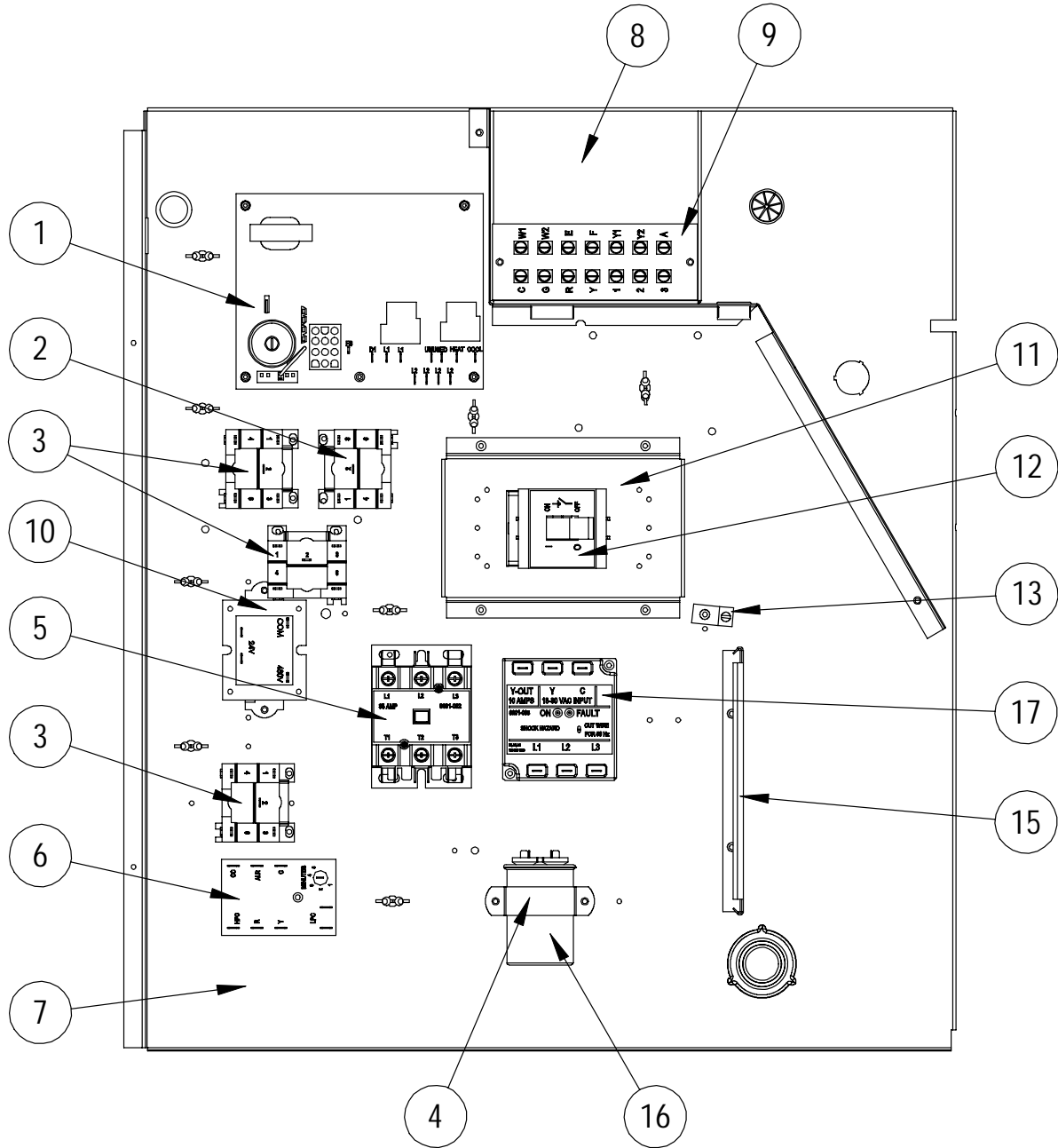
Refer to drawing on Page 14

BURNER COMPONENTS

| Drawing No. | Part No. | Description | W36G1-*XA | W36G1-*NA | W36G1-*XB | W36G1-*NB | W36G1-*XC | W36G1-*NC |
|-------------|----------|------------------------------------|-----------|-----------|-----------|-----------|-----------|-----------|
| 1 | S171-254 | Heat Exchanger Assembly (2 Burner) | X | X | | | | |
| 1 | S171-256 | Heat Exchanger Assembly (3 Burner) | | | X | X | | |
| 1 | S171-258 | Heat Exchanger Assembly (4 Burner) | | | | | X | X |
| 2 | 113-268 | Manifold Bracket | X | X | X | X | X | X |
| 4 | 8402-134 | Limit Control L265-30 | X | X | | | | |
| 4 | 8402-116 | Limit Control L300-30 | | | X | X | X | X |
| 5 | 9010-083 | NOx Screen | | 2 | | 3 | | 4 |
| 7 | 168-142 | Collector Box | X | X | | | | |
| 7 | 168-143 | Collector Box | | | X | X | | |
| 7 | 168-144 | Collector Box | | | | | X | X |
| 8 | 1921-043 | Gasket Set | X | X | X | X | X | X |
| 9 | 5809-013 | 3" Cast Inducer Transition | X | X | X | X | X | X |
| 11 | 9010-082 | Orifice 2.30mm (.0885 diameter) | 2 | 2 | 3 | 3 | 4 | 4 |
| 11 | 9010-087 | Orifice 2.20mm (10% derate) | 2 | 2 | 3 | 3 | 4 | 4 |
| 12 | 1012-314 | U Clip Fastener | 2 | 2 | 2 | 2 | 2 | 2 |
| 13 | 163-047 | Burner Box | X | X | | | | |
| 13 | 163-042 | Burner Box | | | X | X | | |
| 13 | 163-044 | Burner Box | | | | | X | X |
| 14 | 141-268 | Flame Rollout Support | X | X | X | X | | |
| 14 | 141-269 | Flame Rollout Support | | | | | X | X |
| 15 | 8402-124 | Flame Rollout Switch L270 | X | X | X | X | X | X |
| 16 | 9010-078 | In-Shot Burner 2.5 x 4.5 | 2 | 2 | 3 | 3 | 4 | 4 |
| 17 | 163-048 | Burner Support | X | X | | | | |
| 17 | 163-041 | Burner Support | | | X | X | | |
| 17 | 163-043 | Burner Support | | | | | X | X |
| 18 | 8554-024 | DSI Spark Igniter | X | X | X | X | X | X |
| 19 | 8554-025 | Flame Sensor | X | X | X | X | X | X |
| 20 | 5818-053 | 2-Hole Gas Manifold - 1/2" | X | X | | | | |
| 20 | 5818-054 | 3-Hole Gas Manifold - 1/2" | | | X | X | | |
| 20 | 5818-055 | 4-Hole Gas Manifold - 1/2" | | | | | X | X |
| 21 | 5651-160 | Natural Gas Valve 1/2 x 1/2 | X | X | X | X | X | X |
| 22 | 168-140 | Tube Brace 2 Burner | X | X | | | | |
| 22 | 168-135 | Tube Brace 3 Burner | | | X | X | | |
| 22 | 168-134 | Tube Brace 4 Burner | | | | | X | X |

Refer to drawing on Page 14

CONTROL PANEL



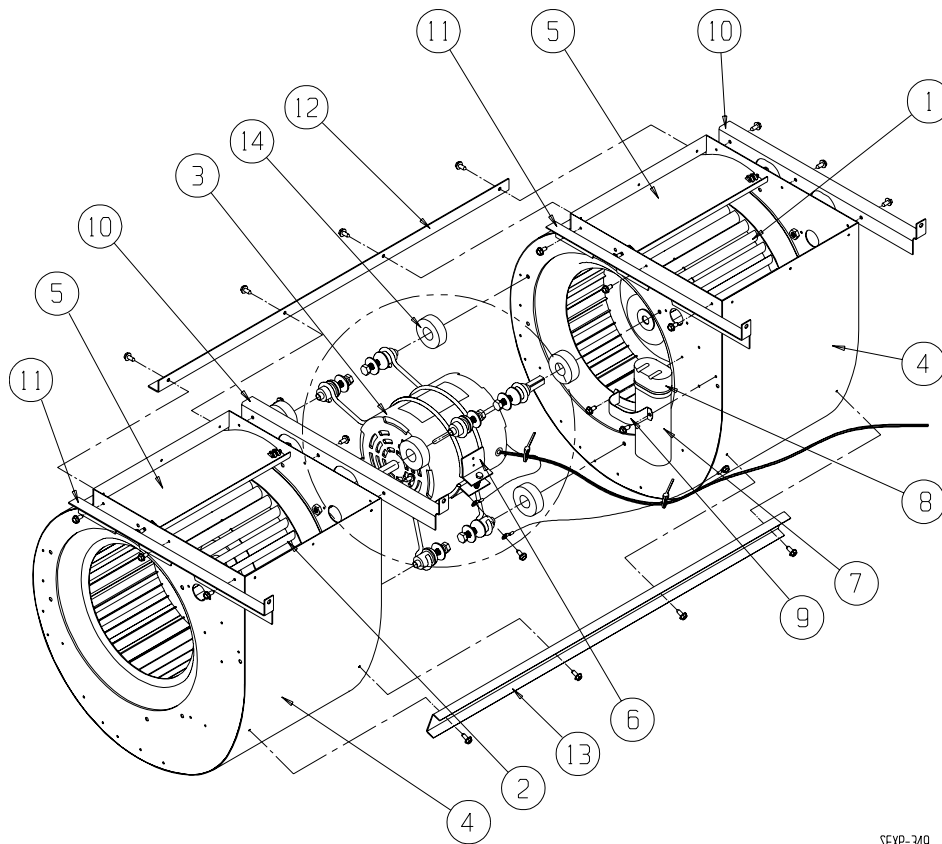
SEXP-564

CONTROL PANEL

| Drawing No. | Part No. | Description | W24G1-A | W24G1-B | W24G1-C | W30G1-A | W30G1-B | W30G1-C | W36G1-A | W36G1-B | W36G1-C |
|-------------|----------|------------------------------------|---------|---------|---------|---------|---------|---------|---------|---------|---------|
| 1 | 5651-159 | Integrated Furnace Control | X | X | X | X | X | X | X | X | X |
| 1 | 8614-045 | 3A Circuit Board Fuse | X | X | X | X | X | X | X | X | X |
| 2 | 8201-086 | 460 Volt Relay DPDT | | | X | | | X | | | X |
| 3 | 8201-032 | 460 Volt Relay SPDT | | | 3 | | | 3 | | | 3 |
| 4 | 8550-008 | Capacitor Bracket | X | | | X | | | X | | |
| 4 | 8550-003 | Capacitor Bracket | | X | X | | X | X | | X | X |
| 5 | 8401-006 | Compressor Contactor, 2-Pole, 20A | X | | | X | | | X | | |
| 5 | 8401-002 | Compressor Contactor, 3-Pole, 25A | | X | X | | X | X | | X | X |
| 6 | 8201-088 | Compressor Control Module | X | X | X | X | X | X | X | X | X |
| 7 | 517-276 | Control Panel | X | X | X | X | X | X | X | X | X |
| 8 | 117-248 | Low Voltage Box | X | X | X | X | X | X | X | X | X |
| 9 | 8607-024 | Terminal Strip | X | X | X | X | X | X | X | X | X |
| 10 | 8407-035 | Transformer 50 VA 208/240 - 24V | X | X | | X | X | | X | X | |
| 10 | 8407-042 | Transformer 50 VA 480 - 24V | | | X | | | X | | | X |
| 11 | 113-269 | Circuit Breaker Mouting Base | X | X | X | X | X | X | X | X | X |
| 12 | 8615-037 | Circuit Breaker, 30A, 2-Pole, 240V | X | | | | | | | | |
| 12 | 8615-051 | Circuit Breaker, 25A, 3-Pole, 240V | | X | | | | | | | |
| 12 | 8615-067 | 460V 40A Toggle Disconnect | | | X | | | X | | | X |
| 12 | 8615-038 | Circuit Breaker, 35A, 2-Pole, 240V | | | | X | | | | | |
| 12 | 8615-055 | Circuit Breaker, 40A, 2-Pole, 240V | | | | | | | X | | |
| 12 | 8615-051 | Circuit Breaker, 25A, 3-Pole, 240V | | | | | | | | | |
| 12 | 8615-042 | Circuit Breaker, 35A, 3-Pole, 240V | | | | | X | | | X | |
| 13 | 8611-006 | Ground Terminal | X | X | X | X | X | X | X | X | X |
| 14 | 8615-057 | Circuit Breaker Mounting Feet | 2 | 2 | | 2 | 2 | | 2 | 2 | |
| 14 | 8615-008 | Circuit Breaker Mounting Feet | | | .5 | | | .5 | | | .5 |
| 15 | 135-130 | Wire Shield | X | X | X | X | X | X | X | X | X |
| 16 | 8552-002 | Capacitor 5 MFD 370V | | X | X | | X | X | | X | X |
| 16 | 8552-050 | Capacitor 40+5 MFD 370V | X | | | | | | | | |
| 16 | 8552-049 | Capacitor 35+5 MFD 440V | | | | | | | | | |
| 16 | 8552-052 | Capacitor 45+5 MFD 370V | | | | X | | | X | | |
| 17 | 8201-085 | 3 Phase Line Monitor | | | | | X | | | | X |
| NS | 4085A144 | Wiring Diagram | X | | | | | | | | |
| NS | 4085A244 | Wiring Diagram | | X | | | | | | | |
| NS | 4085A365 | Wiring Diagram | | | X | | | | | | |
| NS | 4085A146 | Wiring Diagram | | | | X | | | X | | |
| NS | 4085A246 | Wiring Diagram | | | | | X | | | X | |
| NS | 4085A367 | Wiring Diagram | | | | | | X | | | X |

NS – Not Shown

BLOWER ASSEMBLY



SEXP-349

| Drawing No. | Part No. | Description | S900-266 | S900-267 | S900-275 | S900-276 |
|-------------|----------|------------------------|----------|----------|----------|----------|
| 1 | 5152-096 | Blower Wheel 10-6 | X | X | X | X |
| 2 | 5152-072 | Blower Wheel 10-6 | X | X | X | X |
| 3 | 8105-049 | Motor 230/208 V | | X | | |
| 3 | 8620-208 | Motor 460V | | | | X |
| 3 | 8104-017 | Motor 230/208 V | X | | | |
| 3 | 8620-207 | Motor 460V | | | X | |
| 4 | 151-117 | Blower Housing | 2 | 2 | 2 | 2 |
| 5 | 144-167 | Diffuser | 2 | 2 | 2 | 2 |
| 6 | 8200-040 | Motor Mount | X | X | X | X |
| 7 | 8552-004 | Capacitor 7.5 MFD 370V | X | X | X | X |
| 8 | 8611-002 | Capacitor Boot | X | X | X | X |
| 9 | 8550-003 | Capacitor Bracket | X | X | X | X |
| 10 | 105X1075 | Angle – Right | 2 | 2 | 2 | 2 |
| 11 | 105Y1075 | Angle – Left | 2 | 2 | 2 | 2 |
| 12 | 105-1109 | Angle – Back | X | X | X | X |
| 13 | 165-572 | Channel – Front | X | X | X | X |
| 14 | 5451-011 | Grommets | 3 | 3 | 3 | 3 |