

# REPLACEMENT PARTS MANUAL

## WALL MOUNT GAS ELECTRICS

MODELS: WAG30C, WAG36C, WAG40C

Manual 2110-801

Revision H

Date 11-30-95

Supersedes 09-21-93

\*\*\*\*\*  
\* GENERAL NOTES \*  
\*\*\*\*\*

\*Revised and/or additional pages may be issued from time to time.  
\*A complete and current manual consists of pages dated as shown in the following index.

\*\*\*\*\*  
\*\* INDEX \*\*  
\*\*\*\*\*

<u>Page Description</u>	<u>Page</u>	<u>Date</u>	<u>Supersedes</u>
Cabinet Components--Exploded View	1	02-19-90	07-11-89
" " --Usage List	2	11-30-95	02-01-93
Functional Components--Exploded View	3	02-19-90	01-25-90
" " --Usage List	4	11-30-95	09-02-93
Control Panel--Layout View	5	11-30-95	07-11-89
" " --Usage List	6	11-30-95	02-01-93

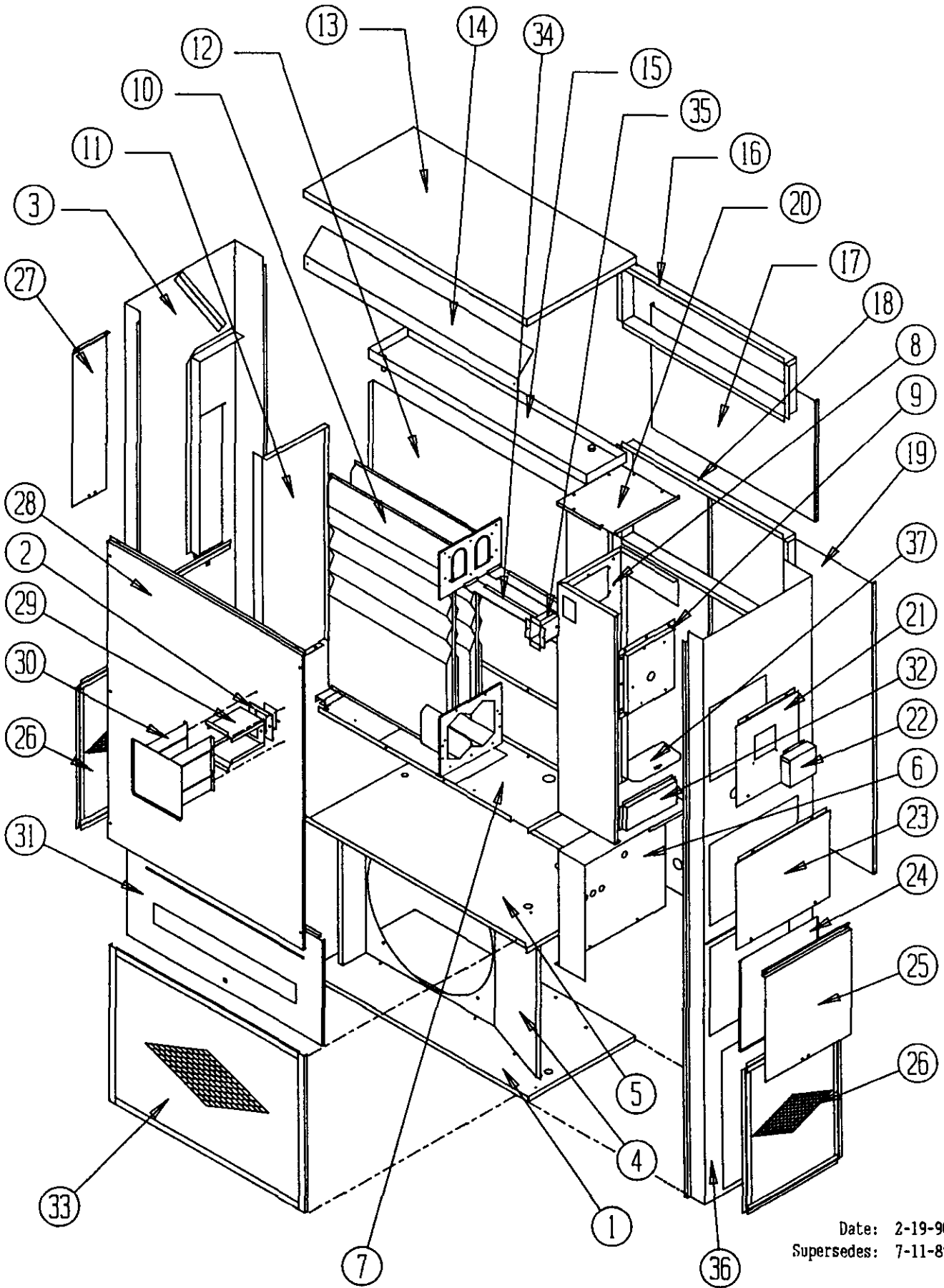
\*\*\*\*\*  
\*\*\* IMPORTANT \*\*\*  
\*\*\*\*\*

Contact the installing and/or local Bard distributor for all parts requirements. Make sure you have the complete model and serial number available from the unit rating plate.

BARD MANUFACTURING COMPANY

BRYAN, OHIO 43506

CABINET COMPONENTS



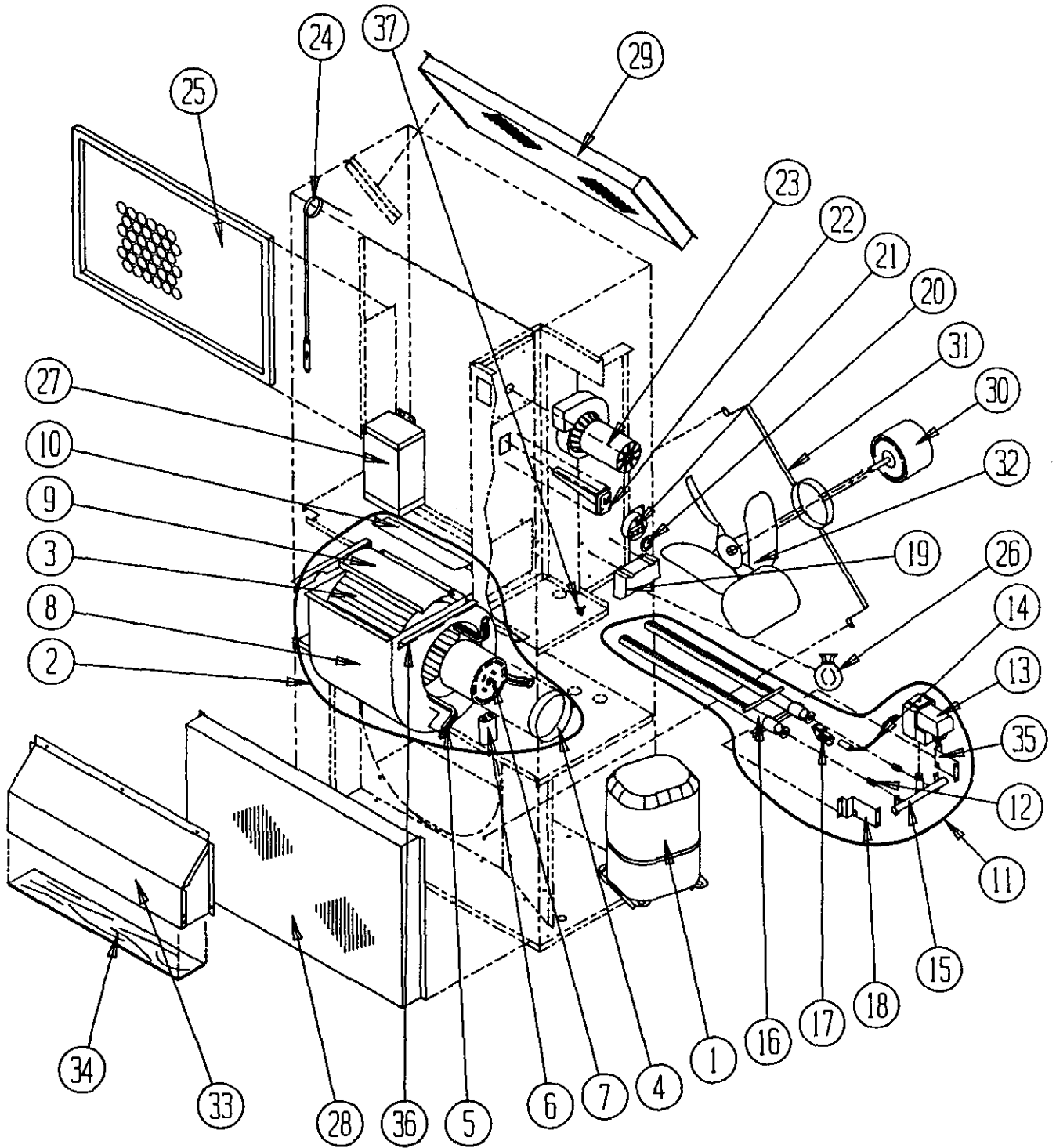
Date: 2-19-90  
Supersedes: 7-11-89

CABINET COMPONENTS

Dwg. No.	Part No.	Description	W A G 3 O C   A 5 4 C	W A G 3 C   A 5 4 C	W A G 3 C   B 5 4 C	W A G 3 C   C 5 4 C	W A G 4 O C   A 5 4 C	W A G 4 O C   B 5 4 C	W A G 4 O C   C 5 4 C
1	127-216	Lower Base	X	X	X	X	X	X	X
2	1921-017	Vent Term. Gasket	X	X	X	X	X	X	X
3	501-179	Left Side Assembly	X	X	X	X	X	X	X
4	124-016	Fan Shroud	X	X	X	X	X	X	X
5	520-108	Condenser Partition	X	X	X	X	X	X	X
6	Control Panel	(See Control Panel Assembly Drawing and Parts List)							
7	127-143	Blower Base	X	X	X	X	X	X	X
8	520-110	Heat Exchanger Partition	X	X	X	X	X	X	X
9	913-0018	Flue Collector Box Assembly	X	X	X	X	X	X	X
10	171-152	Heat Exchanger Assembly	X	X	X	X	X	X	X
11	520-111	Side Partition Assembly	X	X	X	X	X	X	X
12	520-109	Vertical Partition	X	X	X	X	X	X	X
13	506-107	Top	X	X	X	X	X	X	X
14	134-096	Air Baffle	X	X	X	X	X	X	X
15	123-067	Water Pan Assembly	X	X	X	X	X	X	X
16	111-025	Outlet Air Frame	X	X	X	X	X	X	X
17	508-056	Upper Back	X	X	X	X	X	X	X
18	111-018	Inlet Air Frame	X	X	X	X	X	X	X
19	508-069	Lower Back Assembly	X	X	X	X	X	X	X
20	506-108	Heat Exchanger Part. Top	X	X	X	X	X	X	X
21	552-138	Induced Blower Door	X	X	X	X	X	X	X
22	134-097	Induced Blower Hood	X	X	X	X	X	X	X
23	152-139	Burner Door	X	X	X	X	X	X	X
24	132-096	Inner Control Cover	X	X	X		X	X	
24	132-116	Inner Control Cover				X			X
25	152-136	Outer Control Cover	X	X	X	X	X	X	X
26	119-020	Side Condenser Grille	2	2	2	2	2	2	2
27	552-137	Filter Access	X	X	X	X	X	X	X
28	514-062	Upper Front	X	X	X	X	X	X	X
29	168-029	Inner Vent Term	X	X	X	X	X	X	X
30	169-030	Outer Vent Term	X	X	X	X	X	X	X
31	514-080	Lower Front	X	X	X	X	X	X	X
32	168-003	Secondary Air Baffle	X	X	X	X	X	X	X
33	119-003	Front Condenser Grille	X	X	X	X	X	X	X
34	168-002	Flue Baffle	2	2	2	2	2	2	2
35	169-026	Flue Transition	X	X	X	X	X	X	X
36	501-178	Right Side Assembly	X	X	X	X	X	X	X
37	140-164	Switch Support	X	X	X	X	X	X	X

Date: 11-30-95  
Supersedes: 01-13-93

FUNCTIONAL COMPONENTS

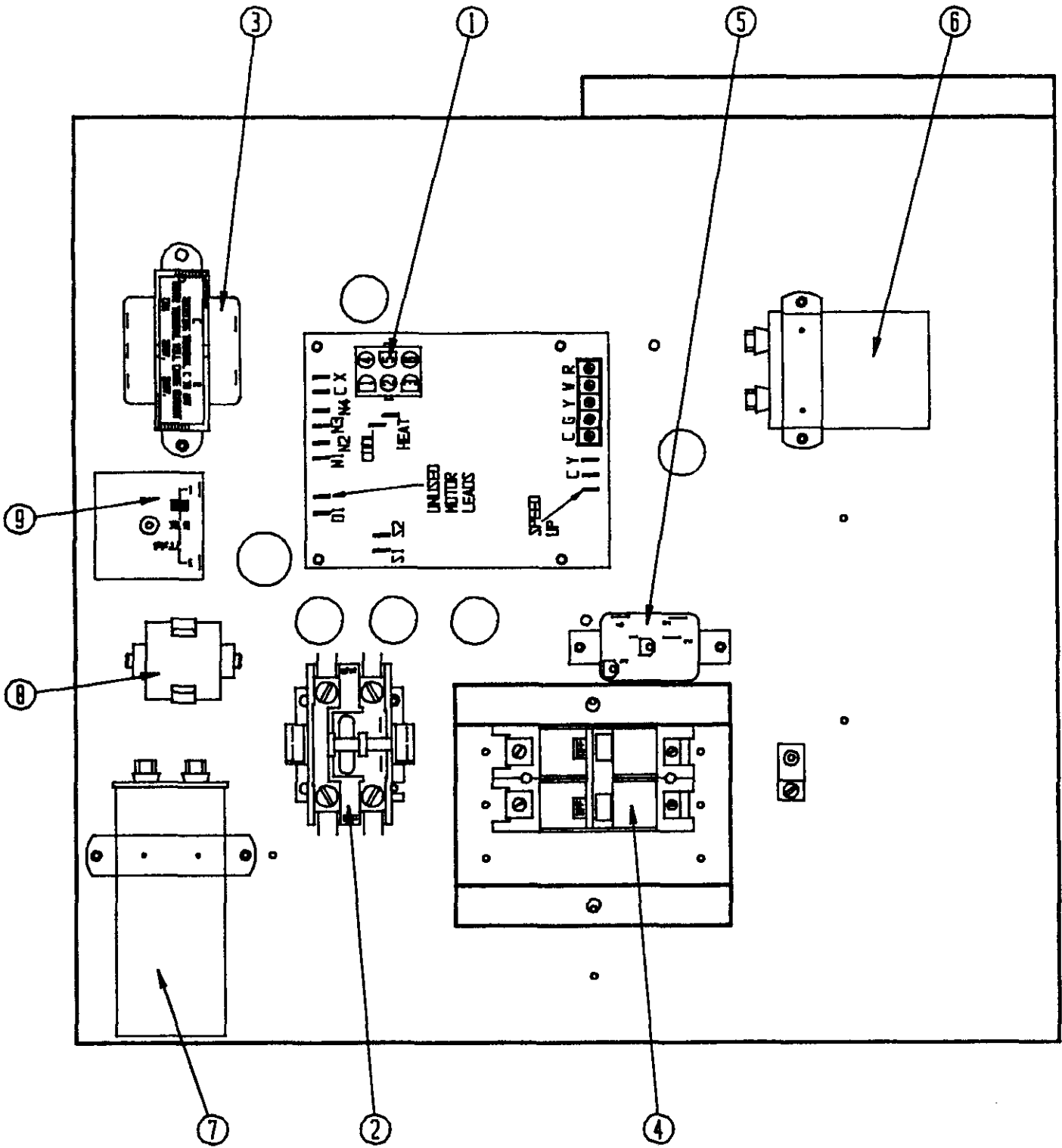


Date: 2-19-90  
Supersedes: 1-25-90

FUNCTIONAL COMPONENTS

Dwg. No.	Part No.	Description	W	W	W	W	W	W	W
			A	A	A	A	A	A	A
			G	G	G	G	G	G	G
			3	3	3	3	4	4	4
			C	C	C	C	C	C	C
			A	A	B	C	A	B	C
			5	5	5	5	5	5	5
			4	4	4	4	4	4	4
			C	C	C	C	C	C	C
1	8000-132	Compressor	X						
1	8000-125	Compressor		X					
1	8000-133	Compressor			X				
1	8000-134	Compressor				X			
1	8000-126	Compressor					X		
1	8000-127	Compressor						X	
1	8000-128	Compressor							X
2	900-123	Blower Assembly (Complete)	X	X	X	X	X	X	X
3	5152-059	Blower Wheel	X	X	X	X	X	X	X
4	8200-033	Motor Mount Band	X	X	X	X	X	X	X
5	8200-036	Motor Mount Arm	3	3	3	3	3	3	3
6	8552-002	Capacitor	X	X	X	X	X	X	X
7	8105-031	Blower Motor	X	X	X	X	X	X	X
8	151-083	Blower Housing	X	X	X	X	X	X	X
9	144-129	Diffuser	X	X	X	X	X	X	X
10	104-752	Blower Seal	X	X	X	X	X	X	X
11	901-0072	Burner Assembly (Complete)	X	X	X	X	X	X	X
12	9010-043	High Rate Orifice (Nat. #36)	2	2	2	2	2	2	2
13	5651-080	Gas Valve	X	X	X	X	X	X	X
14	8600-010	Ignition Wire	X	X	X	X	X	X	X
15	5818-023	Burner Manifold	X	X	X	X	X	X	X
16	9010-036	Burner (2 Cell)	X	X	X	X	X	X	X
17	8620-038	Pilot Burner	X	X	X	X	X	X	X
18	112Y095	Left Manifold Bracket	2	2	2	2	2	2	2
19	5651-093	Ignition Module	X	X	X	X	X	X	X
20	5451-015	Rubber Grommet	X	X	X	X	X	X	X
21	8406-052	Pressure Switch	X	X	X	X	X	X	X
22	8402-052	Limit Control	X	X	X	X	X	X	X
23	8109-002	Induced Draft Motor	X	X	X	X	X	X	X
24	800-0128	Capillary Assembly	X						
24	800-0129	Capillary Assembly		X	X	X			
24	800-0130	Capillary Assembly					X	X	X
25	7004-016	Air Filter	X	X	X	X	X	X	X
26	400-0027	Low Rate Orifice Kit (Nat. #40)	X	X	X	X	X	X	X
27	8407-003	460V Transformer				X			X
28	5051-035	Condenser Coil	X						
28	5051-054	Condenser Coil		X	X	X			
28	5051-050	Condenser Coil					X	X	X
29	5060-037	Evaporator Coil	X						
29	5060-050	Evaporator Coil		X	X	X	X	X	X
30	8103-019	Condenser Motor	X						
30	8105-034	Condenser Motor		X	X	X	X	X	X
31	8200-037	Fan Motor Mount	X	X	X	X	X	X	X
32	5151-038	Fan Blade	X						
32	5151-028	Fan Blade		X	X	X	X	X	X
33	913-0068	Fresh Air Damper Assembly	X	X	X	X	X	X	X
34	7003-036	Air Filter	X	X	X	X	X	X	X
35	112X095	Right Manifold Bracket	X	X	X	X	X	X	X
36	104-791	Blower Angles	2	2	2	2	2	2	2
37	8406-046	Flame Rollout Switch	X	X	X	X	X	X	X
	8620-040	Pilot Gas Tube With Fittings	X	X	X	X	X	X	X
	5153-030	Tee/Orifice Assembly	X	X	X	X	X	X	X

CONTROL PANEL



Date: 11-30-95  
Supersedes: 07-11-89

CONTROL PANEL

Dwg. No.	Part No.	Description	W	W	W	W	W	W	W
			A	A	A	A	A	A	A
			G	G	G	G	G	G	G
			3	3	3	3	4	4	4
			0	6	6	6	0	0	0
			C	C	C	C	C	C	C
			A	A	B	C	A	B	C
			5	5	5	5	5	5	5
			4	4	4	4	4	4	4
			C	C	C	C	C	C	C
1	8201-076	Blower Control	X	X	X	X	X	X	X
2	8401-007	Contacto Coil	X	X			X		
2	8401-002	Contacto Coil			X	X		X	X
3	8407-046	Transformer	X	X	X	X	X	X	X
4	8615-038	Circuit Breaker	X						
4	8615-055	Circuit Breaker		X					
4	8615-052	Circuit Breaker			X				
4	8615-040	Circuit Breaker					X		
4	8615-042	Circuit Breaker						X	
4	8615-053	Pull Disconnect				X			X
5	8201-008	Outdoor Fan Relay				X			X
6	8552-002	Fan Capacitor	X						
6	8552-005	Fan Capacitor			X	X		X	X
7	8552-048	Compressor/Fan Capacitor	X						
7	8552-055	Compressor/Fan Capacitor		X			X		
8		Low Voltage Kit	<----Field Installed---->						
9		Compressor Anti Cycle Relay	<----Field Installed---->						
	4085-112	Wiring Diagram	X	X			X		
	4085-212	Wiring Diagram			X			X	
	4085-312	Wiring Diagram				X			X

Date: 11-30-95  
 Supersedes: 01-13-93

