

# REPLACEMENT PARTS MANUAL

## DUCT HEATERS MODEL 8604-080, 8604-081, 8604-082, 8604-083

Manual 2110-730

Revision --

Date 12-21-89

Supersedes

\*\*\*\*\*  
\* GENERAL NOTES \*  
\*\*\*\*\*

\*Revised and/or additional pages may be issued from time to time.  
\*A complete and current manual consists of pages dated as shown in the following index.

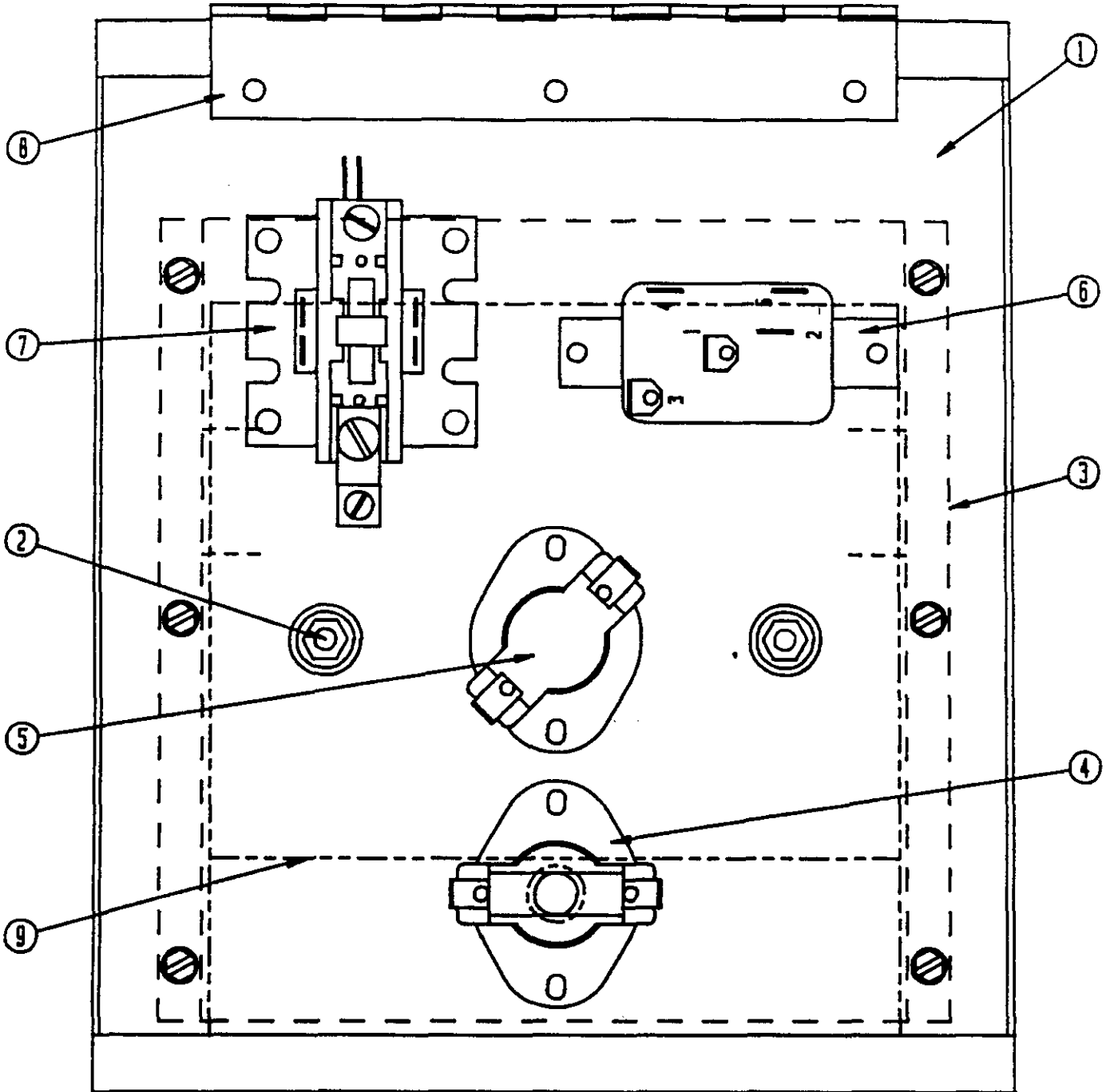
\*\*\*\*\*  
\*\* INDEX \*\*  
\*\*\*\*\*

<u>Page</u>	<u>Description</u>	<u>Page</u>	<u>Date</u>	<u>Supersedes</u>
	Functional Components--Exploded View	8604-080	1	12-21-89
"	" --Usage List		2	12-21-89
	Functional Components--Exploded View	8604-081	3	12-21-89
"	" --Usage List		4	12-21-89
	Functional Components--Exploded View	8604-082	5	12-21-89
"	" --Usage List		6	12-21-89
	Functional Components--Exploded View	8604-083	7	12-21-89
"	" --Usage List		8	12-21-89

\*\*\*\*\*  
\*\*\* IMPORTANT \*\*\*  
\*\*\*\*\*

Contact the installing and/or local Bard distributor for all parts requirements. Make sure you have the complete model and serial number available from the unit rating plate.

FUNCTIONAL COMPONENTS



- (10) CONTROL PANEL DOOR (NOT SHOWN)
- (11) DOOR LATCH (NOT SHOWN)

DUCT HEATER # 8604-080

Date: 12-21-89  
Supersedes:

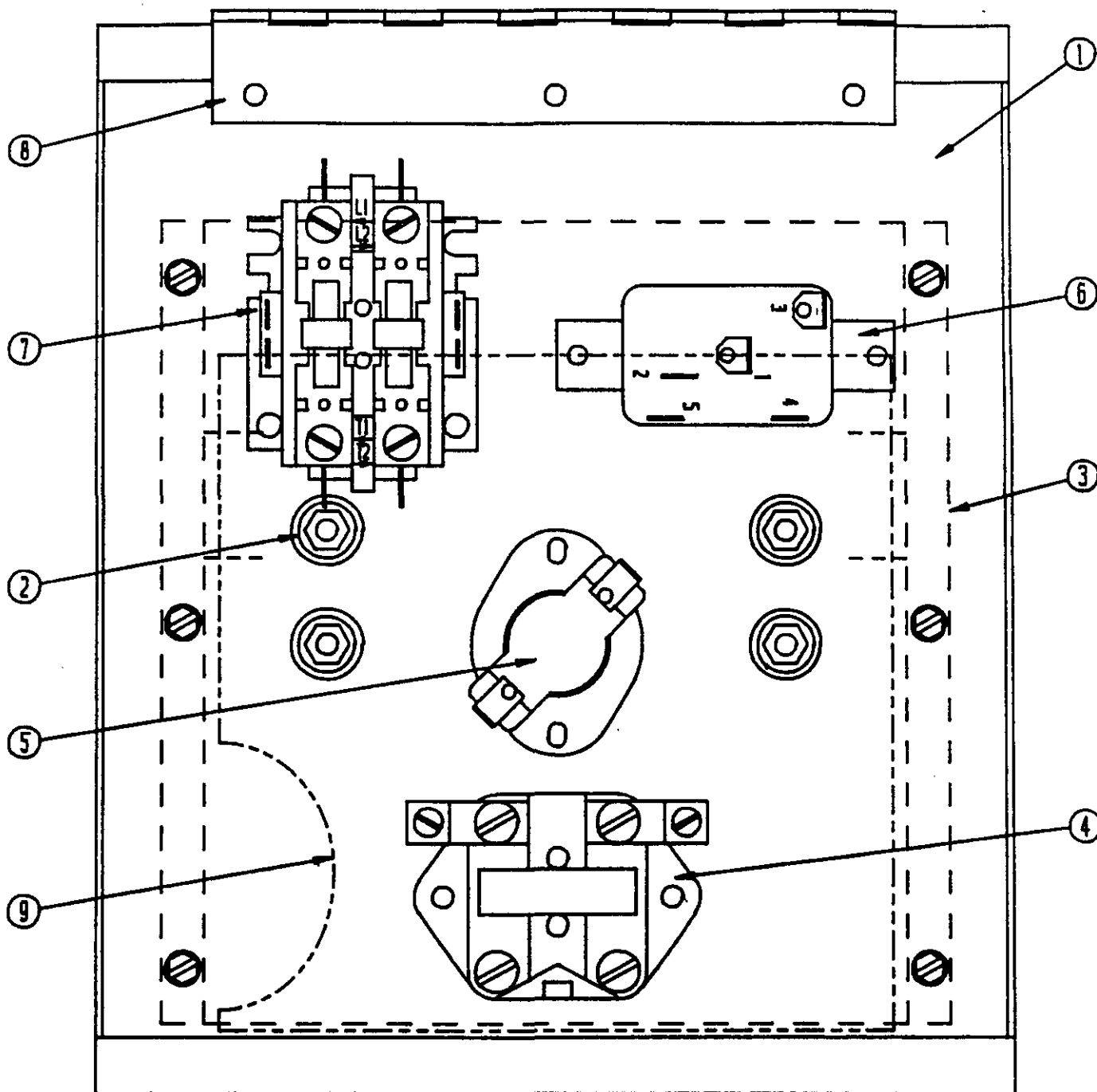
FUNCTIONAL COMPONENTS

Dwg. No.	Part No.	Description	8604-080 (5KW)
4	8406-026	Manual Reset Limit	1
5	8402-011	Limit Switch	1
6	8201-009	Interlock Relay	1
7	8401-006	Heat Contactor	1
NS	8604-084	5KW Element w/Hardware	1

NS - Not shown

Date: 12-21-89  
Supersedes:

FUNCTIONAL COMPONENTS



⑩ CONTROL PANEL DOOR (NOT SHOWN)

⑪ DOOR LATCH (NOT SHOWN)

DUCT HEATER # 6604-081

Date: 12-21-89

Supersedes:

2110-730

Page 3

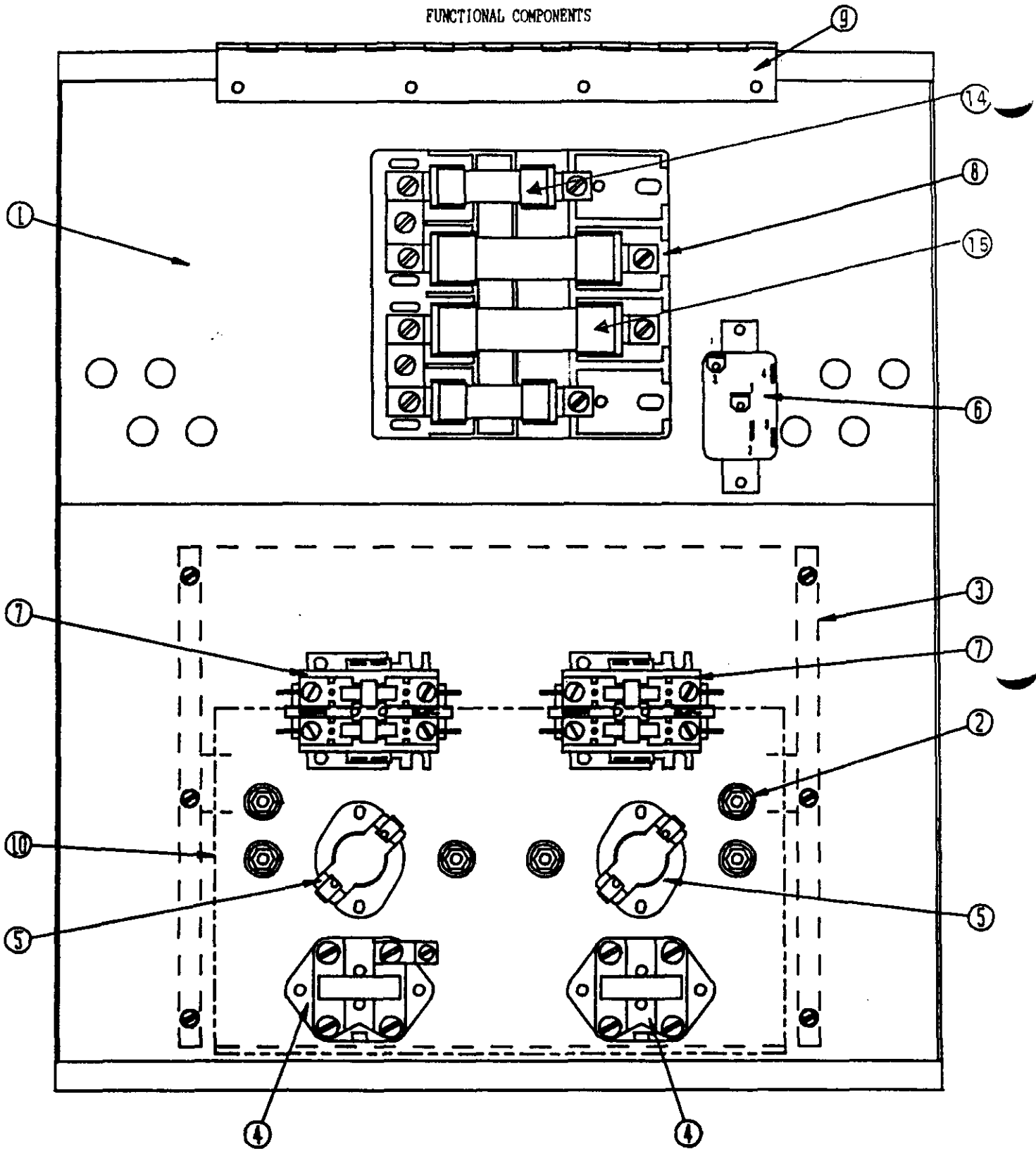
FUNCTIONAL COMPONENTS

Dwg. No.	Part No.	Description	8604-081 (9.8KW)
4	8406-027	Manual Reset Limit	1
5	8402-011	Limit Switch	1
6	8201-009	Interlock Relay	1
7	8401-006	Heat Contactor	1
NS	8604-084	5KW Element w/Hardware	2

NS - Not shown

Date: 12-21-89  
Supersedes:

FUNCTIONAL COMPONENTS



⑪ CONTROL PANEL DOOR (NOT SHOWN)

⑫ DOOR LATCH (NOT SHOWN)

DUCT HEATER # 8604-082

Date: 12-21-89

Supersedes:

2110-730

Page 5

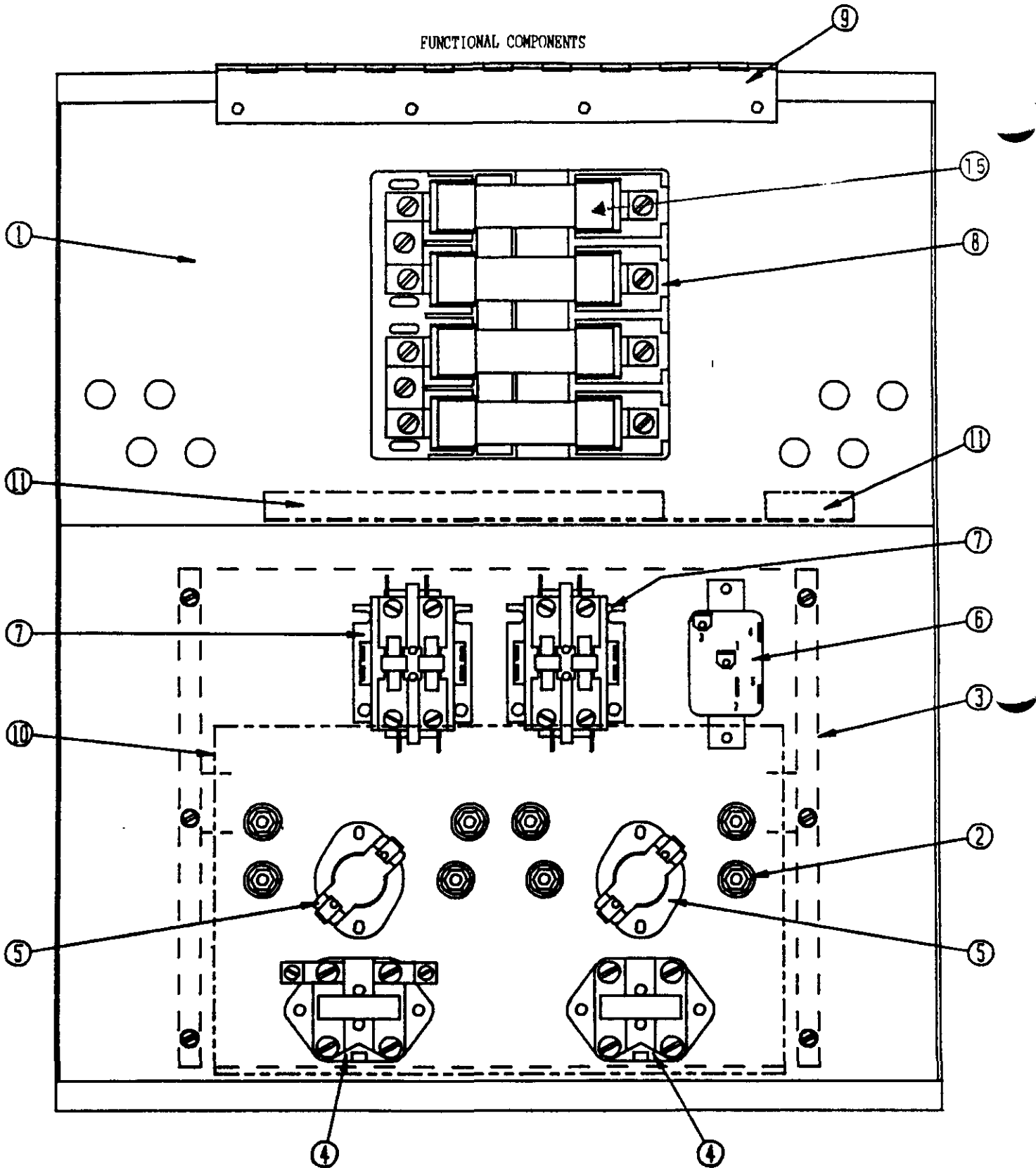
FUNCTIONAL COMPONENTS

Dwg. No.	Part No.	Description	8604-082 (14.7KW)
4	8406-027	Manual Reset Limit	2
5	8402-011	Limit Switch	2
6	8201-009	Interlock Relay	1
7	8401-006	Heat Contactor	2
8	8614-017	Fuse Block	1
14	8614-006	Fuse (30A)	2
15	8614-007	Fuse (60A)	2
NS	8604-084	5KW Element w/Hardware	3

NS - Not shown

Date: 12-21-89  
Supersedes:

FUNCTIONAL COMPONENTS



⑫ CONTROL PANEL DOOR (NOT SHOWN)

⑬ DOOR LATCH (NOT SHOWN)

DUCT HEATER # 8604-083

Date: 12-21-89

Supersedes:

2110-730

Page 7



FUNCTIONAL COMPONENTS

Dwg. No.	Part No.	Description	8604-083 (19.2KW)
4	8406-027	Manual Reset Limit	2
5	8402-011	Limit Switch	2
6	8201-009	Interlock Relay	1
7	8401-006	Heat Contactor	2
8	8614-018	Fuse Block	1
15	8614-007	Fuse (60A)	4
NS	8604-085	4.8KW Element w/Hardware	4

NS - Not shown

Date: 12-21-89  
Supersedes:

