

REPLACEMENT PARTS MANUAL

WATER SOURCE HEAT PUMP MODELS WQS50, WQSD50

Manual 2110-729

Revision --

Date 10-03-89

Supersedes

* GENERAL NOTES *

*Revised and/or additional pages may be issued from time to time.
*A complete and current manual consists of pages dated as shown in the following index.

** INDEX **

<u>Page Description</u>	<u>Page</u>	<u>Date</u>	<u>Supersedes</u>
Functional and Cabinet Components--Exploded View	1	10-03-89	
" " " " --Usage List	2	10-03-89	

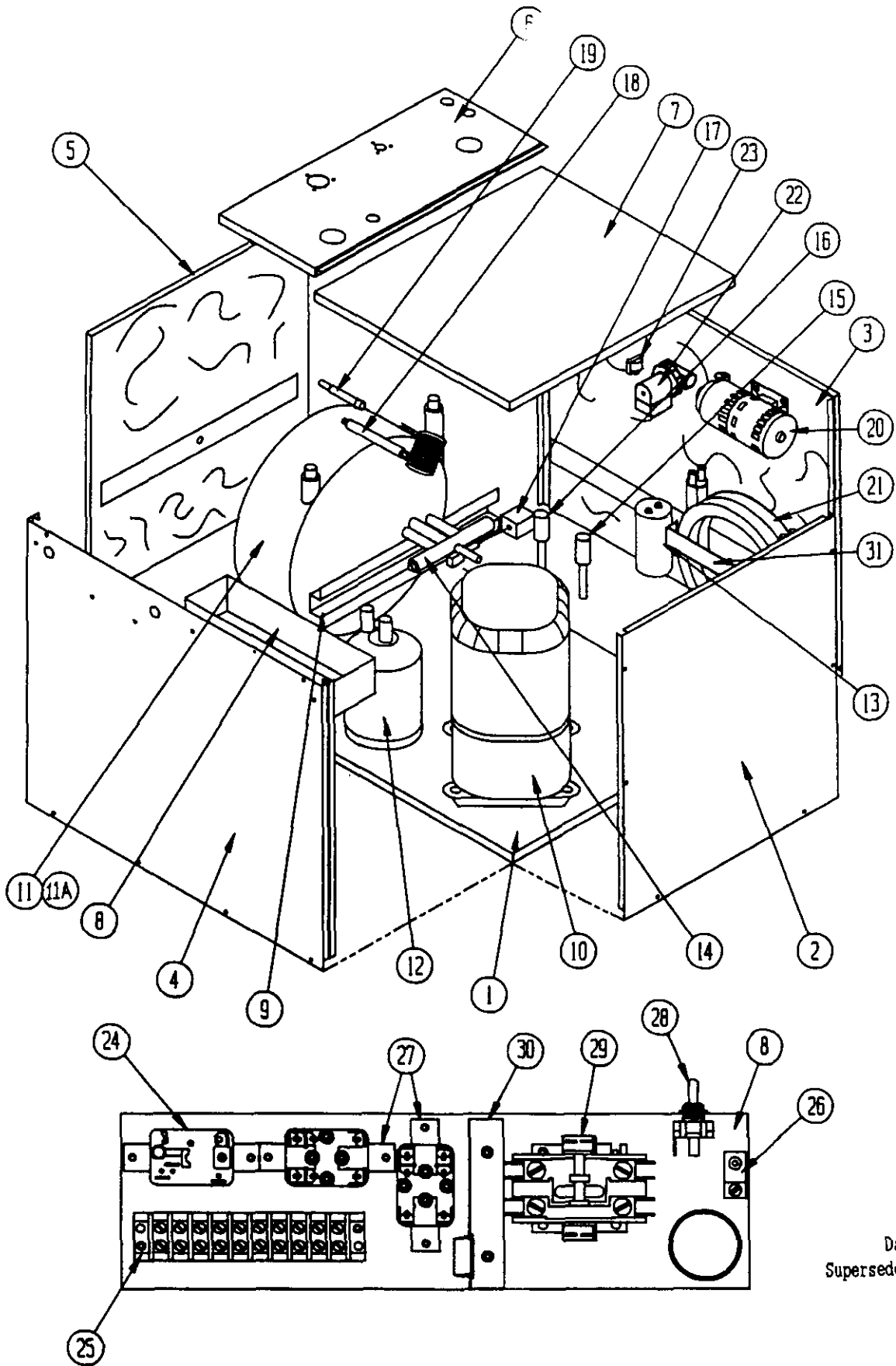
*** IMPORTANT ***

Contact the installing and/or local Bard distributor for all parts requirements. Make sure you have the complete model and serial number available from the unit rating plate.

BARD MANUFACTURING COMPANY

BRYAN, OHIO 43506

FUNCTIONAL AND CABINET COMPONENTS



Date: 10-03-89
Supersedes:

FUNCTIONAL AND CABINET COMPONENTS

Dwg. No.	Part No.	Description	W Q S 5 0	W Q S D 5 0
1	127-092	Base Weld Assembly	X	X
2	552-082	Front Assembly	X	X
3	501-119	Right Side Assembly	X	X
4	500-120	Left Side Assembly	X	X
5	553-082	Condenser Access Panel Assembly	X	X
6	156-014	Entrance Panel	X	X
7	506-072	Top Assembly	X	X
8	116-009	Control Panel	X	X
9	140-026	Support Water Coil Hold Down	X	X
10	8000-072	Compressor	X	X
11	917-0009	Water Coil Assembly with Insulation	X	X
11A	5021-0336	Insulation Jacket Only	X	X
12	5650-006	Suction Accumulator	X	X
13	8552-030	Capacitor 40/440	X	X
14	5650-006	Reversing Valve	X	X
15	8406-016	High Pressure Switch	X	X
16	8406-045	Low Pressure Switch	X	X
17	5650-008	Solenoid Coil	X	X
18	800-0111	Capillary Tube Assembly	X	X
19	5651-036	Check Valve	X	X
20	8300-001	Water Pump		X
21	917-0008	Desuperheater Coil Assembly		X
22	5650-011	Water Solenoid Valve Assembly		X
23	8408-007	Water Pump Thermostat		X
24	8201-037	Impedance Relay	X	X
25	8607-011	Terminal Block 10 Term. 24V	X	X
26	8611-006	Terminal	X	X
27	8201-038	Relay	X	X
28	8406-020	Toggle Switch		X
29	8401-007	Contactora 1-Pole 25 Amp	X	X
30	116-010	Control Panel--Low Volt Barrier	X	X
31	140-086	Desuperheater Hold Down		X

Date: 10-03-89
Supersedes:

