

# REPLACEMENT PARTS MANUAL

## WATER SOURCE HEAT PUMP MODELS WQS30, WQSD30, WQS36, WQSD36

Manual 2110-728

Revision --

Date 10-03-89

Supersedes

\*\*\*\*\*  
\* GENERAL NOTES \*  
\*\*\*\*\*

\*Revised and/or additional pages may be issued from time to time.  
\*A complete and current manual consists of pages dated as shown in the following index.

\*\*\*\*\*  
\*\* INDEX \*\*  
\*\*\*\*\*

<u>Page Description</u>	<u>Page</u>	<u>Date</u>	<u>Supersedes</u>
Functional and Cabinet Components--Exploded View	1	10-03-89	
" " " " --Usage List	2	10-03-89	

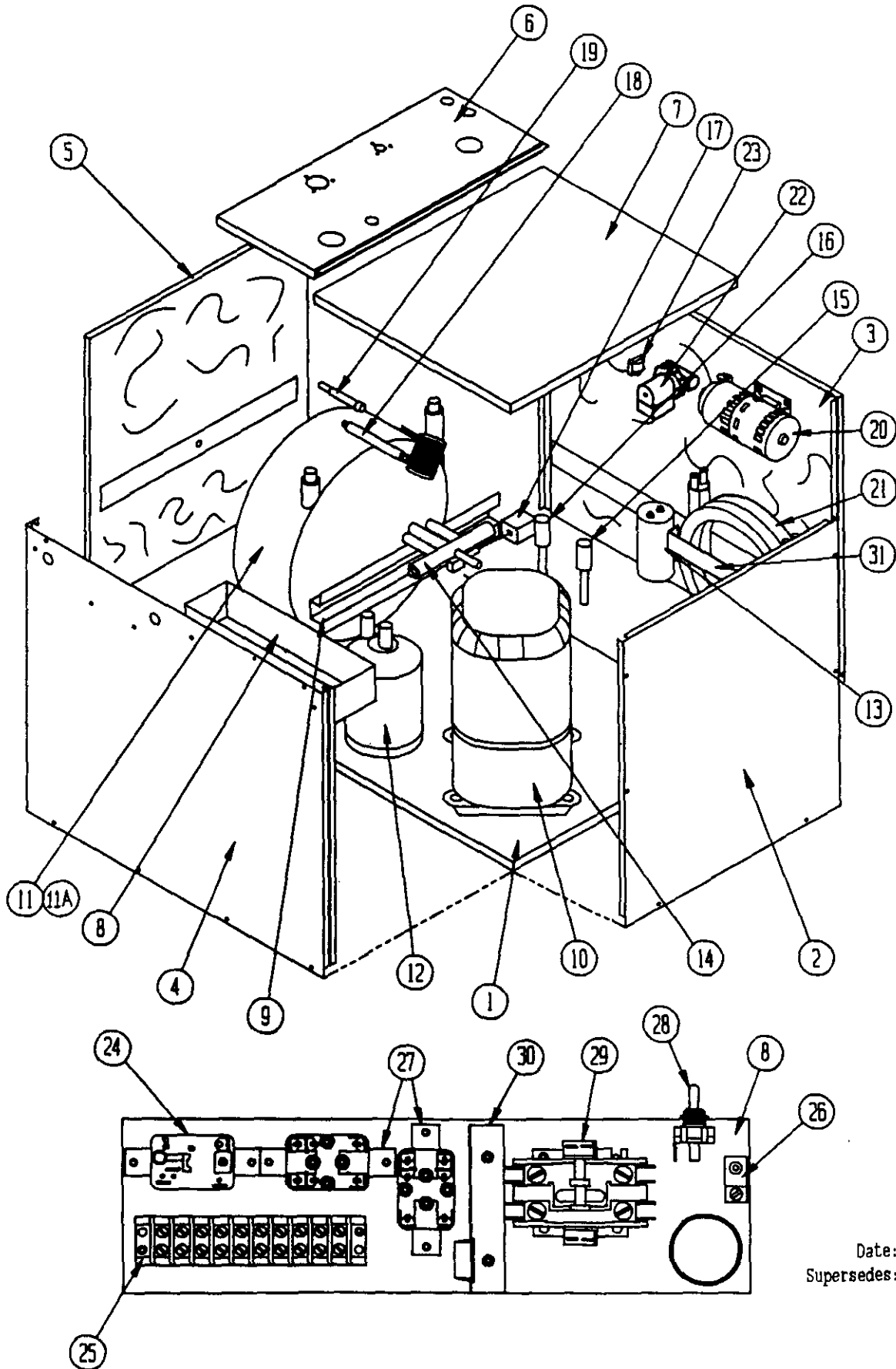
\*\*\*\*\*  
\*\*\* IMPORTANT \*\*\*  
\*\*\*\*\*

Contact the installing and/or local Bard distributor for all parts requirements. Make sure you have the complete model and serial number available from the unit rating plate.

BARD MANUFACTURING COMPANY

BRYAN, OHIO 43506

FUNCTIONAL AND CABINET COMPONENTS



Date: 10-03-89  
Supersedes:

FUNCTIONAL AND CABINET COMPONENTS

Dwg. No.	Part No.	Description	W	W	W	W
			Q	Q	Q	Q
			S	S	S	S
			3	D	3	D
			0	3	6	3
				0		6
1	127-006	Base Weld Assembly	X	X	X	X
2	552-004	Front Access Panel Assembly	X	X	X	X
3	501-007	Right Side Assembly	X	X	X	X
4	500-008	Left Side Assembly	X	X	X	X
5	553-004	Condenser Access Panel Assembly	X	X	X	X
6	156-001	Entrance Panel	X	X		
6	156-002	Entrance Panel			X	X
7	506-005	Top Assembly	X	X		
7	506-006	Top Assembly			X	X
8	116-009	Control Panel	X	X	X	X
9	140-016	Support--Water Coil Hold Down	X	X	X	X
10	8000-071	Compressor	X	X		
10	8000-052	Compressor			X	X
11	917-0006	Water Coil Assembly with Insulation	X	X		
11	917-0007	Water Coil Assembly with Insulation			X	X
11A	5020-026	Insulation Jacket Only	X	X	X	X
12	5202-013	Suction Accumulator	X	X	X	X
13	8552-007	Capacitor 20/15-370	X	X		
13	8552-035	Capacitor 40/370			X	X
14	5650-005	Reversing Valve	X	X		
14	5650-009	Reversing Valve			X	X
15	8406-016	High Pressure Switch	X	X	X	X
16	8406-045	Low Pressure Switch	X	X	X	X
17	5650-008	Solenoid Coil	X	X	X	X
18	800-0110	Capillary Tube Assembly	X	X	X	X
19	5651-036	Check Valve	X	X	X	X
20	8300-001	Water Pump		X		X
21	917-0021	Desuperheater Coil Assembly		X		X
22	5650-011	Water Solenoid Valve Assembly		X		X
23	8408-007	Water Pump Thermostat		X		X
24	8201-037	Impedance Relay	X	X	X	X
25	8607-011	Terminal Block 10 Term. 24V	X	X	X	X
26	8611-006	Terminal	X	X	X	X
27	8201-038	Relay	X	X	X	X
28	8406-020	Toggle Switch		X		X
29	8401-007	Contacto 1-pole 25 Amp	X	X	X	X
30	116-010	Control Panel--Low Volt Barrier	X	X	X	X
31	140-017	Desuperheater Hold Down		X		X

Date: 10-03-89  
Supersedes:

