

# REPLACEMENT PARTS MANUAL

## WATER SOURCE HEAT PUMP

MODELS: WPV53B, WPV62B

Manual 2110-727

Revision 0

Date 09-13-94

Supersedes 04-01-93

\*\*\*\*\*  
\* GENERAL NOTES \*  
\*\*\*\*\*

\*Revised and/or additional pages may be issued from time to time.  
\*A complete and current manual consists of pages dated as shown in the following index.

\*\*\*\*\*  
\*\* INDEX \*\*  
\*\*\*\*\*

<u>Page Description</u>	<u>Page</u>	<u>Date</u>	<u>Supersedes</u>
Cabinet Components--Exploded View	1	08-07-92	07-31-92
" " --Usage List	2	07-31-92	07-11-89
Functional Components--Exploded View	3	07-11-89	
" " --Usage List	4	09-13-94	04-01-93
Control Panel--Layout View	5	07-11-89	
" " --Usage List	6	07-11-89	

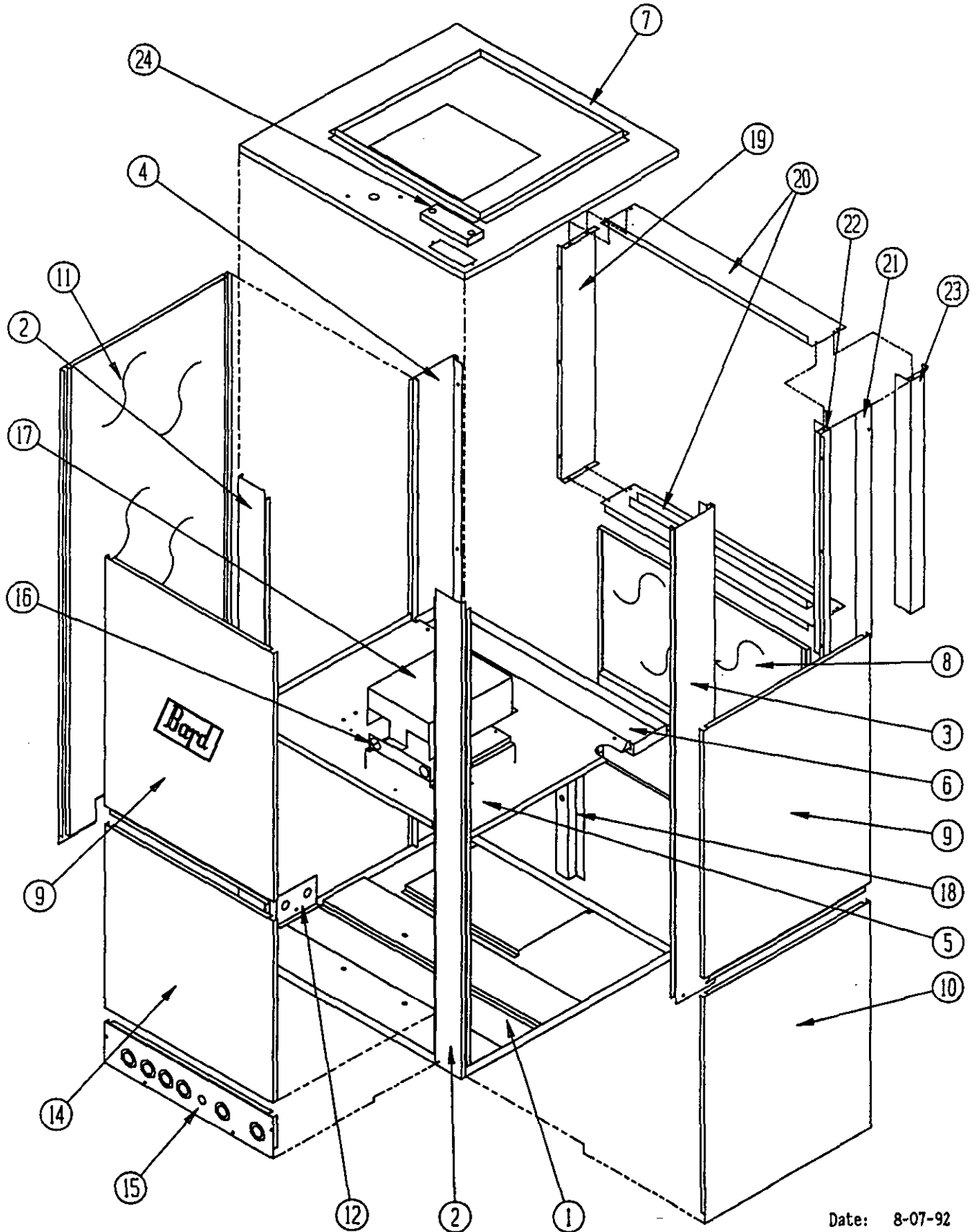
\*\*\*\*\*  
\*\*\* IMPORTANT \*\*\*  
\*\*\*\*\*

Contact the installing and/or local Bard distributor for all parts requirements. Make sure you have the complete model and serial number available from the unit rating plate.

BARD MANUFACTURING COMPANY

BRYAN, OHIO 43506

CABINET COMPONENTS



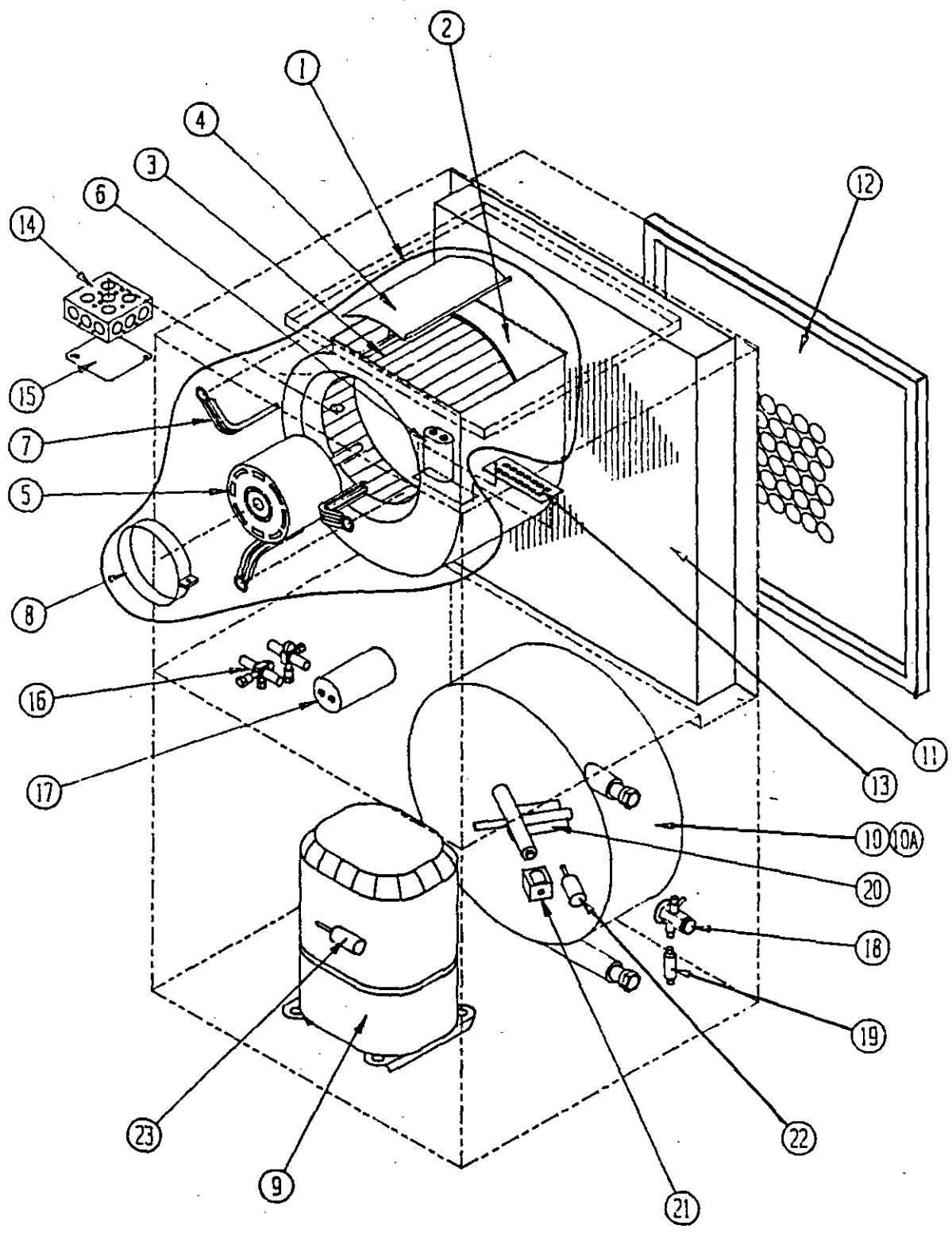
Date: 8-07-92  
Supersedes: 7-31-92

CABINET COMPONENTS

Dwg. No.	Part No.	Description	WPV53B	WPV62B
1	127-008	Base Weld Assembly	X	X
2	548-006	Front Corner Assembly	(2)	(2)
3	549X004	Right Rear Corner Assembly	X	X
4	549Y004	Left Rear Corner Assembly	X	X
5	520-132	Partition Assembly	X	X
6	523-005	Drain Pan Assembly	X	X
7	507-114	Top Assembly	X	X
8	509-074	Lower Back Assembly	X	X
9	514-006	Front and Right Top Panel Assembly	(2)	(2)
10	500-009	Bottom Right Panel Assembly	X	X
11	500-192	Left Side Assembly	X	X
12	156-022	Tubing Entrance Panel	X	X
14	514-007	Bottom Front Assembly	X	X
15	156-021	Water Entrance Panel	X	X
16	116-114	Control Panel	X	X
17	132-006	Control Panel Cover	X	X
18	140-026	Support--Water Coil Hold Down	X	X
19	130-013	Filter Rack Side	X	X
20	131-011	Filter Rack Top and Bottom Weld Assembly	X	X
21	130-010	Filter Rack Door	X	X
22	130-014	Filter Rack Side	X	X
23	131-012	Filter Rack Side Weld Assembly	X	X
24	132-112	Terminal Board Cover	X	X

Date: 7-31-92  
 Supersedes: 7-11-89

FUNCTIONAL COMPONENTS



Date: 7-11-1  
Supersedes:

FUNCTIONAL COMPONENTS

Dwg. No.	Part No.	Description	WPV53B	WPV62B
1	S900-140	Blower Assembly Complete	X	X
2	151-070	Blower Housing	X	X
3	5152-010	Blower Wheel DD10-7	X	X
4	144-125	Diffuser	X	X
5	8106-017	Blower Motor--1/2 h.p.	X	X
6	8552-004	Capacitor 7-1/2 / 370V 1-1/4 Oval	X	X
7	8200-034	Motor Mount Arm with Grommet	3	3
8	8200-033	Motor Mount Band	X	X
9	8000-072	Compressor AV144ET-001-A4	X	
9	8000-106	Compressor AV188ET-038-A4		X
10	917-0010	Water Coil Assembly w/Insulation	X	
10	917-0011	Water Coil Assembly w/Insulation		X
10A	5021-0336	Insulation Jacket Only	X	X
11	5060-029	Evaporator Coil	X	X
12	7004-018	Filter 25x25x1	X	X
13	8607-019	Terminal Block	X	X
14	8614-001	Square Outlet Box 4"	X	X
15	8614-029	Blank Cover 4" x 4"	X	X
16	5651-056	Full Flow Valve 1/2"	2	2
17	8552-030	Capacitor--Comp. 40/440V 2-1/2" round	X	
17	8552-031	Capacitor--Comp. 45/440V 2-1/2" round		X
18	5651-067	Expansion Valve	X	
18	5651-068	Expansion Valve		X
19	5210-010	Strainer	(2)	(2)
20	5650-006	Reversing Valve (See Note A)	X	X
20	5650-015	Reversing Valve (See Note B)	X	X
21	5650-008	Solenoid Coil (See Note A)	X	X
21	5650-023	Solenoid Coil (See Note B)	X	X
22	8406-065	Low Pressure Switch	X	X
23	8406-064	High Pressure Switch	X	X
OPTIONAL ITEMS				
	8603-006	Solenoid Valve 24V	X	X
	8603-007	Constant Flow Valve 6 GPM	X	
	8603-008	Constant Flow Valve 8 GPM		X
	8604-080	Duct Heater 5KW	X	X
	8604-081	Duct Heater 9.8KW	X	X
	8604-082	Duct Heater 14.7KW	X	X
	8604-083	Duct Heater 19.2KW	X	X

NOTE A: For units produced before date code D93.

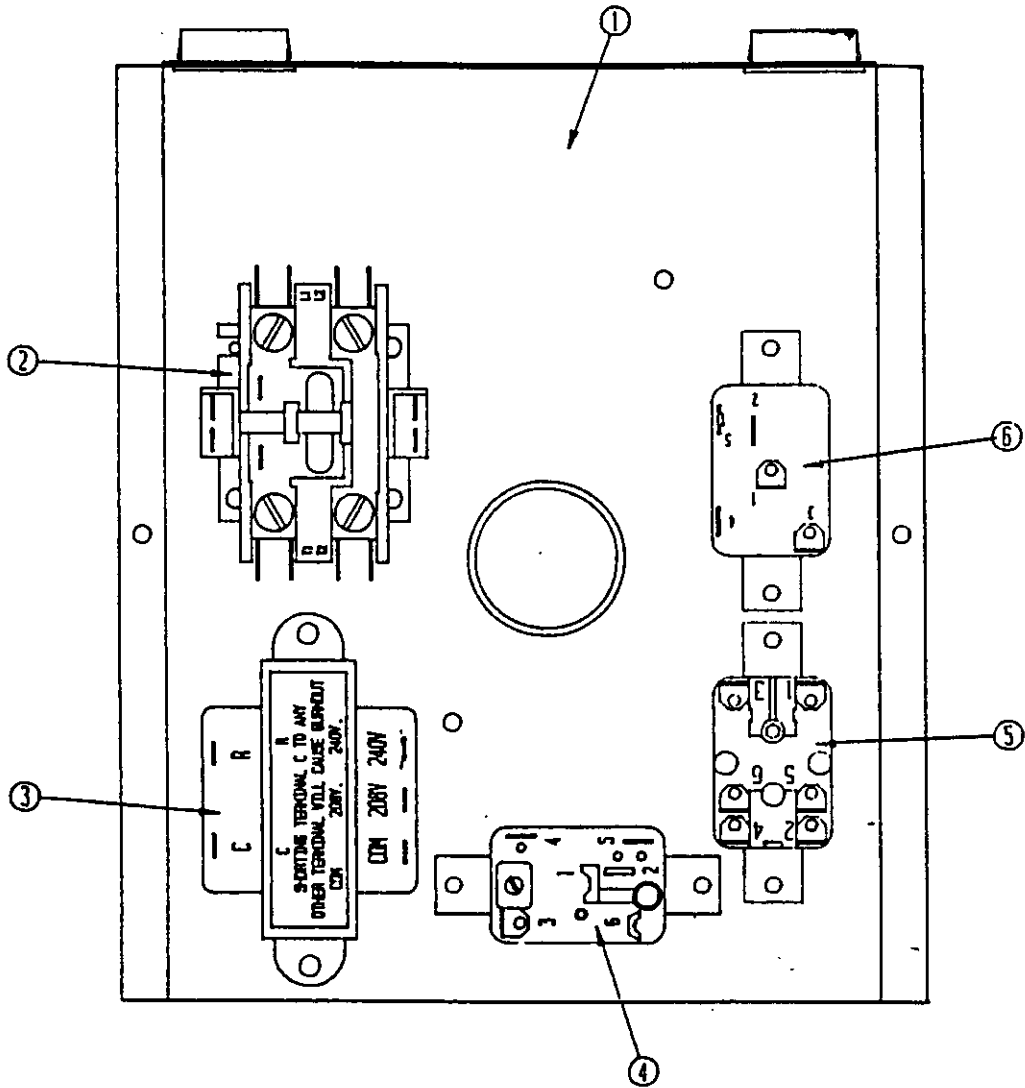
NOTE B: For units produced before date code D93 and after.

Date: 09-13-94  
Supersedes: 04-01-93

2110-727

Page: 4

CONTROL PANEL



Date: 7-11-  
Supersedes:

CONTROL PANEL

Item	Part No.	Description	WPV53B	WPV62B
1	116-114	Control Panel	X	X
2	8401-003	Compressor Contactor		X
2	8401-007	Compressor Contactor	X	
3	8407-035	Transformer	X	X
4	8201-034	Lockout Relay	X	X
5	8201-015	Emergency Heat Relay	X	X
6	8201-008	Blower Relay	X	X

Date: 7-11-89  
 Supersedes:

