

REPLACEMENT PARTS MANUAL

WATER SOURCE HEAT PUMP MODELS WPV53B, WPV62B

Manual 2110-727

Revision A

Date 7-31-92

Supersedes 7-11-89

* GENERAL NOTES *

*Revised and/or additional pages may be issued from time to time.
*A complete and current manual consists of pages dated as shown in the following index.

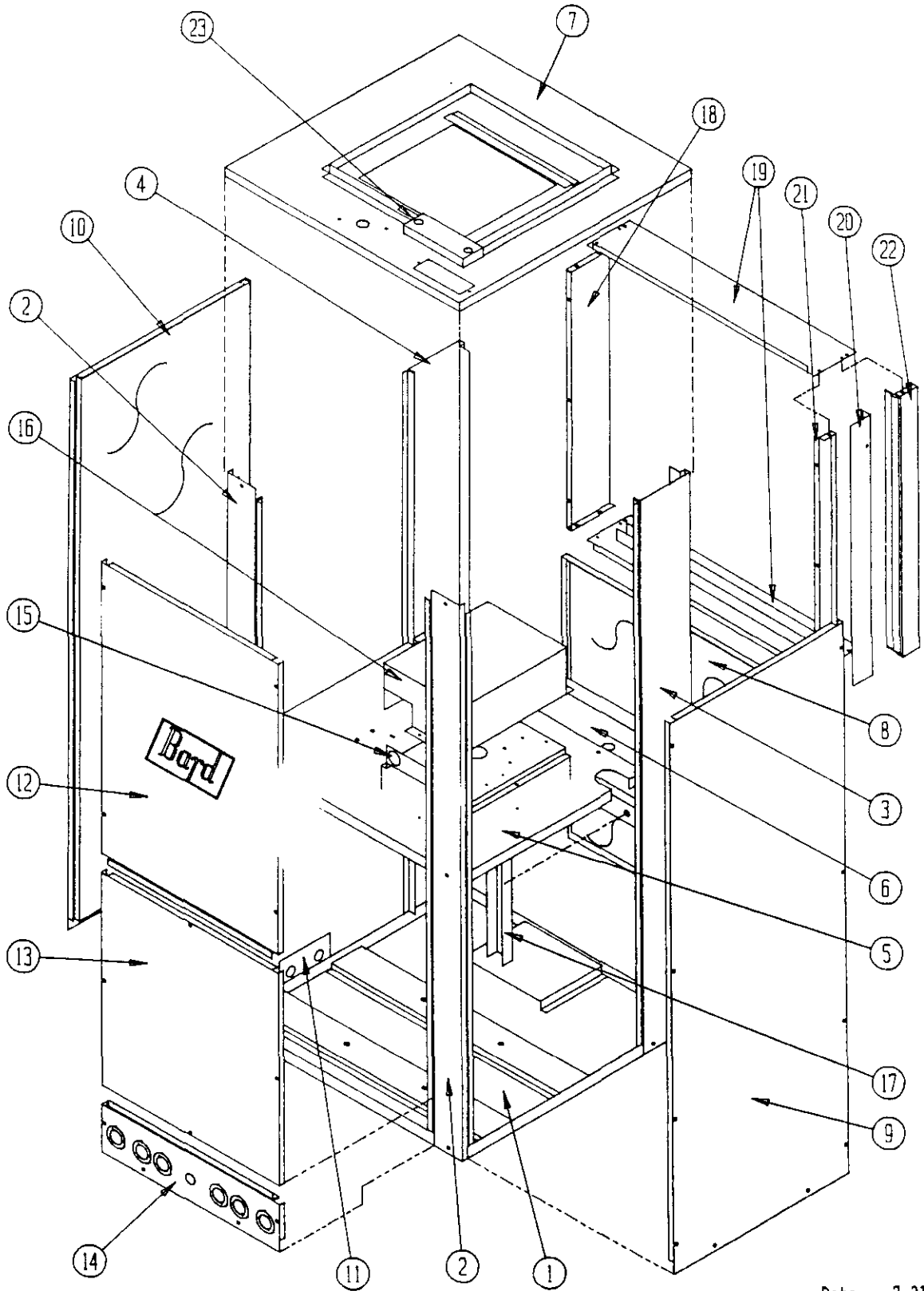
** INDEX **

| <u>Page Description</u> | <u>Page</u> | <u>Date</u> | <u>Supersedes</u> |
|--------------------------------------|-------------|-------------|-------------------|
| Cabinet Components--Exploded View | 1 | 7-31-92 | 7-11-89 |
| " " --Usage List | 2 | 7-31-92 | 7-11-89 |
| Functional Components--Exploded View | 3 | 7-11-89 | |
| " " --Usage List | 4 | 7-11-89 | |
| Control Panel--Layout View | 5 | 7-11-89 | |
| " " --Usage List | 6 | 7-11-89 | |

*** IMPORTANT ***

Contact the installing and/or local Bard distributor for all parts requirements. Make sure you have the complete model and serial number available from the unit rating plate.

CABINET COMPONENTS



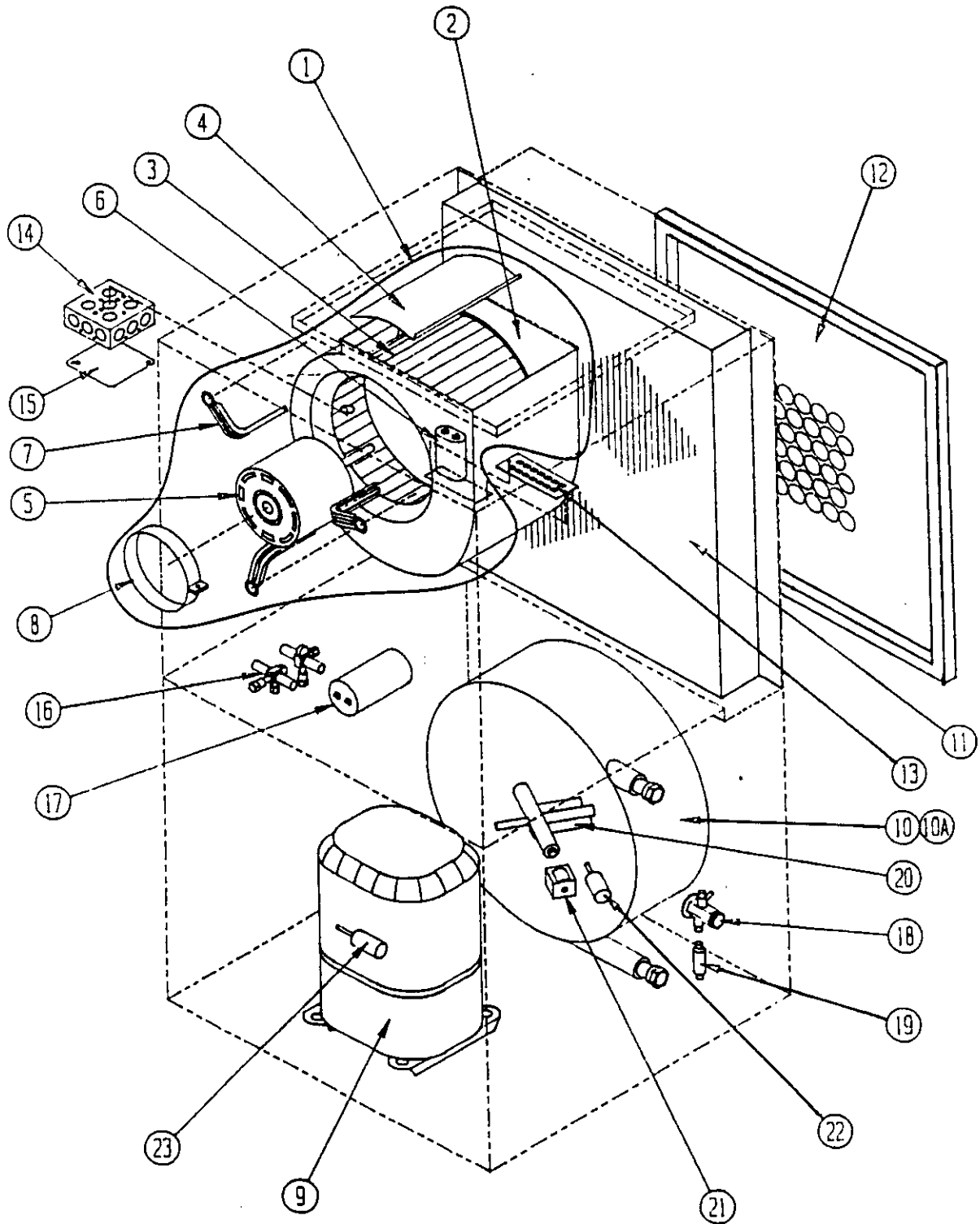
Date: 7-31-92
Supersedes: 7-11-89

CABINET COMPONENTS

| Dwg. No. | Part No. | Description | WPV53B | WPV62B |
|----------|----------|--|--------|--------|
| 1 | 127-008 | Base Weld Assembly | X | X |
| 2 | 548-006 | Front Corner Assembly | (2) | (2) |
| 3 | 549X004 | Right Rear Corner Assembly | X | X |
| 4 | 549Y004 | Left Rear Corner Assembly | X | X |
| 5 | 520-132 | Partition Assembly | X | X |
| 6 | 523-005 | Drain Pan Assembly | X | X |
| 7 | 507-114 | Top Assembly | X | X |
| 8 | 509-074 | Lower Back Assembly | X | X |
| 9 | 514-006 | Front and Right Top Panel Assembly | (2) | (2) |
| 10 | 500-009 | Bottom Right Panel Assembly | X | X |
| 11 | 500-192 | Left Side Assembly | X | X |
| 12 | 156-022 | Tubing Entrance Panel | X | X |
| 14 | 514-007 | Bottom Front Assembly | X | X |
| 15 | 156-021 | Water Entrance Panel | X | X |
| 16 | 116-114 | Control Panel | X | X |
| 17 | 132-006 | Control Panel Cover | X | X |
| 18 | 140-026 | Support--Water Coil Hold Down | X | X |
| 19 | 130-013 | Filter Rack Side | X | X |
| 20 | 131-011 | Filter Rack Top and Bottom Weld Assembly | X | X |
| 21 | 130-010 | Filter Rack Door | X | X |
| 22 | 130-014 | Filter Rack Side | X | X |
| 23 | 131-012 | Filter Rack Side Weld Assembly | X | X |
| 24 | 132-112 | Terminal Board Cover | X | X |

Date: 7-31-92
 Supersedes: 7-11-89

FUNCTIONAL COMPONENTS



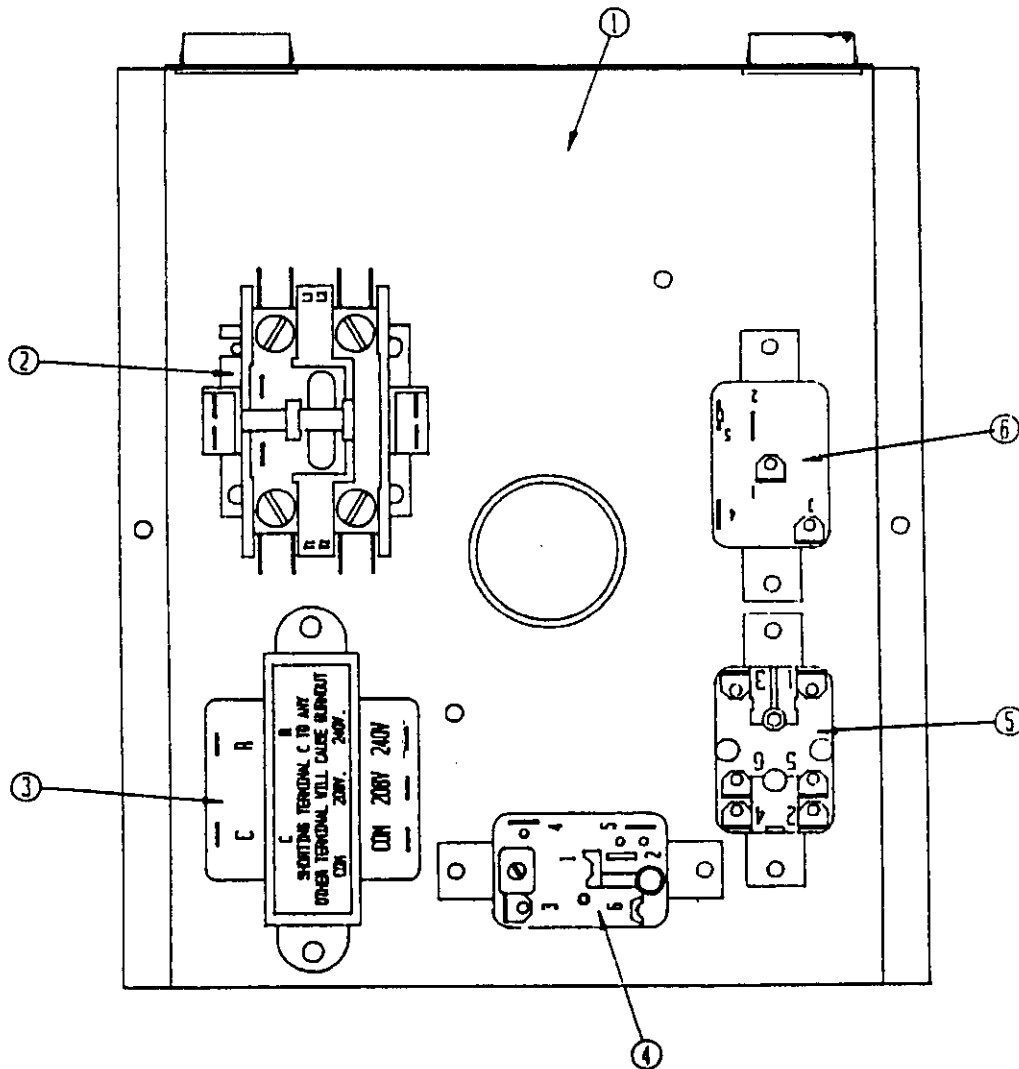
Date: 7-11-89
Supersedes:

FUNCTIONAL COMPONENTS

| Dwg. No. | Part No. | Description | WPV53B | WPV62B |
|----------------|-----------|---------------------------------------|--------|--------|
| 1 | 900-140 | Blower Assembly Complete | X | X |
| 2 | 151-070 | Blower Housing | X | X |
| 3 | 5152-010 | Blower Wheel DD10-7 | X | X |
| 4 | 144-125 | Diffuser | X | X |
| 5 | 8106-017 | Blower Motor--1/2 h.p. | X | X |
| 6 | 8552-004 | Capacitor 7-1/2 / 370V 1-1/4 Oval | X | X |
| 7 | 8200-034 | Motor Mount Arm with Gronnet | 3 | 3 |
| 8 | 8200-033 | Motor Mount Band | X | X |
| 9 | 8000-072 | Compressor AV144ET-001-A4 | X | |
| 9 | 8000-106 | Compressor AV188ET-038-A4 | | X |
| 10 | 917-0010 | Water Coil Assembly w/Insulation | X | |
| 10 | 917-0011 | Water Coil Assembly w/Insulation | | X |
| 10A | 5021-0336 | Insulation Jacket Only | X | X |
| 11 | 5060-029 | Evaporator Coil | X | X |
| 12 | 7004-018 | Filter 25x25x1 | X | X |
| 13 | 8607-019 | Terminal Block | X | X |
| 14 | 8614-001 | Square Outlet Box 4" | X | X |
| 15 | 8614-029 | Blank Cover 4" x 4" | X | X |
| 16 | 5651-056 | Full Flow Valve 1/2" | 2 | 2 |
| 17 | 8552-030 | Capacitor--Comp. 40/440V 2-1/2" round | X | |
| 17 | 8552-031 | Capacitor--Comp. 45/440V 2-1/2" round | | X |
| 18 | 5651-067 | Expansion Valve | X | |
| 18 | 5651-068 | Expansion Valve | | X |
| 19 | 5210-010 | Strainer | (2) | (2) |
| 20 | 5650-006 | Reversing Valve | X | X |
| 21 | 5650-008 | Solenoid Coil | X | X |
| 22 | 8406-045 | Low Pressure Switch | X | X |
| 23 | 8406-016 | High Pressure Switch | X | X |
| OPTIONAL ITEMS | | | | |
| | 8603-006 | Solenoid Valve 24V | X | X |
| | 8603-007 | Constant Flow Valve 6 GPM | X | |
| | 8603-008 | Constant Flow Valve 8 GPM | | X |
| | 8604-080 | Duct Heater 5KW | X | X |
| | 8604-081 | Duct Heater 9.8KW | X | X |
| | 8604-082 | Duct Heater 14.7KW | X | X |
| | 8604-083 | Duct Heater 19.2KW | X | X |

Date: 7-11-89
Supersedes:

CONTROL PANEL



Date: 7-11-89
Supersedes:

CONTROL PANEL

| Item | Part No. | Description | WPV53B | WPV62B |
|------|----------|----------------------|--------|--------|
| 1 | 116-114 | Control Panel | X | X |
| 2 | 8401-003 | Compressor Contactor | | X |
| 2 | 8401-007 | Compressor Contactor | X | |
| 3 | 8407-035 | Transformer | X | X |
| 4 | 8201-034 | Lockout Relay | X | X |
| 5 | 8201-015 | Emergency Heat Relay | X | X |
| 6 | 8201-008 | Blower Relay | X | X |

Date: 7-11-89
 Supersedes:

2110-727

