
REPLACEMENT PARTS MANUAL

TEC 20 and TEC40 ELECTRONIC CONTROLLER

General Notes

- Revised and/or additional pages may be issued from time to time.
- A complete and current manual consists of pages shown in the following contents section.

Contents

Description	Page
Functional and Cabinet Components	
• Exploded View	1
• Usage List	2

Important

- Contact the installing and/or local Bard distributor for all parts requirements. Make sure you have the complete model and serial number available from the unit rating plates.



CLIMATE CONTROL SOLUTIONS

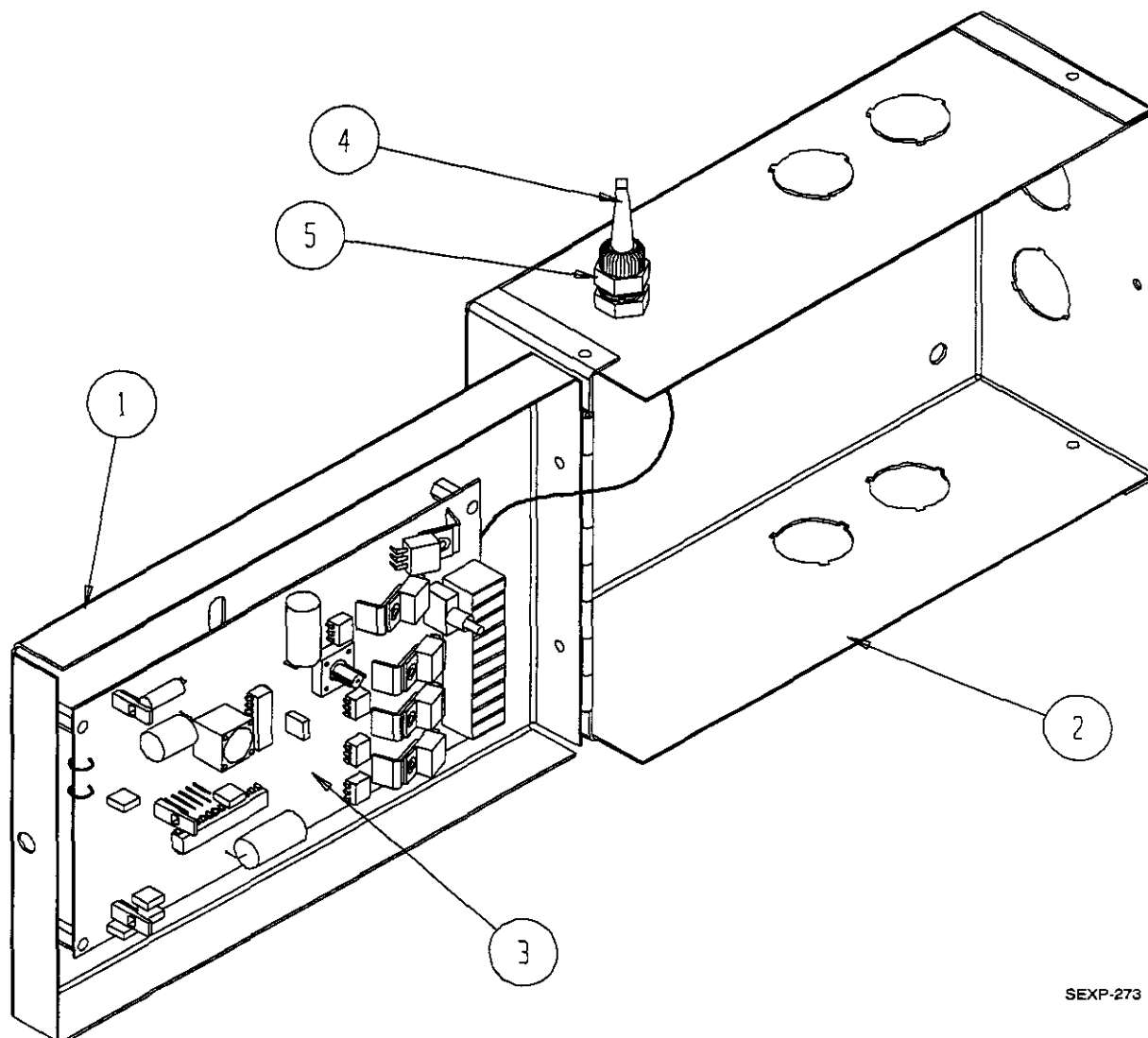
BARD MANUFACTURING COMPANY
Bryan, Ohio 43506

Since 1914...Moving, ahead just as planned.

Manual: 2110-670A
Supersedes: 2110-670
File: Tab 19
Date: 05-16-01

FUNCTIONAL and CABINET COMPONENTS

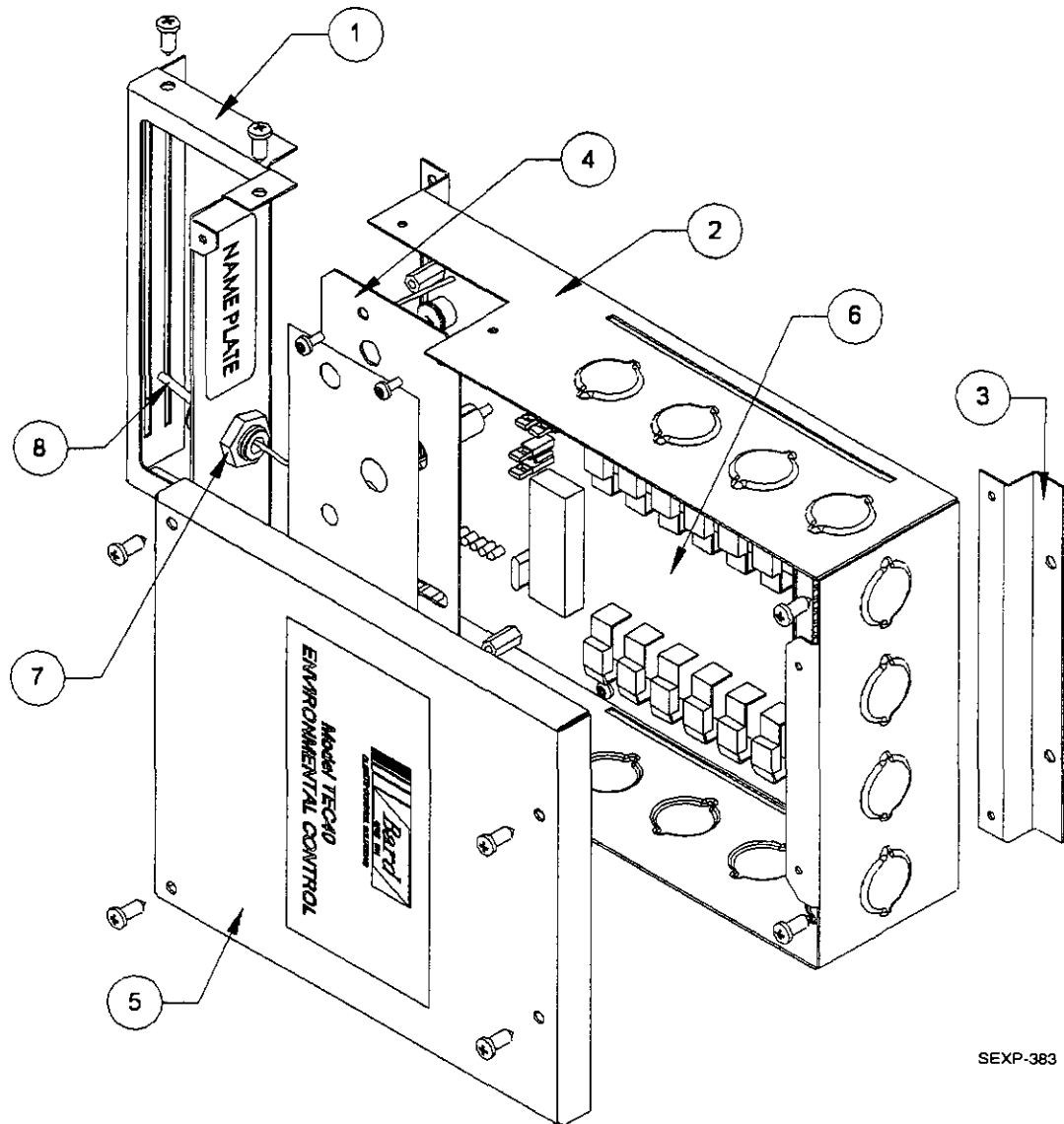
Drawing No.	Part No.	Description	TEC20
1	133-150	Top	X
2	127-280	Base	X
3	8612-017	Control	X
4	8408-035	Sensor	X
5	8611-099	Fitting	X



SEXP-273

FUNCTIONAL and CABINET COMPONENTS

Drawing No.	Part No.	Description	TEC40
1	143-078-4	Face Plate Cover	X
2	141-283-4	Base	X
3	103-448-4	Offset	X
4	116-246-4	Face Plate	X
5	153-340-4	Cover	X
6	8612-018	Control	X
7	8611-099	Fitting	X
8	8408-035	Sensor	X



SEXP-383

