
Replacement Parts Manual

Wall Mount Energy Recovery Ventilator

**Models: ERVR-A3B
ERVR-C3B**

General Notes

- Revised and/or additional pages may be issued from time to time.
- A complete and current manual consists of pages shown in the following contents section.

Important

- Contact the installing and/or local Bard distributor for all parts requirements. Make sure you have the complete model and serial number available from the unit rating plates.

Contents

Description	Page
Functional and Cabinet Components	
• Exploded View	1
• Usage List	2
Functional and Cabinet Components	
• Exploded View	3
• Usage List	4
Cassette Components	
• Exploded View	5
• Usage List	5
Control Panel	
• Exploded View	6
• Usage List	6



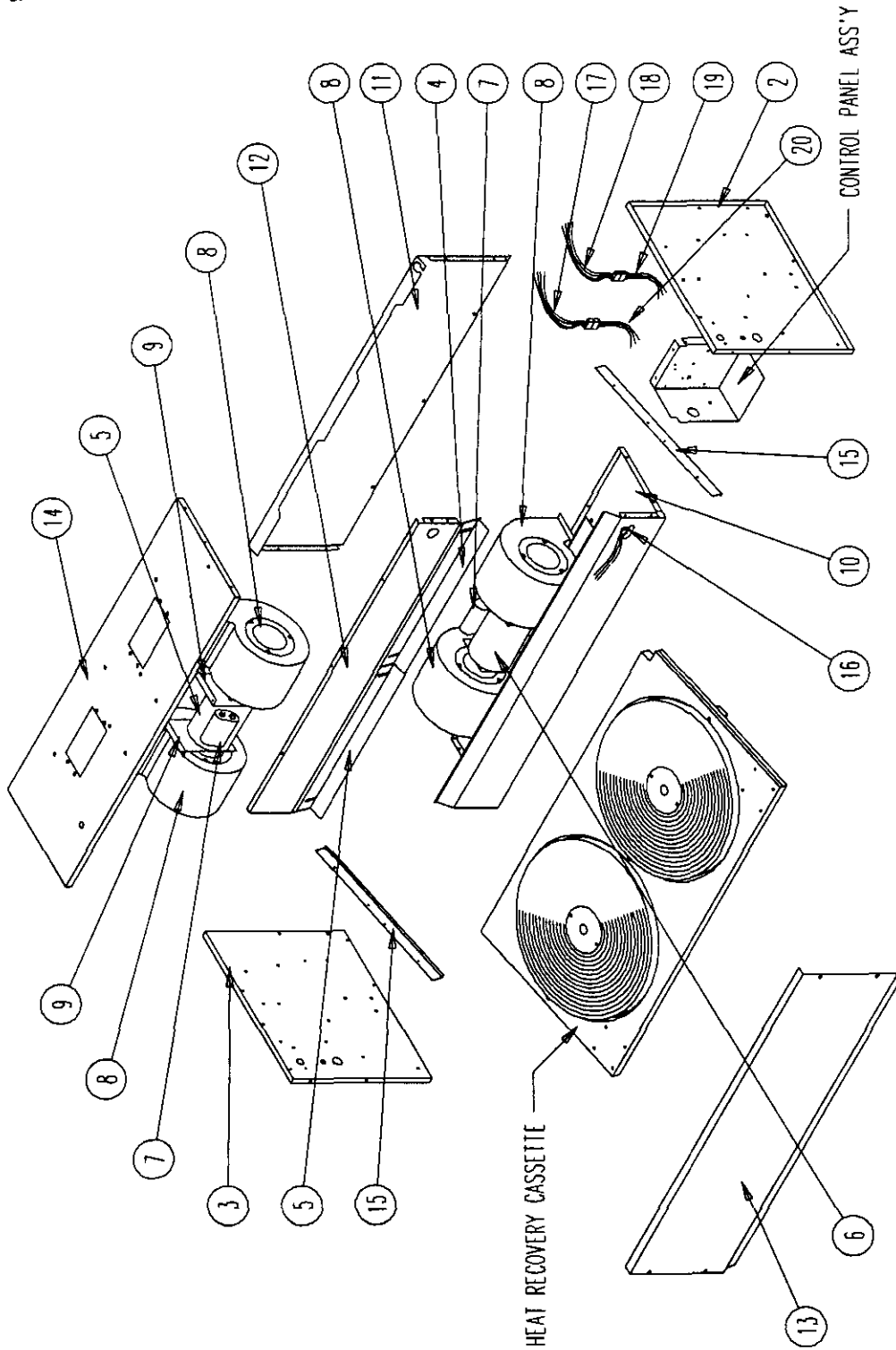
BARD MANUFACTURING COMPANY
Bryan, Ohio 43506

Since 1914...Moving, ahead just as planned.

Manual: 2110-669
Rev:
Date: 06-17-97

CABINET AND FUNCTIONAL COMPONENTS

SEXP-268

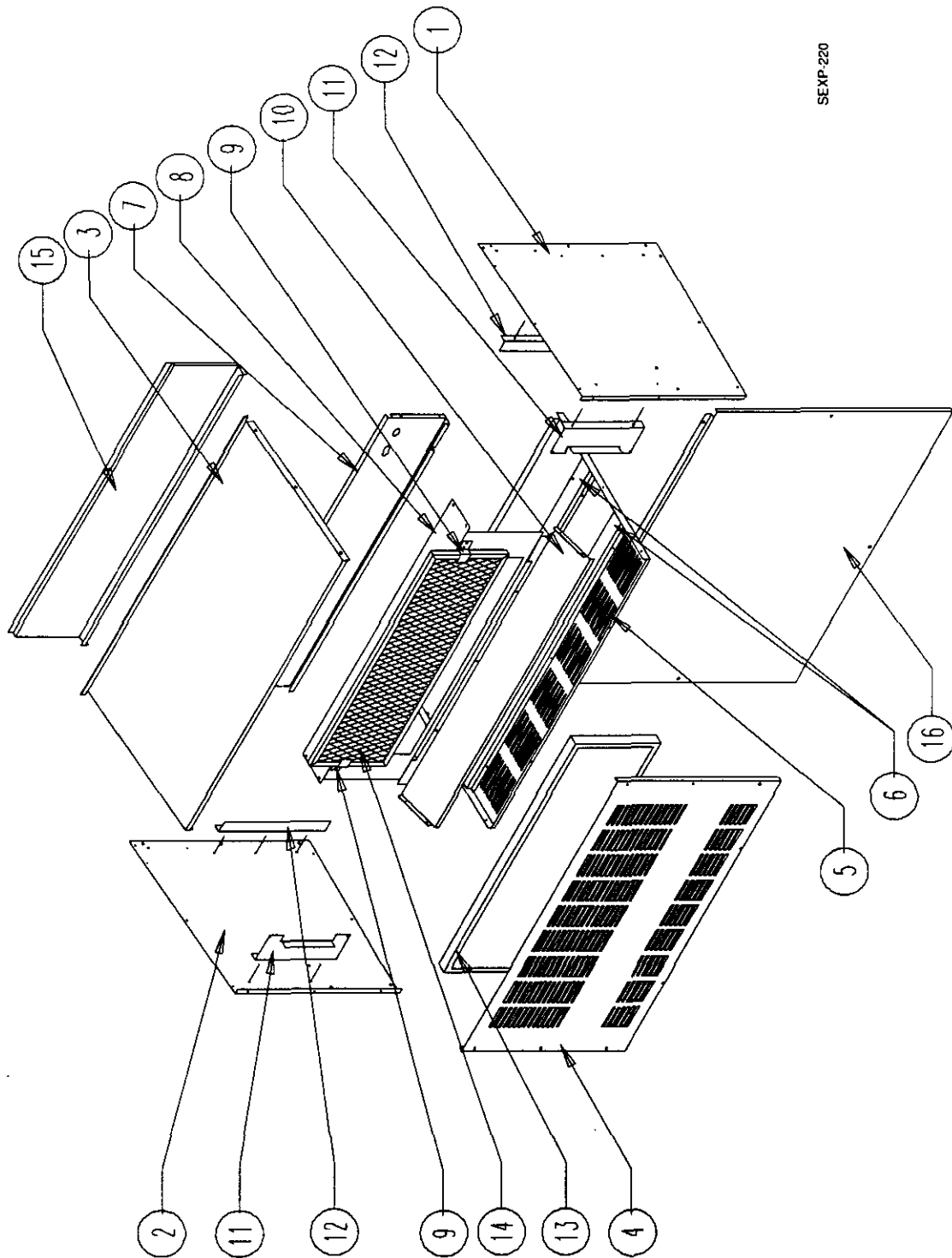


CABINET AND FUNCTIONAL COMPONENTS

Drawing No.	Part No.	Description	ERVR-A3B	ERVR-C3B
2	500X344	Right End	X	X
3	500Y344	Left End	X	X
4	105-904	Right Adjustment Angle with Seal	X	X
5	105-905	Left Adjustment Angle with Seal	X	X
6	8101-011	Blower Motor	2	
6	8101-012	Blower Motor		2
7	8552-001	Blower Motor Capacitor	X	X
8	Blower Housing and Wheel	See Blower Housing Assembly Drawing	4	4
9	129-018	Blower Motor Mount	4	4
10	520-317	Lower Partition Assembly	X	X
11	508-114	Back Assembly	X	X
12	520-242	Middle Partition Assembly	X	X
13	115-084	Front Assembly	X	X
14	506-147	Top Assembly	X	X
15	105-898	Slide Angle	X	X
16	3000-989	Wire Harness Right	X	X
17	3000-1022	Low Voltage to Unit	X	X
18	3000-1023	High Voltage to Unit	X	X
19	3000-1021	Wire Harness – High Voltage to ERVR	X	X
20	3000-1020	Wire Harness – Low Voltage to ERVR	X	X
NS	3000-1076	Wire Harness – Cassette	X	X
NS	4056-153	Wiring Diagram	X	
NS	4056-301	Wiring Diagram		X

NS Not Shown

CABINET AND FUNCTIONAL COMPONENTS



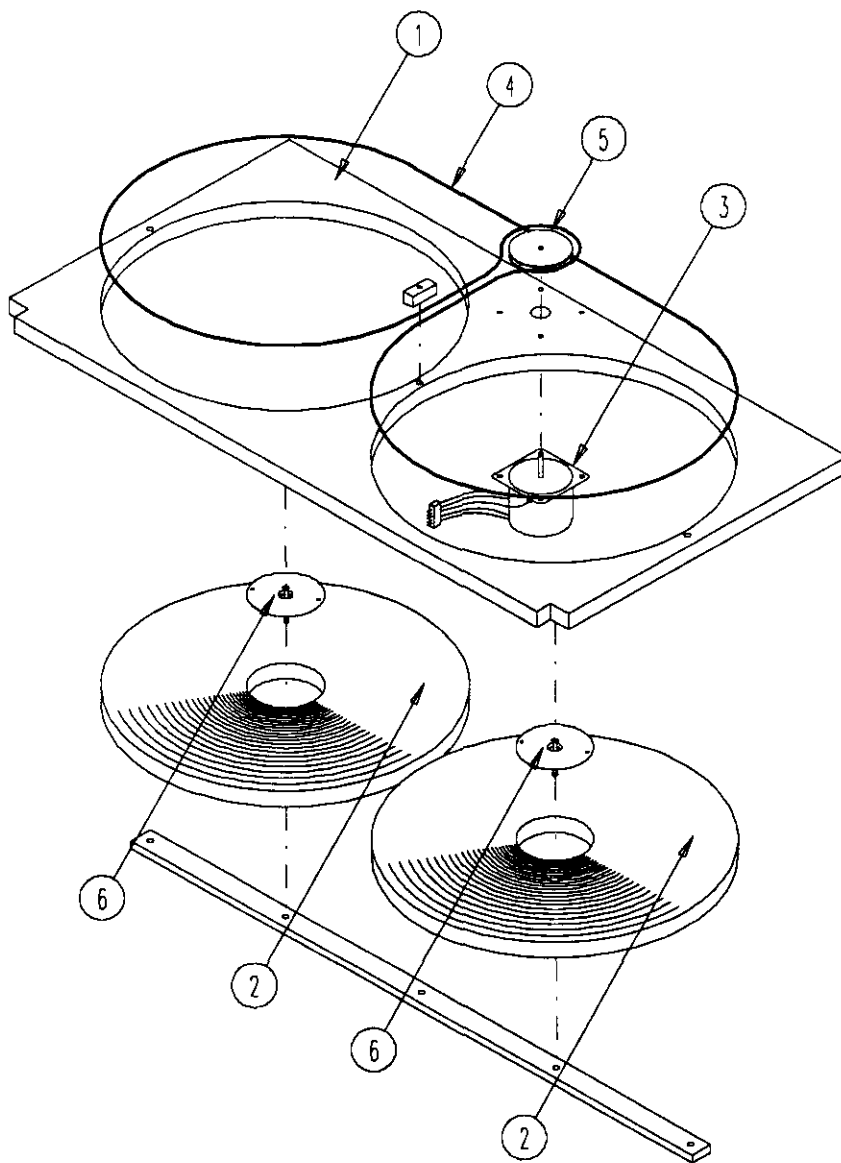
SEXP-220

CABINET AND FUNCTIONAL COMPONENTS

Drawing No.	Part No.	Description	ERVR-A3B	ERVR-C3B	
1	100X294	Right Side	X	X	
2	100Y294	Left Side	X	X	
3	106-158	Top	X	X	
4	152-242	Front	X	X	
5	126-245	Base	X	X	
6	164-548	Base Channel	2	2	
7	508-113	Back	X	X	
8	130-100	Filter Fill	X	X	
9	130-101	Bracket	2	2	
10	126-246	Partition	X	X	
11	112-207	Filter Bracket	2	2	
12	104-947	Angle	2	2	
13	7003-033	Mist Eliminator	X	X	
14	7003-036	Filter	X	X	
15	514-096	Upper Front	X	X	
16	552-243	Service Door	X	X	

CASSETTE COMPONENTS

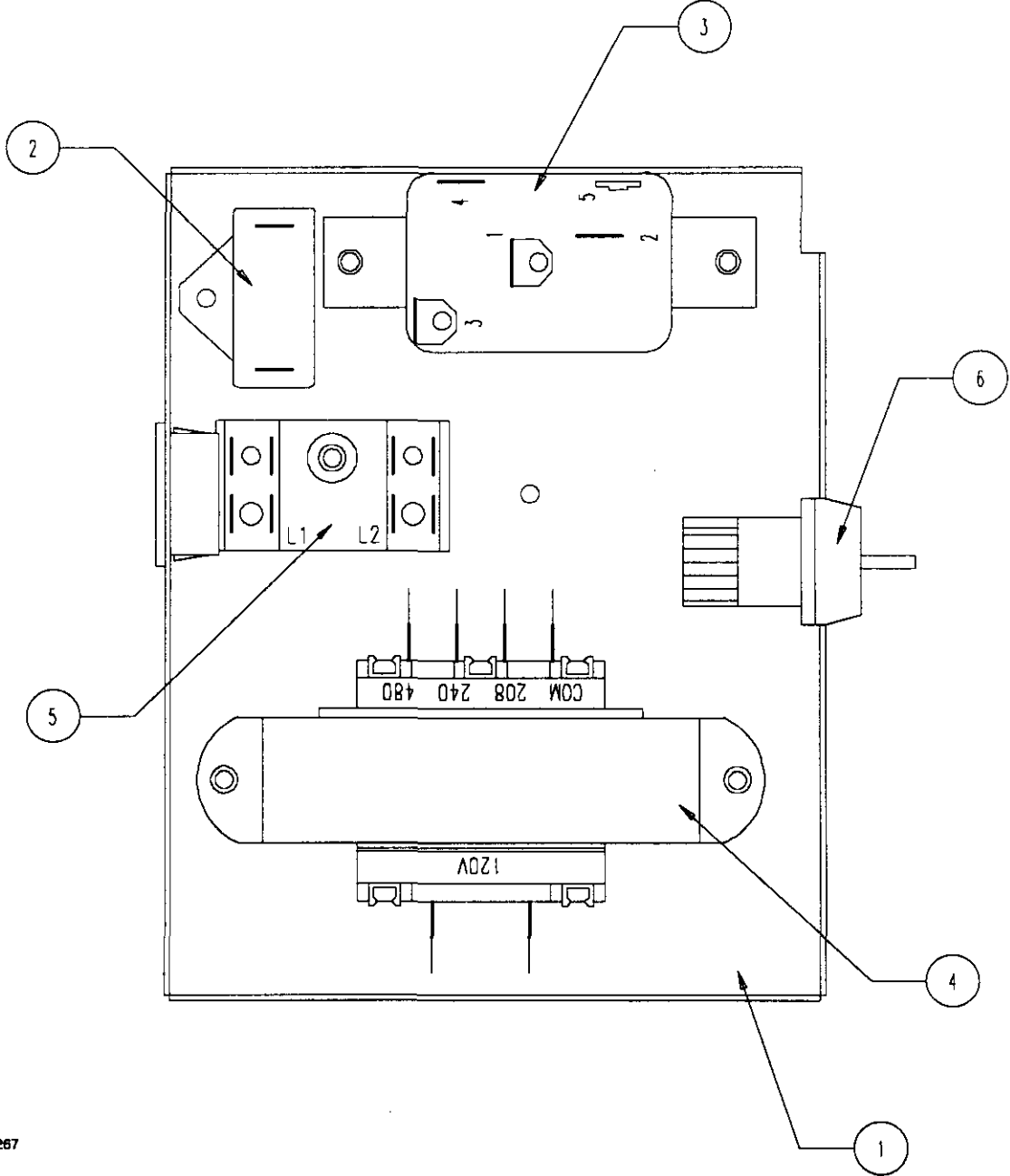
Drawing No.	Part No.	Description	ERVR-A3B	ERVR-C3B
1	5070-020	Cassette Assembly – Complete with Motors	X	X
2	5070-004	Cassette Wheel	2	2
3	8101-016	Cassette Motor	X	X
4	5070-023	Cassette Drive Belt	X	X
5	5070-025	Cassette Pulley	X	X
6	5070-007	Cassette Hardware Kit (2 wheel shafts, nuts, & washers)	X	X



SEXP-259

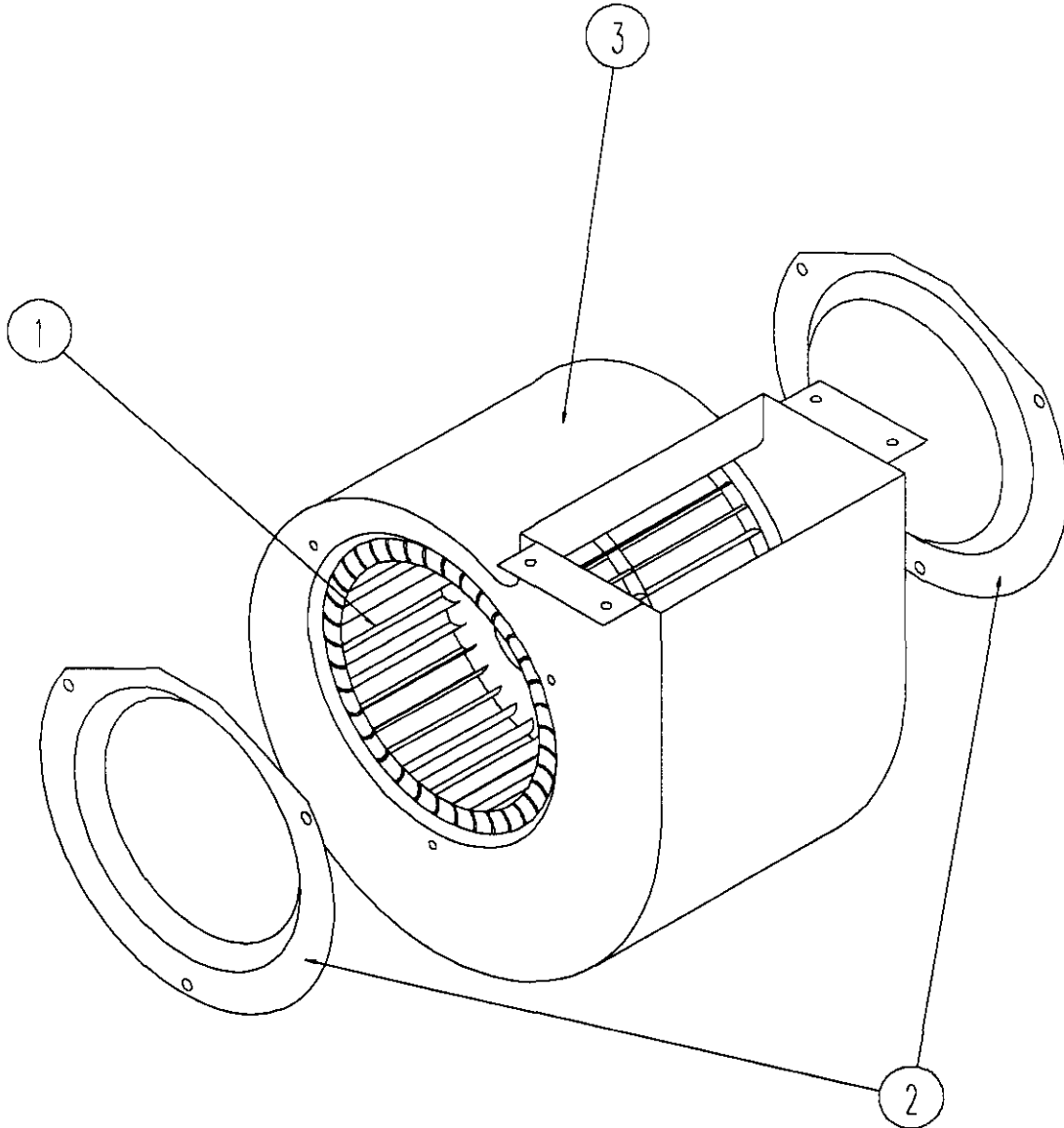
CONTROL PANEL

Drawing No.	Part No.	Description	ERVR-A3B	ERVR-C3B
1	116-201	Control Panel	X	X
2	8552-070	Cassette Motor Capacitor	X	X
3	8201-008	Blower Relay	X	
3	8201-032	Blower Relay		X
4	8407-043	Transformer	X	X
5	400-0087	Terminal Block	X	X
6	8406-084	Switch		



SEXP-267

Drawing No.	Part No.	Description	All Models
1	5152-078	Blower Wheel	X
2	5152-080	Inlet Ring	X
3	5152-079	Blower Housing	X



SEXP-218