

# REPLACEMENT PARTS MANUAL

## WALL MOUNT ENERGY RECOVERY VENTILATOR

MODELS: ERVR-A3A

Manual 2110-661      Revision      Date 07-28-94      Supersedes

\*\*\*\*\*  
\* GENERAL NOTES \*  
\*\*\*\*\*

\*Revised and/or additional pages may be issued from time to time.  
\*A complete and current manual consists of pages dated as shown in the following index.

\*\*\*\*\*  
\*\* INDEX \*\*  
\*\*\*\*\*

<u>Page Description</u>	<u>Page</u>	<u>Date</u>	<u>Supersedes</u>
Functional & Cabinet Components--Exploded View	1	07-28-94	
" " " " --Usage List	2	07-28-94	
Functional & Cabinet Components--Exploded View	3	07-28-94	
" " " " --Usage List	4	07-28-94	
Cassette Components--Exploded View, Usage List	5	07-28-94	
Control Panel--Usage List and Exploded View	6	07-28-94	
Blower Assembly--Usage List and Exploded View	7	07-28-94	

\*\*\*\*\*  
\*\*\* IMPORTANT \*\*\*  
\*\*\*\*\*

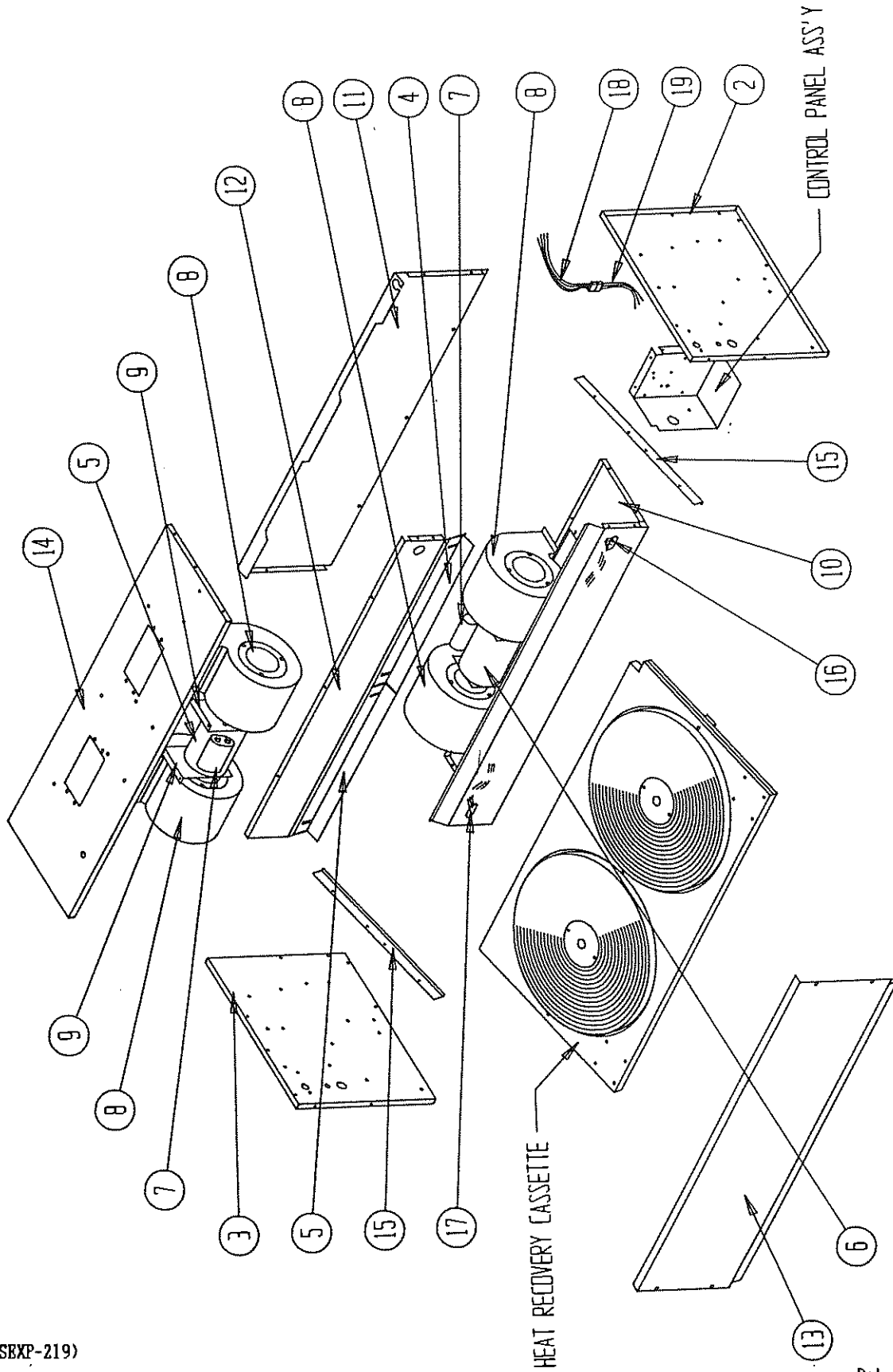
Contact the installing and/or local Bard distributor for all parts requirements. Make sure you have the complete model and serial number available from the unit rating plate.

BARD MANUFACTURING COMPANY

BRYAN, OHIO 43506

PATENT PENDING

FUNCTIONAL AND CABINET COMPONENTS



(SEXP-219)

Date: 07-28-94  
Supersedes:

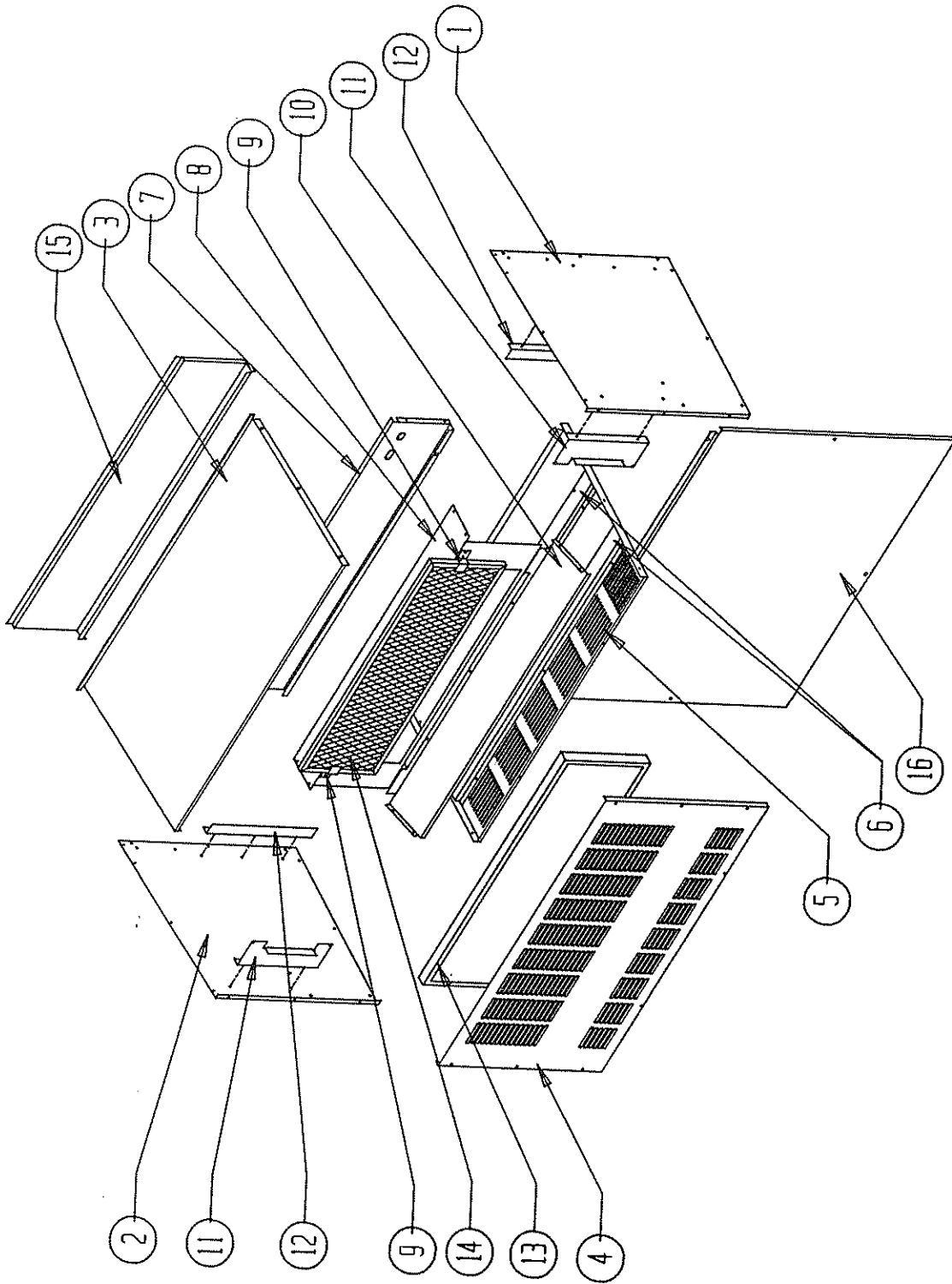
2110-661  
Page: 1

FUNCTIONAL AND CABINET COMPONENTS

Dwg. No.	Part No.	Description	ERVR-A3A
2	500X285	Right End	X
3	500Y285	Left End	X
4	105-904	Right Adjustment Angle with Seal	X
5	105-905	Left Adjustment Angle with Seal	X
6	8101-011	Blower Motor	2
7	8552-001	Blower Motor Capacitor	2
8	Blower Housing & Wheel	See Blower Housing Assembly Drawing	4
9	129-018	Blower Motor Mount	4
10	520-279	Lower Partition Assembly	X
11	508-114	Back Assembly	X
12	520-242	Middle Partition Assembly	X
13	115-084	Front Assembly	X
14	506-147	Top Assembly	X
15	105-898	Slide Angle	2
16	3000-989	Wire Harness -- Right	X
17	3000-990	Wire Harness -- Left	X
18	3000-991	Wire Harness -- Unit	X
19	3000-1021	Wire Harness -- WERV	X
	4056-140	Wiring Diagram	X

Date: 07-28-94  
Supersedes:

FUNCTIONAL AND CABINET COMPONENTS



(SEXP-220)

Date: 07-28-94  
Supersedes:

2110-661  
Page: 3

FUNCTIONAL AND CABINET COMPONENTS

Dwg. No.	Part No.	Description	ERVR-A3A
1	100X294	Right Side	1
2	100Y294	Left Side	1
3	106-158	Top	1
4	152-242	Front	1
5	126-245	Base	1
6	164-548	Base Channel	2
7	508-113	Back	1
8	130-100	Filter Fill	1
9	130-101	Bracket	2
10	126-246	Partition	1
11	112-207	Filter Bracket	2
12	104-947	Angle	2
13	7003-033	Mist Eliminator	1
14	7003-036	Filter	1
15	514-096	Upper Front	1
16	552-243	Service Door	1

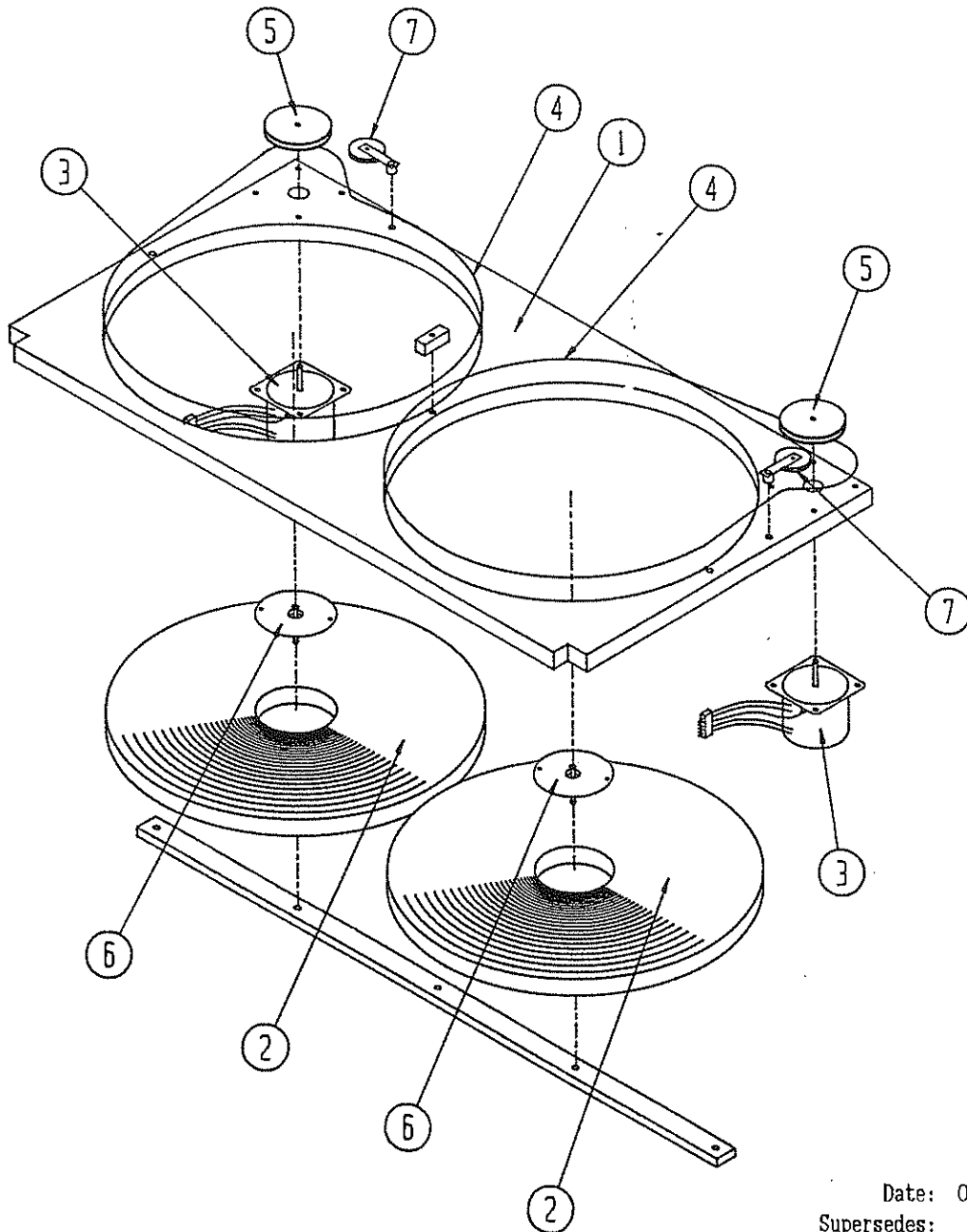
NS - Not Shown

Date: 07-28-94  
Supersedes:

2110-661  
Page: 4

CASSETTE COMPONENTS

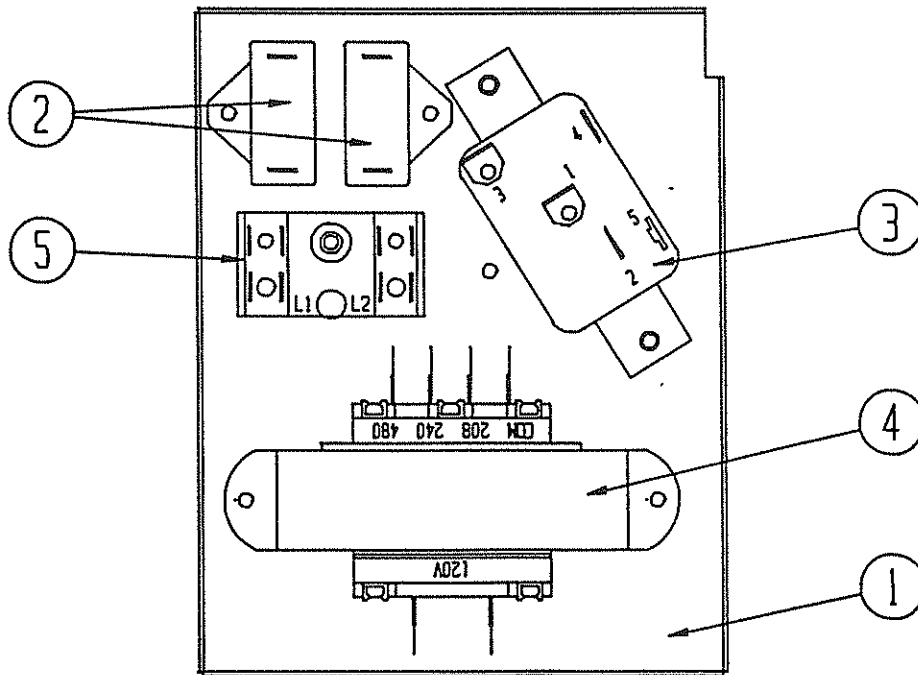
Dwg. No.	Part No.	Description	BRVR-A3A
1	5070-001	Cassette Assembly--Complete with Motors	x
2	5070-004	Cassette Wheel	2
3	5070-003	Cassette Motor	2
4	5070-005	Cassette Drive Belt	2
5	5070-006	Cassette Pulley	2
6	5070-007	Cassette Hardware Kit (2 wheel shafts, nuts, washers)	x



Date: 07-28-94  
 Supersedes:

CONTROL PANEL

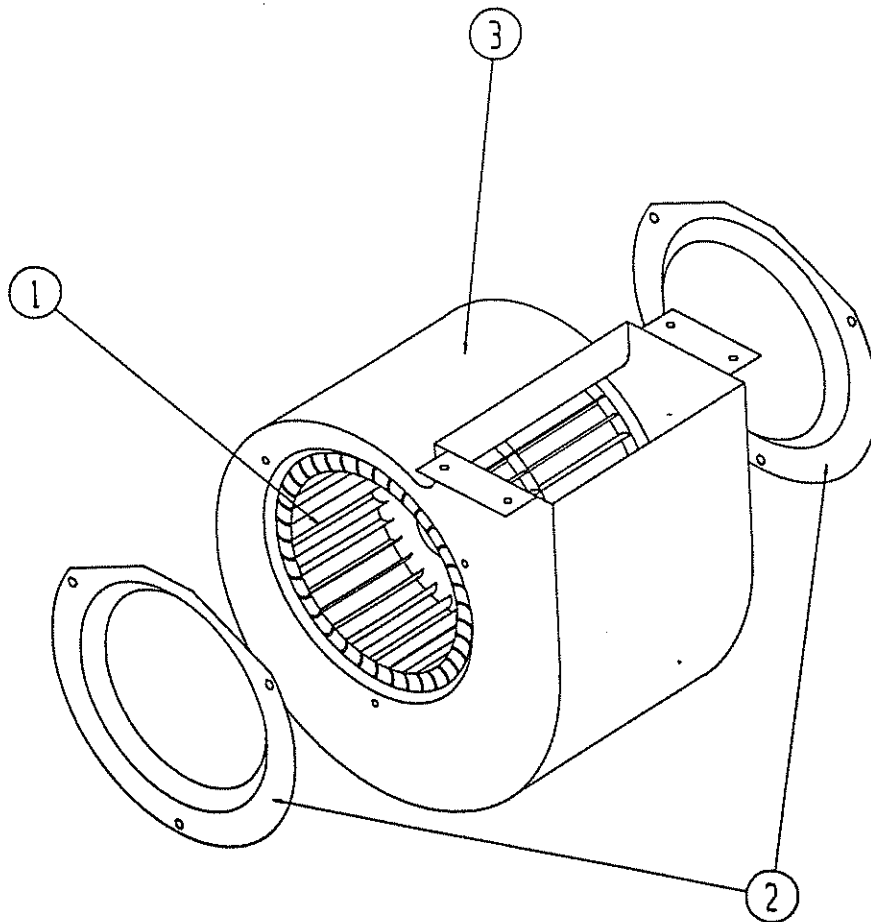
Dwg. No.	Part No.	Description	ERVR-A3A
1	116-153	Control Panel	X
2	8552-060	Cassette Motor Capacitor	2
3	8201-008	Blower Relay	X
4	8407-043	Transformer	X
5	400-0087	Terminal Block	X



Date: 07-28-94  
 Supersedes:

BLOWER ASSEMBLY

Dwg. No.	Part No.	Description	All Models
1	5152-078	Blower Wheel	x
2	5152-080	Inlet Ring	x
3	5152-079	Blower Housing	x



(SEXP-218)

Date: 05-29-94  
Supersedes:

2110-661  
Page: 7