

REPLACEMENT PARTS MANUAL

Wall Mount Heater Package

Models:

EHW3SC-A05	EHWA60C-B15	EHWA60C-B18	EHWA72CD-A15
EHW3SC-A10	EHWA48C-B18	EHWA42C-C09	EHWA72CD-B06
EHW3SC-A15	EHWA42C-C05	EHWA42C-C15	EHWA42CD-B09
EHW3SC-A20	EHWA60C-C09	EHWA42C-F07	EHWA60CD-B15
EHW3SC-B06	EHWA60C-C15	EHWA42C-F12	EHWA48CD-B18
EHW3SC-B09	EHWA42C-E09	EHWA48C-A05	EHWA42CD-C09
EHW3SC-B15	EHWA42C-E15	EHWA42C-A10	EHWA60CD-A05
EHW3SC-C06	EHWA60C-F07	EHWA60C-A15	EHWA60CD-A10
EHW3SC-C09	EHWA60C-F12	EHWA42C-B06	EHWA42CD-A15
EHW3SC-C15	EHWA72C-A05	EHWA42C-B09	EHWA72CD-B09
EHWA42C-A05	EHWA72C-A10	EHWA42C-B15	EHWA42CD-B18
EHWA60C-A10	EHWA42C-A15	EHWA42C-B18	EHWA48CD-A05
EHWA72C-A15	EHWA42C-A20	EHWA48C-C09	EHWA48CD-A10
EHWA60C-A20	EHWA72C-B06	EHWA72C-C15	EHWA48CD-B09
EHWA42C-B05	EHWA72C-B09	EHWA72CD-A05	EHWA42CD-A05
EHWA60C-B06	EHWA48C-B15	EHWA42CD-A10	EHWA60CD-B09
EHWA60C-B09			

Contents

Description	Page
Air Conditioner Heater Packages	
♦ Layout View.....	2
♦ Usage List.....	3
♦ Usage List.....	4
♦ Usage List.....	5

General Notes

- Revised and/or additional pages may be issued from time to time.
- A complete and current manual consists of pages shown in the following contents section.

Important

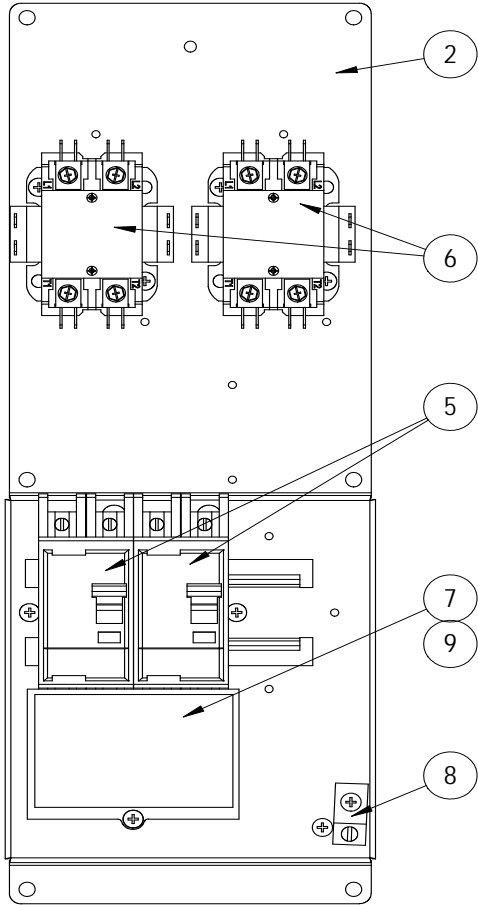
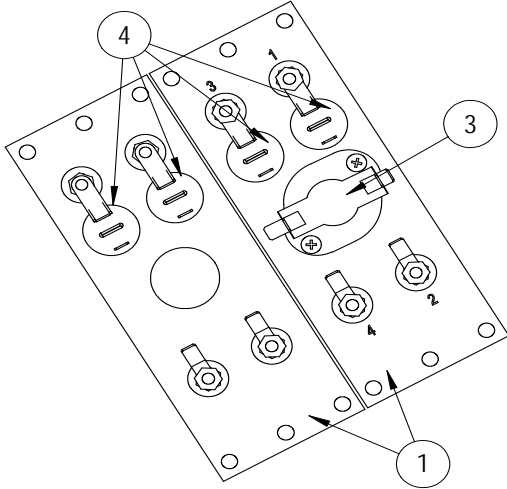
- Contact the installing and/or local Bard distributor for all parts requirements. Make sure to have the complete model and serial number available from the unit rating plates.



Bard Manufacturing Company, Inc.
Bryan, Ohio 43506
www.bardhvac.com

Manual: 2110-628C
Supersedes: 2110-628B
Date: 2-3-21

AIR CONDITIONER HEATER PACKAGES



SEXP-1008

AIR CONDITIONER HEATER PACKAGES

Dwg. No.	Part No.	Description	EHW3SC-A05	EHW3SC-A10	EHW3SC-A15	EHW3SC-A20	EHW3SC-B06	EHW3SC-B09	EHW3SC-B15	EHW3SC-C06	EHW3SC-C09	EHW3SC-C15	EHWA42C-A05	EHWA60C-A10	EHWA72C-A15	EHWA60C-A20	EHWA42C-B05	EHWA60C-B06	EHWA60C-B09	EHWA60C-B15	EHWA48C-B18	EHWA42C-C05	EHWA60C-C09	EHWA60C-C15
1	8604-048	Heat Strip 9KW 240V 3 TERM L					X	X										X	X	X				
1	8604-049	Heat Strip 6KW 240V 3 TERM L	X					X	X				X	X	X			X	X	X				
1	8604-089	Heat Strip 5KW 240V 2 TERM L											X	X	X									
1	8604-091	Heat Strip 10KW 240V 4 TERM L											X	X	X									
1	8604-100	Heat Strip 6 KW 480V 3 TERM							X		X												X	
1	8604-101	Heat Strip 9 KW 480V 3 TERM								X	X												X	X
1	8604-116	Heat Strip 10 KW 240V 2 TERM		X	X	2																		
1	8604-118	Heat Strip 5 KW 240V 2 TERM L			X																			
1	8604-146	Heat Strip 5 KW 240V 3 TERM L															X							
1	8604-155	Heat Strip 3 KW 480V 3 PH																			X			
2	127-575	Heater Control Base	X	X	X	X	X	X	X				X	X	X	X	X	X	X	X	X			
2	127-585	Heater Control Base							X	X	X										X	X	X	
3	8402-028	Limit Control	X															X						
3	8402-033	Limit Control					X		X															
3	8402-074	Limit Control											X						X					
3	8402-075	Limit Control														X				X				
3	8402-118	Limit Control						X		X			X							X				
3	8402-119	Limit Control		X																	X	X		
3	8402-128	Limit Control							2												X	X		X
3	8402-138	Limit Control		X	X	4				2		4												X
3	8402-141	Limit Control							X			X												X
3	8402-193	Limit Control			X	X																		
4	8402-091	Thermal Cutoff																			4			
4	8402-092	Thermal Cutoff					2								3									
4	8402-093	Thermal Cutoff											X	2		4	2		2	2	4			
4	8402-114	Thermal Cutoff	X					2	4															
5	S8615-095	Toggle Disconnect								X	X	X										X	X	X
5	8615-037	Circuit Breaker 30A 2-POLE			X										X									
5	8615-038	Circuit Breaker 35A 2-POLE	X																					
5	8615-040	Circuit Breaker 50A 2-POLE											X											
5	8615-041	Circuit Breaker 60A 2-POLE		X	X	2							X	X	X									
5	8615-042	Circuit Breaker 35A 3-POLE						X									X							
5	8615-043	Circuit Breaker 40A 3-POLE							X									X	X					
5	8615-046	Circuit Breaker 60A 3-POLE							X										X	X				
5	8615-051	Circuit Breaker 25A 3-POLE				X														X				
5	8615-052	Circuit Breaker 30A 3-POLE																		X				
6	S8401-002	Heat Contactor 3-Pole	X				X	X	2	X	X	2									X	X	X	X
6	S8401-006	Heat Contactor 2-Pole		X	X	2								X	X	X								
6	8401-025	Heat Contactor 2-Pole											X	X	X									
6	8401-033	Heat Contactor 2-Pole											X											
7	8615-047	Jumper Bar			X	X									X	X								
8	8611-006	Terminal	X	X	X	X	X	X	X	X	X	X	X	X	X	X	X	X	X	X	X	X	X	X
9	8615-049	Jumper Bar Cover			X	X								X	X									
NS	8615-061	Cover Plate 3 PH							X								X			X				
NS	8615-096	Switch Cover Plate								X	X	X									X	X	X	
NS	4097-1008	Wiring Diagram				X										X								
NS	4097-1009	Wiring Diagram			X										X									
NS	4097-1010	Wiring Diagram		X										X										
NS	4097-1011	Wiring Diagram	X										X											
NS	4097-254	Wiring Diagram							X															
NS	4097-255	Wiring Diagram					X	X									X	X	X					
NS	4097-256	Wiring Diagram																			X			
NS	4097-344	Wiring Diagram								X	X											X	X	
NS	4097-345	Wiring Diagram										X												X

NS – Not Shown

AIR CONDITIONER HEATER PACKAGES

Dwg. No.	Part No.	Description	EHWA42C-E09	EHWA42C-E15	EHWA60C-F07	EHWA60C-F12	EHWA72C-A05	EHWA72C-A10	EHWA42C-A15	EHWA42C-A20	EHWA72C-B06	EHWA72C-B09	EHWA48C-B15	EHWA60C-B18	EHWA42C-C09	EHWA42C-C15	EHWA42C-F07	EHWA42C-F12	EHWA48C-A05	EHWA42C-A10	EHWA60C-A15	EHWA42C-B06	EHWA42C-B09	EHWA42C-B15	
1	8604-048	Heat Strip 9KW 240V 3 TERM L	X	X							X	X	X										X	X	
1	8604-049	Heat Strip 6KW 240V 3 TERM L	X	X						X		X							X					X	
1	8604-089	Heat Strip 5KW 240V 2 TERM L					X		X										X					X	
1	8604-091	Heat Strip 10KW 240V 4 TERM L					X	X	X										X	X				X	
1	8604-100	Heat Strip 6 KW 480V 3 TERM				X									X	X		X							
1	8604-101	Heat Strip 9 KW 480V 3 TERM			X	X								X	X	X	X								
2	127-575	Heater Control Base	X	X			X	X	X	X	X	X	X	X					X	X	X	X	X	X	
2	127-585	Heater Control Base			X	X									X	X	X	X							
3	8402-028	Limit Control									X				X		X							X	
3	8402-049	Limit Control		X																X				X	
3	8402-074	Limit Control	X				X					X								X			X		
3	8402-075	Limit Control					X	X	X				X												
3	8402-118	Limit Control				X													X						
3	8402-119	Limit Control			X													X							
3	8402-128	Limit Control			X	X									X		X								
3	8402-138	Limit Control															X	X							
3	8402-141	Limit Control				X									X	X		X			X				
3	8402-181	Limit Control										X													
4	8402-091	Thermal Cutoff																1							
4	8402-092	Thermal Cutoff	2								2	2		4									2		
4	8402-093	Thermal Cutoff					2	2	3	4											3				
4	8402-114	Thermal Cutoff		4									4							2		2		4	
5	S8615-095	Toggle Disconnect			X	X									X	X	X	X							
5	8615-037	Circuit Breaker 30A 2-POLE					X	X											X		X				
5	8615-040	Circuit Breaker 50A 2-POLE					X	X	X	X										X	X				
5	8615-041	Circuit Breaker 60A 2-POLE				X	X	X	X											X	X				
5	8615-042	Circuit Breaker 35A 3-POLE												X							X	X			
5	8615-043	Circuit Breaker 40A 3-POLE											X												
5	8615-045	Circuit Breaker 50A 3-POLE		X						X	X														
5	8615-046	Circuit Breaker 60A 3-POLE										X												X	
5	8615-052	Circuit Breaker 30A 3-POLE	X										X												
6	S8401-002	Heat Contactor 3-Pole	X	X	X	X					X	X	X	X	X	X	X	X						X	
6	S8401-006	Heat Contactor 2-Pole				X	X	X												X	X				
6	8401-025	Heat Contactor 2-Pole					X	X												X	X				
6	8401-033	Heat Contactor 2-Pole																X							
7	8615-047	Jumper Bar					X	X	X												X				
8	8611-006	Terminal	X	X	X	X	X	X	X	X	X	X	X	X	X	X	X	X	X	X	X	X	X	X	X
8	8607-013	Terminal Block 2 TERM 240V			X	X																			
9	8615-049	Jumper Bar Cover					X	X	X												X				
NS	8615-061	Cover Plate 3 PH		X							X	X	X										X	X	X
NS	8615-096	Switch Cover Plate			X	X								X	X	X	X								
NS	112-767	Terminal Block Bracket			X	X											X	X							
NS	113-767	Terminal Block Bracket			X	X											X	X							
NS	4097-1008	Wiring Diagram							X																
NS	4097-1009	Wiring Diagram						X																	
NS	4097-1010	Wiring Diagram																							
NS	4097-1011	Wiring Diagram				X												X							
NS	4097-1014	Wiring Diagram					X																		
NS	4097-254	Wiring Diagram		X								X												X	
NS	4097-255	Wiring Diagram	X							X	X											X	X		
NS	4097-256	Wiring Diagram											X												
NS	4097-344	Wiring Diagram			X									X			X								
NS	4097-345	Wiring Diagram				X									X		X	X							

NS - Not Shown

AIR CONDITIONER HEATER PACKAGES

Dwg. No.	Part No.	Description	EHWA42C-B18	EHWA48C-C09	EHWA72C-C15	EHWA72CD-A05	EHWA42CD-A10	EHWA72CD-A15	EHWA72CD-B06	EHWA42CD-B09	EHWA60CD-B15	EHWA48CD-B18	EHWA42CD-C09	EHWA60CD-A05	EHWA60CD-A10	EHWA42CD-A15	EHWA72CD-B09	EHWA42CD-B18	EHWA48CD-A05	EHWA48CD-A10	EHWA48CD-B09	EHWA42CD-A05	EHWA60CD-B09
1	8604-048	Heat Strip 9KW 240V 3 TERM L	X						X		X						X	X					
1	8604-089	Heat Strip 5KW 240V 2 TERM L				X	X							X	X				X				
1	8604-091	Heat Strip 10KW 240V 4 TERM L					X								X	X				X			
1	8604-100	Heat Strip 6 KW 480V 3 TERM			X																		
1	8604-101	Heat Strip 9KW 240V 3 TERM L		X	X								X										
1	8604-121	Heat Strip 9 KW 480V 3 TERM									X												
1	8604-126	Heat Strip 6 KW 240V 3 TERM L						X			X												
1	8604-129	Heat Strip 10 KW 240V 4 TERM					X																
2	127-575	Heater Control Base	X			X	X	X	X	X	X	X	X	X	X	X	X	X	X	X	X	X	X
2	127-585	Heater Control Base		X	X							X											
3	8402-028	Limit Control		X																			
3	8402-049	Limit Control																					
3	8402-065	Limit Control												X									
3	8402-074	Limit Control							X										X	X			
3	8402-075	Limit Control	X								X						X						
3	8402-082	Limit Control						X															
3	8402-095	Limit Control				X	X	X															
3	8402-118	Limit Control				X									X				X				
3	8402-119	Limit Control					X															X	
3	8402-128	Limit Control			X						X												
3	8402-138	Limit Control		X									X										
3	8402-141	Limit Control											X		X								
3	8402-193	Limit Control			X		X					X				X							X
3	8402-194	Limit Control								X													
4	8402-019	Thermal Cutoff				2							1										
4	8402-091	Thermal Cutoff					3										2						
4	8402-092	Thermal Cutoff	4						2			4											
4	8402-093	Thermal Cutoff												2	3				1	2	2	1	
4	8402-114	Thermal Cutoff														4							2
5	S8615-095	Toggle Disconnect		X	X								X										
5	8615-037	Circuit Breaker 30A 2-POLE					X	X							X								
5	8615-040	Circuit Breaker 50A 2-POLE												X		X							
5	8615-041	Circuit Breaker 60A 2-POLE				X	X	X							X	X			X			X	
5	8615-042	Circuit Breaker 35A 3-POLE							X												X		
5	8615-043	Circuit Breaker 40A 3-POLE								X													X
5	8615-045	Circuit Breaker 50A 3-POLE						X									X						
5	8615-046	Circuit Breaker 60A 3-POLE	X							X	X							X					
6	S8401-002	Heat Contactor 3-Pole	X	X	X			X	X	X	X	X	X				X	X			X		X
6	S8401-006	Heat Contactor 2-Pole				X	X	X							X	X							
6	8401-025	Heat Contactor 2-Pole					X	X							X	X				X			
6	8401-033	Heat Contactor 2-Pole											X					X			X		
7	8615-047	Jumper Bar					X	X								X							
8	8611-006	Terminal	X	X	X	X	X	X	X	X	X	X	X	X	X	X	X	X	X	X	X	X	X
9	8615-049	Jumper Bar Cover					X	X							X								
NS	8615-061	Cover Plate 3 PH	X						X	X	X							X			X		
NS	8615-096	Switch Cover Plate		X	X							X											
NS	112-767	Terminal Block Bracket								X	X									X	X		
NS	113-767	Terminal Block Bracket								X	X									X	X		
NS	4097-1009	Wiring Diagram					X								X								
NS	4097-1010	Wiring Diagram												X						X			
NS	4097-1011	Wiring Diagram				X													X				
NS	4097-1014	Wiring Diagram					X							X								X	
NS	4097-254	Wiring Diagram	X							X	X							X					
NS	4097-255	Wiring Diagram						X	X								X						
NS	4097-344	Wiring Diagram		X								X									X		X
NS	4097-345	Wiring Diagram			X								X										