

REPLACEMENT PARTS MANUAL

WALL MOUNT HEATER PACKAGES

EHS03A-A05	EHS03A-A08	EHS03A-A10	EHS03A-15	
EHS03A-B06	EHS03A-B09	EHS03A-B15		
EHS03A-C06	EHS03A-C09	EHS03A-C15		
EHS04A-A05	EHS04A-A08	EHS04A-A15		
EHS04A-B09	EHS04A-B15			
EHS04A-C06	EHS04A-C09	EHS04A-C15		
EHS05A-A05	EHS05A-A10	EHS05A-A15		
EHS03H-A04	EHS03H-A08	EHS03H-B06	EHS03H-C06	
EHS03H-A05	EHS03H-A08	EHS03H-A10	EHS03H-A15	
EHS03H-B09	EHS03H-B15			
EHS03H-C09	EHS03H-C15			
EHS04H-A04	EHS04H-A05	EHS04H-A08	EHS04H-A10	EHS04H-A15
EHS05H-A05	EHS05H-A10	EHS05H-A15	EHS05H-A20	
EHS05H-B06	EHS05H-B09	EHS05H-B15		
EHS05H-C06	EHS05H-C09	EHS05H-C15		
EHT02H-B06				
EHT03H-A04	EHT03H-AF8	EHT03H-AS8		
EHT03H-B06	EHT03H-B09			
EHT03H-C06	EHT03H-C09			
EHT05H-A08	EHT05H-A10	EHT05H-A15		
EHT05H-B06	EHT05H-B09			

General Notes

- Revised and/or additional pages may be issued from time to time.
- A complete and current manual consists of pages shown in the following contents section.

Important

- Contact the installing and/or local Bard distributor for all parts requirements. Make sure you have the complete model and serial number available from the unit rating plates.

Contents

<i>Description</i>	<i>Page</i>
Heater Packages / Heat Pump	
◆ Exploded View	2
◆ Usage List	3
◆ Usage List	4
◆ Blank Page	5
Heater Packages / Air Conditioner	
◆ Exploded View	6
◆ Usage List	7
◆ Usage List	8

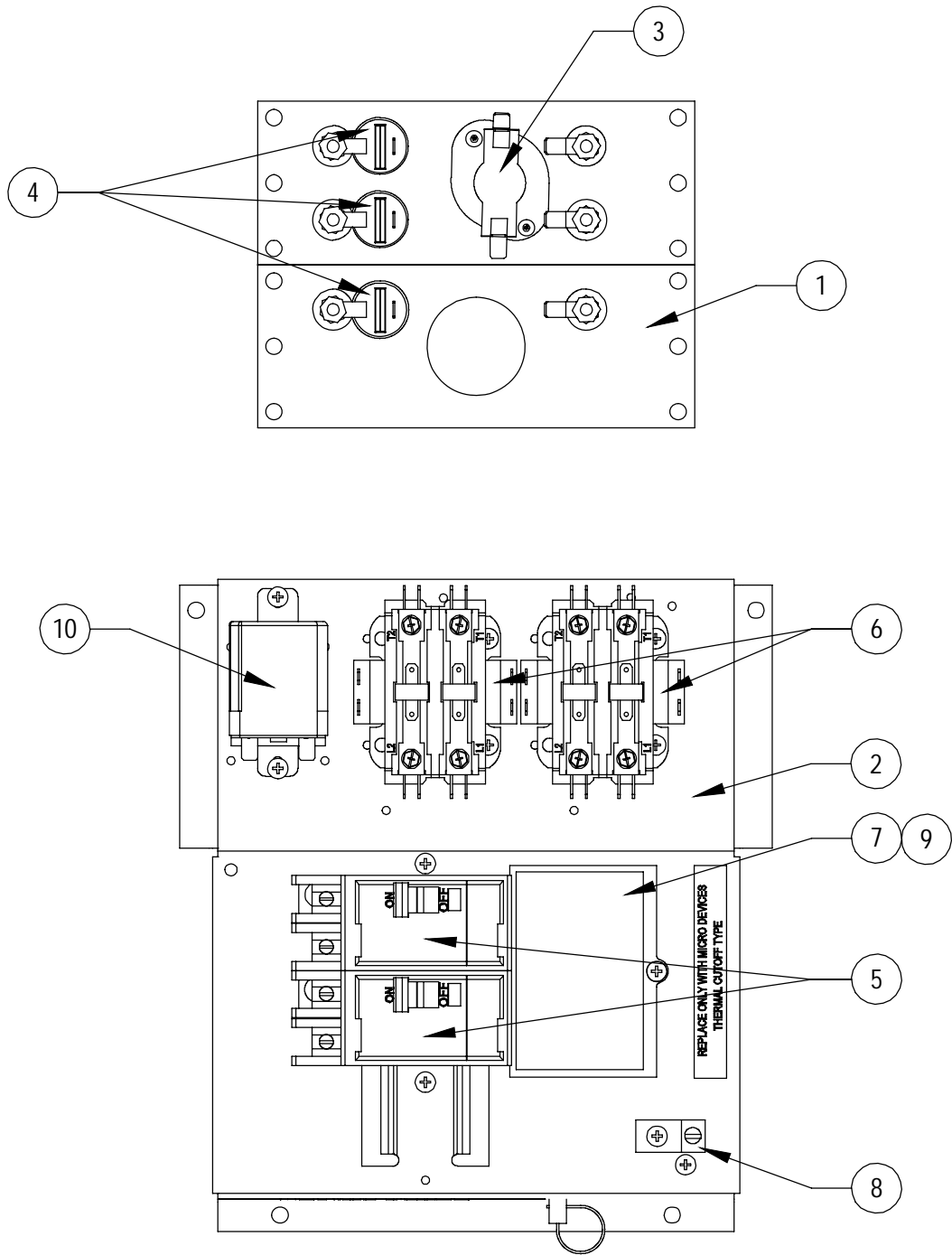


CLIMATE CONTROL SOLUTIONS

Bard Manufacturing Company, Inc.
Bryan, Ohio 43506
Since 1914...Moving ahead, just as planned.

Manual: 2110-617A
Supersedes: 2110-617
File: Tab 18
Date: 01-13-11

HEATER PACKAGES – HEAT PUMP



SEXP-549

HEATER PACKAGES – HEAT PUMP

Drawing No.	Part No.	Description	ESH31-A04	ESH31-A08	ESH31-B06	ESH31-C06	ESH03H-A05	ESH03H-A08	ESH03H-A10	ESH03H-A15	ESH03H-B09	ESH03H-B15	ESH03H-C09	ESH03H-C15	ESH04H-A04	ESH04H-A05
1	8604-048	Heat Strip 9 KW									X	X				
1	8604-049	Heat Strip 6 KW									X					
1	8604-088	Heat Strip 4 KW													X	
1	8604-089	Heat Strip 5 KW					X			X						X
1	8604-090	Heat Strip 8 KW						X								
1	8604-091	Heat Strip 10 KW							X	X						
1	8604-100	Heat Strip 6 KW				X								X		
1	8604-101	Heat Strip 9 KW											X	X		
1	8604-120	Heat Strip 8 KW		X												
1	8604-123	Heat Strip 6 KW			X											
1	8604-124	Heat Strip 4 KW	X													
2	127X210	Heater Control Base	X	X	X		X	X	X	X	X	X			X	X
2	127-321	Heater Control Base				X							X	X		
3	8402-047	Limit Control				X			X	X						
3	8402-065	Limit Control					X									
3	8402-074	Limit Control			X			X			X	X				
3	8402-118	Limit Control	X										X	X	X	X
3	8402-141	Limit Control		X												
4	8402-019	Thermal Cutoff	1	2	2			2	3							
4	8402-092	Thermal Cutoff														
4	8402-093	Thermal Cutoff						3			2	4				
4	8402-094	Thermal Cutoff											2	4		
4	8402-096	Thermal Cutoff					1								1	1
4	8402-128	Thermal Cutoff			2											
5	8615-037	Circuit Breaker 30A	X					2		X						X
5	8615-039	Circuit Breaker 45A		X					X	X						X
5	8615-040	Circuit Breaker 50A							X	X					X	
5	8615-041	Circuit Breaker 60A					X		X	X						
5	8615-043	Circuit Breaker 40A 3 PH			X											
5	8615-046	Circuit Breaker 60A 3 PH									X	X				
5	8615-067	Toggle Disconnect				X										
5	8615-068	Rotary Disconnect											X	X		
NS	8615-071	Disconnect Handle											X	X		
6	8401-006	Heat Contactor	X	X	X		X	X	X	X	X	X			X	X
6	8401-002	Heat Contactor 3 PH				X							X	X		
7	8615-047	Jumper Bar Base 4 Pole						X	X	X						X
8	8611-006	Ground Terminal						X	X	X						X
9	8615-049	Jumper Bar Cover 4 Pole						X	X	X						X
10	8201-013	Relay		X												
10	8201-048	Relay					X	X	X	X	X	X	X	X	X	X
NS	4097-121	Wiring Diagram	X													
NS	4097-145	Wiring Diagram		X												
NS	4097-221	Wiring Diagram			X											
NS	4097-322	Wiring Diagram				X										
NS	4116-101	Wiring Diagram					X								X	
NS	4116-102	Wiring Diagram														X
NS	4116-103	Wiring Diagram						X	X							
NS	4116-104	Wiring Diagram								X						
NS	4116-201	Wiring Diagram									X					
NS	4116-202	Wiring Diagram										X				
NS	4116-301	Wiring Diagram											X			
NS	4116-302	Wiring Diagram												X		

NS = Not Shown

HEATER PACKAGES – HEAT PUMP

Drawing No.	Part No.	Description	EHS04H-A08	EHS04H-A10	EHS04H-A15	EHS05H-A05	EHS05H-A10	EHS05H-A15	EHS05H-A20	EHS05H-B06	EHS05H-B09	EHS05H-B15	EHS05H-C06	EHS05H-C09	EHS05H-C15
1	8604-048	Heat Strip 9 KW									X	X			
1	8604-049	Heat Strip 6 KW								X		X			
1	8604-089	Heat Strip 5 KW			X	X		X							
1	8604-090	Heat Strip 8 KW	X												
1	8604-091	Heat Strip 10 KW		X	X		X	X	2						
1	8604-100	Heat Strip 6 KW											X		X
1	8604-101	Heat Strip 9 KW												X	X
2	127X210	Heater Control Base	X	X	X	X	X	X	X	X	X	X			
2	127-321	Heater Control Base											X	X	X
3	8402-047	Limit Control		X			X								
3	8402-074	Limit Control			X			X	X	X			X		
3	8402-118	Limit Control				X									
3	8402-172	Limit Control	X								X	X		X	X
4	8402-019	Thermal Cutoff		2			2								
4	8402-093	Thermal Cutoff	2		3			3	4	2					
4	8402-094	Thermal Cutoff											2	2	4
4	8402-096	Thermal Cutoff				1						2	4		
4	8402-114	Thermal Cutoff									2	4			
5	8615-037	Circuit Breaker 30A				X			X						
5	8615-039	Circuit Breaker 45A	X												
5	8615-040	Circuit Breaker 50A	X	X	X										
5	8615-041	Circuit Breaker 60A		X	X	X	X	2							
5	8615-045	Circuit Breaker 50A 3 PH								X					
5	8615-046	Circuit Breaker 60A 3 PH									X	X			
5	8615-068	Rotary Disconnect 460V 40A											X	X	X
NS	8615-071	Disconnect Handle											X	X	X
6	8401-006	Heat Contactor	X	X	X	X	X	X	X	X	X	X			
6	8401-002	Heat Contactor 3 PH											X	X	X
7	8615-047	Jumper Bar Base 4 Pole	X	X	X	X	X	X							
7	8615-048	Jumper Bar Base 6 Pole							X						
8	8611-006	Ground Terminal	X	X	X	X	X	X	X						
9	8615-049	Jumper Bar Cover 4 Pole	X	X	X	X	X	X							
9	8615-050	Jumper Bar Cover 6 Pole							X						
10	8201-048	Relay	X	X	X	X	X	X	X	X	X	X	X	X	X
NS	4116-102	Wiring Diagram				X									
NS	4116-103	Wiring Diagram	X	X			X								
NS	4116-104	Wiring Diagram			X			X							
NS	4116-105	Wiring Diagram							X						
NS	4116-201	Wiring Diagram								X	X				
NS	4116-202	Wiring Diagram										X			
NS	4116-301	Wiring Diagram											X	X	
NS	4116-302	Wiring Diagram													X

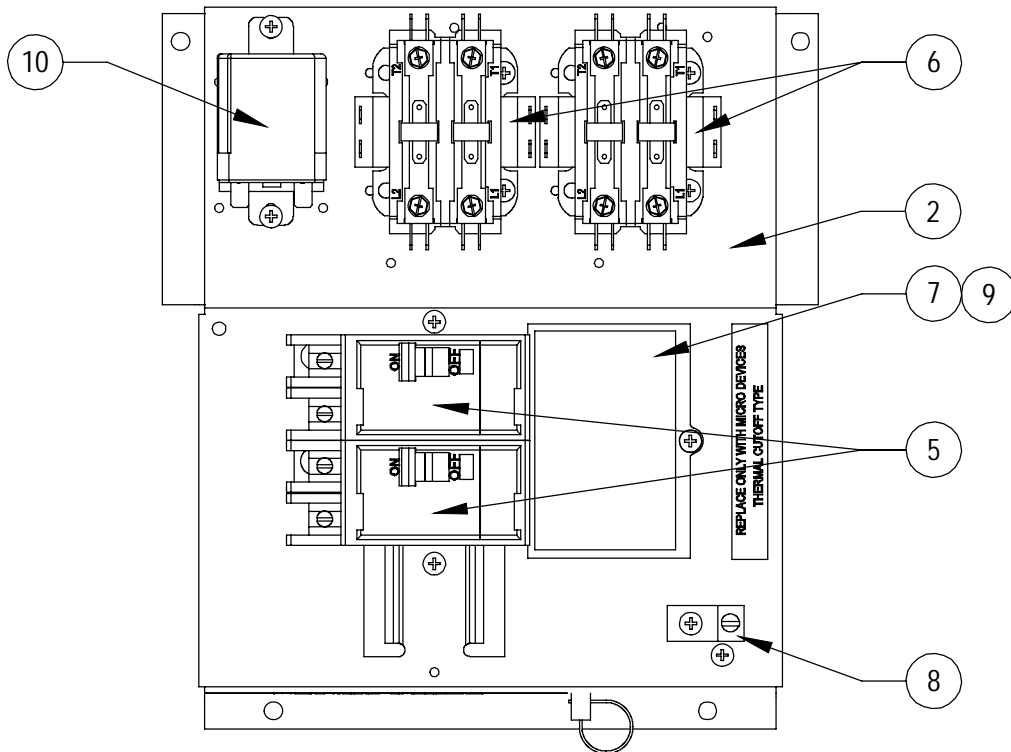
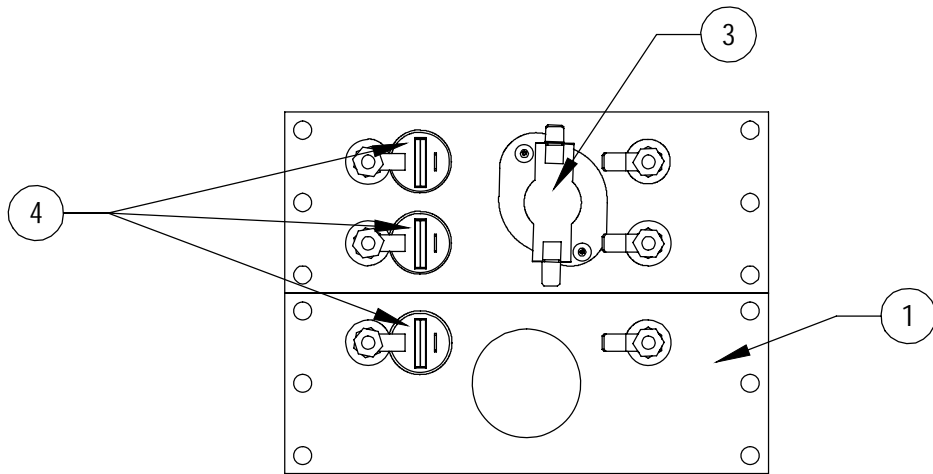
NS = Not Shown

HEATER PACKAGES – HEAT PUMP

Drawing No.	Part No.	Description	EH02H-B06	EH03H-A04	EH03H-AS8	EH03H-AF8	EH03H-B06	EH03H-B09	EH03H-C06	EH03H-C09	EH05H-B09	EH05H-B06	EH05H-A15	EH05H-A10	EH05H-A08
1	8604-048	Heat Strip 9 KW 240V 3 Term L					X	X			X				
1	8604-049	Heat Strip 6 KW 240V 3 Term L	X				X				X				
1	8604-089	Heat Strip 5 KW 240V 2 Term L											X		
1	8604-090	Heat Strip 8 KW 240V 4 Term L			X	X									X
1	8604-091	Heat Strip 10 KW 240V 4 Term L											X	X	
1	8604-088	Heat Strip 4 KW 240V 2 Term		X											
1	8604-100	Heat Strip 6 KW 480V 3 Term							X						
1	8604-101	Heat Strip 9 KW 480V 3 Term								X					
2	127X210	Heater Control Base	X	X	X	X	X	X			X	X	X	X	X
2	127-321	Heater Control Base							X	X					
3	8402-047	Limit Control	X		X	X	X	X		X	X	X	X	X	
3	8402-074	Limit Control		X											X
3	8402-118	Limit Control													
3	8402-172	Limit Control							X						
4	8402-019	Thermal Cutoff													
4	8402-093	Thermal Cutoff			2	2					2	2	3	2	2
4	8402-128	Thermal Cutoff							2						
4	8402-138	Thermal Cutoff								2					
4	8402-092	Thermal Cutoff	2	1			2	2							
5	8615-038	Circuit Breaker 35A 2-Pole				X							X	X	X
5	8615-039	Circuit Breaker 45A 2-Pole				X									X
5	8615-040	Circuit Breaker 50A 2-Pole		X	X										
5	8615-041	Circuit Breaker 60A 2-Pole													
5	8615-044	Circuit Breaker 45A 3-Pole						X				X		X	
5	8615-045	Circuit Breaker 50A 3-Pole									X				
5	8615-042	Circuit Breaker 35A 3-Pole	X												
5	8615-043	Circuit Breaker 40A 2-Pole					X								
5	8615-068	Rotary Disconnect							X	X					
6	8401-006	Heat Contactor 2-Pole 20 AMP	X	X	2	X	X	X			X	X	X	X	X
6	8401-002	Heat Contactor 3-Pole 25 AMP							X	X					
7	8615-047	Jumper Bar Base 4 Pole				X							X	X	X
8	8611-006	Ground Terminal				X							X	X	X
9	8615-049	Jumper Bar Cover 4 Pole				X							X	X	X
10	8201-048	Relay, DPDT, 5A @277V	X	X	X	X	X	X	X	X	X	X	X	X	X
NS	3000-1326	Wiring Assembly									X	X	X	X	X
NS	3000-1375	Wiring Assembly	X	X	X	X	X	X	X	X					
NS	4116-103A	Wiring Diagram				X								X	X
NS	4116-104A	Wiring Diagram											X		
NS	4116-111	Wiring Diagram			X										
NS	4116-201A	Wiring Diagram	X				X	X			X	X			
NS	4116-101	Wiring Diagram		X											
NS	4116-301	Wiring Diagram							X	X					
NS	8615-061	Cover Plate 3PH									X	X			
NS	8615-071	Disconnect Handle							X	X					

NS = Not Shown

HEATER PACKAGES – AIR CONDITIONER



SEXP-549

HEATER PACKAGES – AIR CONDITIONER

Drawing No.	Part No.	Description	EHS03A-A05	EHS03A-A08	EHS03A-A10	EHS03A-A15	EHS03A-B06	EHS03A-B09	EHS03A-B15	EHS03A-C06	EHS03A-C09	EHS03A-C15	EHS04A-A05
1	8604-048	Heat Strip 9 KW						X	X				
1	8604-049	Heat Strip 6 KW					X		X				
1	8604-089	Heat Strip 5 KW	X			X							X
1	8604-090	Heat Strip 8 KW		X									
1	8604-091	Heat Strip 10 KW			X	X							
1	8604-100	Heat Strip 6 KW								X		X	
1	8604-101	Heat Strip 9 KW									X	X	
2	127X210	Heater Control Base	X	X	X	X	X	X	X				
2	127-211	Heater Control Base								X	X	X	X
3	8402-047	Limit Control			X								
3	8402-065	Limit Control	X										
3	8402-074	Limit Control		X			X	X					
3	8402-075	Limit Control							X				
3	8402-118	Limit Control								X	X		X
3	8402-141	Limit Control										X	
3	8402-174	Limit Control				X							
4	8402-019	Thermal Cutoff			2	3							
4	8402-093	Thermal Cutoff		2			2	2	4				
4	8402-094	Thermal Cutoff								2	2	4	
4	8402-096	Thermal Cutoff	1										1
5	8615-037	Circuit Breaker 30A			X								
5	8615-039	Circuit Breaker 45A	X		X	X							
5	8615-040	Circuit Breaker 50A		X									X
5	8615-041	Circuit Breaker 60A			X								
5	8615-042	Circuit Breaker 35A 3 PH					X						
5	8615-043	Circuit Breaker 40A 3 PH						X					
5	8615-046	Circuit Breaker 60A 3 PH							X				
5	8615-068	Rotary Disconnect								X	X	X	
NS	8615-071	Disconnect Handle								X	X	X	
6	8401-006	Heat Contactor	X	X	X	X	X	X	X				X
6	8401-002	Heat Contactor 3 PH								X	X	X	
7	8615-047	Jumper Bar Base 4 Pole			X	X							
8	8611-006	Ground Terminal			X	X							
9	8615-049	Jumper Bar Cover 4 Pole			X	X							
10	8201-062	Relay	X	X	X	X	X	X	X	X	X	X	X
NS	4116-106	Wiring Diagram	X										X
NS	4116-107	Wiring Diagram		X									
NS	4116-108	Wiring Diagram			X								
NS	4116-109	Wiring Diagram				X							
NS	4116-203	Wiring Diagram					X	X					
NS	4116-204	Wiring Diagram							X				
NS	4116-303	Wiring Diagram								X	X		
NS	4116-304	Wiring Diagram										X	

NS = Not Shown

HEATER PACKAGES – AIR CONDITIONER

Drawing No.	Part No.	Description	EH04A-A08	EH04A-A15	EH04A-B09	EH04A-B15	EH04A-C06	EH04A-C09	EH04A-C15	EH05A-A05	EH05A-A10	EH05A-A15
1	8604-048	Heat Strip 9 KW			X	X						
1	8604-049	Heat Strip 6 KW				X						
1	8604-089	Heat Strip 5 KW		X						X		X
1	8604-090	Heat Strip 8 KW	X									
1	8604-091	Heat Strip 10 KW		X							X	X
1	8604-100	Heat Strip 6 KW					X		X			
1	8604-101	Heat Strip 9 KW						X	X			
2	127X210	Heater Control Base	X	X	X	X				X	X	X
2	127-211	Heater Control Base					X	X	X			
3	8402-047	Limit Control					X				X	
3	8402-074	Limit Control										
3	8402-075	Limit Control		X								X
3	8402-118	Limit Control								X		
3	8402-172	Limit Control	X		X			X				
3	8402-173	Limit Control				X			X			
4	8402-019	Thermal Cutoff									2	
4	8402-093	Thermal Cutoff	2	3	2	4						3
4	8402-094	Thermal Cutoff					2	2	4			
4	8402-096	Thermal Cutoff								1		
5	8615-037	Circuit Breaker 30A									X	
5	8615-040	Circuit Breaker 50A		X								
5	8615-041	Circuit Breaker 60A	X	X						X	X	2
5	8615-044	Circuit Breaker 45A 3 PH			X							
5	8615-046	Circuit Breaker 60A 3 PH				X						
5	8615-068	Rotary Disconnect					X	X	X			
NS	8615-071	Disconnect Handle					X	X	X			
6	8401-006	Heat Contactor	X	X	X	X				X	X	X
6	8401-002	Heat Contactor 3 PH					X	X	X			
7	8615-047	Jumper Bar Base 4 Pole		X							X	X
8	8611-006	Ground Terminal		X							X	X
9	8615-049	Jumper Bar Cover 4 Pole		X							X	X
10	8201-062	Relay	X	X	X	X	X	X	X	X	X	X
NS	4116-106	Wiring Diagram								X		
NS	4116-107	Wiring Diagram	X									
NS	4116-108	Wiring Diagram									X	
NS	4116-109	Wiring Diagram		X								X
NS	4116-203	Wiring Diagram			X							
NS	4116-204	Wiring Diagram				X						
NS	4116-303	Wiring Diagram					X	X				
NS	4116-304	Wiring Diagram							X			

NS = Not Shown