
REPLACEMENT PARTS MANUAL

Q-TEC™ Series Packaged Heat Pump

Models:

QW2S2-A QW3S2-A QW4S2-A QW5S2-A
QW2S2-B QW3S2-B QW4S2-B QW5S2-B
QW2S2-C QW3S2-C QW4S2-C QW5S2-C

Contents

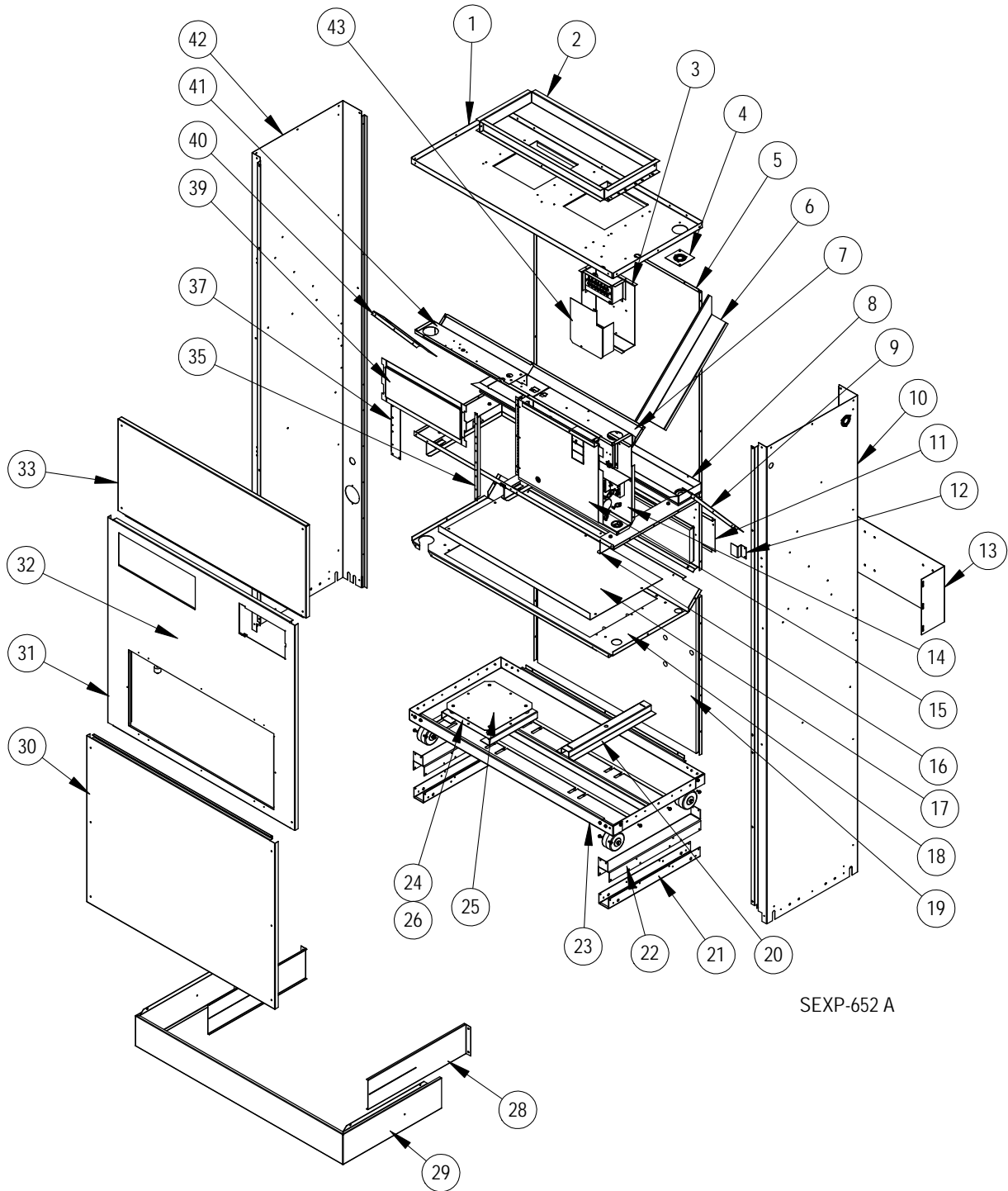
| Description | Page | Description | Page |
|---------------------------------------|------|--|------|
| Cabinet Components | | ◆ Exploded View – Option C..... | 18 |
| ◆ Exploded View..... | 2 | ◆ Usage List..... | 19 |
| ◆ Usage List..... | 3 | ◆ Exploded View – Option L..... | 20 |
| Functional Components | | ◆ Usage List..... | 21 |
| ◆ Exploded View..... | 4 | ◆ Exploded View – Options 1-4..... | 22 |
| ◆ Usage List..... | 5 | ◆ Usage List..... | 23 |
| ◆ Usage List..... | 6 | Wall Sleeve Cabinet Components | |
| Control Panel | | ◆ Exploded View..... | 24 |
| ◆ Exploded View – A & B Voltages..... | 8 | ◆ Usage List..... | 25 |
| ◆ Usage List..... | 9 | | |
| ◆ Exploded View – C Voltage..... | 10 | General Notes | |
| ◆ Usage List..... | 11 | ➤ Revised and/or additional pages may be issued from time to time. | |
| Blower Assembly Components | | ➤ A complete and current manual consists of pages shown in the following contents section. | |
| ◆ Exploded View..... | 12 | | |
| ◆ Usage List..... | 13 | Important | |
| Optional Climate Controls | | ➤ Contact the installing and/or local Bard distributor for all parts requirements. Make sure to have the complete model and serial number available from the unit rating plates. | |
| ◆ Exploded View – All Units..... | 14 | | |
| ◆ Usage List..... | 15 | | |
| ◆ Exploded View – Option S..... | 16 | | |
| ◆ Usage List..... | 17 | | |



Bard Manufacturing Company, Inc.
Bryan, Ohio 43506
www.bardhvac.com

Manual: 2110-588N
Supersedes: 2110-588M
Date: 11-16-21

CABINET COMPONENTS



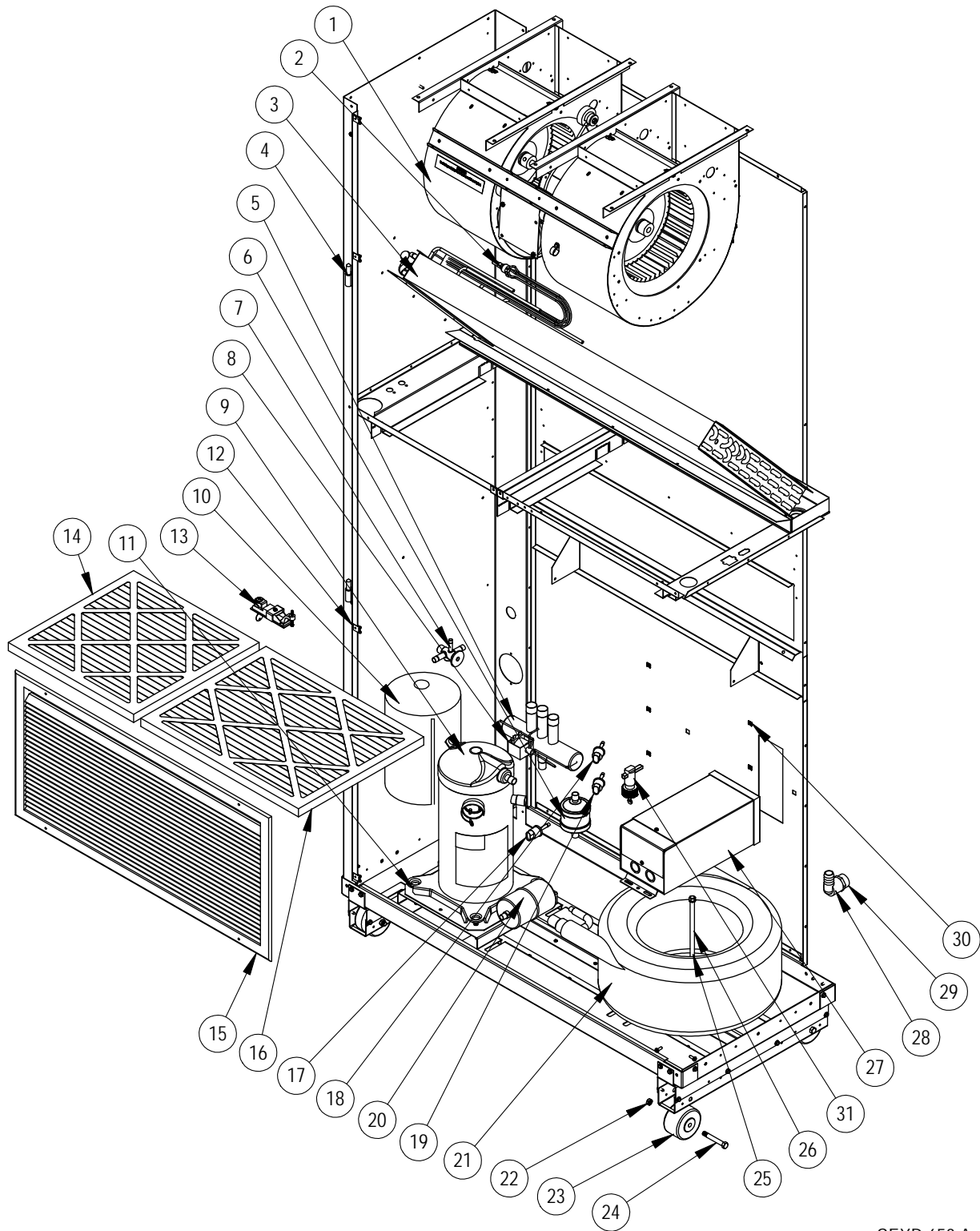
SEXP-652 A

CABINET COMPONENTS

| Drawing No. | Part No. | Description | QW2S2-A, -B, -C | QW4S2-A, -B, -C |
|-------------|-----------------|---|-----------------|-----------------|
| | | | QW3S2-A, -B, -C | QW5S2-A, -B, -C |
| 1 | S507-279 | Top Assembly | X | |
| 1 | S507-278 | Top Assembly | | X |
| 2 | 111-142 | Outlet Duct Flange | 2 | |
| 2 | 111-138 | Outlet Duct Flange | | 2 |
| 3 | 117-285 | Low Voltage Box Assembly | X | X |
| 4 | 136-359 | T.K.O. Plate | X | X |
| 5 | 509-231 | Back Assembly | X | |
| 5 | 509-230 | Back Assembly | | X |
| 6 | 134-154 | Wire Channel | X | X |
| 7 | 534-191 | Evaporator Coil Shield - Right | X | |
| 7 | 534-195 | Evaporator Coil Shield - Right | | X |
| 8 | 523-104 | Evaporator Drain Pan Assembly | X | |
| 8 | 523-105 | Evaporator Drain Pan Assembly | | X |
| 9 | 140X277 | Right Evaporator Support | X | X |
| 10 | 501-557-* | Ride Side Assembly | X | X |
| 11 | 542-054 | Fresh Air Blank-Off Plate Assembly | X | X |
| 12 | 103-443 | Door Latch Offset | X | X |
| 13 | 113-289 | Wall Mounting Bracket | 2 | 2 |
| 14 | See Pages 7 & 9 | Control Panel Components | X | X |
| 15 | S132-165 | Circuit Breaker Door Inner (230V Models) | X | X |
| 15 | S132-351 | Disconnect Door (460V Models) | X | X |
| 16 | 919-0011 | Filter Partition Assembly | X | |
| 16 | 919-0012 | Filter Partition Assembly | | X |
| 17 | 537-584 | Condenser Blank-Off Plate | X | X |
| 18 | 521-442 | Condenser Partition Assembly | X | |
| 18 | 521-439 | Condenser Partition Assembly | | X |
| 19 | 509-233 | Lower Back with Cage Nuts | X | |
| 19 | 509-223 | Lower Back with Cage Nuts | | X |
| 20 | 140-026 | Water Coil Hold Down (230V Models) | X | X |
| 20 | 140-278 | Water Coil Hold Down (460V Models) | X | X |
| 21 | 140-276 | Lower Roller Support | 2 | 2 |
| 22 | 140-280 | Upper Roller Support | 2 | 2 |
| 23 | S127-384-X | Lower Base Assembly | X | |
| 23 | S127-379-X | Lower Base Assembly | | X |
| 24 | 141-368 | Compressor Support | X | X |
| 25 | 140-369 | Compressor Support Plate | X | X |
| 26 | 5451-018 | Motor Mount Grommet | X | X |
| 28 | 135-258-6 | Base Trim Extension | 2 | 2 |
| 29 | 535-253-6 | Base Trim Assembly with Extension | X | |
| 29 | 535-259-6 | Base Trim Assembly with Extension | | X |
| 30 | 552-332-* | Condenser Door Assembly | X | |
| 30 | 553-470-* | Condenser Door Assembly | | X |
| 31 | 553-468-* | Filter Door Assembly w/Circuit Breaker Door | X | |
| 31 | 553-469-* | Filter Door Assembly w/Circuit Breaker Door | | X |
| 31 | 553-516-* | (with C & S Control Option) | X | |
| 31 | 553-517-* | (with C & S Control Option) | | X |
| 31 | 553-572-* | (with "L" Control Option) | X | |
| 31 | 553-573-* | (with "L" Control Option) | | X |
| 32 | 153-336-* | Circuit Breaker Door | X | X |
| 33 | S552-331-* | Blower Door Assembly | X | |
| 33 | S552-333-* | Blower Door Assembly | | X |
| 35 | 104-1096 | Right Thermostat Support Angle | X | X |
| 37 | 104-1157 | Left Thermostat Support Angle | X | X |
| 39 | See Page 13 | Thermostat Mounting Plate | X | X |
| 40 | 140Y277 | Left Evaporator Support | X | X |
| 41 | 534-190 | Left Evaporator Coil Shield | X | X |
| 42 | 501-573-* | Left Side Assembly | X | X |
| 43 | 133-201 | Low Voltage Box Cover | X | X |

* Exterior cabinet parts are manufactured with various paint color options. To ensure the proper paint color is received, reference the following codes: Beige -X, Buckeye Gray -4, Vinyl/Slate Finish -6, Vinyl/Platinum Finish -7

FUNCTIONAL COMPONENTS



SEXP-653 A

This drawing to be used for reference for pages 5 and 6

FUNCTIONAL COMPONENTS

| Drawing No. | Part No. | Description | QW2S2-A | QW2S2-B | QW2S2-C | QW3S2-A | QW3S2-B | QW3S2-C | QW4S2-A | QW4S2-B | QW4S2-C | QW5S2-A | QW5S2-B | QW5S2-C |
|-------------|--------------|--|---------|---------|---------|---------|---------|---------|---------|---------|---------|---------|---------|---------|
| 1 | S900-301-002 | Blower Assembly | X | X | X | | | | | | | | | |
| 1 | S900-299-002 | Blower Assembly | | | | X | X | X | | | | | | |
| 1 | S900-300-003 | Blower Assembly | | | | | | | X | X | X | | | |
| 1 | S900-300-004 | Blower Assembly | | | | | | | | | | X | X | X |
| 2 | 5625-007 | Distributor Cooling | X | X | X | X | X | X | | | | | | |
| 2 | 5625-008 | Distributor Cooling | | | | | | | X | X | X | | | |
| 2 | 5625-010 | Distributor Cooling | | | | | | | | | | X | X | X |
| 3 | 5060-118BX | Evaporator Coil | X | X | X | X | X | X | | | | | | |
| 3 | 5060-150BX | Evaporator Coil | | | | | | | X | X | X | | | |
| 3 | 5060-119BX | Evaporator Coil | | | | | | | | | | X | X | X |
| 4 | 5400-005 | Hinge | 2 | 2 | 2 | 2 | 2 | 2 | 2 | 2 | 2 | 2 | 2 | 2 |
| 5 | 5650-038 | Reversing Valve with 24V Solenoid Coil | X | X | X | | | | | | | | | |
| 5 | 5650-039 | Reversing Valve with 24V Solenoid Coil | | | | X | X | X | | | | | | |
| 5 | 5650-040 | Reversing Valve with 24V Solenoid Coil | | | | | | | X | X | X | X | X | X |
| 6 | 5220-013 | Discharge Muffler | X | X | X | X | X | X | X | X | X | X | X | X |
| 7 | 5651-206 | TXV | X | X | X | | | | | | | | | |
| 7 | 5651-202 | TXV | | | | X | X | X | | | | | | |
| 7 | 5651-203 | TXV | | | | | | | X | X | X | | | |
| 7 | 5651-204 | TXV | | | | | | | | | | X | X | X |
| 8 | 5650-042 | Reversing Valve Solenoid, Red Casing (Ranco) | X | X | X | X | X | X | X | X | X | X | X | X |
| 8 | 5650-043 | Reversing Valve Solenoid, Black Casing (Wilspec) | X | X | X | X | X | X | X | X | X | X | X | X |
| 8 | 5650-046 | Reversing Valve Solenoid, Black Casing (San Hua) | X | X | X | X | X | X | X | X | X | X | X | X |
| 9 | 8000-394 | Compressor | X | | | | | | | | | | | |
| 9 | 8000-396 | Compressor | | X | | | | | | | | | | |
| 9 | 8000-398 | Compressor | | | X | | | | | | | | | |
| 9 | 8000-379 | Compressor | | | | X | | | | | | | | |
| 9 | 8000-380 | Compressor | | | | | X | | | | | | | |
| 9 | 8000-381 | Compressor | | | | | | X | | | | | | |
| 9 | 8000-382 | Compressor | | | | | | | X | | | | | |
| 9 | 8000-383 | Compressor | | | | | | | | X | | | | |
| 9 | 8000-384 | Compressor | | | | | | | | | X | | | |
| 9 | 8000-385 | Compressor | | | | | | | | | | X | | |
| 9 | 8000-386 | Compressor | | | | | | | | | | | X | |
| 9 | 8000-387 | Compressor | | | | | | | | | | | | X |
| 10 | 8002-012 | Sound Cover | X | X | X | X | X | X | | | | | | |
| 10 | 8002-013 | Sound Cover | | | | | | | X | X | X | X | X | X |
| 11 | 5451-018 | Compressor Secondary Grommet | X | X | X | X | X | X | X | X | X | X | X | X |
| 12 | 1012-315 | "U" Clip Fastener | 8 | 8 | 8 | 8 | 8 | 8 | 8 | 8 | 8 | 8 | 8 | 8 |
| 13 | 1171-049 | Keylatch/Circuit Breaker Door | X | X | X | X | X | X | X | X | X | X | X | X |
| 14 | 7004-034 | Air Filter 16 x 16 x 2 MERV 8 | X | X | X | X | X | X | X | X | X | X | X | X |
| 14 | 7004-069 | Air Filter 16 x 16 x 2 MERV 13 | X | X | X | X | X | X | X | X | X | X | X | X |
| 15 | 7051-034 | Return Air Grille (for Beige & Buckeye Gray Units) | X | X | X | X | X | X | | | | | | |
| 15 | 7051-061 | Return Air Grille (for Vinyl Units) | X | X | X | X | X | X | | | | | | |
| 15 | 7051-039 | Return Air Grille (for Beige & Buckeye Gray Units) | | | | | | | X | X | X | X | X | X |
| 15 | 7051-063 | Return Air Grille (for Vinyl Units) | | | | | | | X | X | X | X | X | X |
| 16 | 7004-035 | Air Filter 16 x 20 x 2 MERV 8 | X | X | X | X | X | X | | | | | | |
| 16 | 7004-070 | Air Filter 16 x 20 x 2 MERV 13 | X | X | X | X | X | X | | | | | | |
| 16 | 7004-025 | Air Filter 16 x 25 x 2 MERV 8 | | | | | | | X | X | X | X | X | X |
| 16 | 7004-061 | Air Filter 16 x 25 x 2 MERV 13 | | | | | | | X | X | X | X | X | X |

Continued on page 6

FUNCTIONAL COMPONENTS

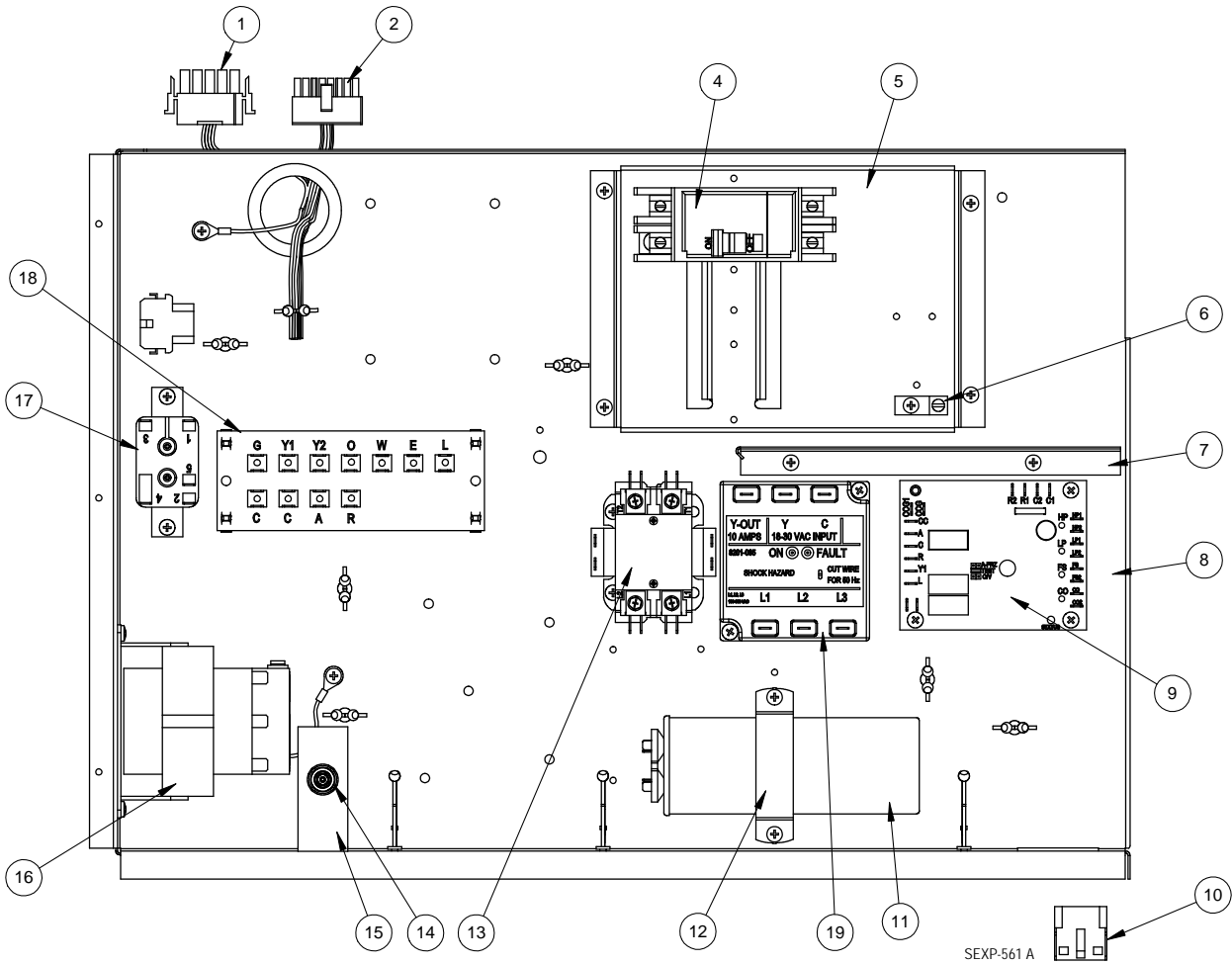
| Drawing No. | Part No. | Description | QW2S2-A | QW2S2-B | QW2S2-C | QW3S2-A | QW3S2-B | QW3S2-C | QW4S2-A | QW4S2-B | QW4S2-C | QW5S2-A | QW5S2-B | QW5S2-C |
|------------------------------|-----------|---|---------|---------|---------|---------|---------|---------|---------|---------|---------|---------|---------|---------|
| <i>Continued from page 5</i> | | | | | | | | | | | | | | |
| 17 | 1804-0327 | High Pressure Switch | X | X | X | X | X | X | X | X | X | X | X | X |
| 18 | 1804-0496 | Low Pressure Switch 75 PSIG | X | X | X | X | X | X | X | X | X | X | X | X |
| 19 | 1804-0499 | Low Pressure Switch 55 PSIG | X | X | X | X | X | X | X | X | X | X | X | X |
| 20 | 5201-019 | Filter / Drier | X | X | X | X | X | X | | | | | | |
| 20 | 5201-020 | Filter / Drier | | | | | | | X | X | X | X | X | X |
| 21 | S917-0148 | Water Coil Assembly | X | X | X | X | X | X | | | | | | |
| 21 | S917-0149 | Water Coil Assembly (Optional Cupronickel Coil) | X | X | X | X | X | X | | | | | | |
| 21 | S917-0150 | Water Coil Assembly | | | | | | | X | X | X | | | |
| 21 | S917-0151 | Water Coil Assembly (Optional Cupronickel Coil) | | | | | | | X | X | X | | | |
| 21 | S917-0152 | Water Coil Assembly | | | | | | | | | | X | X | X |
| 21 | S917-0153 | Water Coil Assembly (Optional Cupronickel Coil) | | | | | | | | | | X | X | X |
| 22 | 1012-224 | Nut - Locking | 4 | 4 | 4 | 4 | 4 | 4 | 4 | 4 | 4 | 4 | 4 | 4 |
| 23 | 1171-035 | Wheel | 4 | 4 | 4 | 4 | 4 | 4 | 4 | 4 | 4 | 4 | 4 | 4 |
| 24 | 1012-129 | Bolt - Shoulder | 4 | 4 | 4 | 4 | 4 | 4 | 4 | 4 | 4 | 4 | 4 | 4 |
| 25 | 1012-226 | Cage Nut | X | X | X | X | X | X | X | X | X | X | X | X |
| 26 | 1012-167 | 3/8 x 7-1/2 Hex Head Bolt | X | X | X | X | X | X | | | | | | |
| 26 | 1012-168 | 3/8 x 9 Hex Head Bolt | | | | | | | X | X | X | | | |
| 26 | 1012-169 | 3/8 x 10 Hex Head Bolt | | | | | | | | | | X | X | X |
| 27 | 8407-058 | Stepdown Transformer 1.0 KVA | X | X | X | X | X | X | X | X | X | | | |
| 27 | 8407-003 | Stepdown Transformer 1.5 KVA (Units w/ERV) | X | X | X | X | X | X | | | | | | |
| 27 | 8407-004 | Stepdown Transformer 2.0 KVA (Units w/ERV) | | | | | | | X | X | X | X | X | X |
| 27 | 8407-003 | Stepdown Transformer 1.5 KVA | | | | | | | | | | X | X | X |
| 28 | 6094-007 | Barbed Drain Fitting | X | X | X | X | X | X | X | X | X | X | X | X |
| 29 | 6093-011 | 3/4 Male Adapter | X | X | X | X | X | X | X | X | X | X | X | X |
| 30 | 1012-218 | 1/4 Cage Nut | 6 | 6 | 6 | 6 | 6 | 6 | 6 | 6 | 6 | 6 | 6 | 6 |
| 31 | 910-1931 | Flow Switch Assembly | X | X | X | X | X | X | X | X | X | X | X | X |
| NS | 4113-102 | Unit Wiring Diagram | X | | | X | | | X | | | X | | |
| NS | 4113-200 | Unit Wiring Diagram | | X | | | X | | | X | | | X | |
| NS | 4113-300 | Unit Wiring Diagram | | | X | | | X | | | X | | | X |
| NS | 6031-009 | Coremax Valve Core | X | X | X | X | X | X | X | X | X | X | X | X |

NS – Not Shown

Refer to drawing on page 4

This page intentionally left blank

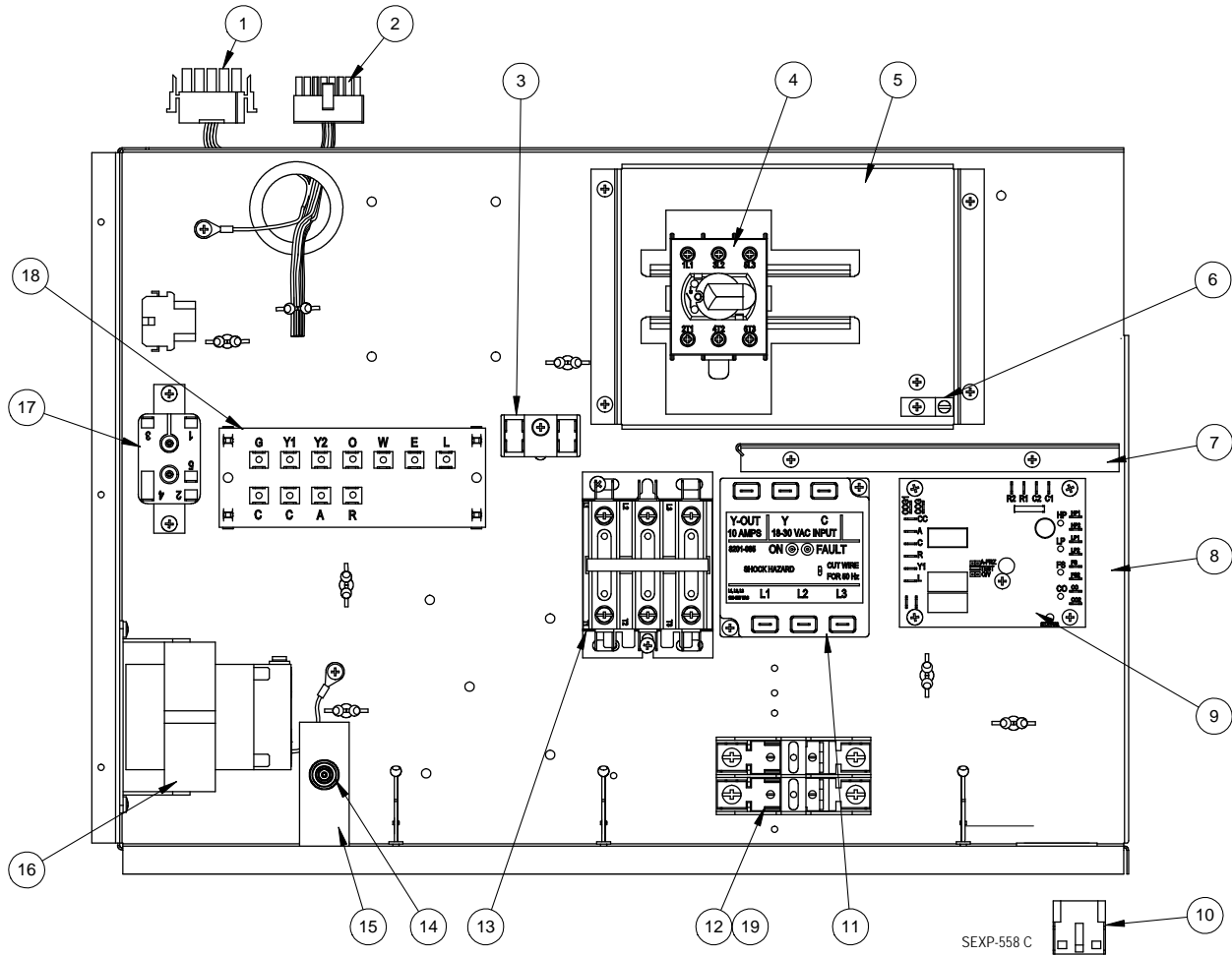
CONTROL PANEL - A (230V/208V/1) & B (230V/208V/3) VOLTAGES



CONTROL PANEL – A (230V/208V/1) & B (230V/208V/3) VOLTAGES

| Drawing No. | Part No. | Description | QW2S2-A | QW2S2-B | QW3S2-A | QW3S2-B | QW4S2-A | QW4S2-B | QW5S2-A | QW5S2-B |
|-------------|-----------|-------------------------------|---------|---------|---------|---------|---------|---------|---------|---------|
| 1 | 3000-1331 | Wire Assembly | X | X | X | X | X | X | X | X |
| 2 | 3000-1327 | Wire Assembly | X | X | X | X | X | X | X | X |
| 4 | 8615-037 | Circuit Breaker 2 Pole 30A | X | | | | | | | |
| 4 | 8615-054 | Circuit Breaker 3 Pole 20A | | X | | | | | | |
| 4 | 8615-055 | Circuit Breaker 2 Pole 40A | | | X | | | | | |
| 4 | 8615-052 | Circuit Breaker 3 Pole 30A | | | | X | | | | |
| 4 | 8615-040 | Circuit Breaker 2 Pole 50A | | | | | X | | | |
| 4 | 8615-042 | Circuit Breaker 3 Pole 35A | | | | | | X | | |
| 4 | 8615-041 | Circuit Breaker 2 Pole 60A | | | | | | | X | |
| 4 | 8615-043 | Circuit Breaker 3 Pole 40A | | | | | | | | X |
| 5 | 126-267 | Circuit Breaker Base | X | X | X | X | X | X | X | X |
| 6 | 8611-006 | Terminal | X | X | X | X | X | X | X | X |
| 7 | 117-242 | Circuit Breaker Box Partition | X | X | X | X | X | X | X | X |
| 8 | 117-287 | Control Panel | X | X | X | X | X | X | X | X |
| 9 | 8201-140 | Compressor Logic Module | X | X | X | X | X | X | X | X |
| 10 | 3000-1325 | Wire Assembly | X | X | X | X | X | X | X | X |
| 11 | 8552-086 | Capacitor 35 - 370V | X | | | | | | | |
| 11 | 8552-035 | Capacitor 40 - 370V | | | X | | | | | |
| 11 | 8552-095 | Capacitor 30 - 370V | | | | | X | | | |
| 11 | 8552-096 | Capacitor 40 - 440V | | | | | | | X | |
| 12 | 8550-006 | Capacitor Bracket | X | | | | X | | | |
| 12 | 8550-007 | Capacitor Bracket | | | X | | | | X | |
| 13 | 8401-025 | Contactor | X | | X | | X | | X | |
| 13 | 8401-002 | Contactor | | X | | X | | X | | X |
| 14 | 8611-094 | Indicator Light | X | X | X | X | X | X | X | X |
| 15 | 113-384 | Light Bracket | X | X | X | X | X | X | X | X |
| 16 | 8407-048 | Transformer | X | X | X | X | X | X | X | X |
| 17 | 8201-048 | Relay, DPDT | X | X | X | X | X | X | X | X |
| 18 | 8607-029 | Terminal Strip | X | X | X | X | X | X | X | X |
| 19 | 8201-126 | 3 Phase Line Monitor | | X | | X | | X | | X |

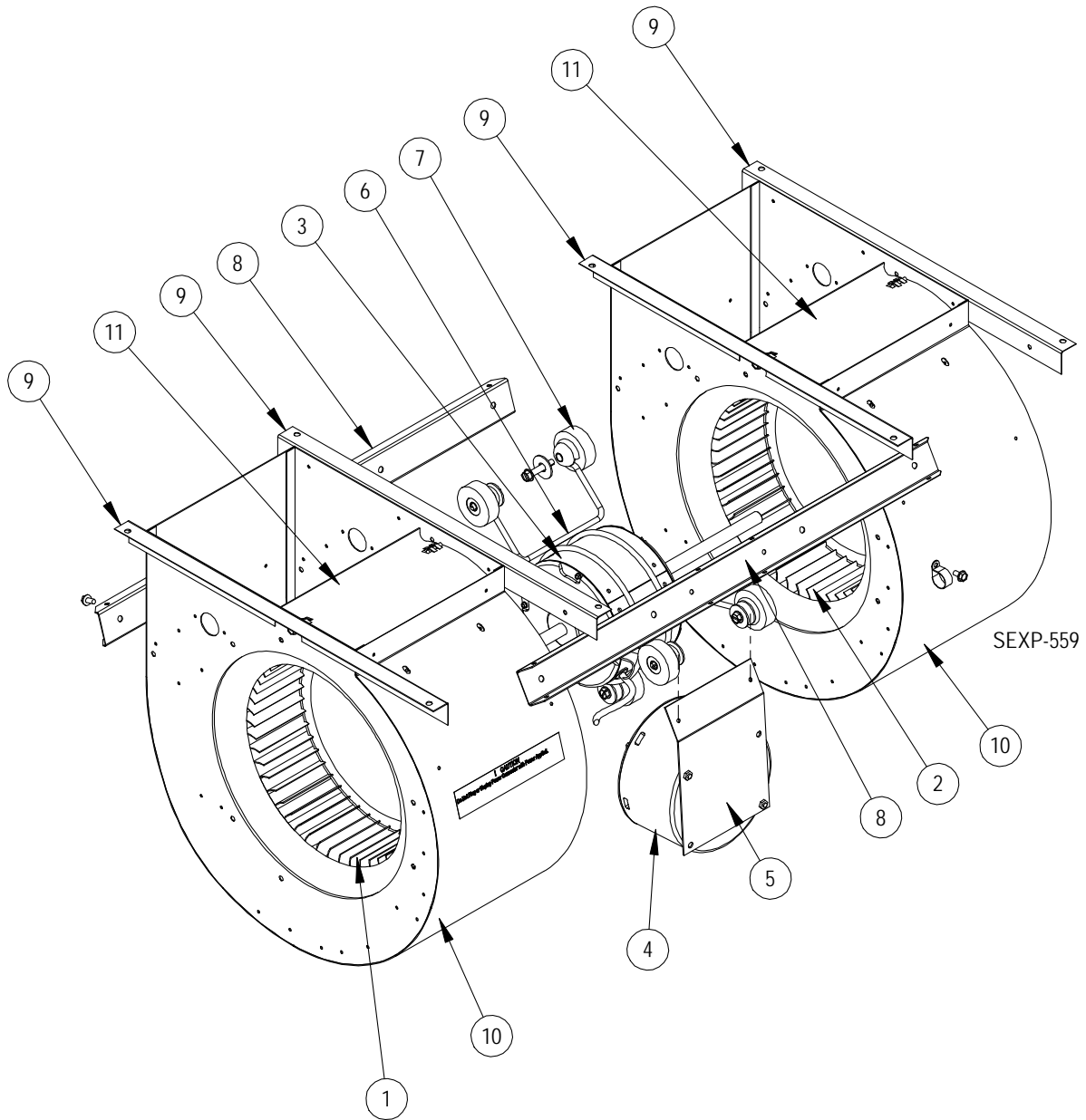
CONTROL PANEL - C (460V/3) VOLTAGE



CONTROL PANEL – C (460V/3) VOLTAGE

| Drawing No. | Part No. | Description | QW2S2-C | QW3S2-C | QW4S2-C | QW5S2-C |
|-------------|-----------|--------------------------------|---------|---------|---------|---------|
| 1 | 3000-1331 | Wire Assembly (Blower Power) | X | X | X | X |
| 2 | 3000-1327 | Wire Assembly (Blower Control) | X | X | X | X |
| 3 | 8607-017 | Terminal Block | X | X | X | X |
| 4 | S8615-101 | 460V Rotary Disconnect | X | X | X | X |
| 5 | 126-323 | Rotary Disconnect Base | X | X | X | X |
| 6 | 8611-006 | Terminal | X | X | X | X |
| 7 | 117-242 | Circuit Breaker Box Partition | X | X | X | X |
| 8 | 117-287 | Control Panel | X | X | X | X |
| 9 | 8201-140 | Compressor Logic Module | X | X | X | X |
| 10 | 3000-1325 | Wire Assembly (Vent Control) | X | X | X | X |
| 11 | 8201-126 | 3 Phase Line Monitor | X | X | X | X |
| 12 | 8614-041 | Fuse Block | X | X | X | X |
| 13 | 8401-002 | Contactactor | X | X | X | X |
| 14 | 8611-094 | Indicator Light | X | X | X | X |
| 15 | 113-384 | Light Bracket | X | X | X | X |
| 16 | 8407-050 | Transformer | X | X | X | X |
| 17 | 8201-048 | Relay, DPDT | X | X | X | X |
| 18 | 8607-029 | Terminal Strip | X | X | X | X |
| 19 | 8614-047 | Fuse 3.2A | 2 | 2 | 2 | |
| 19 | 8614-046 | Fuse 5A (Units with ERV) | 2 | 2 | | |
| 19 | 8614-042 | Fuse 7A (Units with ERV) | | | 2 | 2 |
| 19 | 8614-046 | Fuse 5A | | | | 2 |

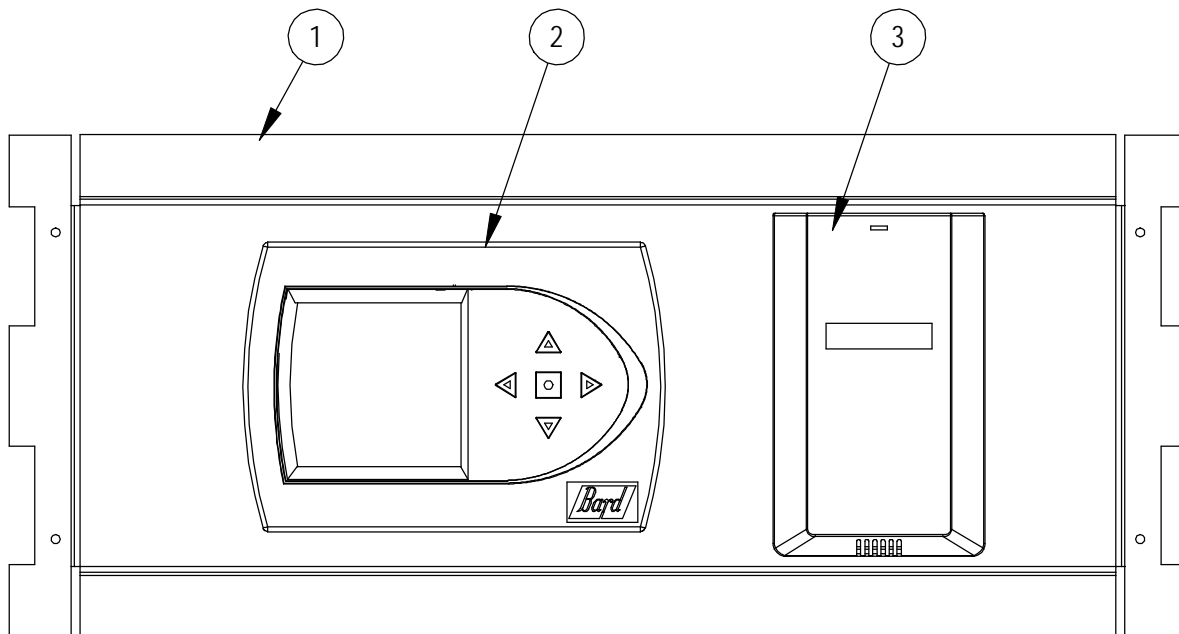
BLOWER ASSEMBLY COMPONENTS



BLOWER ASSEMBLY COMPONENTS

| Drawing No. | Part No. | Description | 900-301-002 | 900-299-002 | 900-300-003 | 900-300-004 |
|-------------|-----------------|-------------------------------|-------------|-------------|-------------|-------------|
| 1 | 5152-096 | Blower Wheel | X | X | | |
| 1 | 5152-011 | Blower Wheel | | | X | X |
| 2 | 5152-072 | Blower Wheel | X | X | | |
| 2 | 5152-012 | Blower Wheel | | | X | X |
| 3 | 8105-075-0066BX | 1/3 HP Programmed Motor | X | | | |
| 3 | 8106-073-0067BX | 1/2 HP Programmed Motor | | X | | |
| 3 | 8107-032-0068BX | 3/4 HP Programmed Motor | | | X | |
| 3 | 8107-032-0069BX | 3/4 HP Programmed Motor | | | | X |
| 4 | C8105-075-0066 | Programmed Motor Control Only | X | | | |
| 4 | C8106-073-0067 | Programmed Motor Control Only | | X | | |
| 4 | C8107-032-0068A | Programmed Motor Control Only | | | X | |
| 4 | C8107-032-0069A | Programmed Motor Control Only | | | | X |
| 5 | 113-380 | Blower Motor Control Bracket | X | X | X | X |
| 6 | 8200-040 | Dual Motor Mount | X | X | X | X |
| 7 | 5451-011 | Grommet | 6 | 6 | 6 | 6 |
| 8 | 165-572 | Blower Support Channel | 2 | 2 | 2 | 2 |
| 9 | 104-980 | Blower Angle | 4 | 4 | 4 | 4 |
| 10 | 151-117 | Blower Housing | 2 | 2 | | |
| 10 | 151-101 | Blower Housing | | | 2 | 2 |
| 11 | 144-167 | Diffuser | 2 | 2 | | |
| 11 | 144-166 | Diffuser | | | 2 | 2 |

OPTIONAL CLIMATE CONTROLS - ALL UNITS



SEXP-560

OPTIONAL CLIMATE CONTROLS – ALL UNITS

| Drawing No. | Part No. | Description | ALL UNITS | | | | | | | | |
|-------------|------------|--|-----------|----------|----------|----------|----------|----------|----------|----------|---|
| | | | Option X | Option D | Option H | Option K | Option 5 | Option 6 | Option 7 | Option 8 | |
| 1 | S127-313-* | Thermostat Plate | X | | | | | | | | |
| 1 | S127-308-* | Thermostat Plate | | X | | | | X | | X | |
| 1 | S127-372-* | Thermostat Plate | | | X | | | | | | |
| 1 | S127-409-* | CO ₂ Plate | | | | X | | | | | |
| 1 | S127-451-* | Control Opt. Plate | | | | | | X | | | X |
| 2 | 8403-060 | Electronic / Programmable Manual / Auto Changeover | | X | X | | | X | X | | |
| 2 | 8403-069 | Electronic / Programmable with BACnet | | | | | X | X | | | |
| 2 | 8403-071 | Electronic BACnet with IR Detection, 3H, 2C | | | | | | | | X | |
| 2 | 8403-075 | Electronic, Non-Programmable w/BACnet | | | | | | | | | X |
| 3 | 8403-067 | CO ₂ Sensor with Relay | | | X | X | | X | | | X |
| NS | 4115-100 | Wiring Diagram | | X | | | | | | | |
| NS | 4115-101 | Wiring Diagram | | | X | | | | | | |
| NS | 4115-102 | Wiring Diagram | X | | | | | | | | |
| NS | 4115-105 | Wiring Diagram | | | | X | | | | | |
| NS | 4115-110 | Wiring Diagram | | | | | X | | | X | |
| NS | 4115-111 | Wiring Diagram | | | | | | X | | | X |
| NS | 8607-021 | Terminal Strip 8 Terminal | X | | | | | | | | |
| NS | 8607-029 | Terminal Strip | X | | | X | | | | | |
| NS | 3000-1332 | Wire Assembly Thermostat Connection | X | | | X | | | | | |
| NS | 3000-1333 | Wire Assembly CO ₂ Control Connection | X | | | | | | | | |
| NS | 3000-1334 | Wire Assembly Thermostat Connection | | X | X | | | | | | |
| NS | 3000-1412 | Wire Assembly CO ₂ Control Connection | | | X | X | | X | | | X |
| NS | 3000-1421 | Wire Assembly Thermostat Connection | | | | | X | X | X | | X |

* Exterior cabinet parts are manufactured with various paint color options. To ensure the proper paint color is received, include the complete model number and serial number of the unit for which parts are being ordered.

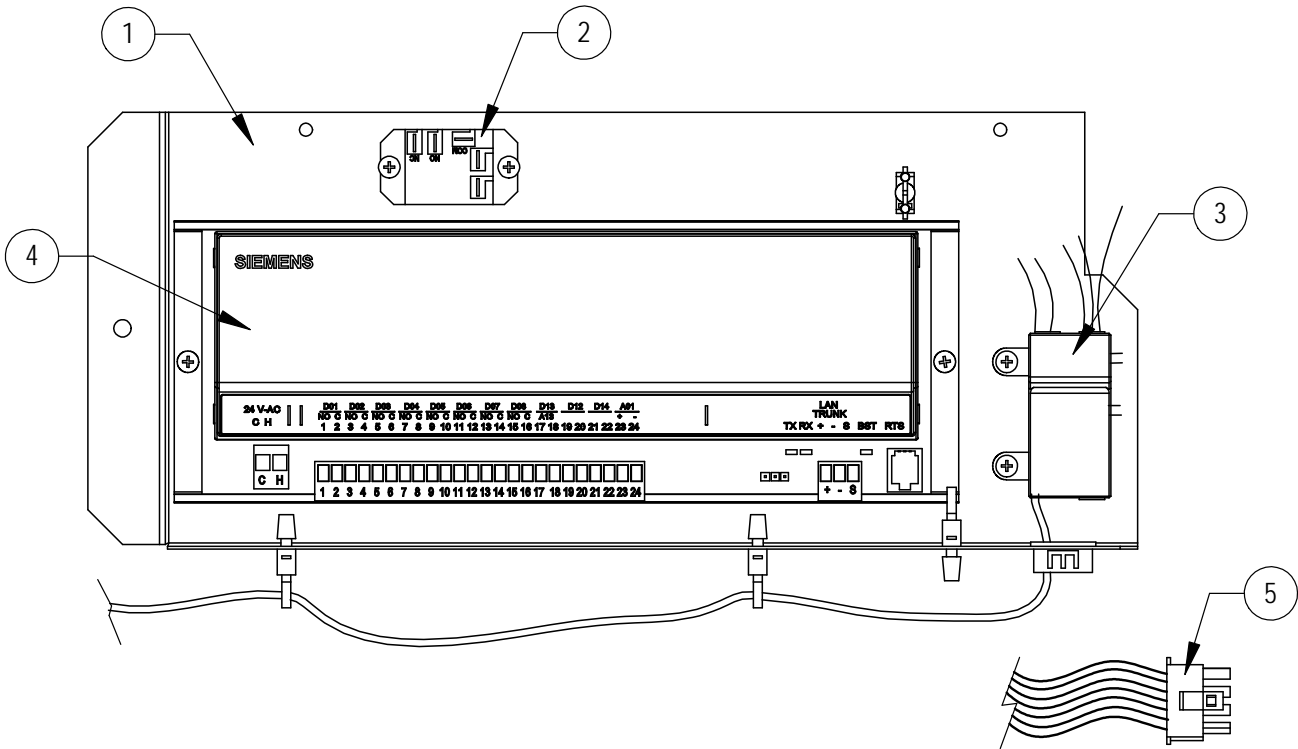
NS – Not Shown

CLIMATE CONTROL OPTION NOMENCLATURE AS SHOWN IN UNIT MODEL NUMBER

QW 3S2 - A 02 X X X X X X

- X – None
- D – Electronic, programmable, manual changeover
- H – Electronic, programmable, manual/auto changeover, CO₂ Control
- K – CO₂ Control with remote thermostat connection
- 5 – Viconics VT7652H5000B with BACnet
- 6 – Viconics VT7652H5000B with BACnet, CO₂ Control
- 7 – Viconics VT7600H5500B with BACnet, IR Sensing
- 8 – Viconics VT7600H5000B, Non-Programmable w/o PIR Window w/BACnet

OPTIONAL CLIMATE CONTROLS – OPTION S

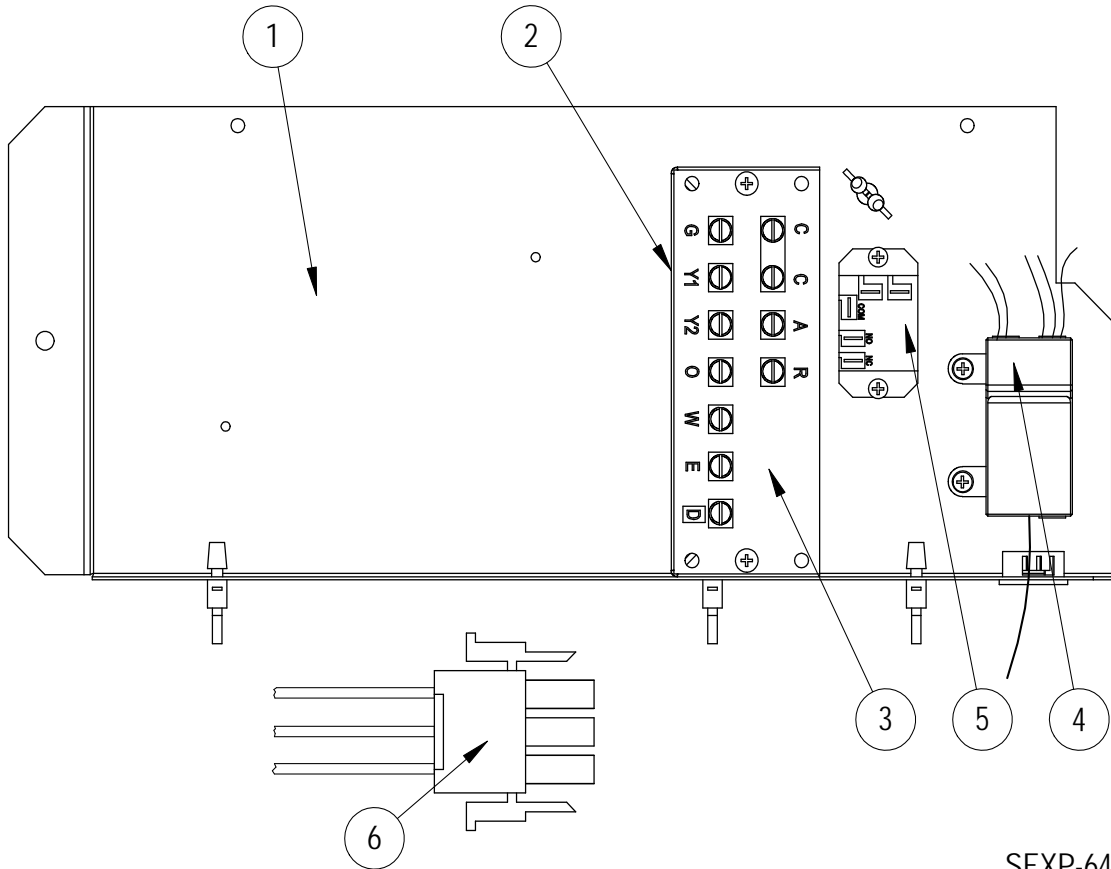


SEXP-639 A

OPTIONAL CLIMATE CONTROLS – OPTION S

| Drawing No. | Part No. | Description | Option S |
|-------------|-----------|----------------------------|----------|
| 1 | 117-325 | Control Panel | X |
| 2 | 8201-130 | Relay, SPDT, Pilot Duty | X |
| 3 | 8406-139 | Condensate Overflow Switch | X |
| 4 | 8403-068 | Siemens DDC Interface | X |
| 5 | 3000-1414 | Wire Harness | X |
| NS | 4115-106B | Wiring Diagram | X |
| NS | 133-122 | Control Panel Cover | X |

OPTIONAL CLIMATE CONTROLS - OPTION C

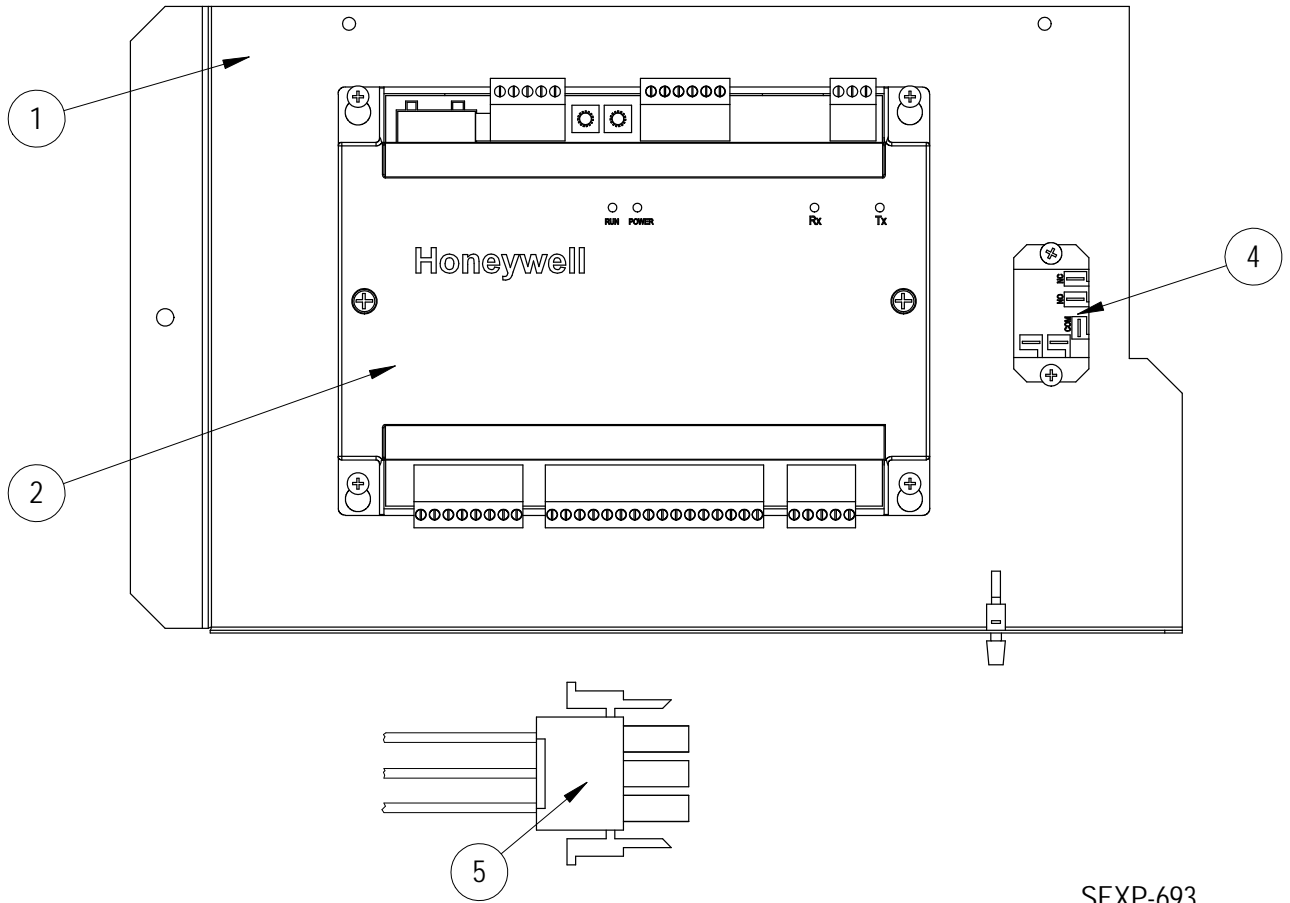


SEXP-646 A

OPTIONAL CLIMATE CONTROLS – OPTION C

| Drawing No. | Part No. | Description | Option C |
|--------------------|-----------------|----------------------------|-----------------|
| 1 | 117-328 | Control Panel | X |
| 2 | 117-329 | Low Voltage Control Box | X |
| 3 | 8607-029 | Low Voltage Terminal Strip | X |
| 4 | 8406-139 | Condensate Overflow Switch | X |
| 5 | 8201-130 | Relay, SPDT Pilot Duty | X |
| 6 | 3000-1415 | Wire Harness | X |
| NS | 4115-107 | Wiring Diagram | X |
| NS | 133-222 | Control Panel Cover | X |

OPTIONAL CLIMATE CONTROLS - OPTION L

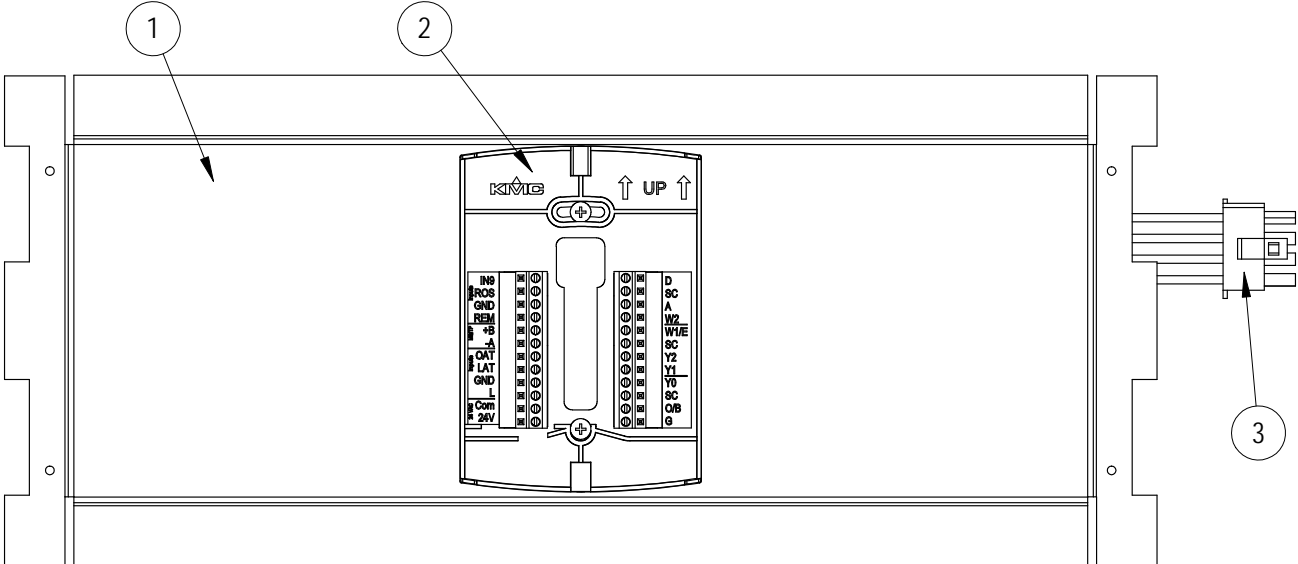


SEXP-693

OPTIONAL CLIMATE CONTROLS – OPTION L

| Drawing No. | Part No. | Description | Option L |
|-------------|-----------|---|----------|
| 1 | 117-342 | Control Panel | X |
| 2 | 8403-072 | Honeywell DDC Interface | X |
| 4 | 8201-130 | Relay, SPDT, Pilot Duty | X |
| 5 | 3000-1439 | 12-Pin Male Plug with 8 Wires | X |
| 5 | 3000-1440 | 6-Pin Male Plug with 2 Wires | X |
| 5 | 3000-1441 | 6-Pin Female Plug with 7 Wires | X |
| 5 | 3000-1442 | 6-Pin Male Plug with Sheathed Wire | X |
| NS | 8408-046 | 20K Discharge Air Sensor | X |
| NS | 8403-067 | C02 Controller (Mounted on Door) | X |
| NS | 8403-073 | 20K Room Temperature Sensor (Mounted on Door) | X |

OPTIONAL CLIMATE CONTROLS – OPTIONS 1-4

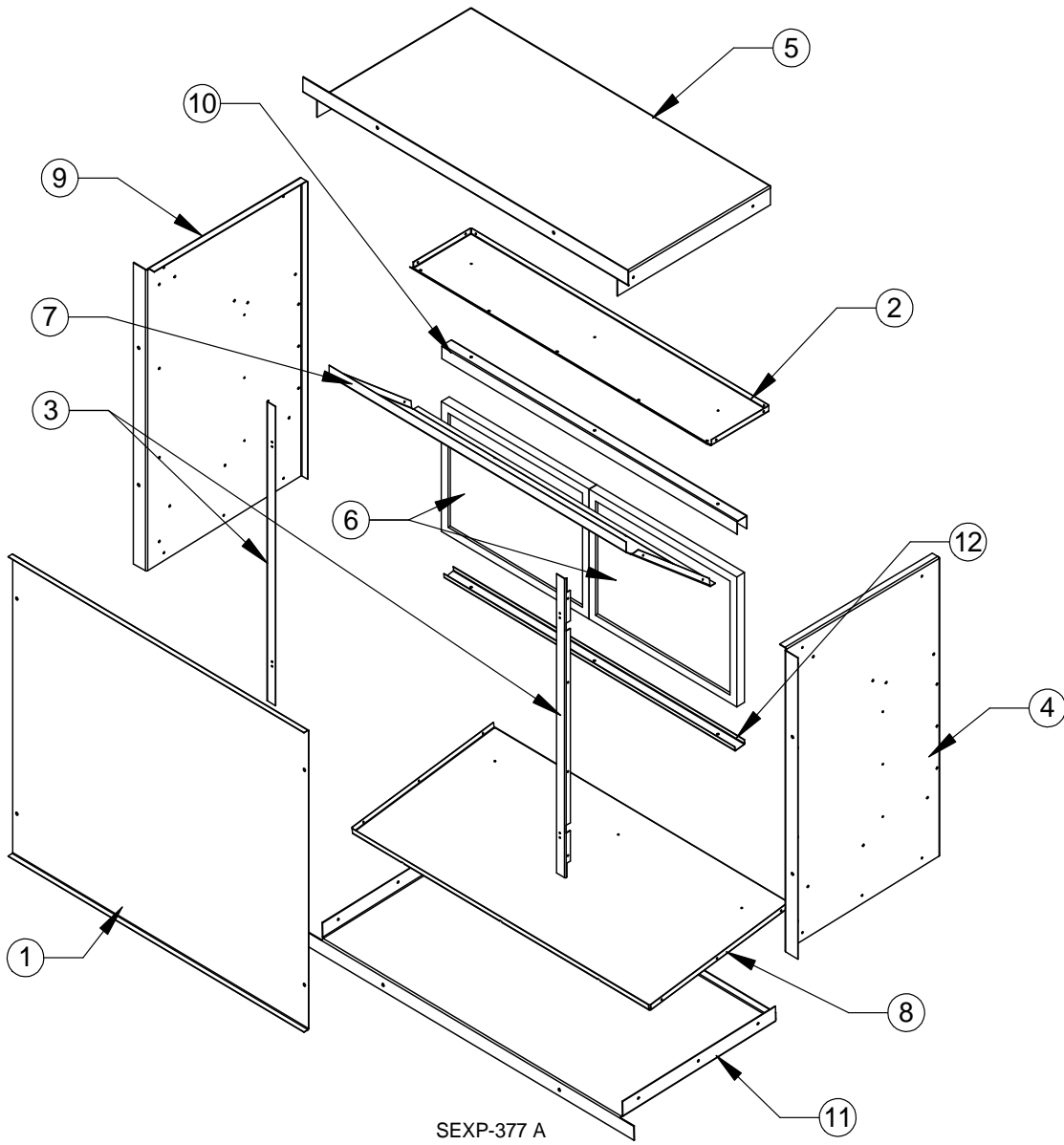


SEXP-1042

OPTIONAL CLIMATE CONTROLS – OPTIONS 1-4

| Drawing No. | Part No. | Description | Option 1 | Option 2 | Option 3 | Option 4 |
|-------------|-------------|---|----------|----------|----------|----------|
| 1 | 127-427-* | Thermostat Mounting Plate | X | X | X | X |
| 2 | CS9B-THOA | CompleteStat TEMP/HUM/OCC | X | | | |
| 2 | CS9B-THOCA | CompleteStat TEMP/HUM/OCC/CO2 | | X | | |
| 2 | CS9BE-THOA | CompleteStat TEMP/HUM/OCC with BACnet | | | X | |
| 2 | CS9BE-THOCA | CompleteStat TEMP/HUM/OCC/CO2 with BACnet | | | | X |
| 3 | 3000-1704 | Wire Assembly | X | X | X | X |

WALL SLEEVE CABINET COMPONENTS



WALL SLEEVE CABINET COMPONENTS

| Drawing No. | Part No. | Description | QWVS42 |
|--------------------|-----------------|-----------------------|---------------|
| 1 | 142-076 | Cover | X |
| 2 | 121-350-X | Top Partition | X |
| 3 | 105-1103-X | Angle | 2 |
| 4 | 110-073-X | Right Side | X |
| 5 | 110-074-X | Top | X |
| 6 | 7003-056 | Mist Eliminator | 2 |
| 7 | 111-076-X | Air Deflector | X |
| 8 | 121-349-X | Partition | X |
| 9 | 110-072-X | Left Side | X |
| 10 | 165-566-X | Upper Support Channel | X |
| 11 | 110-075-X | Base | X |
| 12 | 165-567-X | Lower Support Channel | X |