
REPLACEMENT PARTS MANUAL

QC Series Chilled Water Unit

Models:

QC501-A QC501-K QC501-L

Contents

Description	Page
Cabinet Components	
♦ Exploded View	2
♦ Usage List	3
♦ Usage List	4
Functional Components	
♦ Exploded View	6
♦ Usage List	7
Upper Control Panel Components	
♦ Layout View	8
♦ Usage List	9
Blower Assembly Components	
♦ Exploded View	10
♦ Usage List	11
Optional Climate Control Components	
♦ Layout View	12
♦ Usage List	13
Wall Sleeve Cabinet Components	
♦ Exploded View	14
♦ Usage List	15

General Notes

- Revised and/or additional pages may be issued from time to time.
- A complete and current manual consists of pages shown in the following contents section.

Important

- Contact the installing and/or local Bard distributor for all parts requirements. Be sure to have the complete model and serial number available from the unit rating plate.

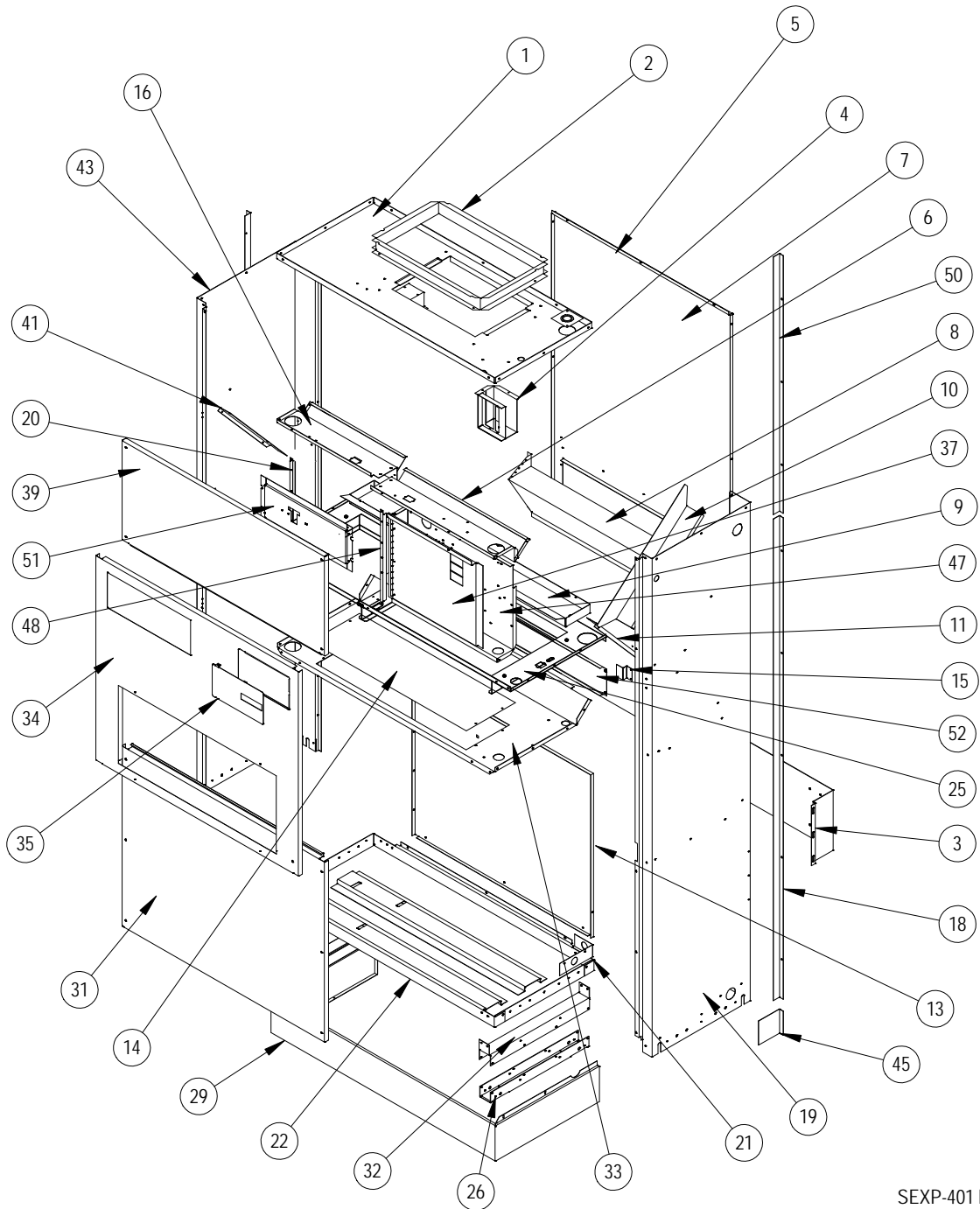


Climate Control Solutions

Bard Manufacturing Company, Inc.
Bryan, Ohio 43506
www.bardhvac.com

Manual: 2110-544M
Supersedes: 2110-544L
Date: 6-18-21

CABINET COMPONENTS



SEXP-401 B

This exploded view is referenced in tables on pages 3 and 4

CABINET COMPONENTS

Drawing No.	Part No.	Description	QC501-A	QC501-K	QC501-L
1	506-253	Top Assembly	X	X	X
2	110-044	Outlet Duct Flange	2	2	2
3	112-289	Wall Bracket	2	2	2
4	117-249	Low Voltage Box Assembly DDC (Opt.)	X	X	X
5	136-359	T.K.O. Plate	X	X	X
6	534-191	Evaporator Coil Shield – Right	X	X	X
7	508-133	Back Assembly	X	X	X
8	538-106	Fresh Air Damper	X	X	X
9	523-104	Evaporator Drain Pan Assembly	X	X	X
10	134-154	Wire Channel	X	X	X
11	140X277	Right Evaporator Support	X	X	X
13	508-164	Lower Back	X	X	X
14	520-346	Condenser Partition Assembly	X	X	X
15	103-443	Door Latch Offset	X	X	X
16	534-190	Evaporator Coil Shield – Left	X	X	X
18	S135-177-* ①	Side Trim – Lower	2	2	2
19	500-405-* ①	Right Side Assembly	X	X	X
20	104-1096	Right Thermostat Support Angle	X	X	X
21	112-278	Drain Bracket	X	X	X
22	527-310-X	Lower Base Assembly	X	X	X
25	919-0011	Filter Partition Assembly	X	X	X
26	140-276	Lower Roller Support	2	2	2
29	534-155-6	Base Trim Assembly	X	X	X
31	552-349-* ①	Condenser Door Assembly	X	X	X
32	140-280	Upper Roller Support	2	2	2
33	536-351	Condenser Blank Off Plate	X	X	X
34	552-330-* ①	Filter Door Assembly	X	X	X
35	152-336-* ①	Circuit Breaker Door	X	X	X
<i>Continued on page 4</i>					

① Exterior cabinet parts are manufactured with various paint color options. To ensure the proper paint color is received, include the complete model and serial number of the unit for which cabinet parts are being ordered.

CABINET COMPONENTS

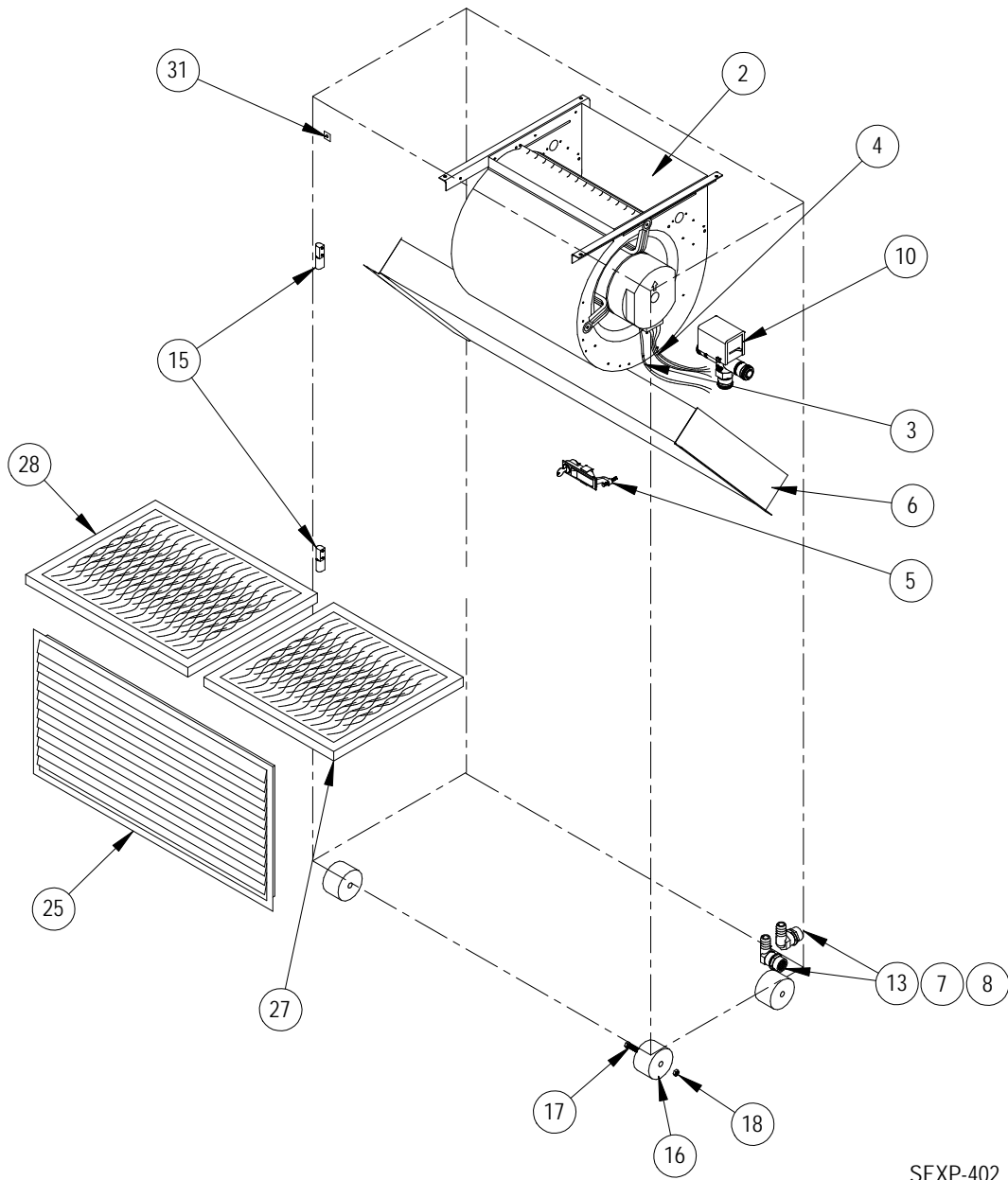
Drawing No.	Part No.	Description	QC501-A	QC501-K	QC501-L
<i>Continued from page 3</i>					
37	132-176	Circuit Breaker Door Inner		X	
37	132-165	Circuit Breaker Door Inner	X		X
39	552-331-* ①	Blower Door Assembly	X	X	X
41	140Y277	Left Evaporator Support	X	X	X
43	500-404-* ①	Left Side Assembly	X	X	X
45	135-165-* ①	Base Trim Extension	2	2	2
47	See page 8	Control Panel Assembly	X	X	X
48	104-1096	Left Thermostat Support Bracket	X	X	X
50	S135-178-* ①	Side Trim – Upper	2	2	2
51	See page 12	Thermostat Mounting Plate	X	X	X
52	542-077	Discharge Blank Off Plate	X	X	X
NS	133-174	Low Voltage Box Cover	X	X	X

① Exterior cabinet parts are manufactured with various paint color options. To ensure the proper paint color is received, include the complete model and serial number of the unit for which cabinet parts are being ordered.

This table references exploded view on page 2

This page intentionally left blank

FUNCTIONAL COMPONENTS

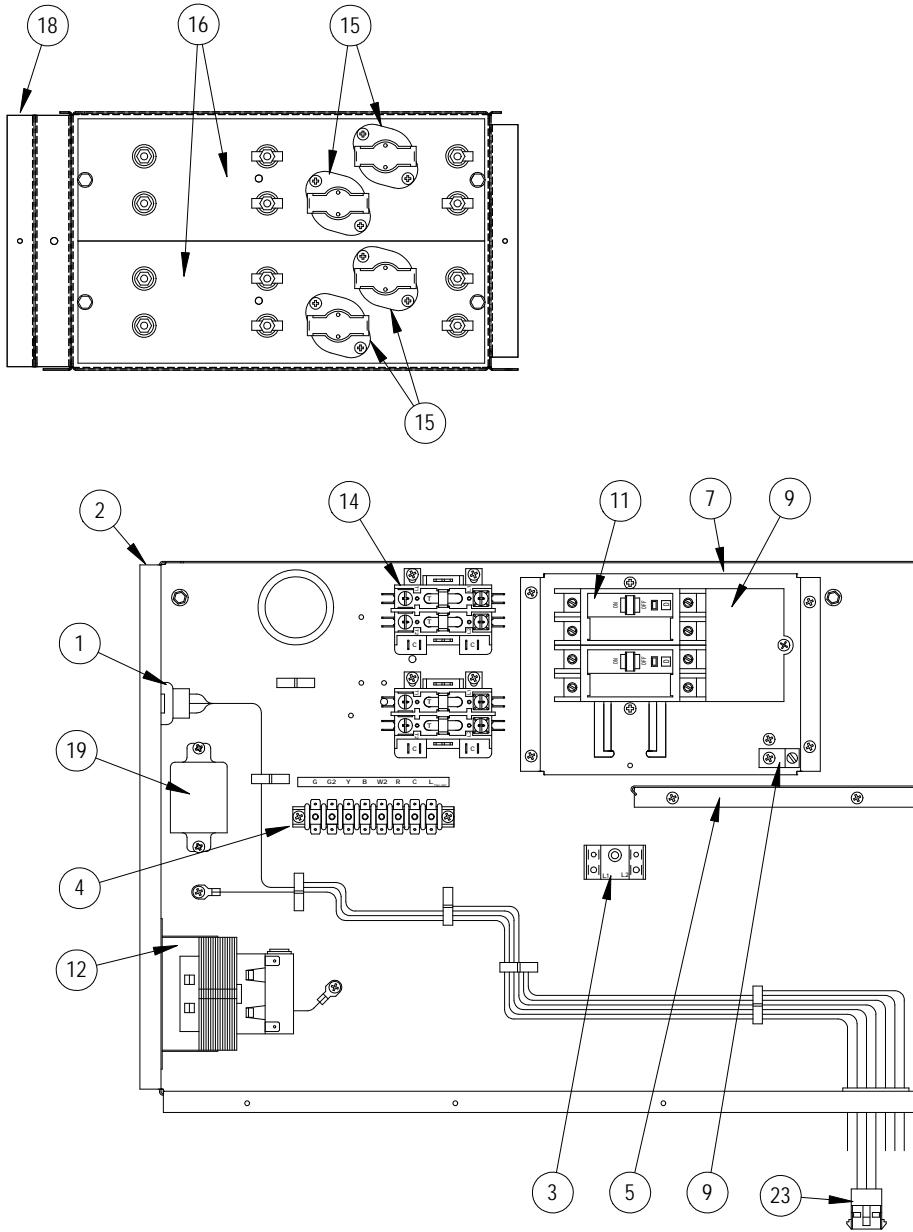


SEXP-402

FUNCTIONAL COMPONENTS

Drawing No.	Part No.	Description	QC501-A	QC501-K	QC501-L
2	S900-225-004	Blower Assembly	X		
2	S900-225-007	Blower Assembly		X	
2	S900-386-001	Blower Assembly			X
3	3000-1171	Wire Harness High Voltage		X	
3	3000-1046	Wire Harness High Voltage	X		X
4	3000-1042	Wire Harness Low Voltage	X	X	X
5	1171-049	Keylatch/Circuit Breaker Door	X	X	X
6	5060-116BX	Evaporator Coil	X	X	X
7	6094-008	Drain Adapter	2	2	2
8	6094-007	Drain Elbow	2	2	2
10	5650-035	Water Valve	2	2	2
13	6094-003	Drain Fitting	2	2	2
15	5400-005	Hinge	2	2	2
16	1171-035	Wheel	4	4	4
17	1012-129	Bolt – Shoulder	4	4	4
18	1012-224	Nut – Locking	4	4	4
25	7051-034	Return Air Grille (for Beige & Buckeye Gray Units)	X	X	X
25	7051-061	Return Air Grille (for Vinyl Units)	X	X	X
27	7004-009	Air Filter	X	X	X
27	7004-032	Filter 2" Fiberglass (Optional)	X	X	X
27	7004-034	Filter 2" Pleated (Optional)	X	X	X
28	7004-010	Air Filter	X	X	X
28	7004-033	Filter 2" Fiberglass (Optional)	X	X	X
28	7004-035	Filter 2" Pleated (Optional)	X	X	X
31	1012-315	"U" Clip Fastener	10	10	10
NS	4100-110	Wiring Diagram	X		
NS	4100-701	Wiring Diagram		X	
NS	4100-128	Wiring Diagram			X

UPPER CONTROL PANEL COMPONENTS



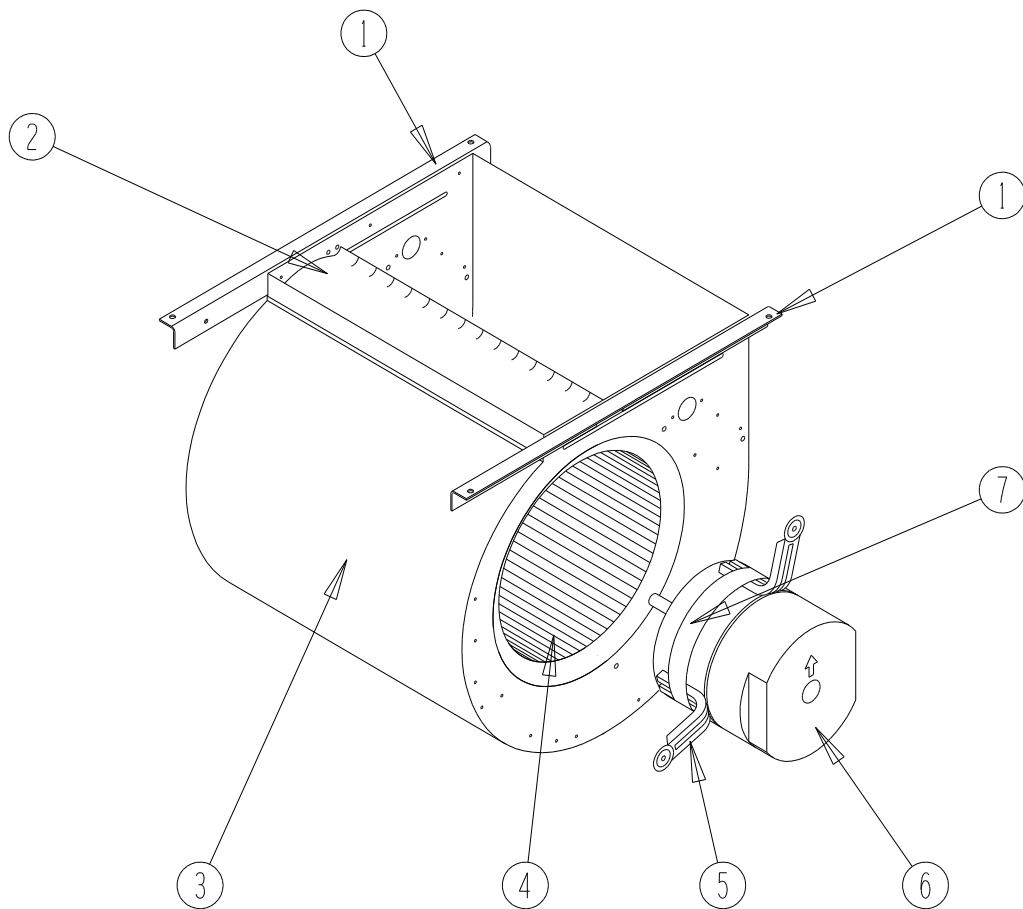
SEXP-403

UPPER CONTROL PANEL COMPONENTS

Drawing No.	Part No.	Description	QC501-A0Z	QC501-A05	QC501-A10	QC501-A15	QC501-K0Z	QC501-L0Z
1	3000-1195	Wire Set P2	X	X	X	X	X	X
2	117-241	Control Panel	X	X	X	X	X	X
3	8607-017	Terminal Block	X	X	X	X	X	X
4	8607-022	Terminal Block	X	X	X	X	X	X
5	117-242	Box Partition	X	X	X	X	X	X
7	127-267	Circuit Breaker Base	X	X	X	X	X	
7	127-599	Circuit Breaker Base						X
9	8611-006	Ground Lug	X	X	X	X	X	X
10	8615-047	Jumper Bar Base				X		
11	8615-060	Circuit Breaker 2 Pole 15A Ckt A	X					
11	8615-038	Circuit Breaker 2 Pole 35A Ckt A		X				
11	8615-055	Circuit Breaker 2 Pole 40A Ckt A				X		
11	8615-040	Circuit Breaker 2 Pole 50A Ckt B				X		
11	8615-041	Circuit Breaker 2 Pole 60A Ckt A			X			
11	8615-070	Circuit Breaker 1 Pole 15A Ckt A					X	
11	8615-113	Circuit Breaker 2 Pole 10A (277V)						X
12	8407-048	Transformer	X	X	X	X		
12	8407-039	Transformer					X	
12	8407-075	Transformer						X
14	8401-006	Contactor		X		X		
14	8401-025	Contactor			X	X		
15	8402-100	Limits		1	2	3		
16	8604-103	Heat Strip 5 KW		X		X		
16	8604-104	Heat Strip 10 KW			X	X		
18	116-191	Heat Strip Wrapper		X	X	X		
23	3000-1148	Wire Set	X	X	X	X		X
23	3000-1171	Wire Set					X	
NS	132-145	Heat Strip Cover		X	X	X		
NS	4101-110	Wiring Diagram		X				
NS	4101-111	Wiring Diagram			X			
NS	4101-112	Wiring Diagram				X		
NS	4101-113	Wiring Diagram	X					X

NS = Not Shown

BLOWER ASSEMBLY COMPONENTS

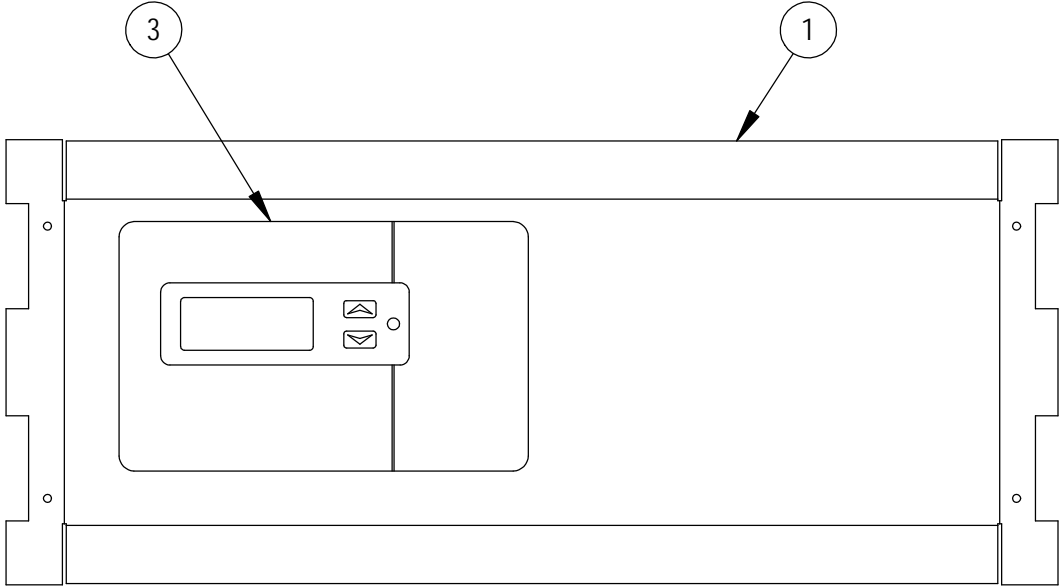


SEXP-245

BLOWER ASSEMBLY COMPONENTS

Drawing No.	Part No.	Description	900-225-007	900-225-004	900-386-001
1	104-980	Blower Angle	2	2	2
2	144-131	Diffuser	X	X	X
3	151-110	Blower Housing	X	X	X
4	5152-061	Blower Wheel	X	X	X
5	8620-034	Motor Mount Arm	1	1	1
6	8106-051-0027	1/2 HP ECM Motor w/Programmed Control	X		
6	C8106-051-0027	Programmed Motor Control Only	X		
6	S8106-051-0005B	1/2 HP ECM Motor w/Programmed Control		X	X
6	C8106-051-0005B	Programmed Motor Control Only		X	X
6	8106-076-0214	1/2 HP ECM Motor w/Programmed Control			X
7	8620-034	Motor Mount Band	X	X	

OPTIONAL CLIMATE CONTROLS



SEXP-404

OPTIONAL CLIMATE CONTROLS

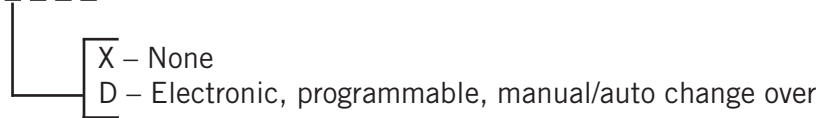
Drawing No.	Part No.	Description	QC501	
			Option X	Option D
1	S127-313-* ①	Thermostat Plate	X	
1	S127-308-* ①	Thermostat Plate		X
3	8403-060	Electronic/Programmable/Manual/Auto Change Over		X
NS	3000-1194	Wire Harness, Low Voltage, Terminal Strip to PL2	X	
NS	3000-1172	Wire Harness, Thermostat to PL2		X
NS	4102-029	Wiring Diagram	X	
NS	4102-049	Wiring Diagram		X

① Exterior cabinet parts are manufactured with various color options. To ensure the proper color is received, include the complete models and serial number of the unit for which parts are being ordered.

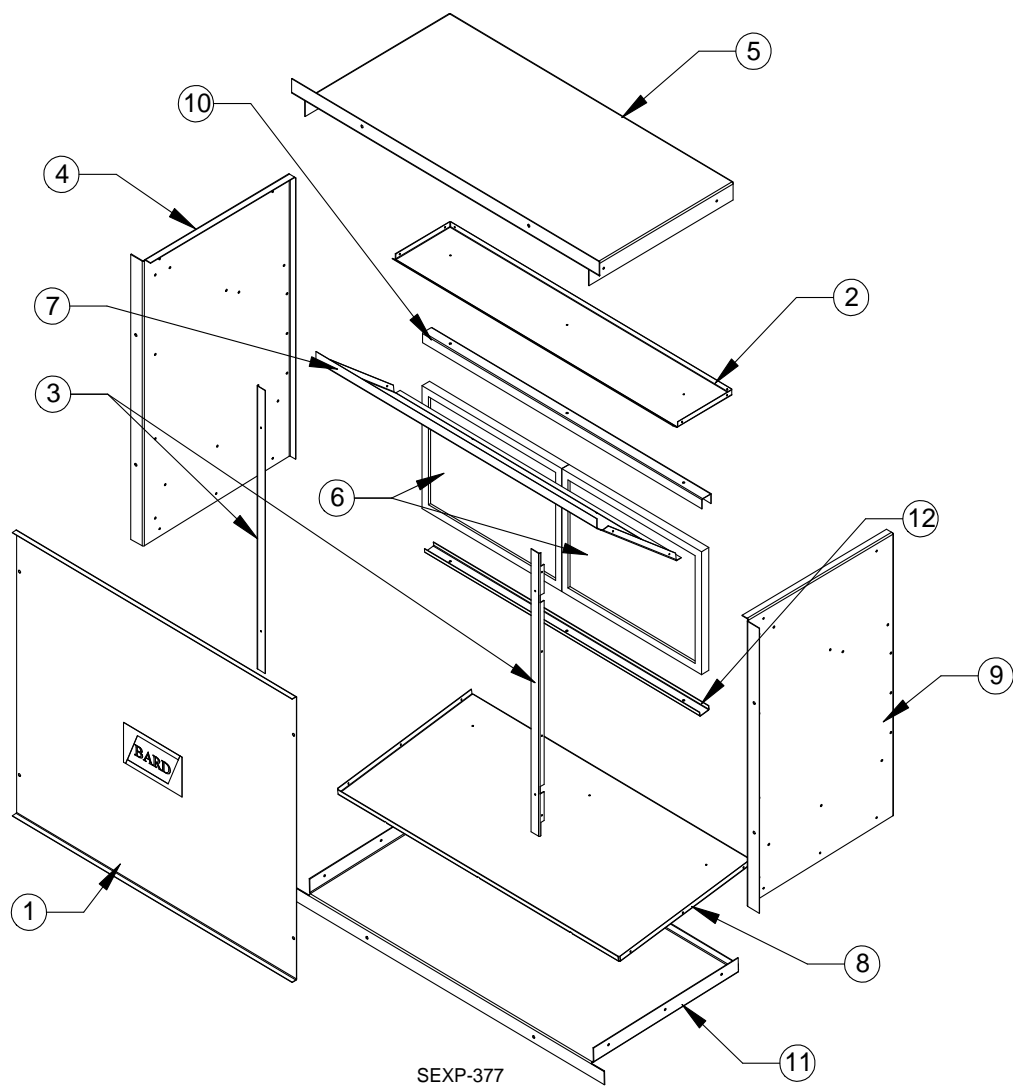
NS = Not Shown

CLIMATE CONTROL OPTION NOMENCLATURE AS SHOWN IN UNIT MODEL NUMBER

QC 501 - A 05 X X X X X X



WALL SLEEVE CABINET COMPONENTS



WALL SLEEVE CABINET COMPONENTS

Drawing No.	Part No.	Description	QWVS42
1	142-076	Cover	X
2	121-350-X	Top Partition	X
3	104-1103-X	Angle	2
4	110-073-X	Left Side	X
5	110-074-X	Top	X
6	7003-056	Mist Eliminator	2
7	111-076-X	Air Deflector	X
8	121-349-X	Partition	X
9	110-072-X	Right Side	X
10	165-566-X	Upper Support Channel	X
11	110-075-X	Base	X
12	165-567-X	Lower Support Channel	X