
REPLACEMENT PARTS MANUAL

WALL MOUNTED PACKAGE HEAT PUMPS

Models: **WH301D**
WH361D

General Notes

- Revised and/or additional pages may be issued from time to time.
- A complete and current manual consists of pages shown in the following contents section.

Important

- Contact the installing and/or local Bard distributor for all parts requirements. Make sure you have the complete model and serial number available from the unit rating plate.

Contents

Description	Page
Cabinet Components	
♦ Exploded View	1
♦ Usage List	2
Functional Components	
♦ Exploded View	3
♦ Usage List	4
Control Panel	
♦ Layout View	5
♦ Usage List	6
Blower Housing	
♦ Exploded View	7
♦ Usage List	7

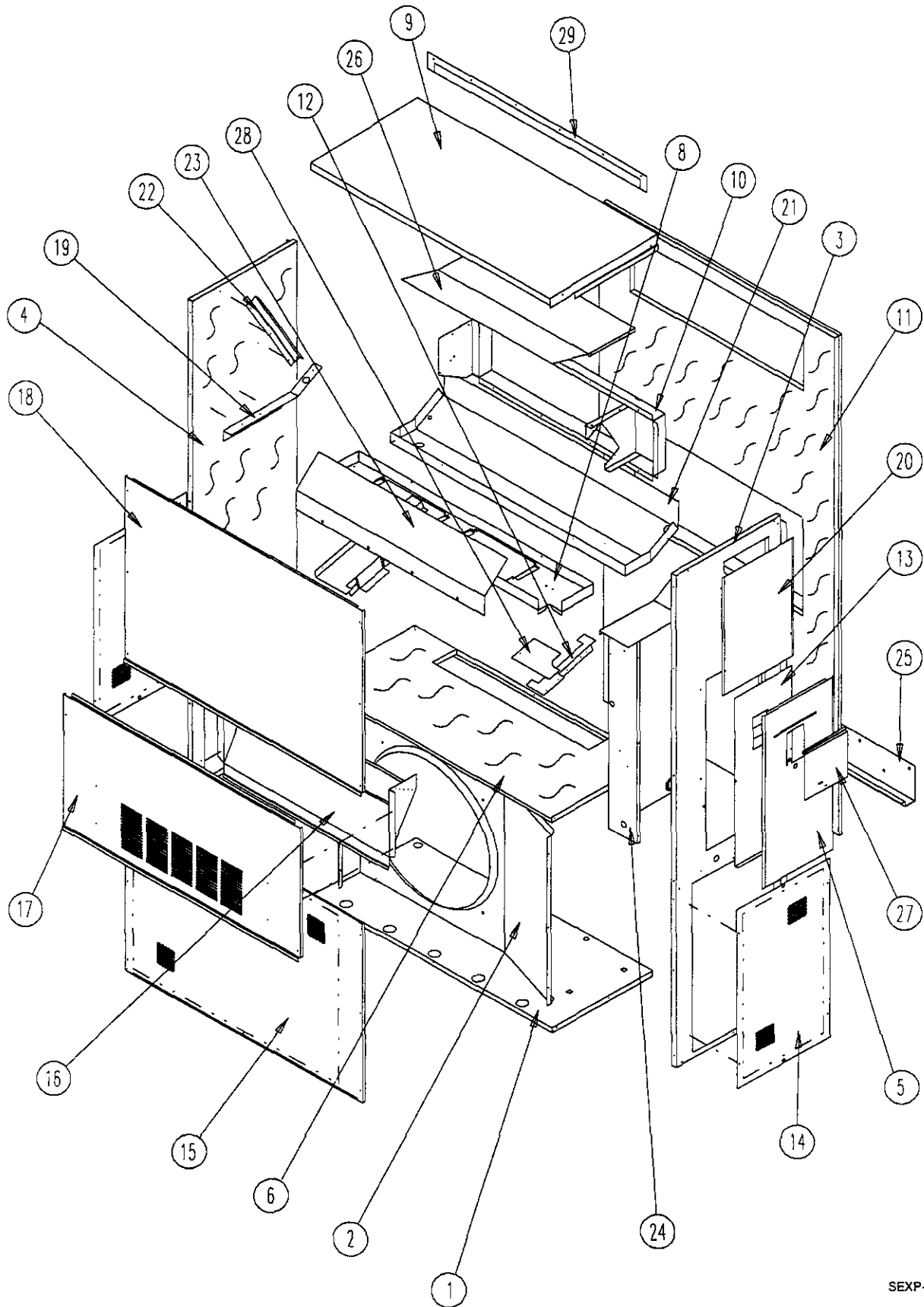


BARD MANUFACTURING COMPANY
Bryan, Ohio 43506

Since 1914...Moving ahead, just as planned.

Manual: 2110-530
Supersedes:
File: Tab 17
Date: 07-08-99

CABINET COMPONENTS



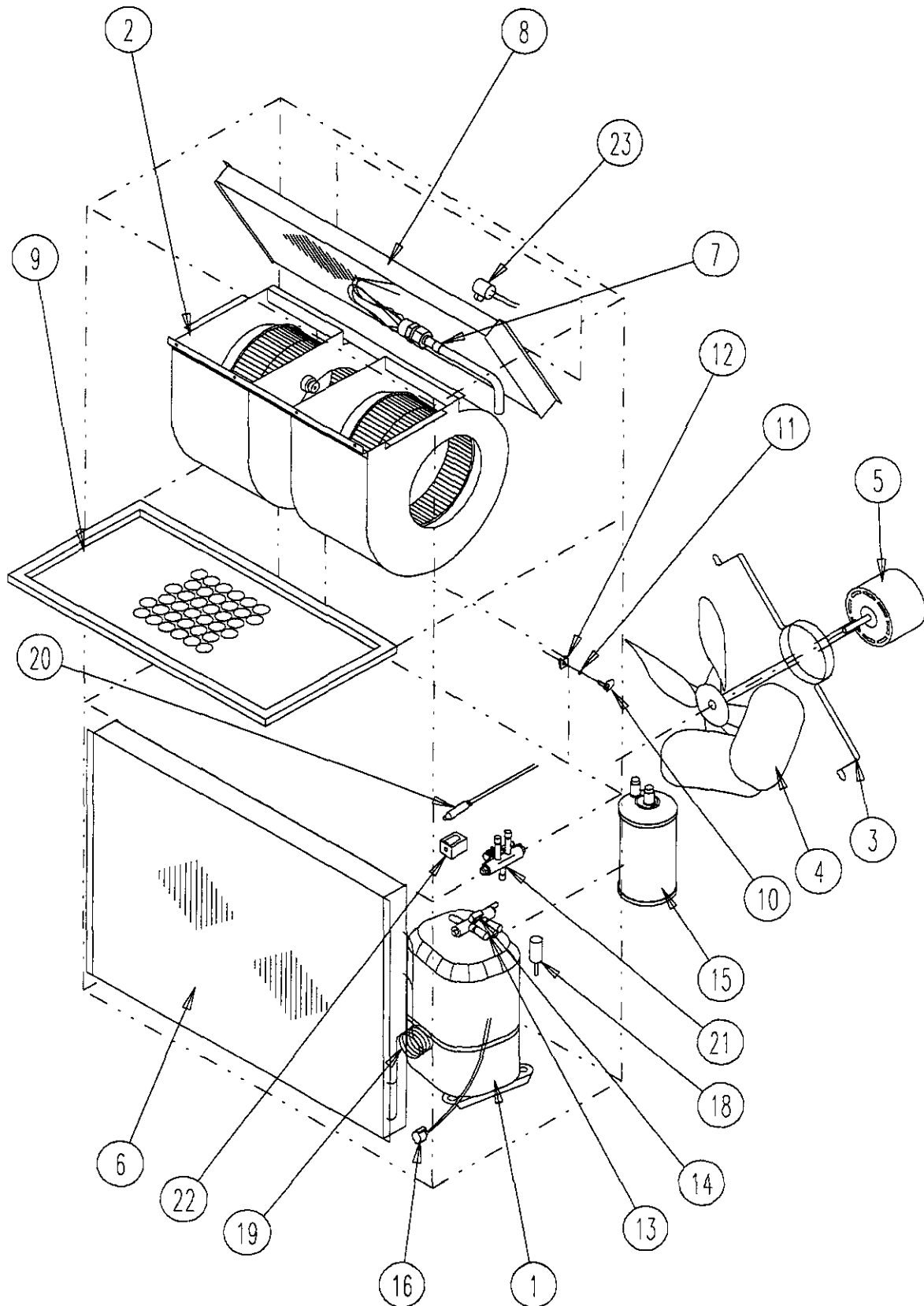
SEXP-160

CABINET COMPONENTS

Drawing No.	Part No.	Description	WH301DA, DB	WH301DC	WH361DA, DB	WH361DC
1	S127-199	Lower Base	X	X	X	X
2	125-022	Fan Shroud	X	X	X	X
3	S500-228-* ①	Right Side	X	X	X	X
4	S500-229-* ①	Left Side	X	X	X	X
5	S533-109-* ①	Control Panel Cover (Outer)	X	X	X	X
6	S520-331	Condenser Partition	X	X	X	X
8	121-182	Blower Partition	X	X	X	X
9	S506-130-* ①	Top	X	X	X	X
10	S111-030	Outlet Airframe Assembly	X	X	X	X
11	S508-088	Back	X	X	X	X
12	113-195	Filter Bracket	X	X	X	X
13	S133-104	Control Panel Cover (Inner)	X		X	
13	S133-110	Control Panel Cover (Inner)		X		X
14	118-028-* ①	Side Grille	2	2	2	2
15	118-029-* ①	Condenser Grille	X	X	X	X
16	BFAD-3	Fresh Air Damper Assembly	X	X	X	X
17	S552-206-* ①	Service Door	X	X	X	X
18	S514-072-* ①	Upper Front	X	X	X	X
19	105-850	Left Side Support	X	X	X	X
20	143-034-* ①	Right Side Cover Plate (Outer)	X	X	X	X
21	S123-078	Drain Pan	X	X	X	X
22	147-044-* ①	Left Evaporator Support	X	X	X	X
23	135-124	Air Baffle	X	X	X	X
24	Control Panel Assy	See Control Panel Assembly Drawing	X	X	X	X
25	113-140	Bottom Mounting Bracket	1	1	1	1
26	135-123	Heat Shield	X	X	X	X
27	S153-218-* ①	Disconnect Access Door	X	X	X	X
28	137-259	Fill Plate	X	X	X	X
29	113-149-* ①	Top Rain Flashing	X	X	X	X

① Exterior cabinet parts are manufactured with various paint color options. To insure that you receive the proper paint color, you must include the complete model and serial number of the unit for which cabinet parts are being ordered.

FUNCTIONAL COMPONENTS



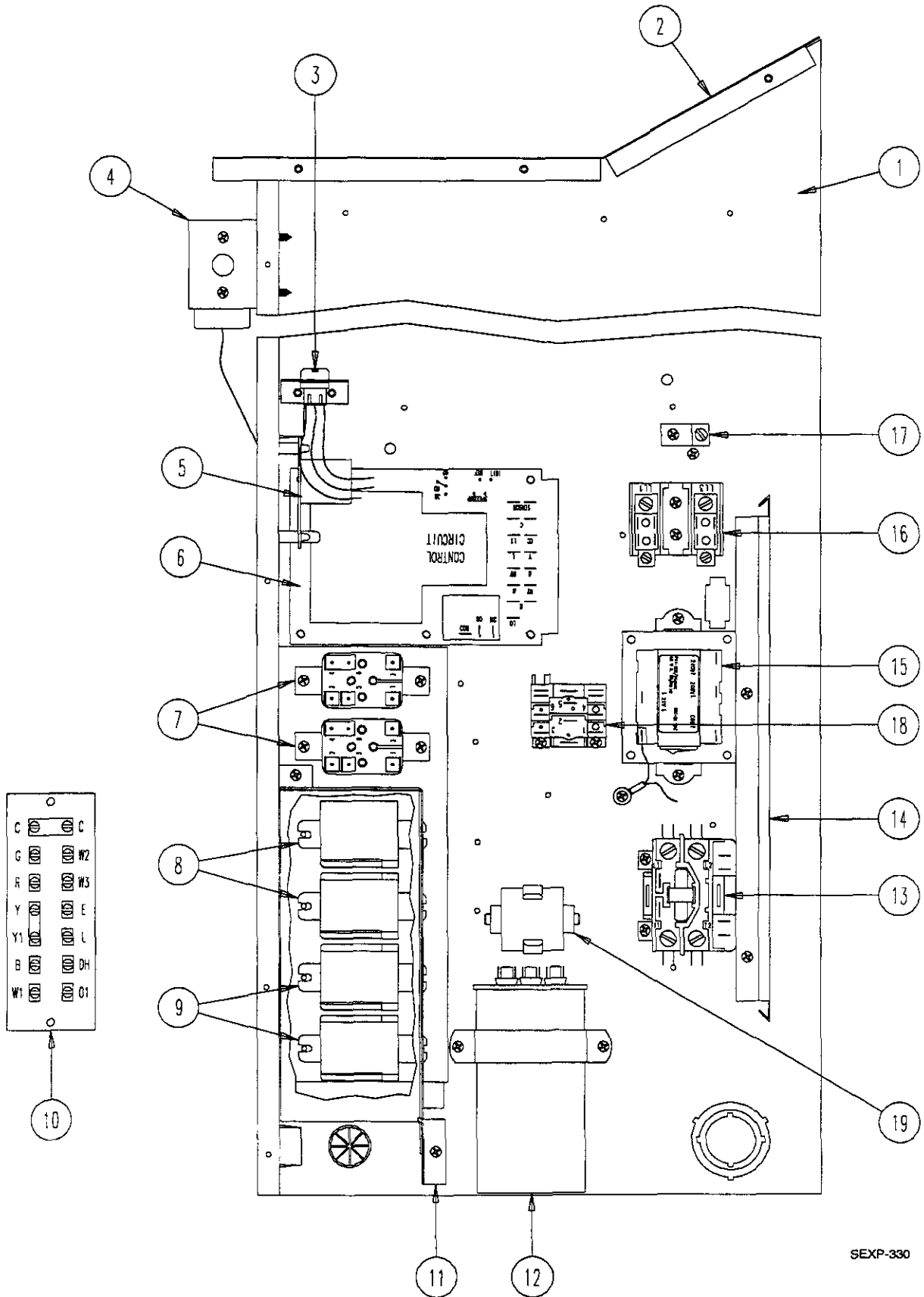
SEXP-331

FUNCTIONAL COMPONENTS

Drawing No.	Part No.	Description	WH301DA	WH301DB	WH301DC	WH361DA	WH361DB	WH361DC
1	8000-132	Compressor	X					
1	8000-135	Compressor		X				
1	8000-136	Compressor			X			
1	8000-125	Compressor				X		
1	8000-133	Compressor					X	
1	8000-134	Compressor						X
2	S900-179	Blower Assembly	X	X		X	X	
2	S900-180	Blower Assembly			X			X
3	8202-001	Fan Motor Mount	X	X	X	X	X	X
4	5151-045	Fan Blade	X	X	X	X	X	X
5	8103-013	Condenser Motor	X	X		X	X	
5	8103-020	Condenser Motor			X			X
6	5051-067	Condenser Coil	X	X	X			
6	5051-065	Condenser Coil				X	X	X
7	5651-156	TXV - Cooling	X	X	X	X	X	X
8	917-0043	Evaporator Coil Assembly	X	X	X	X	X	X
9	7004-019	Air Filter 1" Throwaway	X	X	X	X	X	X
9	7004-031	Air Filter 1" Washable	X	X	X	X	X	X
9	7004-026	Air Filter 2" Pleated	X	X	X	X	X	X
10	1171-022	1/4" Turn Fastner	X	X	X	X	X	X
11	1171-024	1/4" Turn Retainer	X	X	X	X	X	X
12	1171-023	1/4" Receptacle	X	X	X	X	X	X
13	5650-021	Reversing Valve	X	X	X	X	X	X
14	5650-022	Reversing Valve Solenoid	X	X	X	X	X	X
15	5202-016	Accumulator	X	X	X	X	X	X
16	8408-027	Defrost Sensor	X	X	X	X	X	X
18	8406-055	High Pressure Switch (Solder)	X	X	X	X	X	X
19	800-0278	Heating Distributor Assembly				X	X	X
19	800-0298	Heating Distributor Assembly	X	X	X			
20	800-0277	Drain Back Assembly	X	X	X	X	X	X
21	5650-026	Three Way Valve	X	X	X	X	X	X
22	5650-027	Solenoid Coil	X	X	X	X	X	X
23	8408-038	Freeze Thermostat	X	X	X	X	X	X
NS	1804-0106	High Pressure Switch (Flare) (Opt.)	X	X	X	X	X	X
NS	1804-0107	Low Pressure Switch (Flare) (Opt.)	X	X	X	X	X	X
NS	CMA-6	Low Ambient Control (Flare) (Opt.)	X	X	X	X	X	X

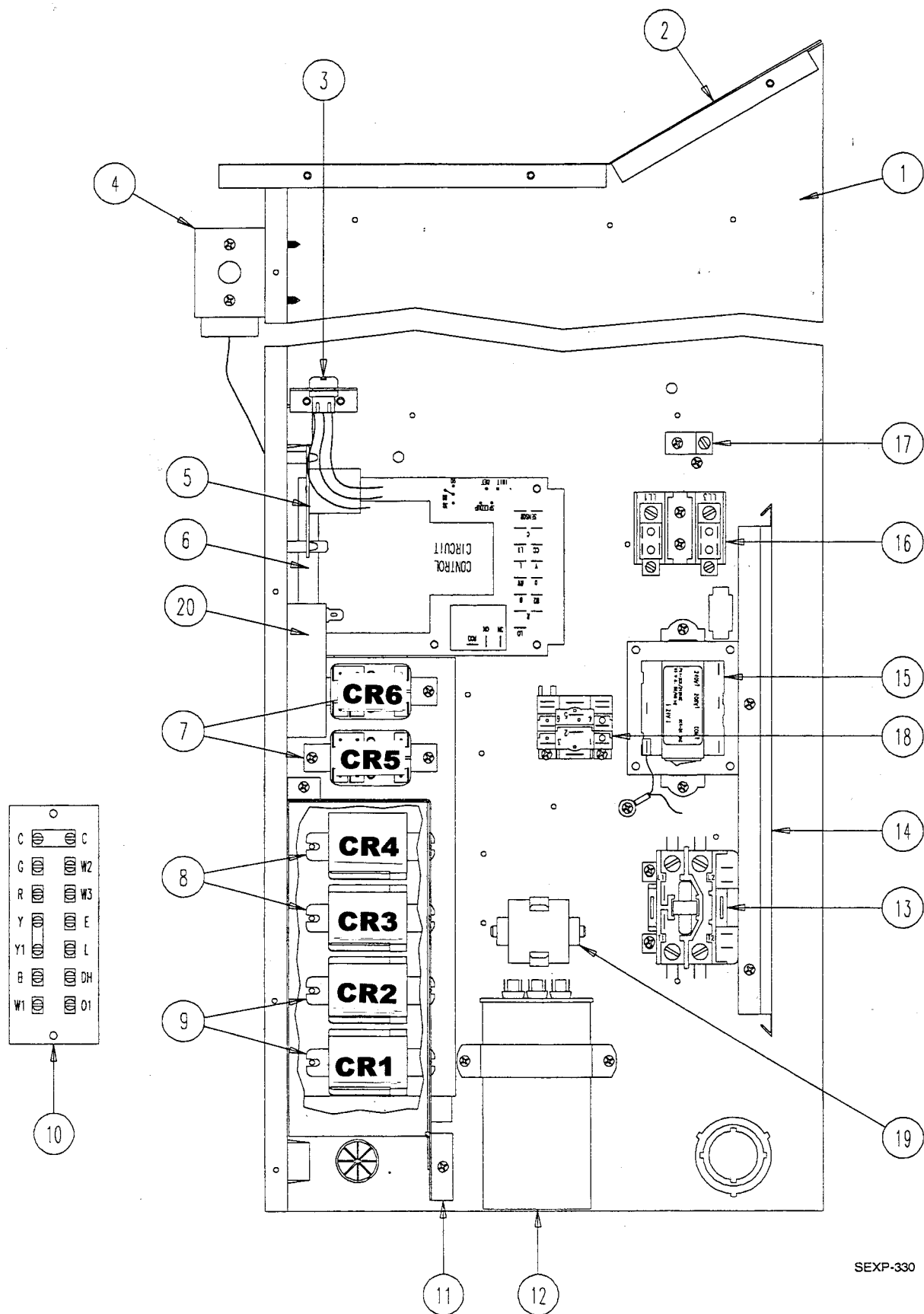
NS = Not Shown
Opt. = Optional

CONTROL PANEL COMPONENTS



SEXP-330

CONTROL PANEL COMPONENTS



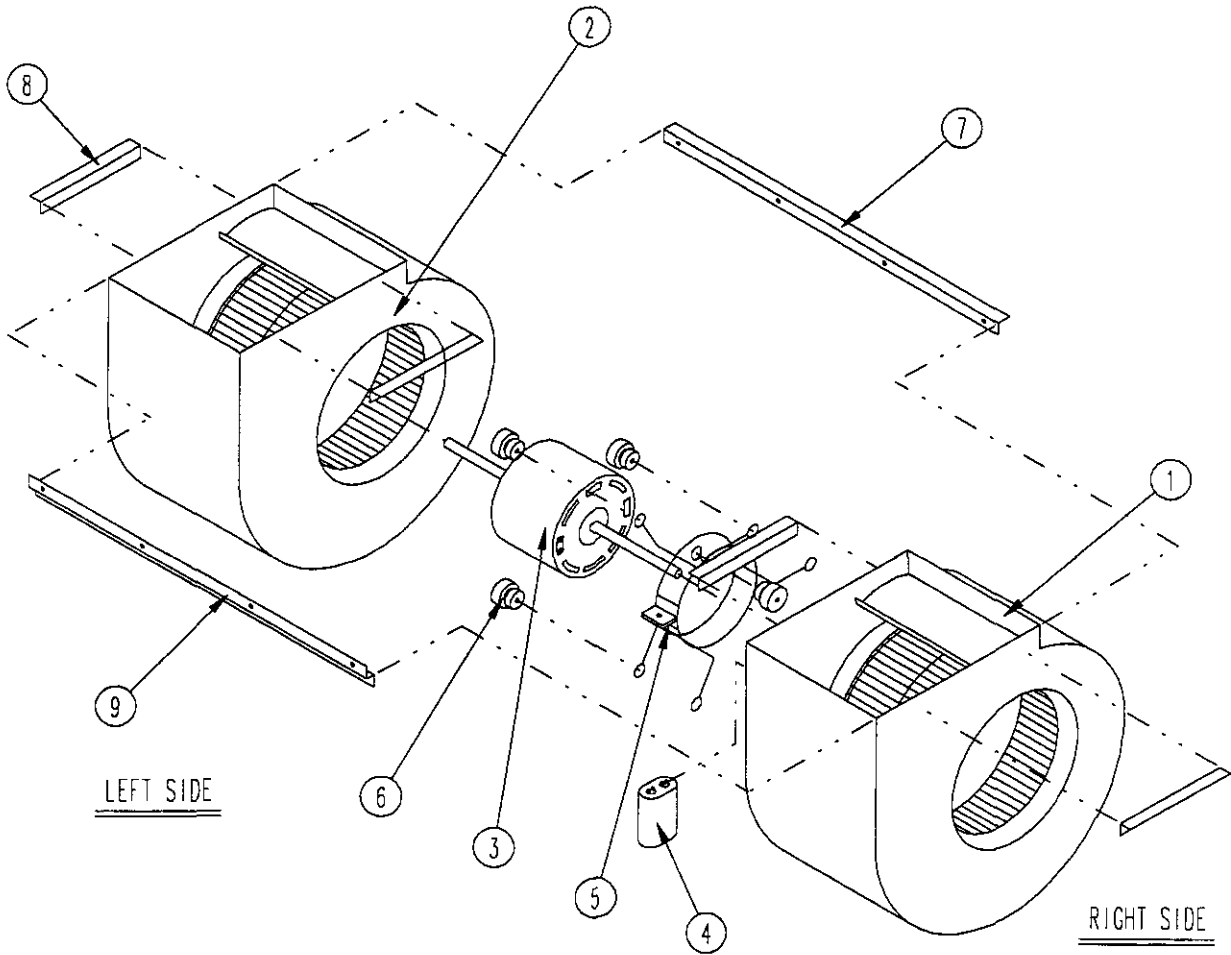
SEXP-330

CONTROL PANEL COMPONENTS

Drawing No.	Part No.	Description	WH301DA	WH301DB	WH301DC	WH361DA	WH361DB	WH361DC
1	117X232	Control Panel	X	X	X	X	X	X
2	117X137	Control Panel Top	X	X	X	X	X	X
3	3000-971	6 Pin Connector	X	X	X	X	X	X
4	8408-037	Return Air Thermostat	X	X	X	X	X	X
5	8201-056	Blower Control	X	X	X	X	X	X
6	8201-069	Heat Pump Control Board	X	X	X	X	X	X
7	8201-062	Control Relay	X	X	X	X	X	X
8	8201-048	Control Relay	X	X	X	X	X	X
9	8201-071	Control Relay	X	X	X	X	X	X
10	8607-019	Low Voltage Terminal Strip	X	X	X	X	X	X
11	117X230	Low Voltage Box	X	X	X	X	X	X
12	8552-048	Compressor Capacitor	X					
12	8552-050	Compressor Capacitor				X		
12	8552-002	Outdoor Motor Capacitor		X	X		X	X
13	8401-007	Compressor Contactor	X			X		
13	8401-002	Compressor Contactor		X	X		X	X
14	135-122	Wire Shield	X	X	X	X	X	X
15	8407-048	Transformer	X	X		X	X	
15	8407-042	Transformer			X			X
16	8607-013	Terminal Block 2 Pole	X			X		
16	8607-014	Terminal Block 3 Pole		X	X		X	X
16	8607-015	Phenolic Insulator			X			X
17	8611-006	Ground Terminal	X	X	X	X	X	X
18	8201-032	Outdoor Fan Relay			X			
19	8551-004	Start Device	X			X		
NS	4096-123	Wiring Diagram	X			X		
NS	4096-120	Ladder Diagram	X			X		
NS	4096-224	Wiring Diagram		X			X	
NS	4096-221	Ladder Diagram		X			X	
NS	4096-324	Wiring Diagram			X			X
NS	4096-321	Ladder Diagram			X			X

NS = Not Shown

BLOWER ASSEMBLY



SEXP-161

Dwg. No.	Part No.	Description	900-179	900-180
1	5152-051	Housing, Wheel & Cutoff (CW)	X	X
2	5152-052	Housing, Wheel & Cutoff	X	X
3	8105-029	Blower Motor (230/208)	X	
3	8105-033	Blower Motor (460)		X
4	8552-002	Capacitor	X	X
5	8200-031	Motor Mount	X	X
6	5451-011	Grommets	6	6
7	105-870	Back Brace	X	X
8	105-868	Side Angle	4	4
9	103-401	Front Brace	X	X