

Replacement Parts Manual

QTEC Series Packaged Heat Pump

Models:

QH241 QH301
QH361 QH421
QH481

General Notes

- Revised and/or additional pages may be issued from time to time.
- A complete and current manual consists of pages shown in the following contents section.

Contents

Description	Page
Cabinet Components	
• Exploded View	1
• Usage List	2
• Usage List	3
• Blank Page	4
Functional Components	
• Exploded View	5
• Usage List	6
• Usage List	7
• Usage List	8
Control Panel Components	
• Exploded View	9
• Usage List	10
Blower Assembly Components	
• Exploded View	11
• Usage List	12
Optional Climate Control Components	
• Exploded View	13
• Usage List	14
Optional Heater Components	
• Exploded View	15
• Usage List	16
• Usage List	17
• Usage List	18
Wall Sleeve Cabinet Components	
• Exploded View	19
• Usage List	20

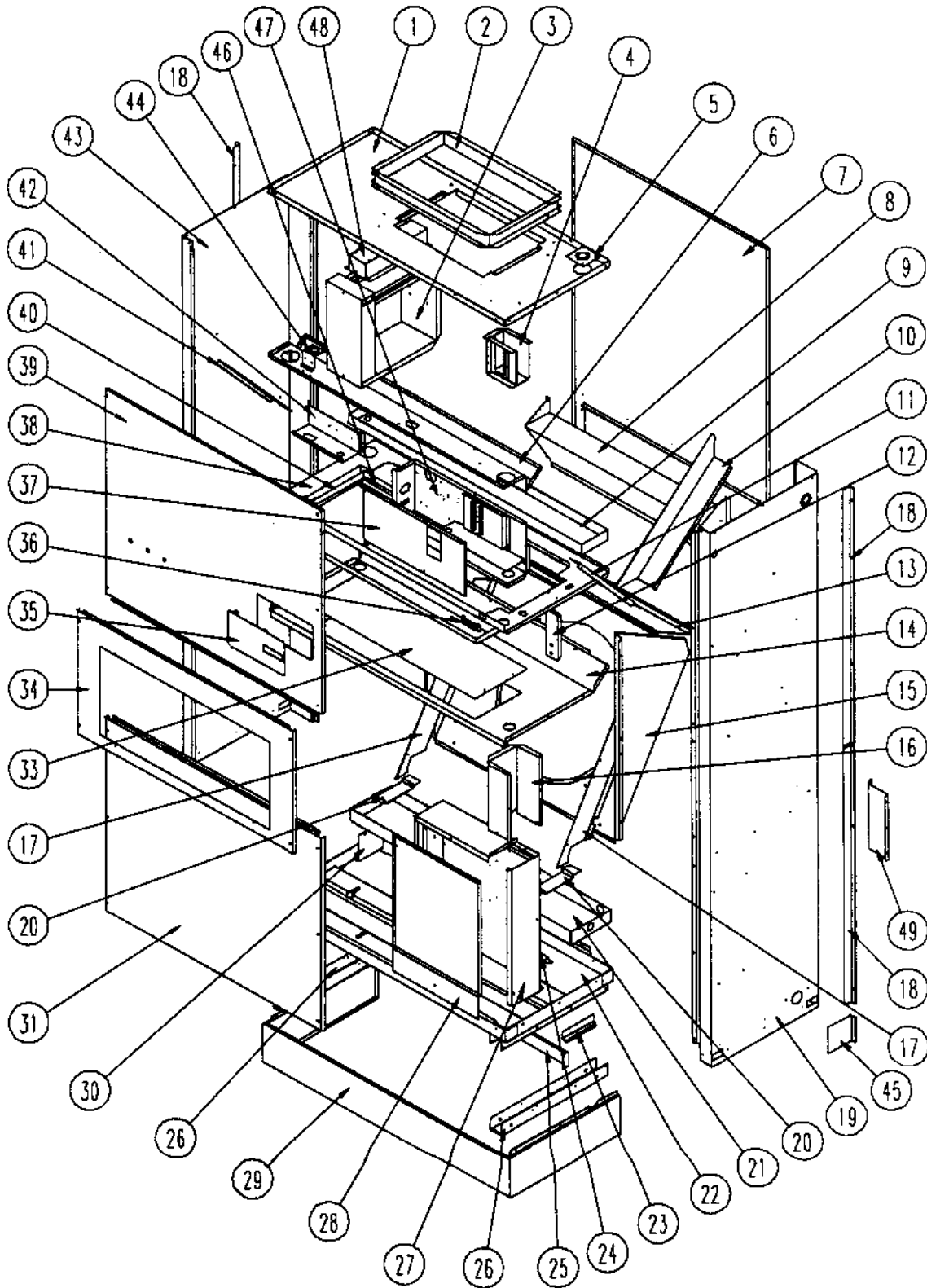


BARD MANUFACTURING COMPANY
Bryan, Ohio 43506

Since 1914...Moving ahead, just as planned.

Manual: 2110-523F
Supersedes: Rev. E
File: Vol II Tab 14
Date: 03-09-98

CABINET COMPONENTS



SEXP-238

This Exploded View references the Tables on Page 2 & 3

CABINET COMPONENTS

Drawing No.	Part No.	Description	QH241-A, B	QH241LA, LB	QH241-C	QH241LC	QH301-A, B	QH301LA, LB	QH301-C	QH301LC	QH361-A, -B	QH361LA, LB	QH361-C	QH361LC	QH421-A, B	QH421LA, LB	QH421-C	QH421LC
			X	X	X	X	X	X	X	X	X	X	X	X	X	X	X	X
1	S506-187	Top Assembly	X	X	X	X	X	X	X	X	X	X	X	X	X	X	X	X
2	110-044	Outlet Duct Flange	2	2	2	2	2	2	2	2	2	2	2	2	2	2	2	2
3	See Page 13	Heater Package Assembly (Optional)	X	X	X	X	X	X	X	X	X	X	X	X	X	X	X	X
4	117-187	Low Voltage Box Assembly (Optional)	X	X	X	X	X	X	X	X	X	X	X	X	X	X	X	X
5	136-359	T. K. O. Plate	X	X	X	X	X	X	X	X	X	X	X	X	X	X	X	X
6	534-153	Evaporator Coil Shield Assembly	X	X	X	X	X	X	X	X	X	X	X	X	X	X	X	X
7	508-133	Back Assembly	X	X	X	X	X	X	X	X	X	X	X	X	X	X	X	X
8	538-106	Fresh Air Damper Assembly	X	X	X	X	X	X	X	X	X	X	X	X	X	X	X	X
9	523-093	Evaporator Drain Pan Assembly	X	X	X	X	X	X	X	X	X	X	X	X	X	X	X	X
10	134-154	Wire Channel	X	X	X	X	X	X	X	X	X	X	X	X	X	X	X	X
11	140X226	Right Evaporator Support	X	X	X	X	X	X	X	X	X	X	X	X	X	X	X	X
12	112-227	Filter Sensor Bracket	X	X	X	X	X	X	X	X	X	X	X	X	X	X	X	X
13	142-055	Condenser Coil Fill	X	X	X	X	X	X	X	X	X	X	X	X	X	X	X	X
14	520-304	Condenser Partition Assembly	X	X	X	X	X	X	X	X	X	X	X	X	X	X	X	X
15	124-031	Fan Shroud Left Side	X	X	X	X	X	X	X	X	X	X	X	X	X	X	X	X
15	124-032	Fan Shroud Back	X	X	X	X	X	X	X	X	X	X	X	X	X	X	X	X
15	124-033	Fan Shroud Right Side	X	X	X	X	X	X	X	X	X	X	X	X	X	X	X	X
16	140-228	Wire Channel	X	X	X	X	X	X	X	X	X	X	X	X	X	X	X	X
17	140-229	Condenser Coil Support	2	2	2	2	2	2	2	2	2	2	2	2	2	2	2	2
18	134-164* (1)	Side Trim	4	4	4	4	4	4	4	4	4	4	4	4	4	4	4	4
19	500-329* (1)	Right Side Assembly	X	X	X	X	X	X	X	X	X	X	X	X	X	X	X	X
20	140-227	Subcooling Loop Hold Down	3	3	3	3	3	3	3	3	3	3	3	3	3	3	3	3
21	123-094	Condenser Drain Pan Assembly	X	X	X	X	X	X	X	X	X	X	X	X	X	X	X	X
22	527-268	Lower Base Assembly	X	X	X	X	X	X	X	X	X	X	X	X	X	X	X	X
23	102-415	Pile Seal Offset	X	X	X	X	X	X	X	X	X	X	X	X	X	X	X	X
24	112-226	Water Sensor Bracket	X	X	X	X	X	X	X	X	X	X	X	X	X	X	X	X
25	134-152	Base Shield	X	X	X	X	X	X	X	X	X	X	X	X	X	X	X	X
26	140-225	Lower Roller Support	2	2	2	2	2	2	2	2	2	2	2	2	2	2	2	2
27	See Page 7	Control Panel Components	X	X	X	X	X	X	X	X	X	X	X	X	X	X	X	X
28	132-142	Control Panel Door	X		X		X		X		X		X		X		X	
28	132-149	Control Panel Door		X		X		X		X		X		X		X		X
29	534-155* (1)	Base Trim Assembly	X	X	X	X	X	X	X	X	X	X	X	X	X	X	X	X
30	140-230	Drain Pan Support	X	X	X	X	X	X	X	X	X	X	X	X	X	X	X	X
31	552-313* (1)	Condenser Door Assembly	X	X	X	X	X	X	X	X	X	X	X	X	X	X	X	X
33	536-351	Condenser Blank Off Plate	X	X	X	X	X	X	X	X	X	X	X	X	X	X	X	X
34	552-312* (1)	Filter Door Assembly	X	X	X	X	X	X	X	X	X	X	X	X	X	X	X	X
35	152-265* (1)	Circuit Breaker Door	X	X	X	X	X	X	X	X	X	X	X	X	X	X	X	X
36	112-228	Door Switch Bracket	X	X	X	X	X	X	X	X	X	X	X	X	X	X	X	X
37	132-144	Pull Disconnect Door Inner		X		X		X		X		X		X		X		X
37	132-143	Circuit Breaker Door Inner	X		X		X		X		X		X		X		X	
38	130-117	Filter Tray	X	X	X	X	X	X	X	X	X	X	X	X	X	X	X	X
39	See Page 11	Blower Door Assembly	X	X	X	X	X	X	X	X	X	X	X	X	X	X	X	X
40	130-118	Filter Frame	X	X	X	X	X	X	X	X	X	X	X	X	X	X	X	X
41	140Y226	Left Evaporator Support	X	X	X	X	X	X	X	X	X	X	X	X	X	X	X	X
42	116-192	Relay Control Panel	X	X	X	X	X	X	X	X	X	X	X	X	X	X	X	X
43	500-330* (1)	Left Side Assembly	X	X	X	X	X	X	X	X	X	X	X	X	X	X	X	X
44	113-142	Expansion Valve Mounting Plate	X	X	X	X	X	X	X	X	X	X	X	X	X	X	X	X
45	134-165* (1)	Base Trim Extension	2	2	2	2	2	2	2	2	2	2	2	2	2	2	2	2
46	104-981	Filter Frame Back	X	X	X	X	X	X	X	X	X	X	X	X	X	X	X	X
47	See Page 13	Pull Disconnect Assembly		X		X		X		X		X		X		X		X
47	See Page 13	Circuit Breaker Box Assembly	X		X		X		X		X		X		X		X	
48	112-229	Heatstrip Bracket	X	X	X	X	X	X	X	X	X	X	X	X	X	X	X	X
49	112-234	Mounting Bracket	2	2	2	2	2	2	2	2	2	2	2	2	2	2	2	2

(1) Exterior cabinet parts are manufactured with various color options. To insure that you receive the proper color, you must include the complete models and serial number of the unit for which parts are being ordered.

This Table references Exploded View on Page 1

CABINET COMPONENTS

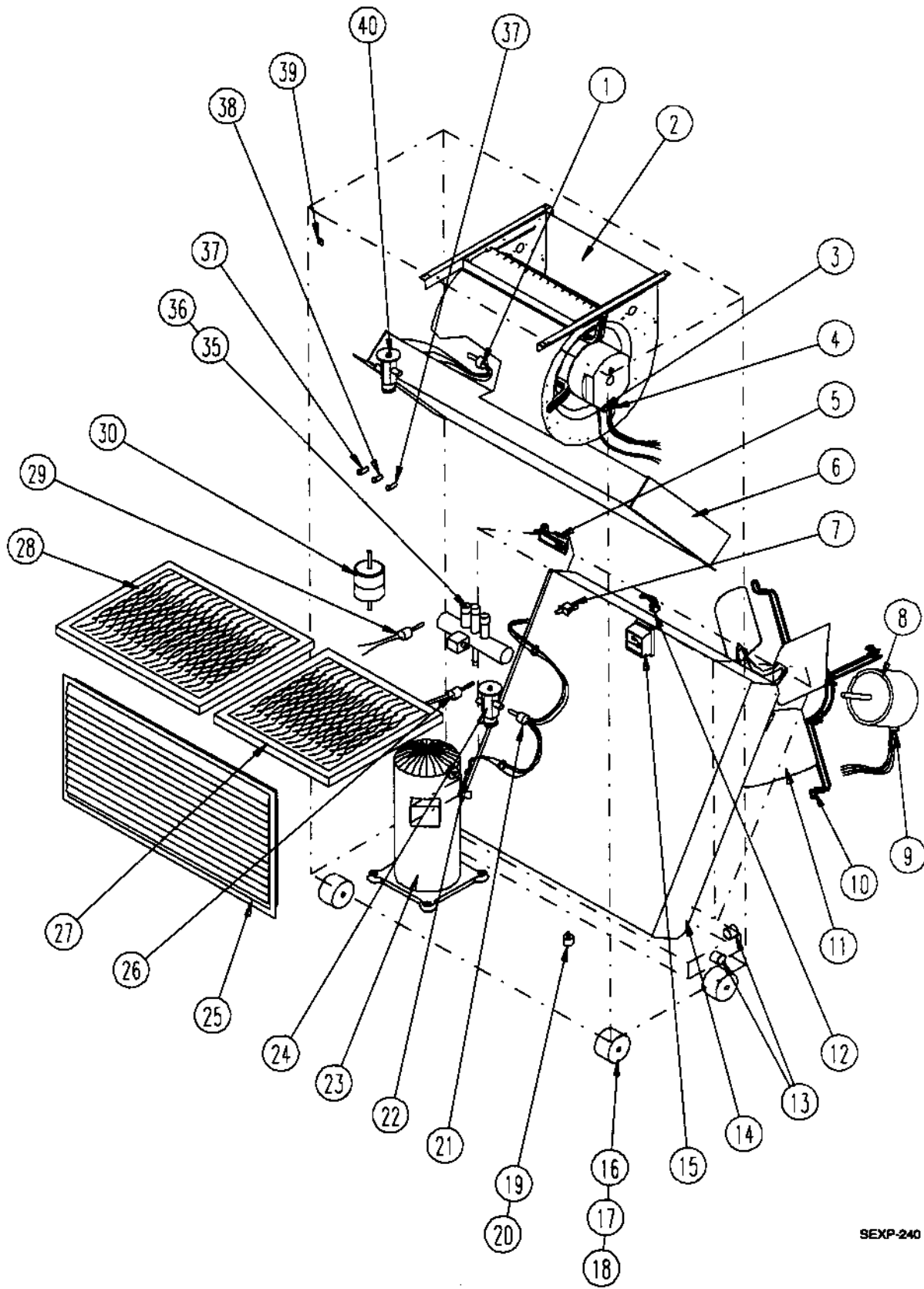
Drawing No.	Part No.	Description	QH481-A, B QH481LA, LB	QH481-C QH481LC
1	S506-214	Top Assembly	X	X
2	110-044	Outlet Duct Flange	2	2
3	See Page 13	Heater Package Assembly (Optional)	X	X
4	117-187	Low Voltage Box Assembly (Optional)	X	X
5	136-359	T. K. O. Plate	X	X
6	534-173	Evaporator Coil Shield Assembly	X	X
7	508-149	Back Assembly	X	X
8	538-106	Fresh Air Damper Assembly	X	X
9	523-098	Evaporator Drain Pan Assembly	X	X
10	134-154	Wire Channel	X	X
11	140X226	Right Evaporator Support	X	X
12	112-227	Filter Sensor Bracket	X	X
13	142-086	Condenser Coil Fill	X	X
14	520-321	Condenser Partition Assembly	X	X
15	124-031	Fan Shroud Left Side	X	X
15	124-034	Fan Shroud Back	X	X
15	124-033	Fan Shroud Right Side	X	X
16	140-228	Wire Channel	X	X
17	140-229	Condenser Coil Support	2	2
18	134-164* (1)	Side Trim	4	4
19	500-329* (1)	Right Side Assembly	X	X
20	140-227	Subcooling Loop Hold Down	3	3
21	123-099	Condenser Drain Pan Assembly	X	X
22	527-294	Lower Base Assembly	X	X
23	102-424	Pile Seal Offset - Left	X	X
23	102-415	Pile Seal Offset - Right	X	X
24	112-226	Water Sensor Bracket	X	X
25	134-172	Base Shield	X	X
26	140-225	Lower Roller Support	2	2
27	See Page 7	Control Panel Components	X	X
28	132-142	Control Panel Door	X	
28	132-149	Control Panel Door		X
29	534-174* (1)	Base Trim Assembly	X	X
30	140-230	Drain Pan Support	X	X
31	552-307* (1)	Condenser Door Assembly	X	X
33	536-351	Condenser Blank Off Plate	X	X
34	552-306* (1)	Filter Door Assembly	X	X
35	152-265* (1)	Circuit Breaker Door	X	X
36	112-228	Door Switch Bracket	X	X
37	132-144	Pull Disconnect Door Inner		X
37	132-143	Circuit Breaker Door Inner	X	
38	130-126	Filter Tray	X	X
39	See Page 11	Blower Door Assembly	X	X
40	130-127	Filter Frame	X	X
41	140Y226	Left Evaporator Support	X	X
42	116-192	Relay Control Panel	X	X
43	500-335* (1)	Left Side Assembly	X	X
44	113-142	Expansion Valve Mounting Plate	X	X
45	134-165* (1)	Base Trim Extension	2	2
46	104-1029	Filter Frame Back	X	X
47	See Page 13	Pull Disconnect Assembly		X
47	See Page 13	Circuit Breaker Box Assembly	X	
48	112-229	Heatstrip Bracket	X	X
49	112-234	Mounting Bracket	2	2

(1) Exterior cabinet parts are manufactured with various color options. To insure that you receive the proper color, you must include the complete models and serial number of the unit for which parts are being ordered.

This Table references Exploded View on Page 1

This page has been left blank intentionally.

FUNCTIONAL COMPONENTS



SEXP-240

This Exploded View references Tables on pages 6, 7 and 8

FUNCTIONAL COMPONENTS

Drawing No.	Part No.	Description	QH241-A	QH241-B	QH241-C	QH301-A	QH301-B	QH301-C	QH361-A	QH361-B	QH361-C	QH421-A	QH421-B	QH421-C
			QH241LA	QH241LB	QH241LC	QH301LA	QH301LB	QH301LC	QH361LA	QH361LB	QH361LC	QH421LA	QH421LB	QH421LC
1	800-0247	Distributor Cooling	X	X	X	X	X	X						
1	800-0248	Distributor Cooling							X	X	X	X	X	X
2	900-225-001	Blower Assembly	X	X	X									
2	900-225-002	Blower Assembly				X	X	X						
2	900-225-004	Blower Assembly							X	X	X	X	X	X
3	3000-1045	Wire Harness High Voltage			X			X			X			X
3	3000-1046	Wire Harness High Voltage	X	X		X	X		X	X		X	X	
4	3000-1042	Wire Harness Low Voltage	X	X	X	X	X	X	X	X	X	X	X	X
5	1171-036	Keylatch/Circuit Breaker Door	X	X	X	X	X	X	X	X				
6	5060-089	Evaporator Coil	X	X	X	X	X	X						
6	5060-090	Evaporator Coil							X	X	X	X	X	X
7	8406-085	Door Switch	X	X	X	X	X	X	X	X	X	X	X	X
8	8103-021	Motor	X	X	X	X	X	X	X	X	X	X	X	X
9	3000-1049	Wire Harness	X	X	X	X	X	X	X	X	X	X	X	X
10	8200-001	Motor Mount	X	X	X	X	X	X	X	X	X	X	X	X
11	5151-050	Fan Blade	X	X	X	X	X	X	X	X	X	X	X	X
12	3000-1047	Wire Harness	X	X	X	X	X	X	X	X	X	X	X	X
13	6094-003	Drain Fitting	2	2	2	2	2	2	2	2	2	2	2	2
14	5051-095	Condenser Coil	X	X	X	X	X	X						
14	5051-096	Condenser Coil							X	X	X	X	X	X
15	8301-011	Dirty Filter Switch	X	X	X	X	X	X	X	X	X	X	X	X
16	1171-035	Wheel	4	4	4	4	4	4	4	4	4	4	4	4
17	1012-129	Bolt - Shoulder	4	4	4	4	4	4	4	4	4	4	4	4
18	1012-224	Nut - Locking	4	4	4	4	4	4	4	4	4	4	4	4
19	8406-083	Water Level Switch	X	X	X	X	X	X	X	X	X	X	X	X
20	1012-316	Nut - Water Level Switch	X	X	X	X	X	X	X	X	X	X	X	X
21	800-0249	Distributor - Heating	X	X	X	X	X	X						
21	800-0250	Distributor - Heating							X	X	X	X	X	X
22	910-1257	Defrost Sensor	X	X	X	X	X	X	X	X	X	X	X	X
23	8000-171	Compressor	X											
23	8000-201	Compressor		X										
23	8000-202	Compressor			X									
23	8000-172	Compressor				X								
23	8000-203	Compressor					X							
23	8000-204	Compressor						X						
23	8000-175	Compressor							X					
23	8000-163	Compressor								X				
23	8000-164	Compressor									X			
23	8000-177	Compressor										X		
23	8000-205	Compressor											X	
23	8000-206	Compressor												X
24	5651-137	TXV Heating	X	X	X									
24	5651-138	TXV Heating				X	X	X						
24	5651-102	TXV Heating							X	X	X	X	X	X
25	7051-034	Return Air Grille	X	X	X	X	X	X	X	X	X	X	X	X
26	8406-055	High Pressure Control	X	X	X	X	X	X	X	X	X	X	X	X
27	7004-009	Air Filter	X	X	X	X	X	X	X	X	X	X	X	X
27	7004-032	Filter 2" Fiberglass (Optional)	X	X	X	X	X	X	X	X	X	X	X	X
27	7004-034	Filter 2" Pleated (Optional)	X	X	X	X	X	X	X	X	X	X	X	X
28	7004-010	Air Filter	X	X	X	X	X	X	X	X	X	X	X	X
28	7004-033	Filter 2" Fiberglass (Optional)	X	X	X	X	X	X	X	X	X	X	X	X
28	7004-035	Filter 2" Pleated (Optional)	X	X	X	X	X	X	X	X	X	X	X	X

Continued on Page 6

This Table references Exploded View on Page 5

FUNCTIONAL COMPONENTS

Drawing No.	Part No.	Description	QH241-A	QH241-B	QH241-C	QH301-A	QH301-B	QH301-C	QH361-A	QH361-B	QH361-C	QH421-A	QH421-B	QH421-C
			QH241LA	QH241LB	QH241LC	QH301LA	QH301LB	QH301LC	QH361LA	QH361LB	QH361LC	QH421LA	QH421LB	QH421LC
<i>Continued from Page 4</i>														
29	8406-061	Low Pressure Control	X	X	X	X	X	X	X	X	X	X	X	X
30	5201-009	Filter/Drier	X	X	X	X	X	X	X	X	X	X	X	X
31	1171-038	Cupped Washer Black	4	4	4	4	4	4	4	4	4	4	4	4
35	5650-020	Reversing Valve	X	X	X									
35	5650-021	Reversing Valve				X	X	X						
35	5650-025	Reversing Valve							X	X	X	X	X	X
36	5650-022	Solenoid Coil	X	X	X	X	X	X	X	X	X	X	X	X
37	8611-094	Indicator Light - Red	2	2	2	2	2	2	2	2	2	2	2	2
38	8611-095	Indicator Light - Yellow	X	X	X	X	X	X	X	X	X	X	X	X
39	1012-315	"U" Clip Fastener	16	16	16	16	16	16	16	16	16	16	16	16
40	5651-137	TXV Cooling	X	X	X									
40	5651-138	TXV Cooling				X	X	X						
40	5651-102	TXV Cooling							X	X	X	X	X	X
NS	1804-0108	Low Ambient Control	X	X	X	X	X	X	X	X	X	X	X	X

Drawing No.	Part No.	Description	QH241-A	QH241-B	QH241-C	QH301-A	QH301-B	QH301-C	QH361-A	QH361-B	QH361-C	QH421-A	QH421-B	QH421-C
			NS	4100-101	Wiring Diagram	X			X			X		
NS	4100-201	Wiring Diagram		X			X			X			X	
NS	4100-301	Wiring Diagram			X			X			X			X

Drawing No.	Part No.	Description	QH241A	QH241B	QH241C	QH301A	QH301B	QH301C	QH361A	QH361B	QH361C	QH421A	QH421B	QH421C
			NS	4100-102	Wiring Diagram	X			X			X		
NS	4100-202	Wiring Diagram		X			X			X			X	
NS	4100-302	Wiring Diagram			X			X			X			X

This Table references Exploded View on Page 5

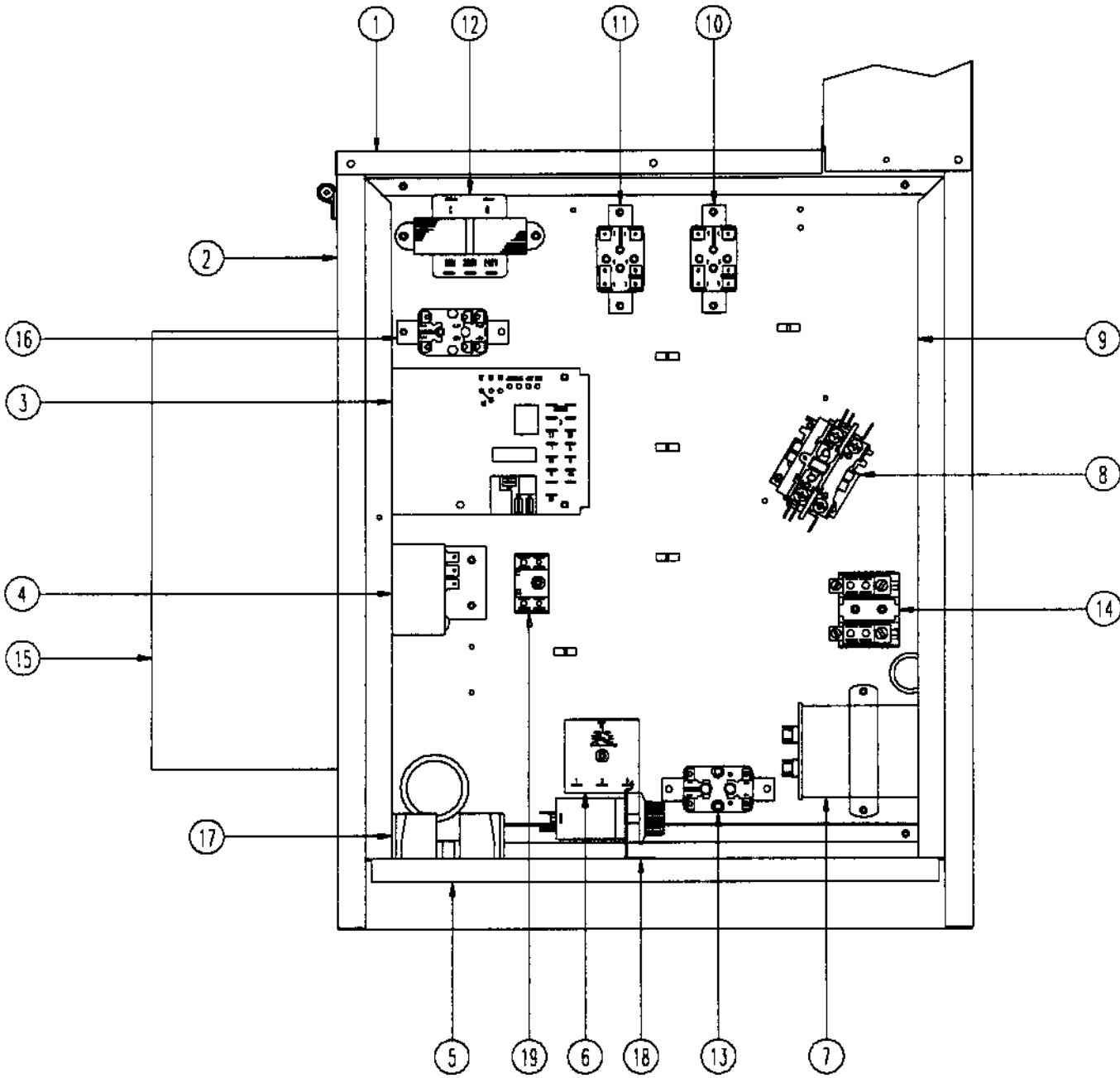
FUNCTIONAL COMPONENTS

Drawing No.	Part No.	Description	QH481-A	QH481-B	QH481-C
			QH481LA	QH481LB	QH481LC
1	800-0266	Distributor Cooling	X	X	X
2	900-225-005	Blower Assembly	X	X	X
3	3000-1045	Wire Harness High Voltage			X
3	3000-1046	Wire Harness High Voltage	X	X	
4	3000-1042	Wire Harness Low Voltage	X	X	X
5	1171-036	Keylatch/Circuit Breaker Door	X	X	X
6	5060-095	Evaporator Coil	X	X	X
7	8406-085	Door Switch	X	X	X
8	8103-021	Motor	X	X	X
9	3000-1049	Wire Harness	X	X	X
10	8200-001	Motor Mount	X	X	X
11	5151-050	Fan Blade	X	X	X
12	3000-1047	Wire Harness	X	X	X
13	6094-003	Drain Fitting	2	2	2
14	5051-104	Condenser Coil	X	X	X
15	8301-011	Dirty Filter Switch	X	X	X
16	1171-035	Wheel	4	4	4
17	1012-129	Bolt - Shoulder	4	4	4
18	1012-224	Nut - Locking	4	4	4
19	8406-083	Water Level Switch	X	X	X
20	1012-316	Nut - Water Level Switch	X	X	X
21	800-0267	Distributor - Heating	X	X	X
22	910-1257	Defrost Sensor	X	X	X
23	8000-218	Compressor	X		
23	8000-221	Compressor		X	
23	8000-222	Compressor			X
24	5651-103	TXV Heating	X	X	X
25	7051-039	Return Air Grille	X	X	X
26	8406-055	High Pressure Control	X	X	X
27	7004-009	Air Filter	X	X	X
27	7004-032	Filter 2" Fiberglass (Optional)	X	X	X
27	7004-034	Filter 2" Pleated (Optional)	X	X	X
28	7004-011	Air Filter	X	X	X
28	7004-036	Filter 2" Fiberglass (Optional)	X	X	X
28	7004-037	Filter 2" Pleated (Optional)	X	X	X
29	8406-061	Low Pressure Control	X	X	X
30	5201-009	Filter/Drier	X	X	X
31	1171-038	Cupped Washer Black	4	4	4
35	5650-025	Reversing Valve	X	X	X
36	5650-022	Solenoid Coil	X	X	X
37	8611-094	Indicator Light - Red	2	2	2
38	8611-095	Indicator Light - Yellow	X	X	X
39	1012-315	"U" Clip Fastener	16	16	16
40	5651-103	TXV Cooling	X	X	X
NS	1804-0108	Low Ambient Control	X	X	X

Drawing No.	Part No.	Description	QH481-A	QH481-B	QH481-C	QH481LA	QH481LB	QH481LC
NS	4100-101	Wiring Diagram	X					
NS	4100-201	Wiring Diagram		X				
NS	4100-301	Wiring Diagram			X			
NS	4100-102	Wiring Diagram				X		
NS	4100-202	Wiring Diagram					X	
NS	4100-302	Wiring Diagram						X

These Tables reference Exploded View on Page 5

CONTROL PANEL COMPONENTS



SEXP-246

This Exploded View references Table on page 10

CONTROL PANEL COMPONENTS

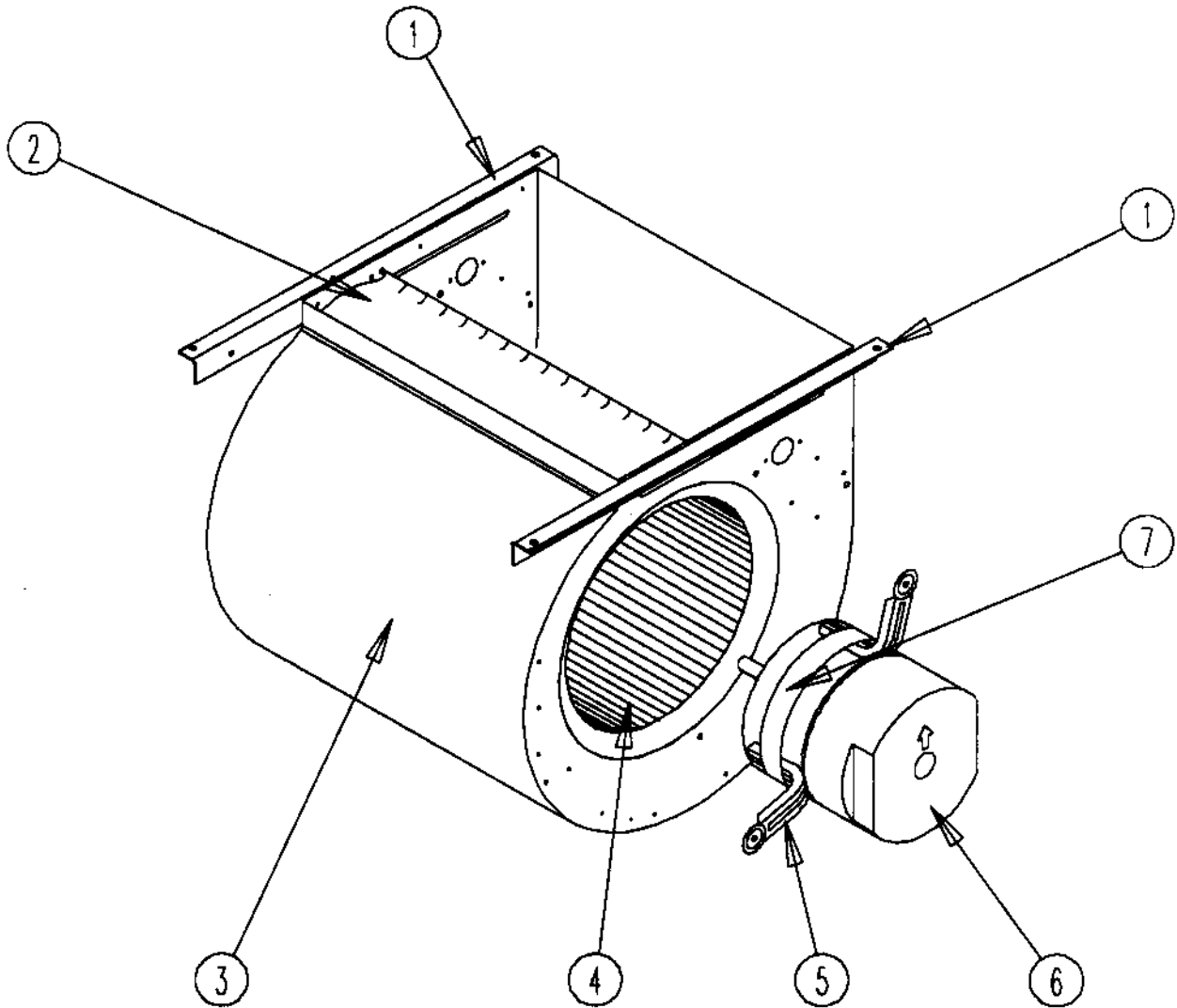
Drawing No.	Part No.	Description	QH241-A	QH301-A	QH361-A	QH421-A	QH241-B	QH361-B	QH421-B	QH481-B	QH241-C	QH301-C	QH361-C	QH421-C	QH481-C	QH241-A	QH301-A	QH361-A	QH421-A	QH241-B	QH301-B	QH361-B	QH421-B	QH481-B	QH241-C	QH301-C	QH361-C	QH421-C	QH481-C				
1	116-186	Control Panel Top	X	X	X	X	X	X	X	X	X	X	X	X	X	X	X	X	X	X	X	X	X	X	X	X	X	X	X	X			
2	116-184	Control Panel	X	X	X	X	X	X	X	X	X	X	X	X	X	X	X	X	X	X	X	X	X	X	X	X	X	X	X	X			
3	8201-069	Heat Pump Control	X	X	X	X	X	X	X	X	X	X	X	X	X	X	X	X	X	X	X	X	X	X	X	X	X	X	X	X			
4	8408-034	Condenser Motor Thermostat	X	X	X	X	X	X	X	X	X	X	X	X	X	X	X	X	X	X	X	X	X	X	X	X	X	X	X	X			
5	126-266	Control Panel Base	X	X	X	X	X	X	X	X	X	X	X	X	X	X	X	X	X	X	X	X	X	X	X	X	X	X	X	X			
6	8201-078	Low Pressure Bypass TDR	X	X	X	X	X	X	X	X	X	X	X	X	X	X	X	X	X	X	X	X	X	X	X	X	X	X	X	X			
7	8552-002	Capacitor	X	X	X	X	X	X	X	X	X	X	X	X	X	X	X	X	X	X	X	X	X	X	X	X	X	X	X	X			
7	8552-050	Capacitor																															
7	8552-052	Capacitor																															
7	8552-063	Capacitor																															
7	8552-062	Capacitor																															
8	8401-007	Contact	X	X	X	X	X	X	X	X	X	X	X	X	X	X	X	X	X	X	X	X	X	X	X	X	X	X	X	X	X		
8	8401-002	Contact																															
9	116-186	Control Panel Mounting Plate	X	X	X	X	X	X	X	X	X	X	X	X	X	X	X	X	X	X	X	X	X	X	X	X	X	X	X	X	X		
10	8201-062	Relay SPDT Pilot Duty	X	X	X	X	X	X	X	X	X	X	X	X	X	X	X	X	X	X	X	X	X	X	X	X	X	X	X	X	X	X	
11	8201-009	Relay	X	X	X	X	X	X	X	X	X	X	X	X	X	X	X	X	X	X	X	X	X	X	X	X	X	X	X	X	X	X	
12	8407-035	Transformer	X	X	X	X	X	X	X	X	X	X	X	X	X	X	X	X	X	X	X	X	X	X	X	X	X	X	X	X	X	X	
13	8201-009	Relay																															
14	8607-013	Terminal Block Two Terminals																															
15	8407-003	Transformer Stepdown 1.5 KVA																															
15	8407-004	Transformer Stepdown 2.0 KVA																															
16	8201-015	Staging Relay																															
17	8614-041	Fuse Holder																															
18	8408-028	Outdoor Thermostat	X	X	X	X	X	X	X	X	X	X	X	X	X	X	X	X	X	X	X	X	X	X	X	X	X	X	X	X	X	X	X
19	8607-017	Terminal block (Optional)	X	X	X	X	X	X	X	X	X	X	X	X	X	X	X	X	X	X	X	X	X	X	X	X	X	X	X	X	X	X	X
NS	8614-046	Fuses Class CC 5A																															
NS	8614-042	Fuses Class CC 7A																															

(1) 7 Amp fuses used with 2 KVA Stepdown transformer which is standard equipment when an energy recovery ventilator is used.

NS Not Shown

This Table references Exploded View on Page 9

BLOWER ASSEMBLY COMPONENTS



SEXP-245

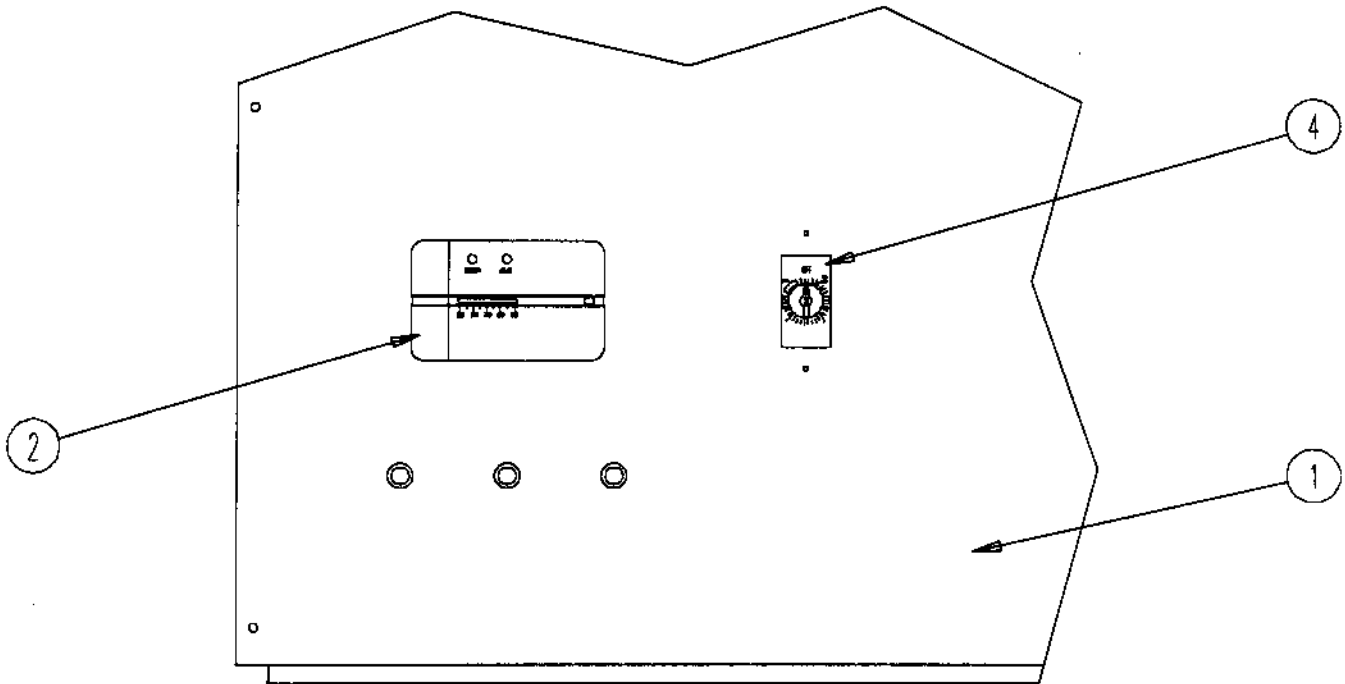
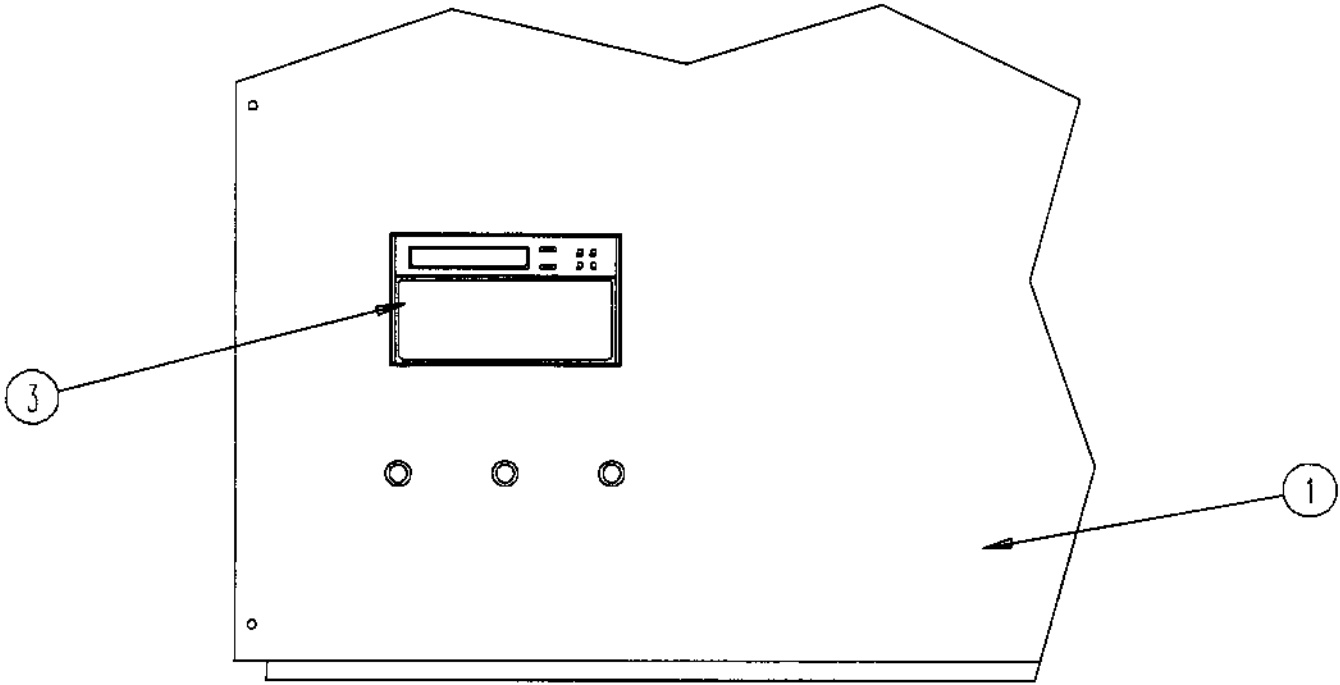
This Exploded View references Table on page 12

BLOWER ASSEMBLY COMPONENTS

Drawing No.	Part No.	Description	900-225-001	900-225-002	900-225-004	900-225-005
1	104-980	Blower Angle	2	2	2	2
2	144-131	Diffuser	X	X	X	X
3	151-110	Blower Housing	X	X	X	X
4	5152-061	Blower Wheel	X	X	X	X
5	8200-034	Motor Mount Arm	3	3	3	3
6	8106-035-0003	Motor	X			
6	8106-035-0004	Motor		X		
6	8106-035-0005A	Motor			X	
6	8106-035-0006	Motor				X
7	8200-033	Motor Mount Band	X	X	X	X

This Table references Exploded View on Page 11

OPTIONAL CLIMATE CONTROLS



SEXP-247

This Exploded View references Table on page 14

OPTIONAL CLIMATE CONTROLS

OPTIONAL CLIMATE CONTROL REPLACEMENT PARTS –

See table below to determine which Climate Control Option is installed:

Drawing No.	Part No.	Description	X Option	A Option	B Option	C Option	D Option
1	552-270-6	Blower Door	X				
1	552-268-6	Blower Door		X			X
1	552-269-6	Blower Door			X	X	
2	8403-037	Electronic/Non-Programmable/Manual Change Over		X	X	X	
3	8403-034	Electronic/Programmable/Manual/Auto Change Over					X
4	8612-016	Timer 4 Hours			X		
4	8612-015	Timer 6 Hours				X	
NS	4102-001	Wiring Diagram	X				
NS	4102-002	Wiring Diagram		X			
NS	4102-003	Wiring Diagram			X	X	
NS	4102-004	Wiring Diagram					X

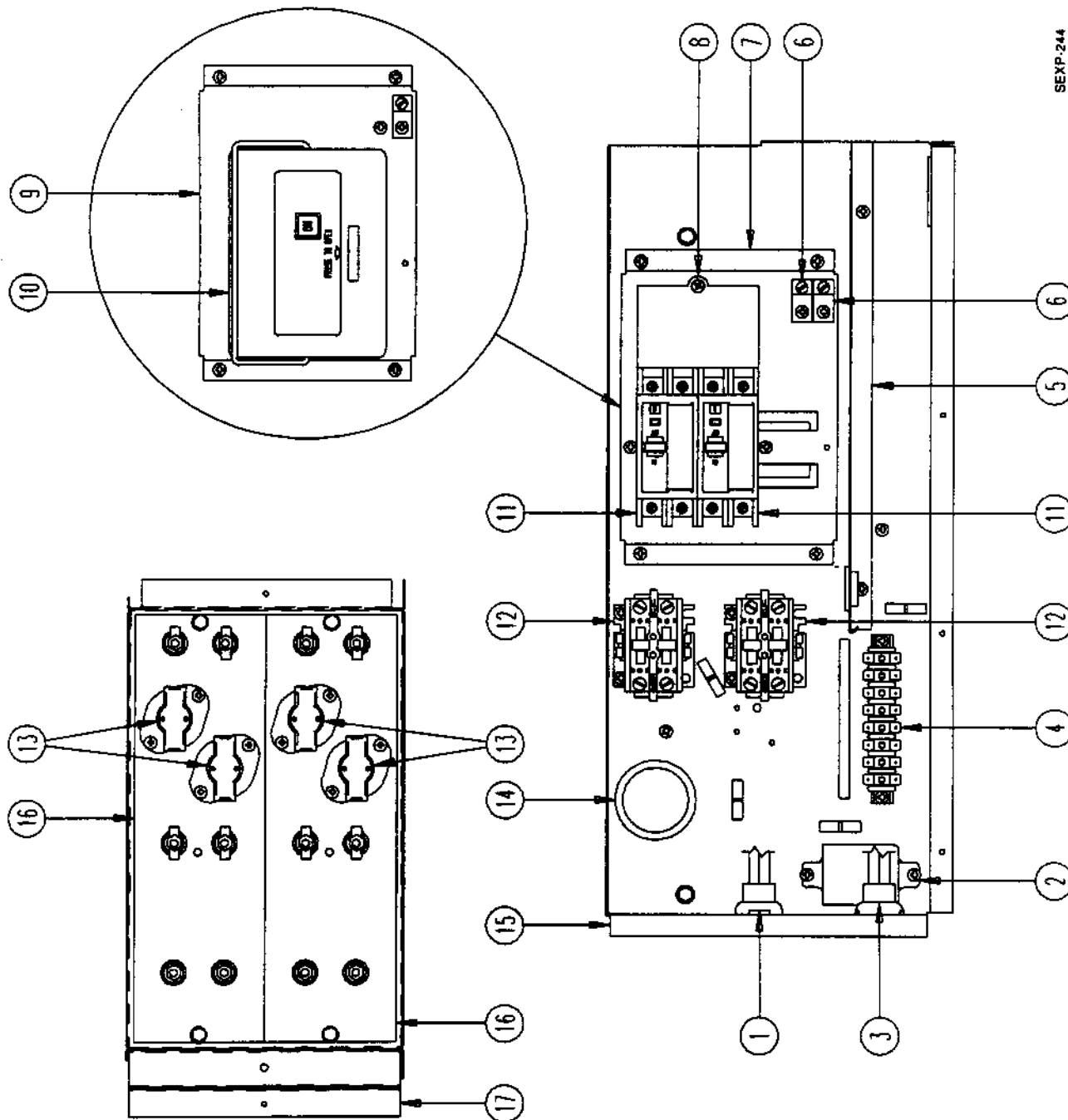
CLIMATE CONTROL OPTION NOMENCLATURE AS SHOWN IN UNIT MODEL NUMBER

QH 361 - A 09 X X X X X

- X – None
- A – Electronic, non-programmable, manual change over
- B – Electronic, non-programmable, manual change over, 4 hour timer
- C – Electronic, non-programmable, manual change over, 6 hour timer
- D – Electronic, programmable, manual/auto change over

This Table references Exploded View on Page 13

OPTIONAL HEATER COMPONENTS



SEXP-244

This Exploded View references Tables on pages 16, 17 and 18

OPTIONAL HEATER COMPONENTS

Drawing No.	Part No.	Description	QH241-A02	QH301-A02	QH361-A02	QH421-A02	QH481-A02	QH241-A05	QH301-A05	QH361-A05	QH421-A05	QH481-A05	QH241-A10	QH301-A10	QH361-A10	QH421-A10	QH481-A10	QH241-A15	QH301-A15	QH361-A15	QH421-A15	QH481-A15	QH241-LA05	QH301-LA05	QH361-LA05	QH421-LA05	QH481-LA05	QH241-LA10	QH301-LA10	QH361-LA10	QH421-LA10	QH481-LA10							
1	3000-1044	Wire Set	X		X	X	X	X	X	X	X	X	X	X	X	X	X	X	X	X	X	X	X	X	X	X	X	X	X	X	X	X	X						
2	8201-048	Relay																																					
3	3000-1043	Wire Set	X		X	X	X	X	X	X	X	X	X	X	X	X	X	X	X	X	X	X	X	X	X	X	X	X	X	X	X	X	X	X					
4	8607-022	Terminal Block	X		X	X	X	X	X	X	X	X	X	X	X	X	X	X	X	X	X	X	X	X	X	X	X	X	X	X	X	X	X	X					
5	116-190	Box Partition	X		X	X	X	X	X	X	X	X	X	X	X	X	X	X	X	X	X	X	X	X	X	X	X	X	X	X	X	X	X	X					
6	8611-006	Ground Lug	X		X	X	X	X	X	X	X	X	X	X	X	X	X	X	X	X	X	X	X	X	X	X	X	X	X	X	X	X	X	X	X				
7	126-267	Circuit Breaker Base	X		X	X	X	X	X	X	X	X	X	X	X	X	X	X	X	X	X	X	X	X	X	X	X	X	X	X	X	X	X	X	X				
8	8615-047	Jumper Bar Base																																					
11	8615-036	Circuit Breaker 2 Pole 25A	X																																				
11	8615-037	Circuit Breaker 2 Pole 30A																																					
11	8615-038	Circuit Breaker 2 Pole 35A																																					
11	8615-055	Circuit Breaker 2 Pole 40A																																					
11	8615-039	Circuit Breaker 2 Pole 45A			X																																		
11	8615-040	Circuit Breaker 2 Pole 50A																																					
11	8615-041	Circuit Breaker 2 Pole 60A																																					
12	8401-006	Contactor 2 Pole 20A																																					
13	8402-100	Limits																																					
14	8611-026	Snap Bushings 1-3/4	X		X	X	X	X	X	X	X	X	X	X	X	X	X	X	X	X	X	X	X	X	X	X	X	X	X	X	X	X	X	X	X	X	X		
15	116-189	Heater Box	X		X	X	X	X	X	X	X	X	X	X	X	X	X	X	X	X	X	X	X	X	X	X	X	X	X	X	X	X	X	X	X	X	X		
16	8604-103	Heat Strip 5 KW																																					
16	8604-104	Heat Strip 10 KW																																					
17	116-191	Heat Strip Wrapper	X		X	X	X	X	X	X	X	X	X	X	X	X	X	X	X	X	X	X	X	X	X	X	X	X	X	X	X	X	X	X	X	X	X		
NS	132-145	Heat Strip Cover	X		X	X	X	X	X	X	X	X	X	X	X	X	X	X	X	X	X	X	X	X	X	X	X	X	X	X	X	X	X	X	X	X	X		
NS	4101-100	Wiring Diagram																																					
NS	4101-101	Wiring Diagram																																					
NS	4101-102	Wiring Diagram																																					
NS	4101-103	Wiring Diagram																																					
NS	4101-104	Wiring Diagram																																					
NS	4101-105	Wiring Diagram																																					
NS	4101-106	Wiring Diagram																																					

NS Not Shown

This Table references Exploded View on Page 15

OPTIONAL HEATER COMPONENTS

Drawing No.	Part No.	Description	QH241-B02	QH301-B02	QH361-B02	QH421-B02	QH481-B02	QH241-B06	QH301-B06	QH361-B06	QH421-B06	QH481-B06	QH241-B09	QH301-B09	QH361-B09	QH421-B09	QH481-B09	QH301-B12	QH361-B15	QH421-B15	QH481-B15	QH241-B06	QH301-B06	QH361-B06	QH421-B06	QH481-B06	QH241-B09	QH301-B09	QH361-B09	QH421-B09	QH481-B09						
1	3000-1044	Wire Set	X	X	X	X	X	X	X	X	X	X	X	X	X	X	X	X	X	X	X	X	X	X	X	X	X	X	X	X	X	X	X				
2	8201-048	Relay		X	X	X	X	X	X	X	X	X	X	X	X	X	X	X	X	X	X	X	X	X	X	X	X	X	X	X	X	X	X				
3	3000-1043	Wire Set	X	X	X	X	X	X	X	X	X	X	X	X	X	X	X	X	X	X	X	X	X	X	X	X	X	X	X	X	X	X	X	X			
4	8607-022	Terminal Block	X	X	X	X	X	X	X	X	X	X	X	X	X	X	X	X	X	X	X	X	X	X	X	X	X	X	X	X	X	X	X	X			
5	116-190	Box Partition	X	X	X	X	X	X	X	X	X	X	X	X	X	X	X	X	X	X	X	X	X	X	X	X	X	X	X	X	X	X	X	X			
6	8611-006	Ground Lug	X	X	X	X	X	X	X	X	X	X	X	X	X	X	X	X	X	X	X	X	X	X	X	X	X	X	X	X	X	X	X	X	X		
7	126-267	Circuit Breaker Base	X	X	X	X	X	X	X	X	X	X	X	X	X	X	X	X	X	X	X	X	X	X	X	X	X	X	X	X	X	X	X	X	X		
11	8615-054	Circuit Breaker 3 Pole 20A		X																																	
11	8615-051	Circuit Breaker 3 Pole 25A		X																																	
11	8615-052	Circuit Breaker 3 Pole 30A		X																																	
11	8615-042	Circuit Breaker 3 Pole 35A		X																																	
11	8615-043	Circuit Breaker 3 Pole 40A		X																																	
11	8615-044	Circuit Breaker 3 Pole 45A		X																																	
11	8615-045	Circuit Breaker 3 Pole 50A		X																																	
11	8615-046	Circuit Breaker 3 Pole 60A		X																																	
12	8401-006	Contactor 2 Pole 20A																																			
13	8402-100	Limits																																			
14	8611-026	Snap Bushings 1-3/4	X	X	X	X	X	X	X	X	X	X	X	X	X	X	X	X	X	X	X	X	X	X	X	X	X	X	X	X	X	X	X	X	X	X	
15	116-189	Heater Box	X	X	X	X	X	X	X	X	X	X	X	X	X	X	X	X	X	X	X	X	X	X	X	X	X	X	X	X	X	X	X	X	X	X	
16	8604-105	Heat Strip 6 KW																																			
16	8604-106	Heat Strip 9 KW																																			
17	116-191	Heat Strip Wrapper	X	X	X	X	X	X	X	X	X	X	X	X	X	X	X	X	X	X	X	X	X	X	X	X	X	X	X	X	X	X	X	X	X	X	
NS	132-145	Heat Strip Cover	X	X	X	X	X	X	X	X	X	X	X	X	X	X	X	X	X	X	X	X	X	X	X	X	X	X	X	X	X	X	X	X	X	X	
NS	4101-200	Wiring Diagram	X	X	X	X	X	X	X	X	X	X	X	X	X	X	X	X	X	X	X	X	X	X	X	X	X	X	X	X	X	X	X	X	X	X	
NS	4101-201	Wiring Diagram																																			
NS	4101-202	Wiring Diagram																																			
NS	4101-203	Wiring Diagram																																			
NS	4101-204	Wiring Diagram																																			

NS Not Shown

This Table references Exploded View on Page 15

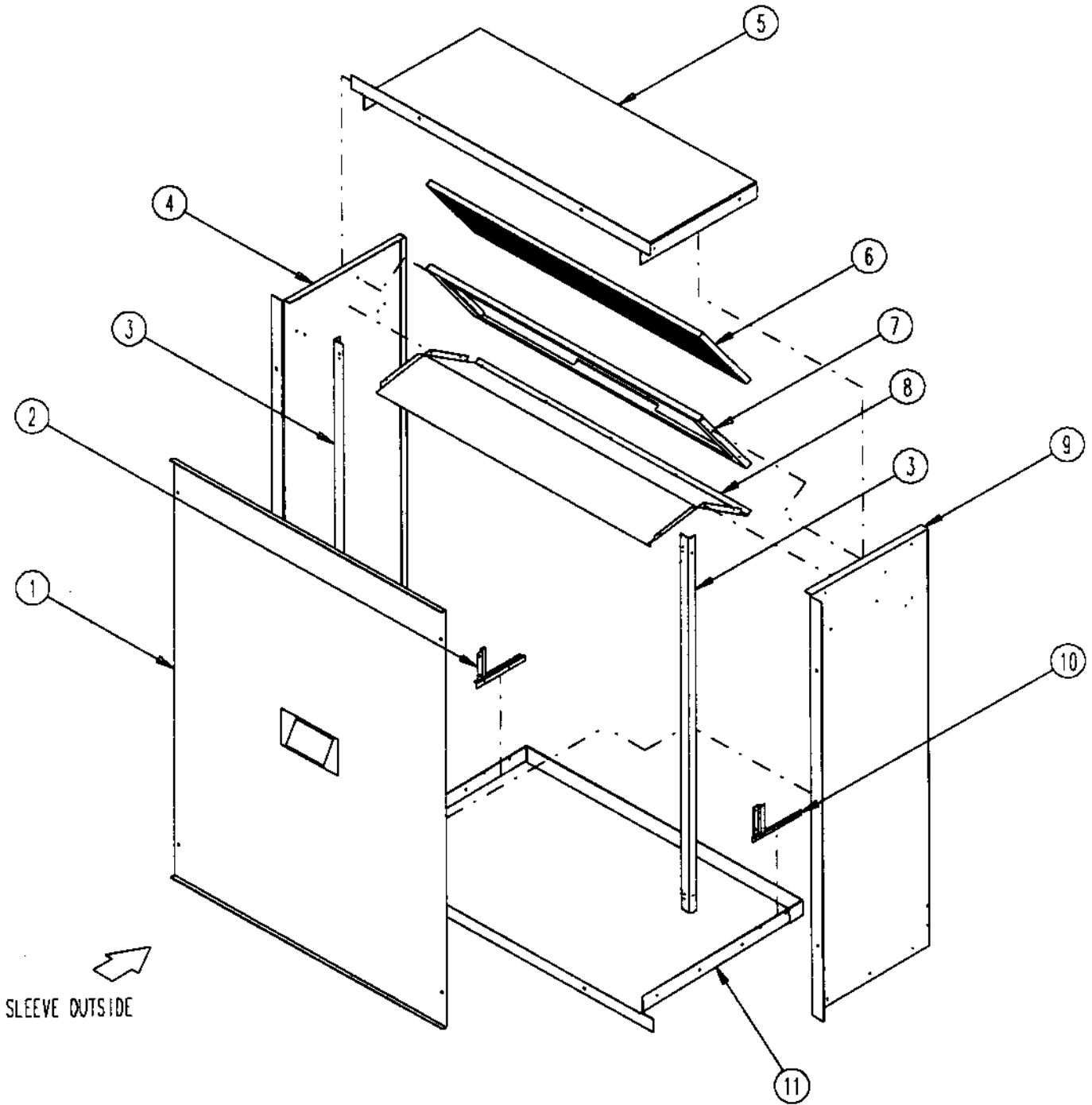
OPTIONAL HEATER COMPONENTS

Drawing No.	Part No.	Description	QH241-C02	QH301-C02	QH361-C02	QH421-C02	QH481-C02	QH241-C06	QH301-C06	QH361-C06	QH421-C06	QH481-C06	QH241-C09	QH301-C09	QH361-C09	QH421-C09	QH481-C09
1	3000-1044	Wire Set						X									
2	8201-048	Relay						X									
3	3000-1043	Wire Set	X					X									
4	8607-022	Terminal Block	X					X									
5	116-190	Box Partition	X					X									
6	8611-006	Ground Lug	X					X									
9	126-269	Pull Disconnect Base	X					X									
10	8615-053	Pull Disconnect	X					X									
12	8401-002	Contact 3 Pole 25A						X									
13	8402-100	Limits						2									
14	8611-026	Snap Bushings 1-3/4	X					X									
15	116-189	Heater Box	X					X									
16	8604-107	Heat Strip 6 KW 480V						X									
16	8604-108	Heat Strip 9 KW 480V						X									
17	116-191	Heat Strip Wrapper	X					X									
NS	132-145	Heat Strip Cover	X					X									
NS	4101-300	Wiring Diagram	X														
NS	4101-301	Wiring Diagram															
NS	4101-302	Wiring Diagram															
NS	4101-303	Wiring Diagram															
NS	4101-304	Wiring Diagram															

NS Not Shown

This Table references Exploded View on Page 15

WALL SLEEVE CABINET COMPONENTS



SEXP-281

This Exploded View references Table on pages 20

WALL SLEEVE CABINET COMPONENTS

Drawing No.	Part No.	Description	QWS42	QWS42-16	QWS48
1	142-056	Cover	X	X	
1	142-068	Cover			X
2	136Y361	Left Side Seal Angle	X	X	X
3	104-988	Angle	2	2	2
4	110Y045	Left Side	X		X
4	110Y048	Left Side		X	
5	110-047	Top	X		
5	110-050	Top		X	
5	110-058	Top			X
6	7003-044	Mist Eliminator	X	X	X
7	130-120	Filter Tray	X	X	
7	130-128	Filter Tray			X
8	120-305	Partition	X		
8	120-309	Partition		X	
8	120-322	Partition			X
9	110X045	Right Side	X		X
9	110X048	Right Side		X	
10	136X361	Right Side Seal Angle	X	X	
10	136-404	Right Side Seal Angle			X
11	111-046	Base	X		
11	111-049	Base		X	
11	111-055	Base			X

This Table references Exploded View on Page 19