

Replacement Parts Manual

QTEC Series Packaged Heat Pump

Models:

QH241D QH301D
QH361D QH421D
QH481D

General Notes

- Revised and/or additional pages may be issued from time to time.
- A complete and current manual consists of pages shown in the following contents section.

Contents

Description	Page
Cabinet Components	
♦ Exploded View	1
♦ Usage List	2
♦ Usage List	3
♦ Blank Page	4
Functional Components	
♦ Exploded View	5
♦ Usage List	6
♦ Usage List	7
♦ Usage List	8
Control Panel Components	
♦ Exploded View	9
♦ Usage List	10
Blower Assembly Components	
♦ Exploded View	11
♦ Usage List	11
Optional Climate Control Components	
♦ Exploded View	12
♦ Usage List	12
Optional Heater Components	
♦ Exploded View	13
♦ Usage List	14
♦ Usage List	15
♦ Usage List	16
Wall Sleeve Cabinet Components	
♦ Exploded View	17
♦ Usage List	18

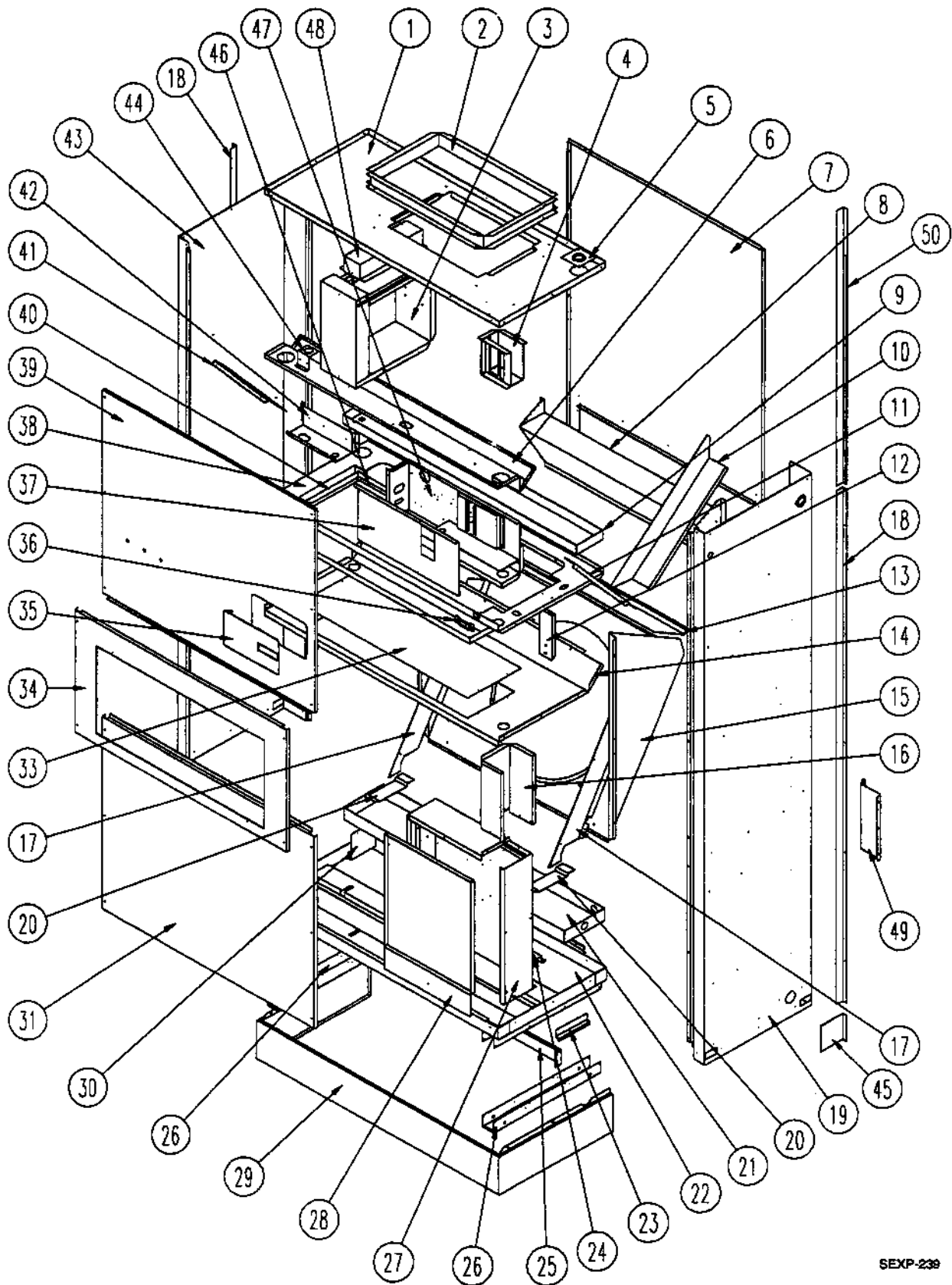


BARD MANUFACTURING COMPANY
Bryan, Ohio 43506

Since 1914...Moving ahead, just as planned.

Manual: 2110-522D
Supersedes: Rev. 2110-522C
File: Tab 14
Date: 09-17-99

CABINET COMPONENTS



SEXP-239

This Exploded View references Tables on pages 3 and 4.

CABINET COMPONENTS

Drawing No.	Part No.	Description	QH241DA, DB	QH241DC	QH301DA, DB	QH301DC	QH361DA, DB	QH361DC	QH421DA, DB	QH421DC
1	S506-187	Top Assembly	X	X	X	X	X	X	X	X
2	110-044	Outlet Duct Flange	2	2	2	2	2	2	2	2
3	See Page 13	Heater Package Assembly (Optional)	X	X	X	X	X	X	X	X
4	117-187	Low Voltage Box Assembly (Optional)	X	X	X	X	X	X	X	X
5	136-359	T. K. O. Plate	X	X	X	X	X	X	X	X
6	534-153	Evaporator Coil Shield Assembly	X	X	X	X	X	X	X	X
7	508-133	Back Assembly	X	X	X	X	X	X	X	X
8	538-106	Fresh Air Damper Assembly	X	X	X	X	X	X	X	X
9	523-093	Evaporator Drain Pan Assembly	X	X	X	X	X	X	X	X
10	134-154	Wire Channel	X	X	X	X	X	X	X	X
11	140X226	Right Evaporator Support	X	X	X	X	X	X	X	X
12	112-227	Filter Sensor Bracket	X	X	X	X	X	X	X	X
13	142-055	Condenser Coil Fill	X	X	X	X	X	X	X	X
14	520-304	Condenser Partition Assembly	X	X	X	X	X	X	X	X
15	124-039	Fan Shroud Left Side	X	X	X	X	X	X	X	X
15	124-032	Fan Shroud Back	X	X	X	X	X	X	X	X
15	124-040	Fan Shroud Right Side	X	X	X	X	X	X	X	X
16	140-228	Wire Channel	X	X	X	X	X	X	X	X
17	140-229	Condenser Coil Support	2	2	2	2	2	2	2	2
18	134-177-* ①	Side Trim	2	2	2	2	2	2	2	2
19	500-373-* ①	Right Side Assembly	X	X	X	X	X	X	X	X
20	140-227	Subcooling Loop Hold Down	3	3	3	3	3	3	3	3
21	123-094	Condenser Drain Pan Assembly	X	X	X	X	X	X	X	X
22	527-268	Lower Base Assembly	X	X	X	X	X	X	X	X
23	102-415	Pile Seal Offset	X	X	X	X	X	X	X	X
24	112-226	Water Sensor Bracket	X	X	X	X	X	X	X	X
25	134-152	Base Shield	X	X	X	X	X	X	X	X
26	140-225	Lower Roller Support	2	2	2	2	2	2	2	2
27	See Page 7	Control Panel Components	X	X	X	X	X	X	X	X
28	132-142	Control Panel Door	X		X		X		X	
28	132-149	Control Panel Door		X		X		X		X
29	534-155-* ①	Base Trim Assembly	X	X	X	X	X	X	X	X
30	140-230	Drain Pan Support	X	X	X	X	X	X	X	X
31	553-313-* ①	Condenser Door Assembly	X	X	X	X	X	X	X	X
33	536-351	Condenser Blank Off Plate	X	X	X	X	X	X	X	X
34	553-312-* ①	Filter Door Assembly	X	X	X	X	X	X	X	X
35	152-265-* ①	Circuit Breaker Door	X	X	X	X	X	X	X	X
36	112-228	Door Switch Bracket	X	X	X	X	X	X	X	X
37	132-144	Pull Disconnect Door Inner		X		X		X		X
37	132-143	Circuit Breaker Door Inner	X		X		X		X	
38	130-117	Filter Tray	X	X	X	X	X	X	X	X
39	See Page 11	Blower Door Assembly	X	X	X	X	X	X	X	X
40	130-118	Filter Frame	X	X	X	X	X	X	X	X
41	140Y226	Left Evaporator Support	X	X	X	X	X	X	X	X
42	117-203	Relay Control Panel	X	X	X	X	X	X	X	X
43	500-374-* ①	Left Side Assembly	X	X	X	X	X	X	X	X
44	113-142	Expansion Valve Mounting Plate	X	X	X	X	X	X	X	X
45	134-165-* ①	Base Trim Extension	2	2	2	2	2	2	2	2
46	104-981	Filter Frame Back	X	X	X	X	X	X	X	X
47	See Page 13	Pull Disconnect Assembly		X		X		X		X
47	See Page 13	Circuit Breaker Box Assembly	X		X		X		X	
48	112-229	Heatstrip Bracket	X	X	X	X	X	X	X	X
49	112-234	Mounting Bracket	2	2	2	2	2	2	2	2
50	134-178-* ①	Trim	2	2	2	2	2	2	2	2

① Exterior cabinet parts are manufactured with various color options. To insure that you receive the proper color, you must include the complete models and serial number of the unit for which parts are being ordered.

This Table references Exploded View on page 1

CABINET COMPONENTS

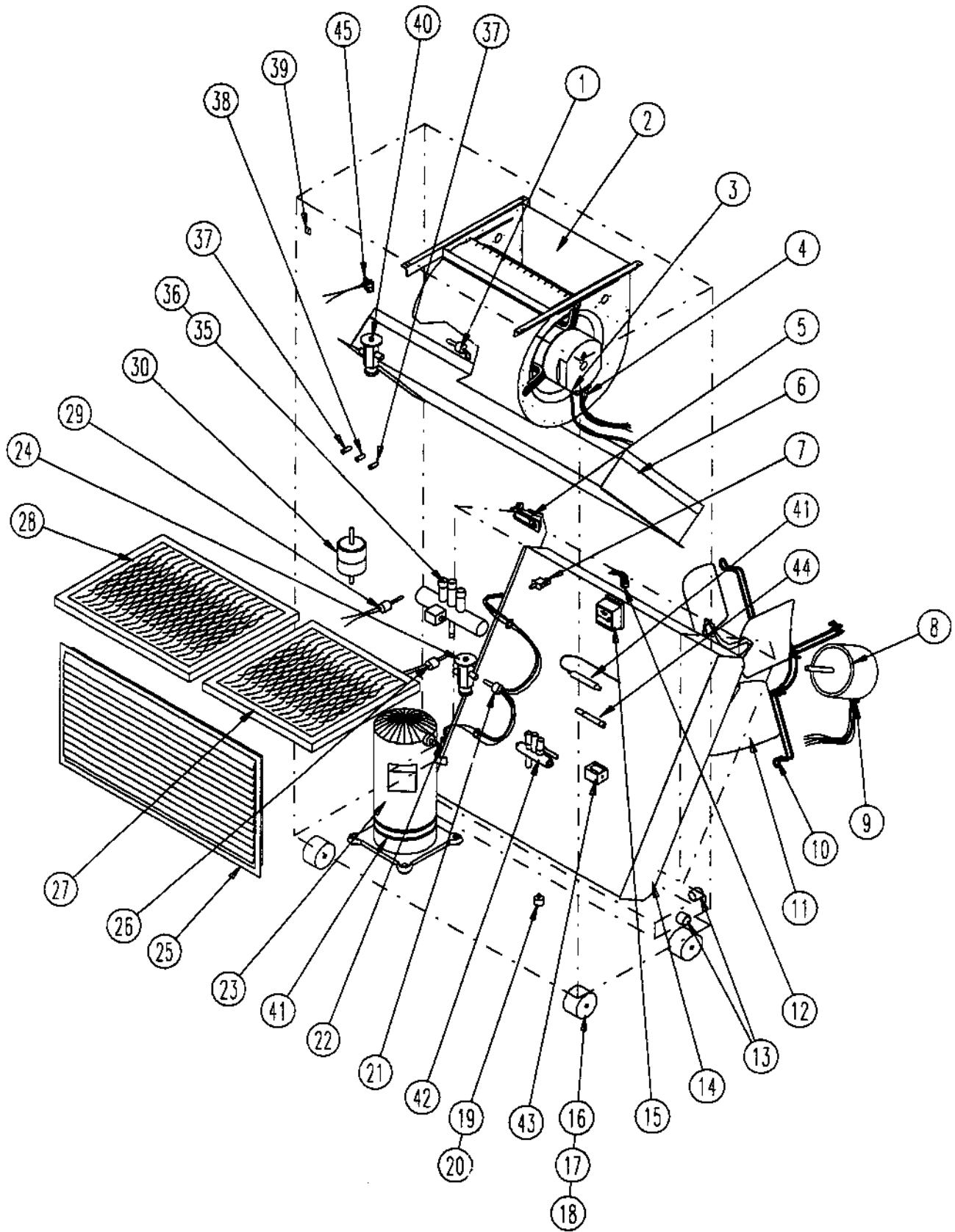
Drawing No.	Part No.	Description	QH481DA, DB	QH481DA, DB
1	S506-214	Top Assembly	X	X
2	110-044	Outlet Duct Flange	2	2
3	See Page 13	Heater Package Assembly (Optional)	X	X
4	117-187	Low Voltage Box Assembly (Optional)	X	X
5	136-359	T. K. O. Plate	X	X
6	534-173	Evaporator Coil Shield Assembly	X	X
7	508-149	Back Assembly	X	X
8	538-106	Fresh Air Damper Assembly	X	X
9	523-098	Evaporator Drain Pan Assembly	X	X
10	134-154	Wire Channel	X	X
11	140X226	Right Evaporator Support	X	X
12	112-227	Filter Sensor Bracket	X	X
13	142-066	Condenser Coil Fill	X	X
14	520-321	Condenser Partition Assembly	X	X
15	124-042	Fan Shroud Back	X	X
15	124-041	Fan Shroud Right Side	X	X
16	140-228	Wire Channel	X	X
17	140-229	Condenser Coil Support	2	2
18	134-177-* ①	Side Trim	2	2
19	500-373-* ①	Right Side Assembly	X	X
20	140-227	Subcooling Loop Hold Down	3	3
21	123-099	Condenser Drain Pan Assembly	X	X
22	527-294	Lower Base Assembly	X	X
23	102-415	Pile Seal Offset – Right	X	X
23	102-424	Pile Seal Offset – Left	X	X
24	112-226	Water Sensor Bracket	X	X
25	134-172	Base Shield	X	X
26	140-225	Lower Roller Support	2	2
27	See Page 7	Control Panel Components	X	X
28	132-142	Control Panel Door	X	
28	132-149	Control Panel Door		X
29	534-174-* ①	Base Trim Assembly	X	X
30	140-230	Drain Pan Support	X	X
31	553-307-* ①	Condenser Door Assembly	X	X
33	536-351	Condenser Blank Off Plate	X	X
34	553-306-* ①	Filter Door Assembly	X	X
35	152-265-* ①	Circuit Breaker Door	X	X
36	112-228	Door Switch Bracket	X	X
37	132-144	Pull Disconnect Door Inner		X
37	132-143	Circuit Breaker Door Inner	X	
38	130-126	Filter Tray	X	X
39	See Page 11	Blower Door Assembly	X	X
40	130-127	Filter Frame	X	X
41	140Y226	Left Evaporator Support	X	X
42	117-203	Relay Control Panel	X	X
43	500-375-* ①	Left Side Assembly	X	X
44	113-142	Expansion Valve Mounting Plate	X	X
45	134-165-* ①	Base Trim Extension	2	2
46	104-1029	Filter Frame Back	X	X
47	See Page 13	Pull Disconnect Assembly		X
47	See Page 13	Circuit Breaker Box Assembly	X	
48	112-229	Heatstrip Bracket	X	X
49	112-234	Mounting Bracket	2	2
50	134-178	Trim	2	2

① Exterior cabinet parts are manufactured with various color options. To insure that you receive the proper color, you must include the complete models and serial number of the unit for which parts are being ordered.

This Table references Exploded View on page 1

This page has been left blank intentionally.

FUNCTIONAL COMPONENTS



SEXP-275

This Exploded View references Tables on pages 6, 7 and 8

FUNCTIONAL COMPONENTS

Drawing No.	Part No.	Description	QH241DA	QH241DB	QH241DC	QH301DA	QH301DB	QH301DC	QH361DA	QH361DB	QH361DC	QH421DA	QH421DB	QH421DC
1	800-0247	Distributor Cooling	X	X	X	X	X	X						
1	800-0248	Distributor Cooling							X	X	X	X	X	X
2	900-225-001	Blower Assembly	X	X	X									
2	900-225-002	Blower Assembly				X	X	X						
2	900-225-004	Blower Assembly							X	X	X	X	X	X
3	3000-1045	Wire Harness High Voltage			X			X			X			X
3	3000-1046	Wire Harness High Voltage	X	X		X	X	X	X	X		X	X	X
4	3000-1042	Wire Harness Low Voltage	X	X	X	X	X	X	X	X	X	X	X	X
5	1171-036	Keylatch/Circuit Breaker Door	X	X	X	X	X	X	X	X				
6	917-0039	Evaporator and Reheat Coil	X	X	X	X	X	X						
6	917-0040	Evaporator and Reheat Coil							X	X	X	X	X	X
7	8406-085	Door Switch	X	X	X	X	X	X	X	X	X	X	X	X
8	8103-021	Motor	X	X	X	X	X	X	X	X	X	X	X	X
9	3000-1049	Wire Harness	X	X	X	X	X	X	X	X	X	X	X	X
10	8200-001	Motor Mount	X	X	X	X	X	X	X	X	X	X	X	X
11	5151-050	Fan Blade	X	X	X	X	X	X	X	X	X	X	X	X
12	3000-1047	Wire Harness P3	X	X	X	X	X	X	X	X	X	X	X	X
13	6094-003	Drain Fitting	2	2	2	2	2	2	2	2	2	2	2	2
14	5051-095	Condenser Coil	X	X	X	X	X	X						
14	5051-096	Condenser Coil							X	X	X	X	X	X
15	8301-011	Dirty Filter Switch	X	X	X	X	X	X	X	X	X	X	X	X
16	1171-035	Wheel	4	4	4	4	4	4	4	4	4	4	4	4
17	1012-129	Bolt - Shoulder	4	4	4	4	4	4	4	4	4	4	4	4
18	1012-224	Nut - Locking	4	4	4	4	4	4	4	4	4	4	4	4
19	8406-083	Water Level Switch	X	X	X	X	X	X	X	X	X	X	X	X
20	1012-316	Nut - Water Level Switch	X	X	X	X	X	X	X	X	X	X	X	X
21	800-0249	Distributor - Heating	X	X	X	X	X	X						
21	800-0250	Distributor - Heating							X	X	X	X	X	X
22	910-1257	Defrost Sensor	X	X	X	X	X	X	X	X	X	X	X	X
23	8000-171	Compressor	X											
23	8000-201	Compressor		X										
23	8000-202	Compressor			X									
23	8000-172	Compressor				X								
23	8000-203	Compressor					X							
23	8000-204	Compressor						X						
23	8000-175	Compressor							X					
23	8000-163	Compressor								X				
23	8000-164	Compressor									X			
23	8000-177	Compressor										X		
23	8000-205	Compressor											X	
23	8000-206	Compressor												X
24	5651-137	TXV Heating	X	X	X									
24	5651-138	TXV Heating				X	X	X						
24	5651-102	TXV Heating							X	X	X	X	X	X
25	7051-034	Return Air Grille	X	X	X	X	X	X	X	X	X	X	X	X
26	8406-055	High Pressure Control	X	X	X	X	X	X	X	X	X	X	X	X
27	7004-009	Air Filter	X	X	X	X	X	X	X	X	X	X	X	X
27	7004-032	Filter 2" Fiberglass (Opt)	X	X	X	X	X	X	X	X	X	X	X	X
27	7004-034	Filter 2" Pleated (Opt)	X	X	X	X	X	X	X	X	X	X	X	X
28	7004-010	Air Filter	X	X	X	X	X	X	X	X	X	X	X	X
28	7004-033	Filter 2" Fiberglass (Opt)	X	X	X	X	X	X	X	X	X	X	X	X
28	7004-035	Filter 2" Pleated (Opt)	X	X	X	X	X	X	X	X	X	X	X	X

Continued on Page 7

This Table references Exploded View on Page 5

FUNCTIONAL COMPONENTS

Drawing No.	Part No.	Description	QH241DA	QH241DB	QH241DC	QH301DA	QH301DB	QH301DC	QH361DA	QH361DB	QH361DC	QH421DA	QH421DB	QH421DC
	<i>Continued from Page 5</i>													
29	8406-061	Low Pressure Control	X	X	X	X	X	X	X	X	X	X	X	X
30	5201-009	Filter/Drier	X	X	X	X	X	X	X	X	X	X	X	X
31	1171-038	Cupped Washer Black	4	4	4	4	4	4	4	4	4	4	4	4
35	5650-020	Reversing Valve	X	X	X									
35	5650-021	Reversing Valve				X	X	X						
35	5650-025	Reversing Valve							X	X	X	X	X	X
36	5650-022	Solenoid Coil	X	X	X	X	X	X	X	X	X	X	X	X
37	8611-094	Indicator Light - Red	2	2	2	2	2	2	2	2	2	2	2	2
38	8611-095	Indicator Light - Yellow	X	X	X	X	X	X	X	X	X	X	X	X
39	1012-315	"U" Clip Fastener	16	16	16	16	16	16	16	16	16	16	16	16
40	5651-137	TXV Cooling	X	X	X									
40	5651-138	TXV Cooling				X	X	X						
40	5651-102	TXV Cooling							X	X	X	X	X	X
41	800-0268	Drain Capillary Assembly	X	X	X	X	X	X	X	X	X	X	X	X
42	5650-026	Three Way Valve	X	X	X	X	X	X	X	X	X	X	X	X
43	5650-027	Solenoid Coil	X	X	X	X	X	X	X	X	X	X	X	X
44	5651-146	Check Valve	X	X	X	X	X	X	X	X	X	X	X	X
45	8408-038	Freeze Thermostat	X	X	X	X	X	X	X	X	X	X	X	X
NS	1804-0108	Low Ambient Control (Optional)	X	X	X	X	X	X	X	X	X	X	X	X
NS	4100-104	Wiring Diagram Basic Unit	X			X						X		
NS	4100-204	Wiring Diagram Basic Unit		X			X			X			X	
NS	4100-304	Wiring Diagram Basic Unit			X			X			X			X

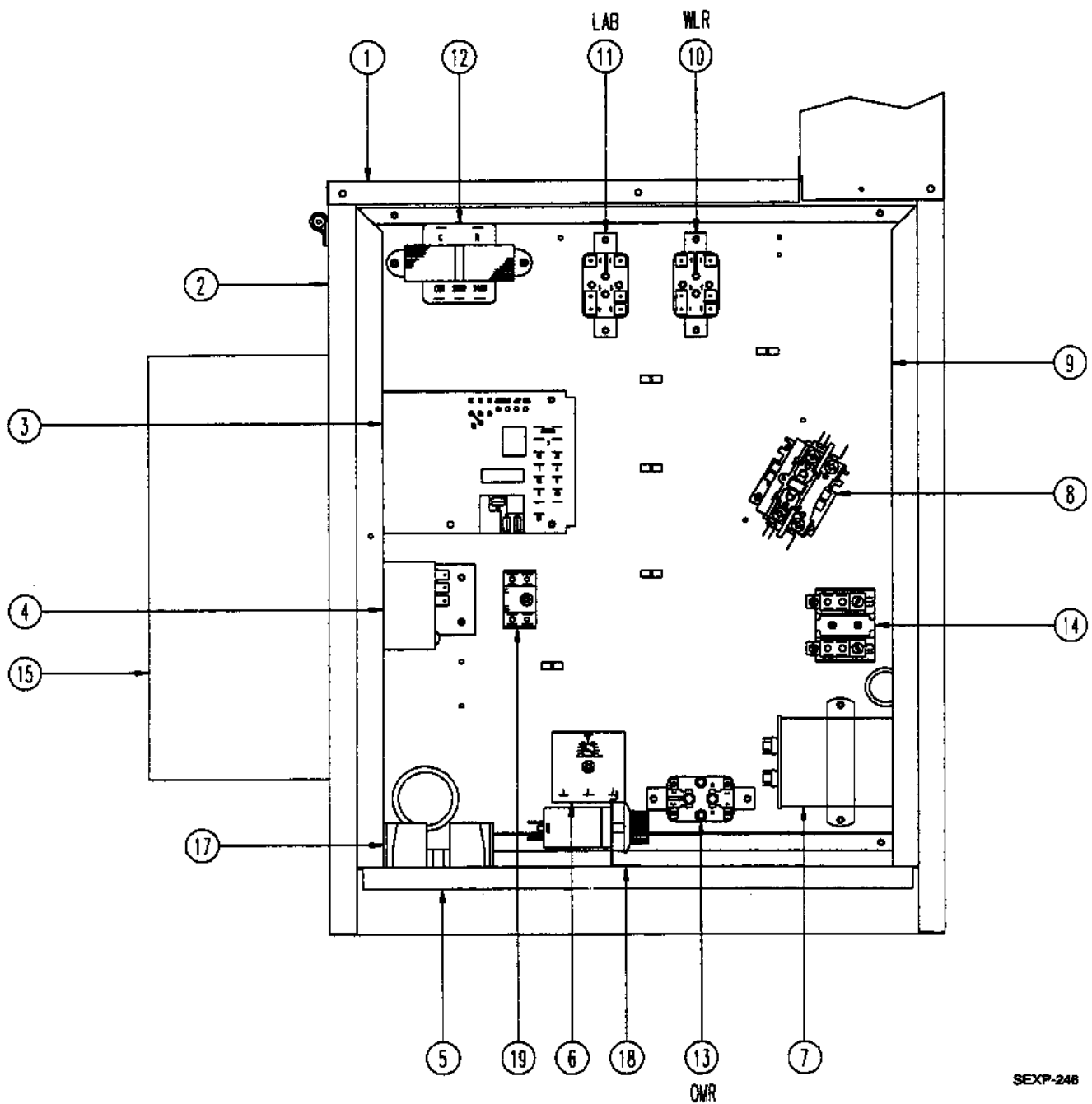
This Table references Exploded View on Page 5

FUNCTIONAL COMPONENTS

Drawing No.	Part No.	Description	QH481DA	QH481DB	QH481DC
1	800-0266	Distributor Cooling	X	X	X
2	900-225-005	Blower Assembly	X	X	X
3	3000-1045	Wire Harness High Voltage			X
3	3000-1046	Wire Harness High Voltage	X	X	
4	3000-1042	Wire Harness Low Voltage	X	X	X
5	1171-036	Keylatch/Circuit Breaker Door	X	X	X
6	917-0041	Evaporator and Reheat Coil	X	X	X
7	8406-085	Door Switch	X	X	X
8	8103-021	Motor	X	X	X
9	3000-1049	Wire Harness	X	X	X
10	8200-001	Motor Mount	X	X	X
11	5151-050	Fan Blade	X	X	X
12	3000-1047	Wire Harness P3	X	X	X
13	6094-003	Drain Fitting	2	2	2
14	5051-104	Condenser Coil	X	X	X
15	8301-011	Dirty Filter Switch	X	X	X
16	1171-035	Wheel	4	4	4
17	1012-129	Bolt - Shoulder	4	4	4
18	1012-224	Nut - Locking	4	4	4
19	8406-083	Water Level Switch	X	X	X
20	1012-316	Nut - Water Level Switch	X	X	X
21	800-0267	Distributor - Heating	X	X	X
22	910-1257	Defrost Sensor	X	X	X
23	8000-218	Compressor	X		
23	8000-221	Compressor		X	
23	8000-222	Compressor			X
24	5651-103	TXV Heating	X	X	X
25	7051-039	Return Air Grille	X	X	X
26	8406-055	High Pressure Control	X	X	X
27	7004-009	Air Filter	X	X	X
27	7004-032	Filter 2" Fiberglass (Opt)	X	X	X
27	7004-034	Filter 2" Pleated (Opt)	X	X	X
28	7004-011	Air Filter	X	X	X
28	7004-036	Filter 2" Fiberglass (Opt)	X	X	X
28	7004-037	Filter 2" Pleated (Opt)	X	X	X
29	8406-061	Low Pressure Control	X	X	X
30	5201-009	Filter/Drier	X	X	X
31	1171-038	Cupped Washer Black	4	4	4
35	5650-025	Reversing Valve	X	X	X
36	5650-022	Solenoid Coil	X	X	X
37	8611-094	Indicator Light - Red	2	2	2
38	8611-095	Indicator Light - Yellow	X	X	X
39	1012-315	"U" Clip Fastener	16	16	16
40	5651-103	TXV Cooling	X	X	X
41	800-0268	Drain Capillary Assembly	X	X	X
42	5650-026	Three Way Valve	X	X	X
43	5650-027	Solenoid Coil	X	X	X
44	5651-146	Check Valve	X	X	X
45	8408-038	Freeze Thermostat	X	X	X
NS	1804-0108	Low Ambient Control (Optional)	X	X	X
NS	4100-104	Wiring Diagram Basic Unit	X		
NS	4100-204	Wiring Diagram Basic Unit		X	
NS	4100-304	Wiring Diagram Basic Unit			X

This Table references Exploded View on Page 5

CONTROL PANEL COMPONENTS



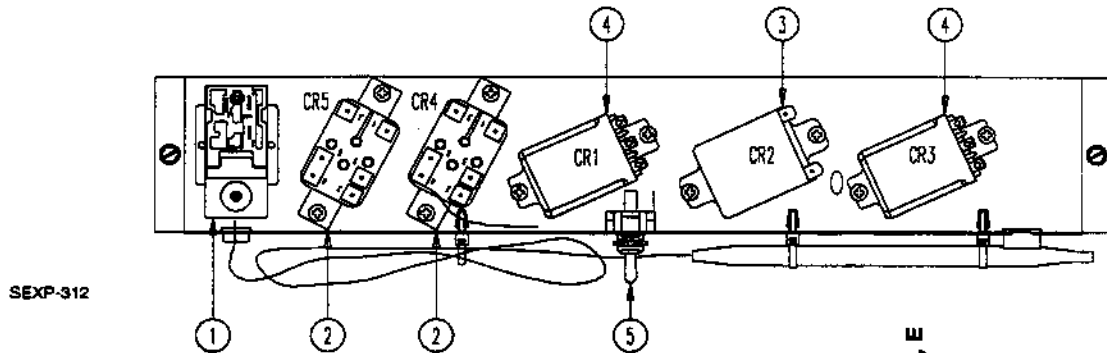
This Exploded View references Table on Page 10

CONTROL PANEL COMPONENTS

Drawing No.	Part No.	Description	QH241DA	QH301DA	QH361DA	QH421DA	QH481DA	QH241DB	QH301DB	QH361DB	QH421DB	QH481DB	QH241DC	QH301DC	QH361DC	QH421DC	QH481DC
1	116-186	Control Panel Top	X	X	X	X		X									X
2	116-184	Control Panel	X	X	X	X		X									X
3	8201-069	Heat Pump Control	X	X	X	X		X									X
4	8408-034	Condenser Motor Thermostat	X	X	X	X		X									X
5	126-266	Control Panel Base	X	X	X	X		X									X
6	8210-078	Low Pressure Bypass TDR	X	X	X	X		X									X
7	8552-002	Capacitor		X				X									X
7	8552-050	Capacitor	X														
7	8552-052	Capacitor		X													
7	8552-063	Capacitor			X												
7	8552-062	Capacitor				X											
8	8401-007	Contactor	X	X	X	X											
8	8401-002	Contactor						X									X
9	116-186	Control Panel Mounting Plate	X	X	X	X		X									X
10	8201-062	Relay WLR	X	X	X	X		X									X
11	8201-009	Relay LAB	X	X	X	X		X									X
12	8407-048	Transformer	X	X	X	X		X									X
13	8201-009	Relay OMR															X
14	8607-013	Terminal Block															X
15	8407-003	Transformer Stepdown 1.5 KVA															X
15	8407-004	Transformer Stepdown 2.0 KVA															X*
17	8614-041	Fuse Holder															X
18	8408-028	Outdoor Thermostat (Optional)	X	X	X	X		X									X
19	8607-017	Terminal Block	X	X	X	X		X									X
NS	8614-046	Fuse Class CC 5A															2
NS	8614-042	Fuse Class CC 7A															2*

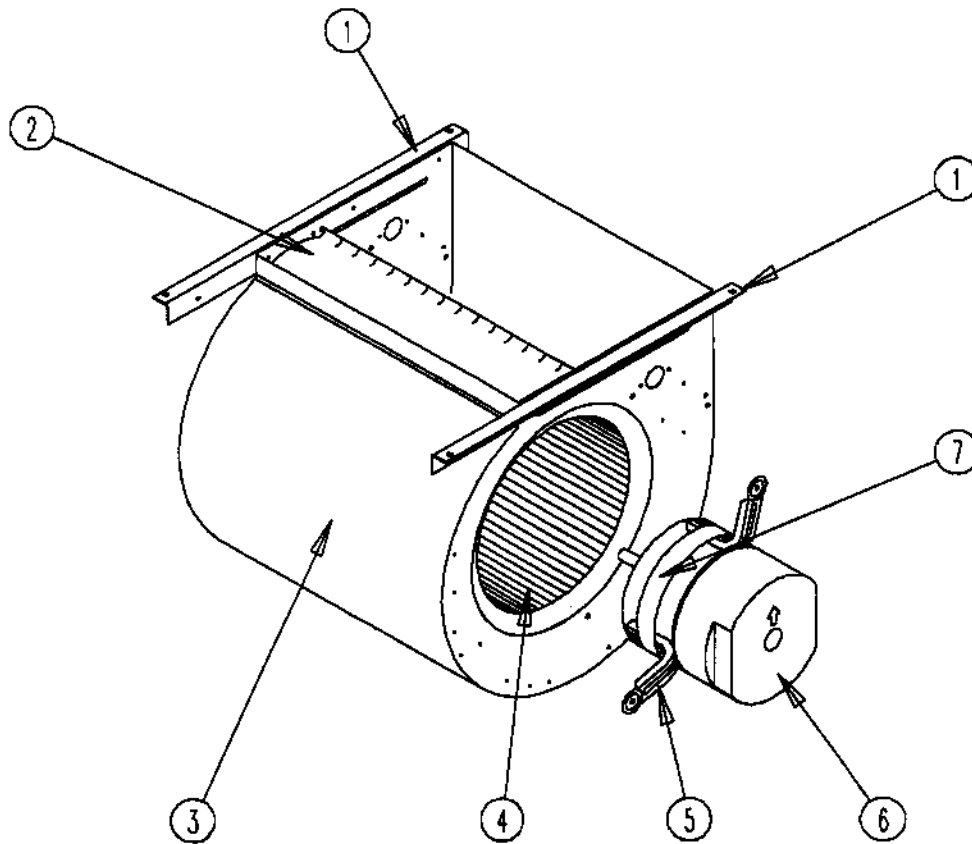
* 7 amp fuses are used with the 2 kVA transformer which is shipped as standard on any units employing an energy recovery ventilator.

This Table references Exploded View on Page 9



Drawing No.	Part No.	Description	Options X, E	Option F
1	8408-037	Return Air Thermostat	X	X
2	8201-062	Relay CR5, CR4	2	2
3	8201-048	Relay CR2	X	X
4	8201-071	Relay CR1, CR3	2	2
5	8406-020	Toggle Switch	X	X
NS	3000-1103	Wire Harness P2 to P4	X	
NS	3000-1093	Wire Harness P2 to P4		X

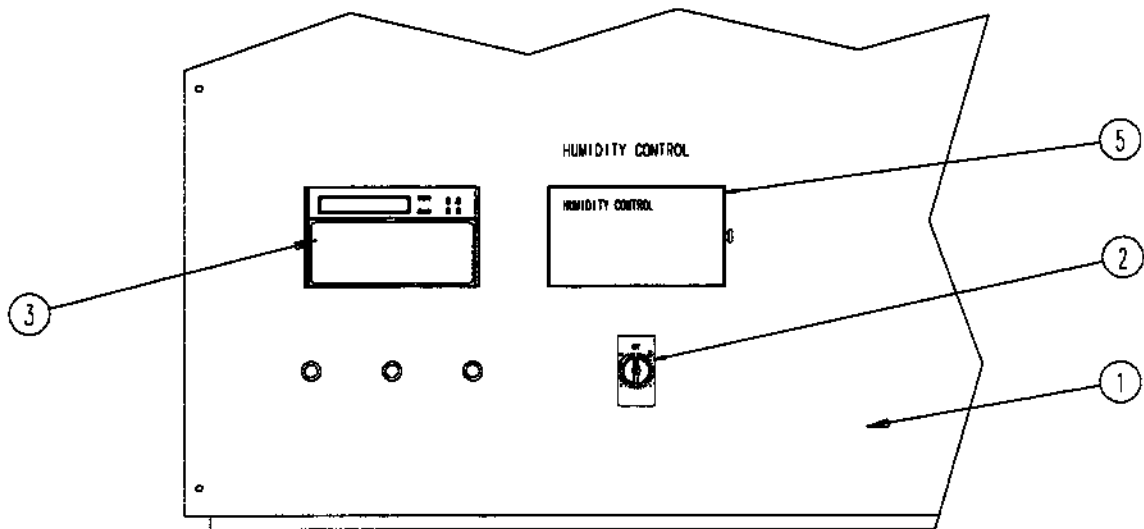
BLOWER ASSEMBLY COMPONENTS



Drawing

No.	Part No.	Description	900-225-001	900-225-002	900-225-004	900-225-005
1	104-980	Blower Angle	2	2	2	2
2	144-131	Diffuser	X	X	X	X
3	151-110	Blower Housing	X	X	X	X
4	5152-061	Blower Wheel	X	X	X	X
5	8200-034	Motor Mount Arm	3	3	3	3
6	8106-035-0003	Motor	X			
6	8106-035-0004	Motor		X		
6	8106-035-0005A	Motor			X	
6	8106-035-0006	Motor				X
7	8200-033	Motor Mount Band	X	X	X	X

OPTIONAL CLIMATE CONTROLS



SEXP-313

OPTIONAL CLIMATE CONTROL REPLACEMENT PARTS –

See table below to determine which Climate Control Option is installed:

Drawing No.	Part No.	Description	QH241, QH301, QH361, QH421			QH481		
			Option X	Option E	Option F	Option X	Option E	Option F
1	552-270-6	Blower Door	X					
1	552-272-6	Blower Door		X				
1	552-323-6	Blower Door			X			
1	552-306-6	Blower Door				X		
1	552-311-6	Blower Door					X	
1	552-324-6	Blower Door						X
2	8612-015	Timer			X			X
3	8403-034	Electronic/Programmable/Manual/Auto Change Over		X			X	
3	8403-042	Thermostat Electronic			X			X
5	8403-038	Humidistat		X	X		X	X
NS	4102-007	Wiring Diagram	X			X		
NS	4102-006	Wiring Diagram		X			X	
NS	4102-011	Wiring Diagram			X			X
NS	3000-1051	Wire Harness, Lights to P1	X	X	X	X	X	X
NS	3000-1075	Wire Harness, Low Voltage Terminal Strip to P4	X			X		
NS	3000-1054	Wire Harness, Thermostat to P4		X			X	
NS	3000-1094	Wire Harness, Thermostat to P4			X			X
NS	8607-019	Terminal Strip 14 Terminal	X			X		
NS	8607-021	Terminal Strip 8 Terminal	X			X		

NS Not Shown

CLIMATE CONTROL OPTION NOMENCLATURE AS SHOWN IN UNIT MODEL NUMBER

QH 361 - A 09 X X X X X X

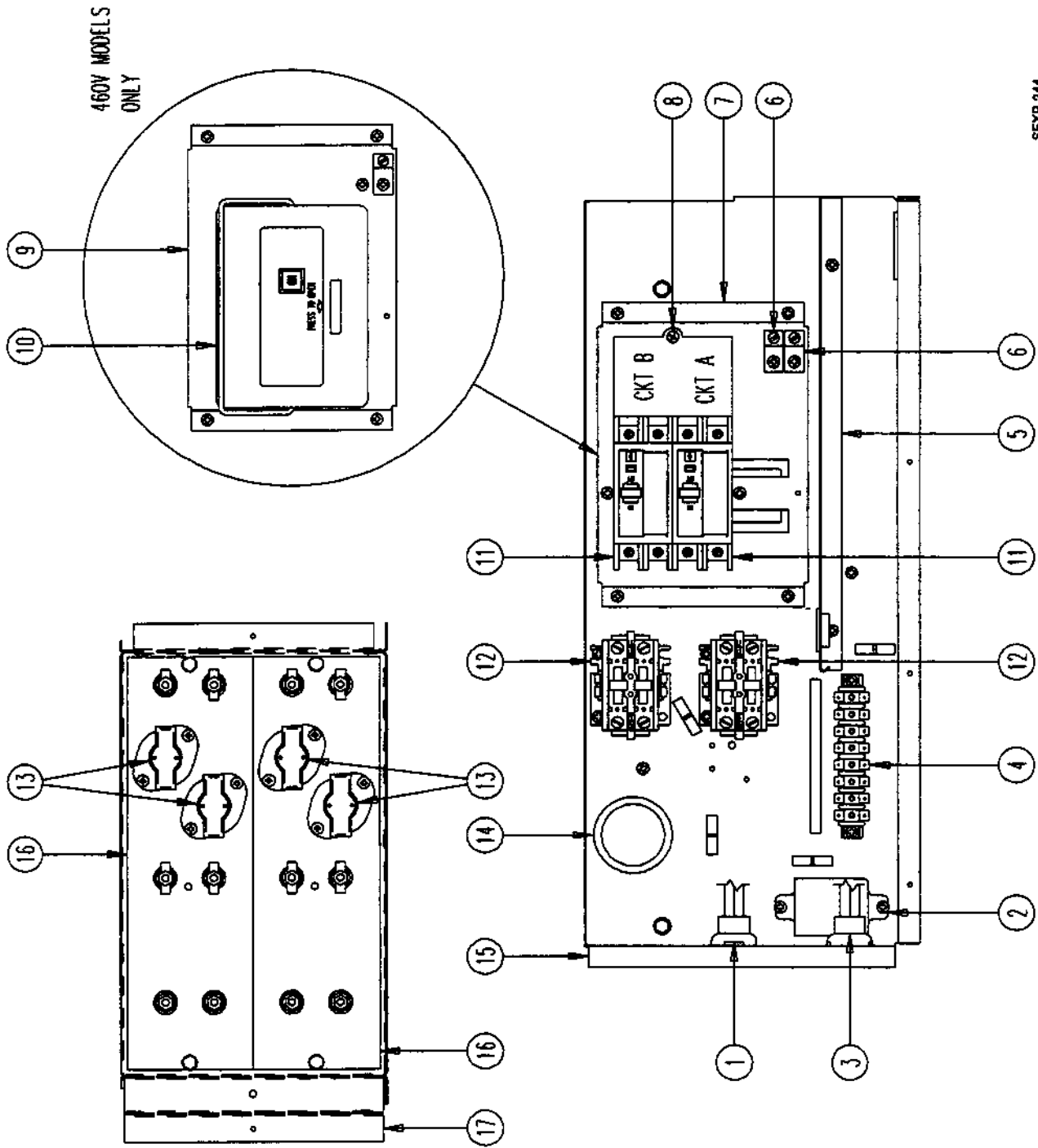
X – None

E – Electronic, programmable, manual/auto change over, with humidistat

F – Electronic/Non-Programmable/ Manual Auto Changeover with humidistat and timer

OPTIONAL HEATER COMPONENTS

SEXP-244



This Exploded View references Tables on pages 14, 15, and 16

OPTIONAL HEATER COMPONENTS

Drawing No.	Part No.	Description	QH241DA0Z	QH301DA0Z	QH361DA0Z	QH421DA0Z	QH481DA0Z	QH241DA05	QH361DA05	QH421DA05	QH481DA05	QH241DA10	QH361DA10	QH421DA10	QH481DA10	QH361DA15	QH421DA15	QH481DA15
1	3000-1044	Wire Set	X		X	X	X	X	X	X	X	X	X	X	X	X	X	X
2	8201-048	Relay	X		X	X	X	X	X	X	X	X	X	X	X	X	X	X
3	3000-1043	Wire Set	X		X	X	X	X	X	X	X	X	X	X	X	X	X	X
4	8607-022	Terminal Block	X		X	X	X	X	X	X	X	X	X	X	X	X	X	X
5	116-190	Box Partition	X		X	X	X	X	X	X	X	X	X	X	X	X	X	X
6	8611-006	Ground Lug	X		X	X	X	X	X	X	X	X	X	X	X	X	X	X
7	126-267	Circuit Breaker Base	X		X	X	X	X	X	X	X	X	X	X	X	X	X	X
8	8615-047	Jumper Bar Base																
11	8615-036	Circuit Breaker 2 Pole 25A Ckt B	X															
11	8615-037	Circuit Breaker 2 Pole 30A Ckt A																
11	8615-055	Circuit Breaker 2 Pole 40A Ckt A																
11	8615-039	Circuit Breaker 2 Pole 45A Ckt A																
11	8615-040	Circuit Breaker 2 Pole 50A Ckt A																
11	8615-040	Circuit Breaker 2 Pole 50A Ckt B																
11	8615-041	Circuit Breaker 2 Pole 60A Ckt A																
12	8401-006	Contactor 2 Pole 20A																
13	8402-100	Limits																
14	8611-026	Snap Bushings 1-3/4	X		X	X	X	X	X	X	X	X	X	X	X	X	X	X
15	116-189	Heater Box	X		X	X	X	X	X	X	X	X	X	X	X	X	X	X
16	8604-103	Heat Strip 5 KW																
16	8604-104	Heat Strip 10 KW																
17	116-191	Heat Strip Wrapper	X		X	X	X	X	X	X	X	X	X	X	X	X	X	X
NS	132-145	Heat Strip Cover	X		X	X	X	X	X	X	X	X	X	X	X	X	X	X
NS	4101-100	Wiring Diagram Heater Package	X		X	X	X	X	X	X	X	X	X	X	X	X	X	X
NS	4101-101	Wiring Diagram Heater Package																
NS	4101-102	Wiring Diagram Heater Package																
NS	4101-103	Wiring Diagram Heater Package																
NS	4101-106	Wiring Diagram Heater Package																

NS = Not Shown

This Table references Exploded View on Page 13

OPTIONAL HEATER COMPONENTS

Drawing No.	Part No.	Description	QH241DB02	QH301DB02	QH361DB02	QH421DB02	QH481DB02	QH241DB06	QH301DB06	QH361DB06	QH421DB06	QH481DB06	QH241DB09	QH301DB09	QH361DB09	QH421DB09	QH481DB09	QH301DB12	QH361DB15	QH421DB15	QH481DB15
1	3000-1044	Wire Set	X															X			
2	8201-048	Relay																X			
3	3000-1043	Wire Set	X	X														X			
4	8607-022	Terminal Block	X	X														X			
5	116-190	Box Partition	X	X														X			
6	8611-006	Ground Lug	X	X														X			
7	126-267	Circuit Breaker Base	X	X														X			
11	8615-054	Circuit Breaker 3 Pole 20A	X	X																	
11	8615-051	Circuit Breaker 3 Pole 25A																			
11	8615-052	Circuit Breaker 3 Pole 30A																			
11	8615-042	Circuit Breaker 3 Pole 35A																			
11	8615-043	Circuit Breaker 3 Pole 40A																			
11	8615-044	Circuit Breaker 3 Pole 45A																			
11	8615-045	Circuit Breaker 3 Pole 50A																			
11	8615-046	Circuit Breaker 3 Pole 60A																			
12	8401-006	Contactor 2 Pole 20A																			
13	8402-100	Limits																			
14	8611-026	Snap Bushings 1-3/4	X	X																	
15	116-189	Heater Box	X	X																	
16	8604-105	Heat Strip 6 KW																			
16	8604-104	Heat Strip 9 KW																			
17	116-191	Heat Strip Wrapper	X	X																	
NS	132-145	Heat Strip Cover	X	X																	
NS	4101-200	Wiring Diagram Heater Package	X	X																	
NS	4101-201	Wiring Diagram Heater Package																			
NS	4101-202	Wiring Diagram Heater Package																			
NS	4101-203	Wiring Diagram Heater Package																			

NS = Not Shown

This Table references Exploded View on Page 13

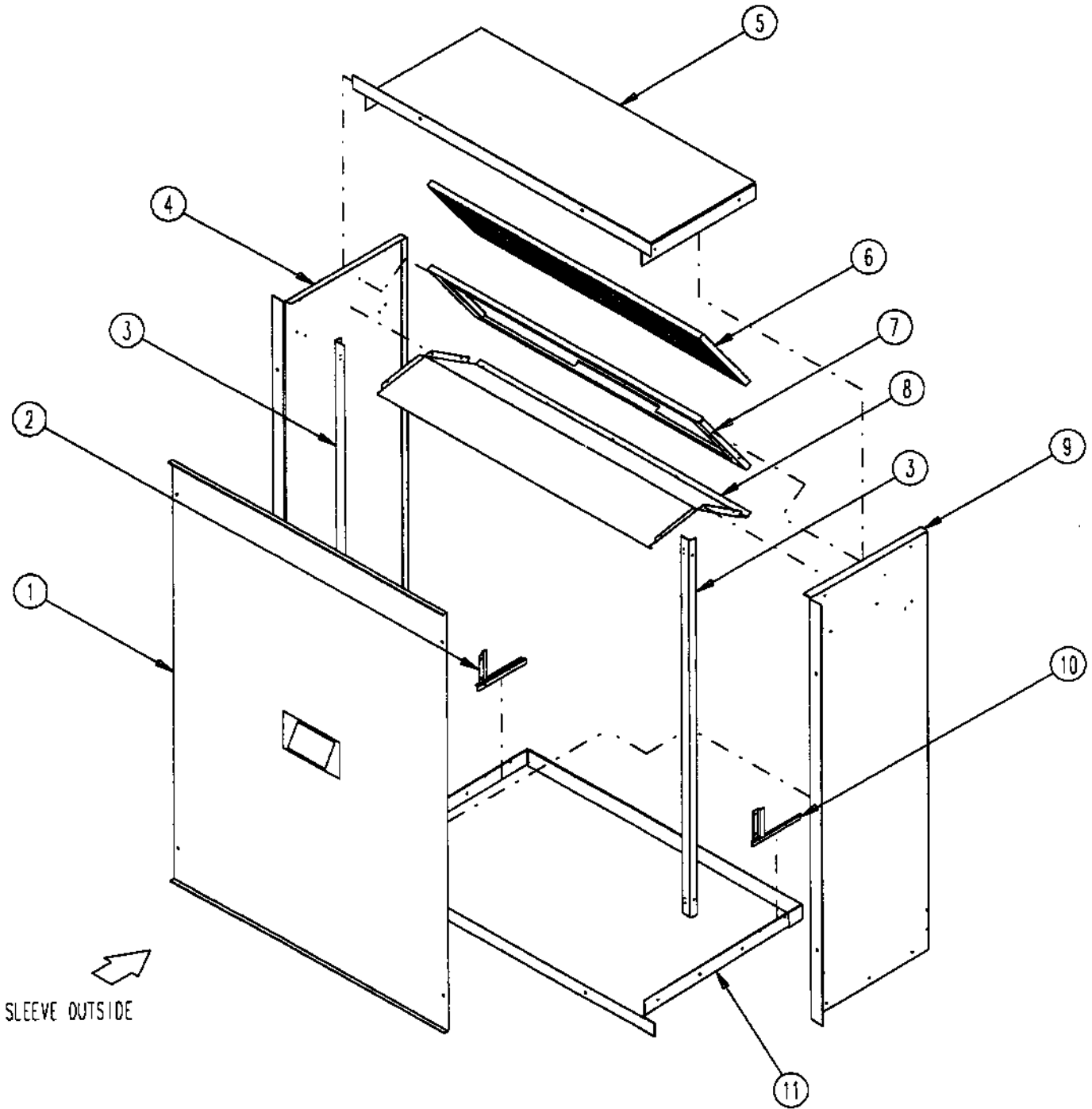
OPTIONAL HEATER COMPONENTS

Drawing No.	Part No.	Description	QH241DC02	QH301DC02	QH361DC02	QH421DC02	QH481DC02	QH241DC06	QH301DC06	QH361DC06	QH421DC06	QH481DC06	QH241DC09	QH301DC09	QH361DC09	QH421DC09	QH481DC09	QH301DC12	QH301DC15	QH421DC15	QH481DC15
1	3000-1044	Wire Set																X			
2	8201-048	Relay																X			
3	3000-1043	Wire Set			X													X			
4	8607-022	Terminal Block			X													X			
5	116-190	Box Partition			X													X			
6	8611-006	Ground Lug			X													X			
9	126-269	Pull Disconnect Base			X													X			
10	8615-053	Pull Disconnect			X													X			
12	8401-002	Contactors 3 Pole 25A																X			
13	8402-100	Limits																2			
14	8611-026	Snap Bushings 1-3/4																4			
15	116-189	Heater Box			X													X			
16	8604-107	Heat Strip 6 KW 480V			X													X			
16	8604-108	Heat Strip 9 KW 480V			X													2			
17	116-191	Heat Strip Wrapper																X			
NS	132-145	Heat Strip Cover			X													X			
NS	4101-300	Wiring Diagram Heater Package			X													X			
NS	4101-301	Wiring Diagram Heater Package			X													X			
NS	4101-302	Wiring Diagram Heater Package																			
NS	4101-303	Wiring Diagram Heater Package																			

NS = Not Shown

This Table references Exploded View on Page 13

WALL SLEEVE CABINET COMPONENTS



This Exploded View references Table on pages 18

WALL SLEEVE CABINET COMPONENTS

Drawing No.	Part No.	Description	QWS42	QWS42-16	QWS48
1	142-056	Cover	X	X	
1	142-068	Cover			X
2	136Y361	Left Side Seal Angle	X	X	X
3	104-988	Angle	2	2	2
4	110Y045	Left Side	X		X
4	110Y048	Left Side		X	
5	110-047	Top	X		
5	110-050	Top		X	
5	110-056	Top			X
6	7003-044	Mist Eliminator	X	X	X
7	130-120	Filter Tray	X	X	
7	130-128	Filter Tray			X
8	120-305	Partition	X		
8	120-309	Partition		X	
8	120-322	Partition			X
9	110X045	Right Side	X		X
9	110X048	Right Side		X	
10	136X361	Right Side Seal Angle	X	X	
10	136-404	Right Side Seal Angle			X
11	111-046	Base	X		
11	111-049	Base		X	
11	111-055	Base			X

This Table references Exploded View on Page 17