
REPLACEMENT PARTS MANUAL

WALL MOUNTED PACKAGE AIR CONDITIONER

Models: **WL701**
WL702
WL721

General Notes

- Revised and/or additional pages may be issued from time to time.
- A complete and current manual consists of pages shown in the following contents section.

Important

- Contact the installing and/or local Bard distributor for all parts requirements. Make sure you have the complete model and serial number available from the unit rating plates.

Contents

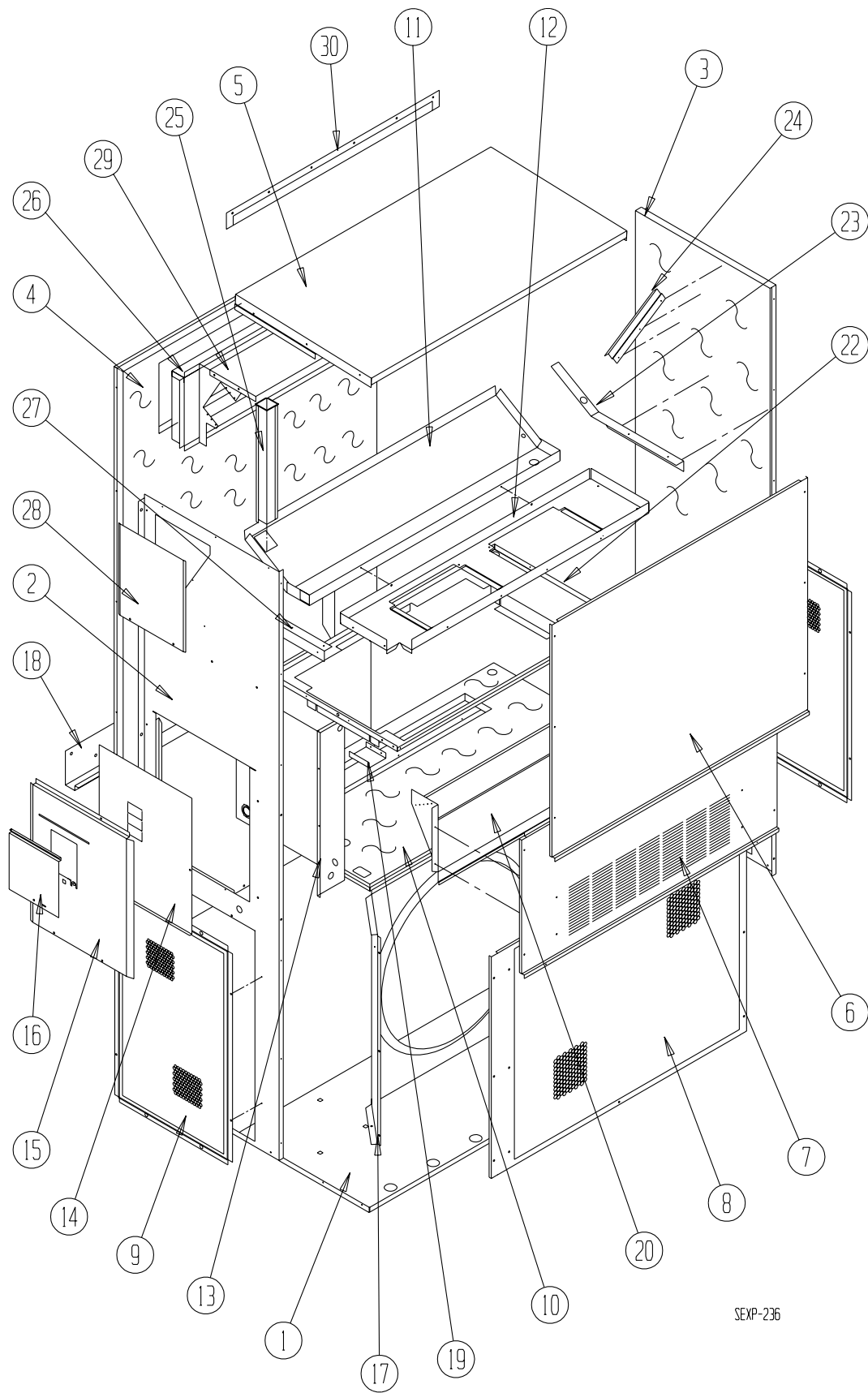
Description	Page
Cabinet Components	
♦ Exploded View	2
♦ Usage List	3
Functional Components	
♦ Exploded View	4
♦ Usage List	5
Control Panel	
♦ Exploded View	6
♦ Usage List	7
Blower Assembly	
♦ Exploded View	8
♦ Usage List	8



Bard Manufacturing Company, Inc.
Bryan, Ohio 43506
Since 1914...Moving ahead, just as planned.

Manual: 2110-468D
Supersedes: 2110-468C
File: Tab 16
Date: 10-19-06

CABINET COMPONENTS



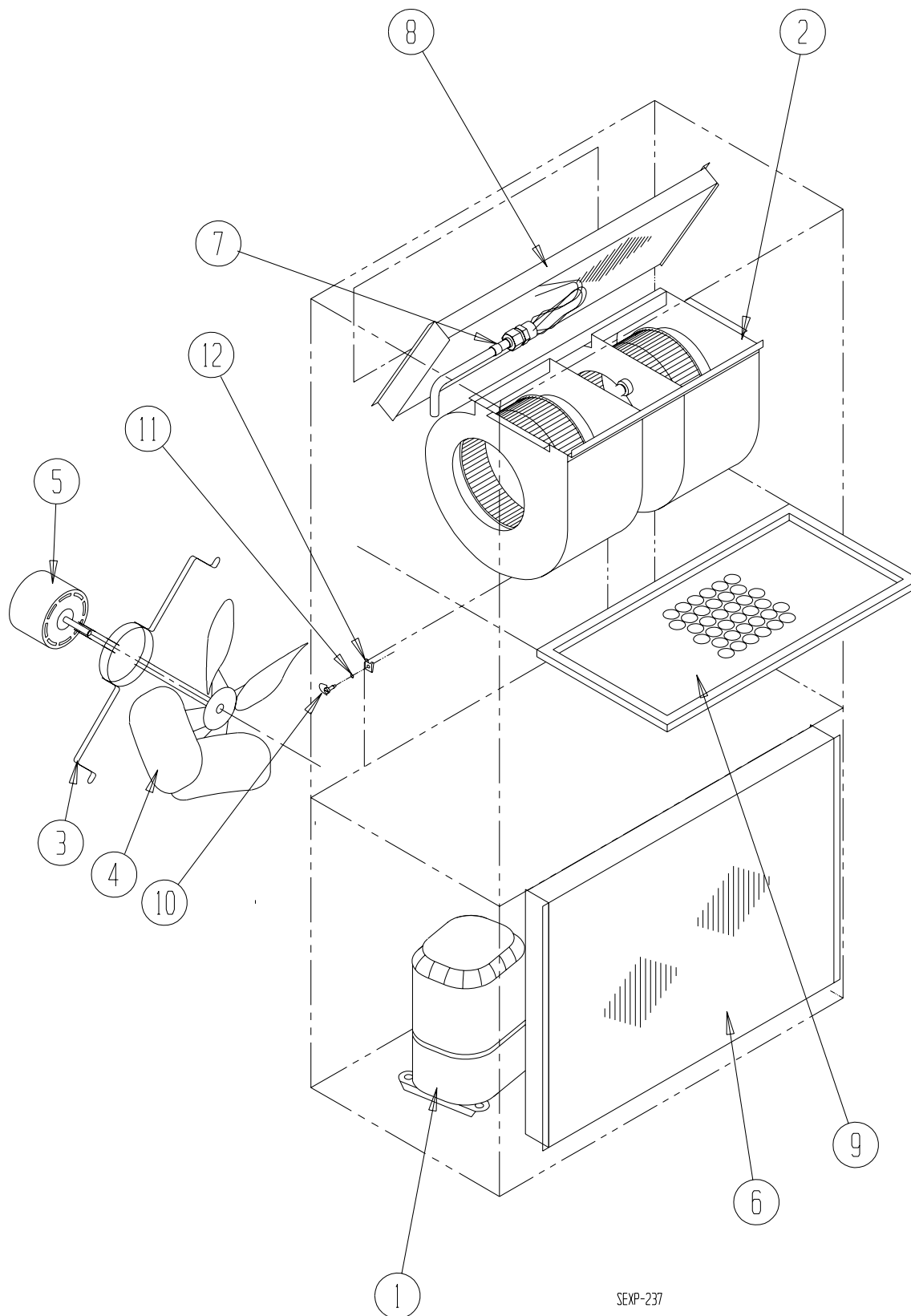
SEXP-236

CABINET COMPONENTS

Drawing No.	Part No.	Description	WL702-A	WL701-B WL721-B	WL701-C, -F
1	S127Y214	Lower Base	X	X	X
2	S500-368-* ①	Left Side	X	X	X
3	S500-367-* ①	Right Side	X	X	X
4	S508-129	Back	X	X	X
5	S506-142-* ①	Top	X	X	X
6	S514-077-* ①	Upper Front	X	X	X
7	S552-224-* ①	Service Door	X	X	X
8	118-053-* ①	Condenser Grille	X	X	X
9	118-058-* ①	Side Grille	2	2	2
10	S521Y258	Condenser Partition	X	X	X
11	123-091	Drain Pan	X	X	X
12	121Y216	Blower Partition	X	X	X
13	Control Panel Assembly	See Control Panel Assy. Drawing & Parts List	X	X	X
14	S132-114	Control Panel Cover (Inner)	X	X	X
14	S132-171	Control Panel Cover (Inner)			X
15	S533-140-* ①	Control Panel Cover (Outer)	X	X	X
16	S153-218-* ①	Disconnect Access Door	X	X	X
17	125-029	Fan Shroud	X	X	X
18	113-140	Bottom Mounting Bracket	X	X	X
19	137-209	Fill	X	X	X
20	BFAD-5	Fresh Air Damper Assembly	X	X	X
22	131Y099	Filter Tray	X	X	X
23	105Y877	Left Side Support	X	X	X
24	147-046	Left Evaporator Support	X	X	X
25	135-128	Raceway	2	2	2
26	S111Y034	Outlet Airframe Assembly	X	X	X
27	105Y878	Left Side Support	X	X	X
28	S143-042-* ①	Right Side Cover Plate (Outer)	X	X	X
29	135-129	Heat Shield	X	X	X
30	113-150-* ①	Top Rain Flashing	X	X	X
NS	S536-258	Cond. Partition Block Off Plate	X	X	X

① **NOTE:** Exterior cabinet parts are manufactured with various paint color options. To insure that you receive the proper paint color, you must include the complete model and serial number of the unit for which cabinet parts are being ordered.

FUNCTIONAL COMPONENTS



SEXP-237

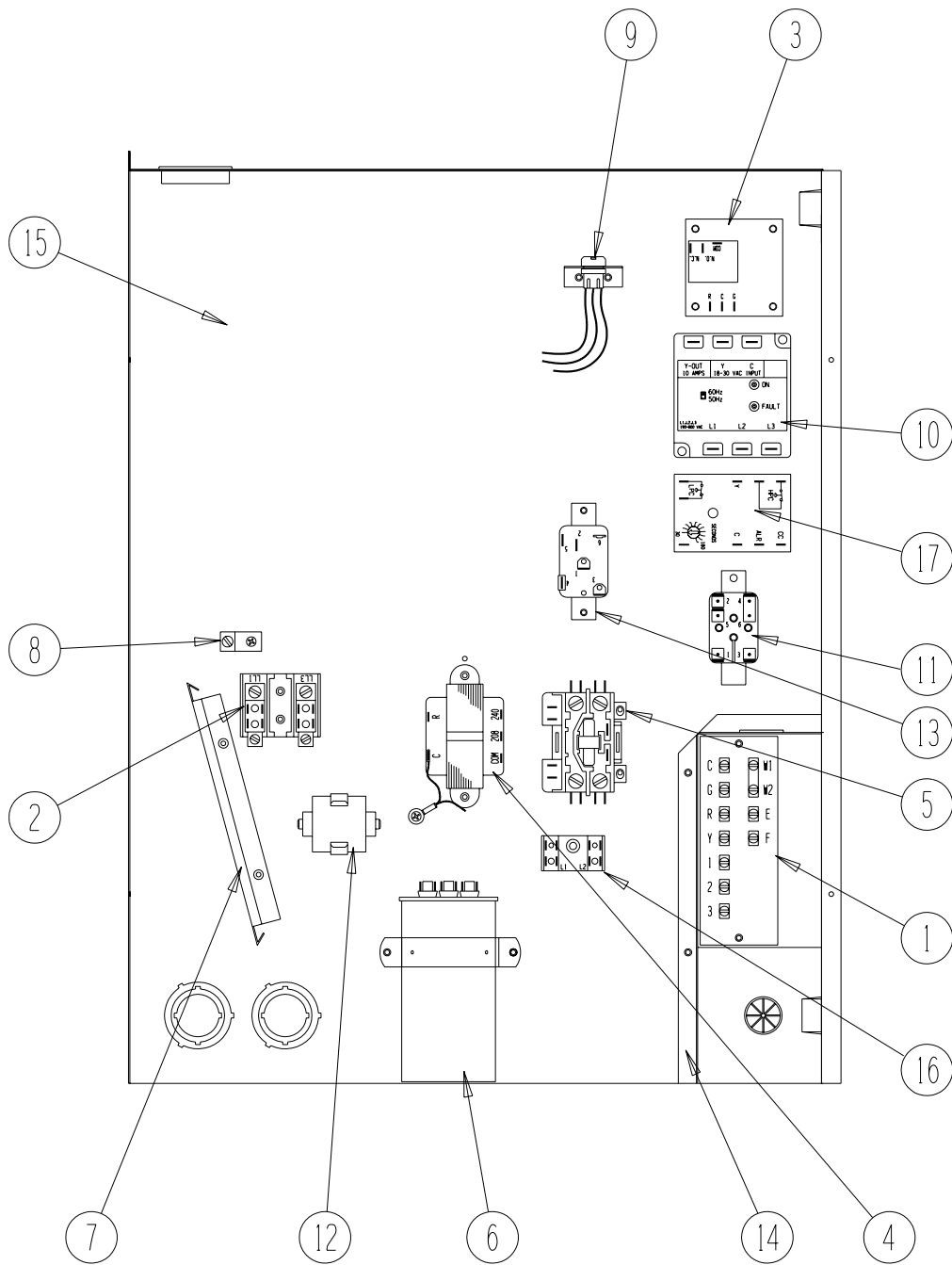
FUNCTIONAL COMPONENTS

Drawing No.	Part No.	Description	WL702-A	WL701-B	WL701-C	WL701-F	WL721-B
1	8000-264	Compressor	X				
1	8000-187	Compressor		X			X
1	8000-190	Compressor			X	X	
2	S900-185	Blower Assembly	X	X		X	X
2	S900-186	Blower Assembly			X		
3	8200-004	Fan Motor Mount	X	X	X	X	X
4	5151-027	Fan Blade	X	X	X	X	
4	5151-030	Fan Blade					X
5	8105-039	Condenser Motor	X	X		X	
5	8105-030	Condenser Motor (460V)			X		
5	8106-016	Condenser Motor					X
6	5051-088BX	Condenser Coil	X	X	X	X	X
7	5651-131	Expansion Valve	X	X	X	X	X
8	5060-082BX	Evaporator Coil	X	X	X	X	X
9	7004-016	Air Filter 1" Throw-Away	X	X	X	X	X
9	7003-030	Air Filter 1" Washable ①	X	X	X	X	X
9	7004-027	Air Filter 2" Pleated ①	X	X	X	X	X
10	1171-022	1/4 Turn Fastener	X	X	X	X	X
11	1171-024	1/4 Turn Retainer	X	X	X	X	X
12	1171-023	1/4 Receptacle	X	X	X	X	X
NS	1804-0106	High Pressure Switch (Flare) ①	X	X	X	X	X
NS	1804-0107	Low Pressure Switch (Flare) ①	X	X	X	X	X
NS	CMA-6	Low Ambient Control (Flare) ①	X	X	X	X	X
NS	800-0294	Distributor Assembly	X	X	X	X	X
NS	5210-010	Strainer	X	X	X	X	X
NS	8605-017	Crankcase Heater	X	X		X	X
NS	8605-018	Crankcase Heater			X		

NS = Not Shown

① = Optional

CONTROL PANEL



SEXP-336

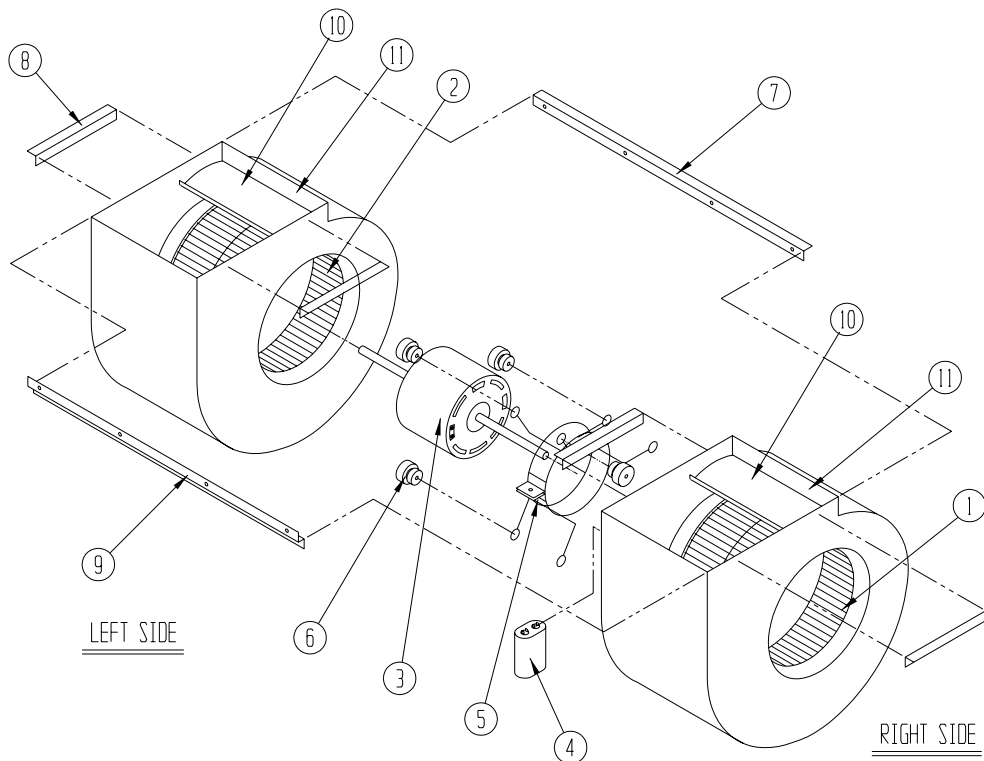
CONTROL PANEL

Drawing No.	Part No.	Description	WL702-A	WL701-B	WL701-C	WL701-F	WL721-B
1	8607-020	Low Voltage Terminal Strip	X	X	X	X	X
2	8607-013	Terminal Block 2 Pole	X			2	
2	8607-014	Terminal Block 3 Pole		X	X		X
2	8607-015	Phenolic Insulator			X		
3	8201-056	Blower Control	X	X		X	X
3	8201-032	Blower Relay			X		
4	8407-034	Transformer	X	X		X	X
4	8407-042	Transformer			X		
5	8401-025	Compressor Contactor	X				
5	8401-002	Compressor Contactor			X		
5	8401-027	Compressor Contactor		X		X	X
6	8552-058	Compressor Capacitor	X				
6	8552-004	Outdoor Motor Capacitor					X
6	8552-005	Outdoor Motor Capacitor		X	X	X	
7	135-130	Wire Shield	X	X	X	X	X
8	8611-006	Ground Terminal	X	X	X	X	X
9	3000-1017	6 Pin Connector	X	X	X	X	X
10	8201-085	Phase Monitor		X	X	X	X
11	8201-062	Alarm Relay (Optional)	X	X	X	X	X
12	CMC-15	Start Kit (Optional)	X				
13	8201-009	Crankcase Heat Relay	X	X			X
13	8201-032	Crankcase Heat Relay			X		
14	117Y139	Low Voltage Box	X	X	X	X	X
15	117Y143	Control Panel	X	X	X	X	X
16	8607-017	Terminal Block (Optional)	X	X	X	X	X
17	8201-088	Compressor Control Module	X	X	X	X	X
NS	4095-129	Wiring Diagram	X				
NS	4095-231	Wiring Diagram		X			X
NS	4095-320	Wiring Diagram			X		
NS	4095-627	Wiring Diagram				X	

NS = Not Shown

BLOWER ASSEMBLY

Drawing No.	Part No.	Description	900-185	900-186
1	5152-011	10-Inch Wheel (CW)	X	X
2	5152-012	10-Inch Wheel (CCW)	X	X
3	8106-030	Blower Motor (230/208)	X	
3	8106-025	Blower Motor (460)		X
4	8552-005	Capacitor	X	X
5	8200-040	Motor Mount	X	X
6	5451-011	Grommets	6	6
7	105-881	Back Brace	X	X
8	105-880	Side Angle	4	4
9	103-389	Front Brace	X	X
10	151-101	Housing	2	2
11	144-166	Diffuser	2	2



SEXP-178