
REPLACEMENT PARTS MANUAL

WALL MOUNTED PACKAGE AIR CONDITIONER

Models: **WA611**
WA701
WA702
WA721

General Notes

- Revised and/or additional pages may be issued from time to time.
- A complete and current manual consists of pages shown in the following contents section.

Important

- Contact the installing and/or local Bard distributor for all parts requirements. Make sure you have the complete model and serial number available from the unit rating plates.

Contents

Description	Page
Cabinet Components	
♦ Exploded View	2
♦ Usage List	3
Functional Components	
♦ Exploded View	4
♦ Usage List	5
Control Panel	
♦ Exploded View	6
♦ Usage List	7
Blower Assembly	
♦ Exploded View	8
♦ Usage List	8



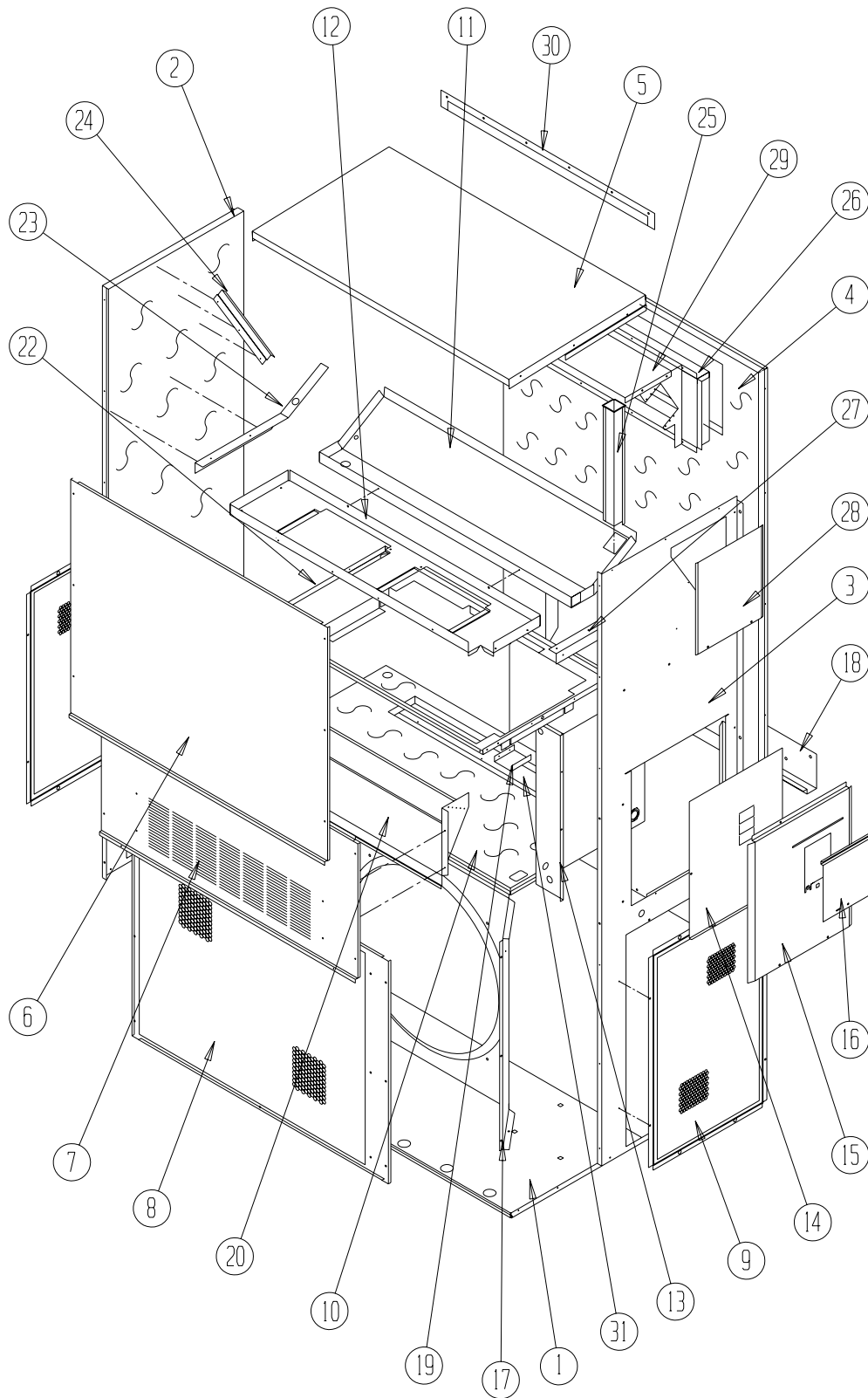
Climate Control Solutions

Bard Manufacturing Company, Inc.
Bryan, Ohio 43506

Since 1914...Moving ahead, just as planned.

Manual: 2110-466C
Supersedes: 2110-466B
File: Tab 16
Date: 02-08-08

CABINET COMPONENTS



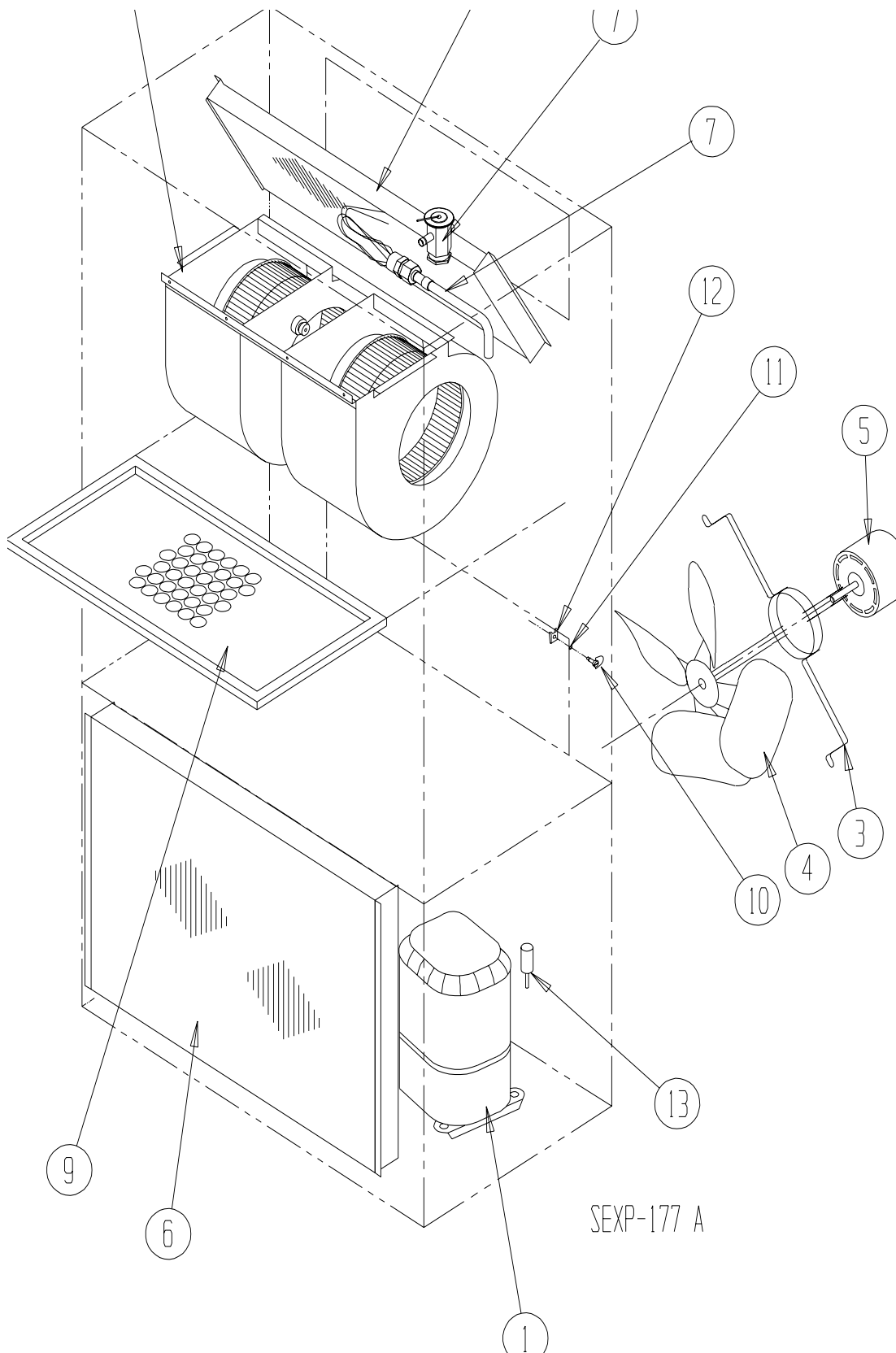
SEXP-175

CABINET COMPONENTS

Dwg. No.	Part Number	Description					
			WA611-A, WA702-A	WA611-C, WA701-B	WA611-C, WA701-C,F	WA721-B	WA721-C
1	S127X214	Lower Base	X	X	X	X	X
2	S500-316-* ①	Left Side	X	X	X	X	X
3	S500-315-* ①	Right Side	X	X	X	X	X
4	S508-129	Back	X	X	X	X	X
5	S506-142-* ①	Top	X	X	X	X	X
6	S514-077-* ①	Upper Front	X	X	X	X	X
7	S552-224-* ①	Service Door	X	X	X	X	X
8	118-052-* ①	Condenser Grille	X	X	X	X	X
9	118-058-* ①	Side Grille	2	2	2	2	2
10	S521X258	Condenser Partition	X	X	X	X	X
11	S123-102	Drain Pan	X	X	X	X	X
12	121X216	Blower Partition	X	X	X	X	X
13	Control Panel Assembly	See Control Panel Assembly Drawing and Parts List	X	X	X	X	X
14	S132-114	Control Panel Cover (Inner)	X	X		X	
14	S132-171	Control Panel Cover (Inner)			X		X
15	S533-113-* ①	Control Panel Cover (Outer)	X	X	X	X	X
16	S153-218-* ①	Disconnect Access Door	X	X	X	X	X
17	125-029	Fan Shroud	X	X	X	X	X
18	113-140	Bottom Mounting Bracket	X	X	X	X	X
19	137-209	Fill	X	X	X	X	X
20	BFAD-5	Fresh Air Damper Assembly	X	X	X	X	X
22	131X099	Filter Tray	X	X	X	X	X
23	105X877	Left Side Support	X	X	X	X	X
24	147-046	Left Evaporator Support	X	X	X	X	X
25	135-128	Raceway	2	2	2	2	2
26	S111X034	Outlet Air Frame Assembly	X	X	X	X	X
27	105X878	Right Side Support	X	X	X	X	X
28	S143-042-* ①	Right Side Cover Plate (Outer)	X	X	X	X	X
29	135-129	Heat Shield	X	X	X	X	X
30	113-150-* ①	Top Rain Flashing	X	X	X	X	X

① **NOTE:** Exterior cabinet parts are manufactured with various paint color options. To insure that you receive the proper paint color, you must include the complete model & serial number of the unit for which cabinet parts are being ordered.

FUNCTIONAL COMPONENTS



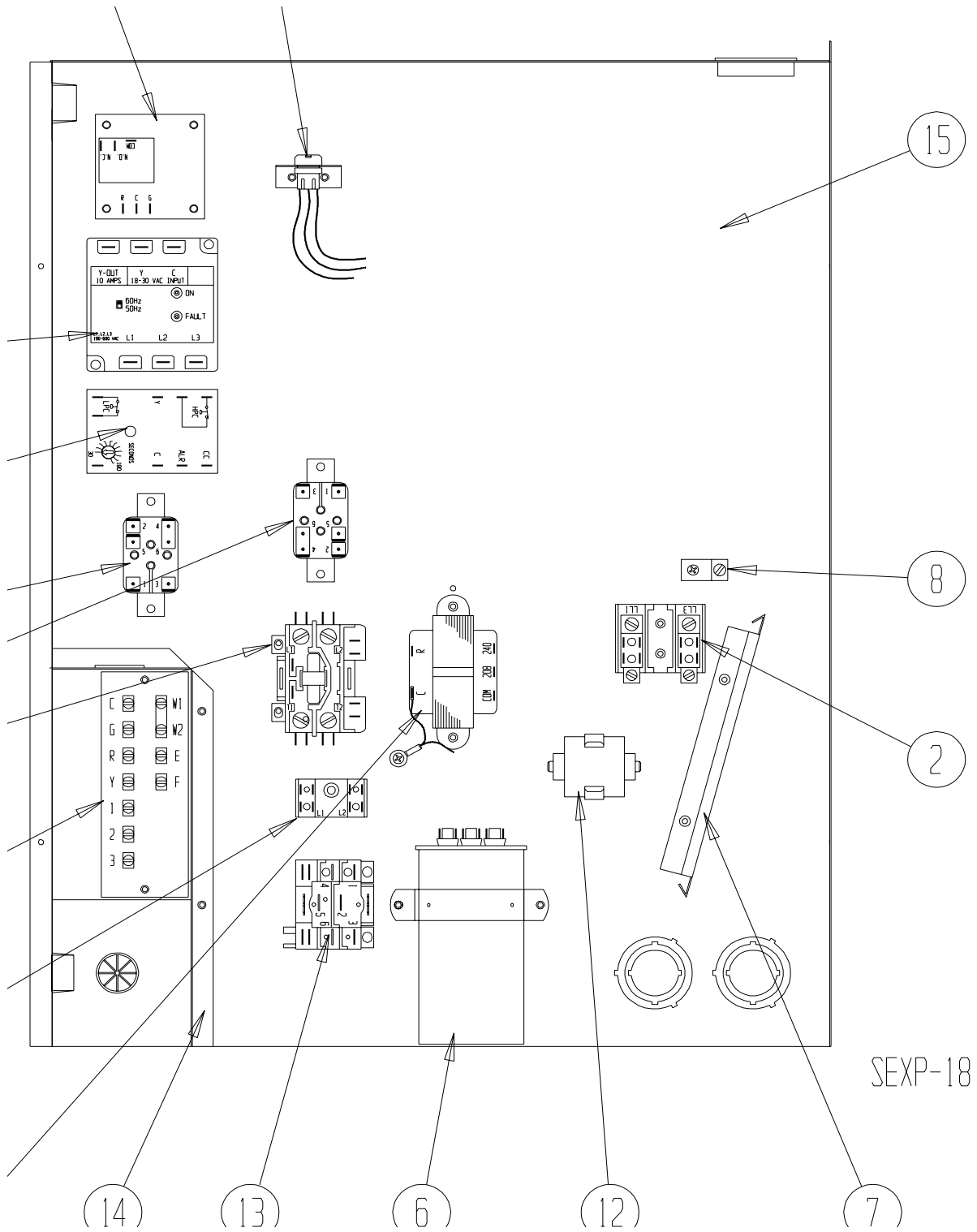
FUNCTIONAL COMPONENTS

Dwg. No.	Part Number	Description	WA611-A	WA611-B	WA611-C	WA702-A	WA701-B	WA701-C	WA701-F	WA721-B	WA721-C
1	8000-264	Compressor				X					
1	8000-187	Compressor					X			X	
1	8000-190	Compressor						X	X		X
1	8000-150	Compressor	X								
1	8000-162	Compressor		X							
1	8000-248	Compressor			X						
2	S900-185	Blower Assembly				X	X		X	X	
2	S900-186	Blower Assembly						X			X
2	S900-242	Blower Assembly	X	X							
2	S900-243	Blower Assembly			X						
3	8200-004	Fan Motor Mount	X	X	X	X	X	X	X	X	X
4	5151-027	Fan Blade	X	X	X	X	X	X	X		
4	5151-030	Fan Blade								X	X
5	8105-039	Condenser Motor	X	X		X	X		X		
5	8105-030	Condenser Motor (460V)			X			X			
5	8106-016	Condenser Motor								X	
5	8107-010	Condenser Motor (460V)									X
6	5051-088BX	Condenser Coil	X	X	X	X	X	X	X	X	X
7	5651-131	Expansion Valve				X	X	X	X	X	X
7	800-0237	Distributor Assembly				X	X	X	X	X	X
7	800-0312	Orifice Assembly	X	X	X						
8	5060-082BX	Evaporator Coil	X	X	X	X	X	X	X	X	X
9	7004-016	Air Filter 1" Throw-Away	X	X	X	X	X	X	X	X	X
9	7003-030	Air Filter 1" Washable	X	X	X	X	X	X	X	X	X
9	7004-027	Air Filter 2" Pleated	X	X	X	X	X	X	X	X	X
10	1171-022	1/4 Turn Fastener	X	X	X	X	X	X	X	X	X
11	1171-024	1/4 Turn Retainer	X	X	X	X	X	X	X	X	X
12	1171-023	1/4 Receptacle	X	X	X	X	X	X	X	X	X
NS	1804-0106	High Pressure Switch (Flare) ①	X	X	X	X	X	X	X	X	X
NS	1804-0107	Low Pressure Switch (Flare) ①	X	X	X	X	X	X	X	X	X
NS	CMA-6	Low Ambient Control (Flare) ①	X	X	X	X	X	X	X	X	X
NS	8605-017	Crankcase Heater 230V	X	X		X	X		X	X	
NS	8605-018	Crankcase Heater 460V			X			X			X

NS = Not Shown

① = Optional

CONTROL PANEL



CONTROL PANEL

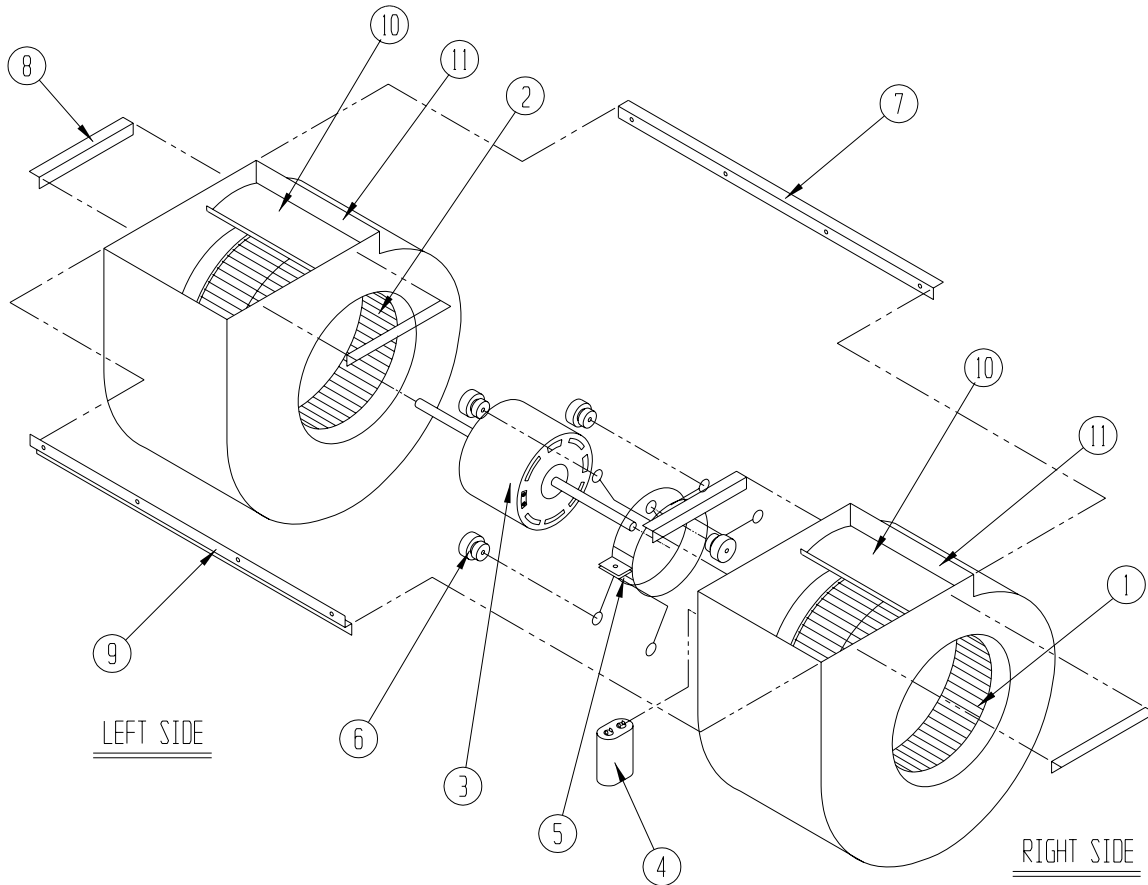
Drawing No.	Part No.	Description	WA611-A	WA611-B	WA611-C	WA702-A	WA701-B	WA701-C	WA701-F	WA721-B	WA721-C
1	8607-020	Low Voltage Terminal Strip	X	X	X	X	X	X	X	X	X
2	8607-013	Terminal Block 2 Pole	X			X			2		
2	8607-014	Terminal Block 3 Pole		X	X		X	X		X	X
2	8607-015	Phenolic Insulator			X			X			X
3	8201-056	Blower Control	X	X		X	X		X	X	
3	8201-032	Blower Relay			X			X			X
4	8407-034	Transformer	X	X		X	X		X	X	
4	8407-042	Transformer			X			X			X
5	8401-025	Compressor Contactor	X			X					
5	8401-002	Compressor Contactor			X			X			X
5	8401-027	Compressor Contactor		X			X		X	X	
6	8552-058	Compressor Capacitor	X			X					
6	8552-026	Outdoor Motor Capacitor			X			X			
6	8552-004	Outdoor Motor Capacitor								X	
6	8552-005	Outdoor Motor Capacitor		X			X		X		X
7	135-130	Wire Shield	X	X	X	X	X	X	X	X	X
8	8611-006	Ground Terminal	X	X	X	X	X	X	X	X	X
9	3000-1017	6 Pin Connector	X	X	X	X	X	X	X	X	X
10	8201-085	Phase Monitor		X	X		X	X	X	X	X
11	8201-062	Alarm Relay ①	X	X	X	X	X	X	X	X	X
12	CMC-15	Start Kit ①	X			X					
13	8201-009	Crankcase Heat Relay	X	X		X	X			X	
13	8201-032	Crankcase Heat Relay			X			X			X
14	117X139	Low Voltage Box	X	X	X	X	X	X	X	X	X
15	117X143	Control Panel	X	X	X	X	X	X	X	X	X
16	8607-017	Terminal Block ①	X	X	X	X	X	X	X	X	X
17	8201-088	Compressor Control Module	X	X	X	X	X	X	X	X	X
NS	4095-129	Wiring Diagram	X			X					
NS	4095-231	Wiring Diagram		X			X			X	
NS	4095-320	Wiring Diagram			X			X			
NS	4095-627	Wiring Diagram							X		
NS	4095-324	Wiring Diagram									X

NS = Not Shown

① = Optional

BLOWER ASSEMBLY

Drawing No.	Part No.	Description	S900-185	S900-186	S900-242	S900-243
1	5152-011	10 Inch Wheel (CW)	X	X	X	X
2	5152-012	10 Inch Wheel (CCW)	X	X	X	X
3	8106-030	Blower Motor (230/208)	X			
3	8106-025	Blower Motor (460)		X		
3	8104-012	Blower Motor (230/208)			X	
3	8104-014	Blower Motor (460)				X
4	8552-005	Capacitor	X	X	X	X
5	8200-040	Motor Mount	X	X	X	X
6	5451-011	Grommets	6	6	6	6
7	105-881	Back Brace	X	X	X	X
8	105-880	Side Angle	4	4	4	4
9	103-389	Front Brace	X	X	X	X
10	151-101	Housing	2	2	2	2
11	144-166	Diffuser	2	2	2	2



SEXP-178