

---

# Replacement Parts Manual

# Wall Mounted Package Air Conditioner

## Models: WA182T, WA242T

---

### General Notes

- Revised and/or additional pages may be issued from time to time.
- A complete and current manual consists of pages shown in the following contents section.

### Important

- Contact the installing and/or local Bard distributor for all parts requirements. Make sure you have the complete model and serial number available from the unit rating plate.

### Contents

Description	Page
Cabinet Components	
♦ Exploded View .....	1
♦ Usage List .....	2
Functional Components	
♦ Exploded View .....	3
♦ Usage List .....	4
Control Panel	
♦ Layout View .....	5
♦ Usage List .....	6
Blower Housing	
♦ Exploded View .....	7
♦ Usage List .....	7

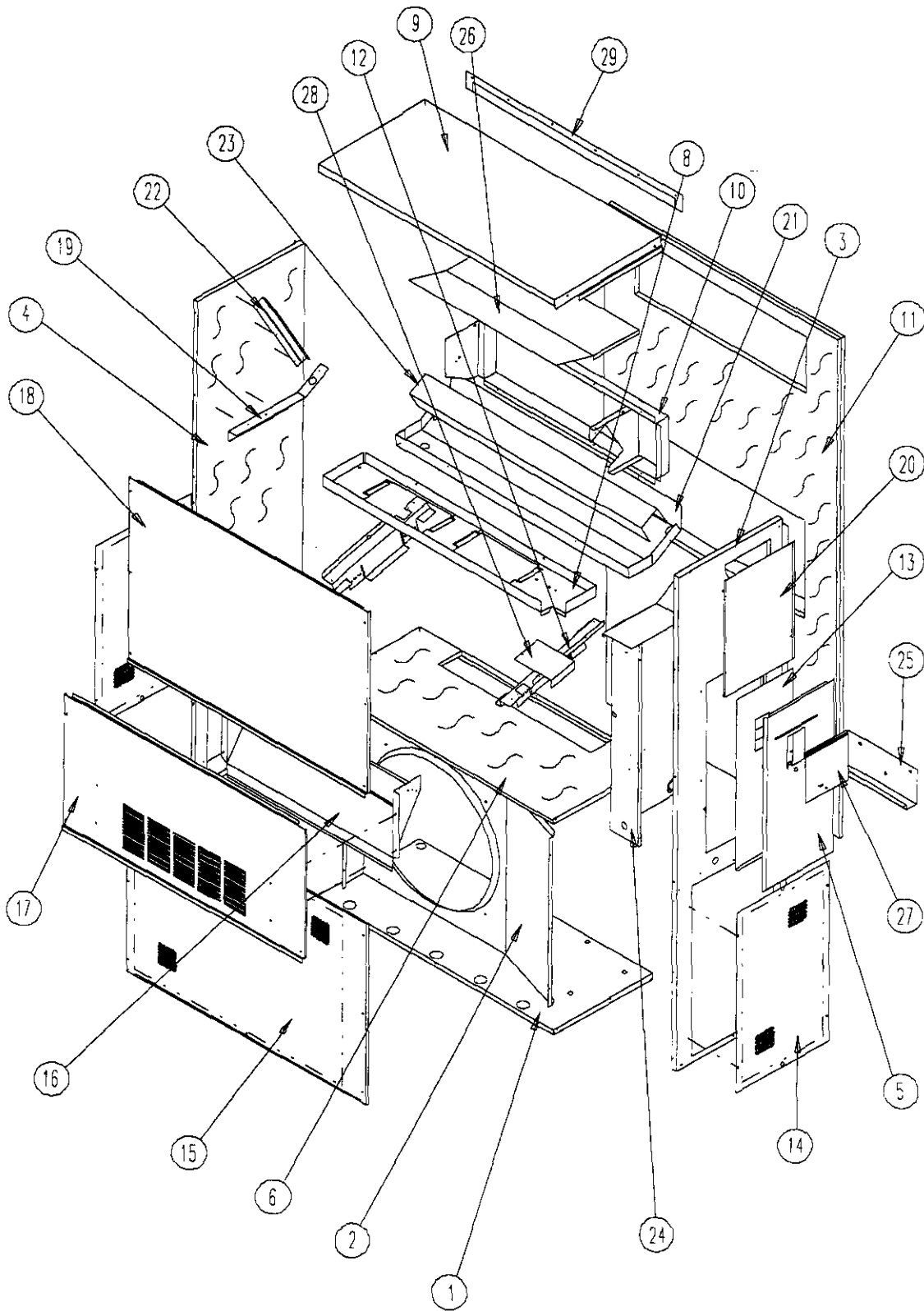


**BARD MANUFACTURING COMPANY**  
Bryan, Ohio 43506

*Since 1914...Moving ahead, just as planned.*

Manual: 2110-443  
Supersedes:  
File: 2150-004, Tab 16  
Date: 04-18-2000

# CABINET COMPONENTS



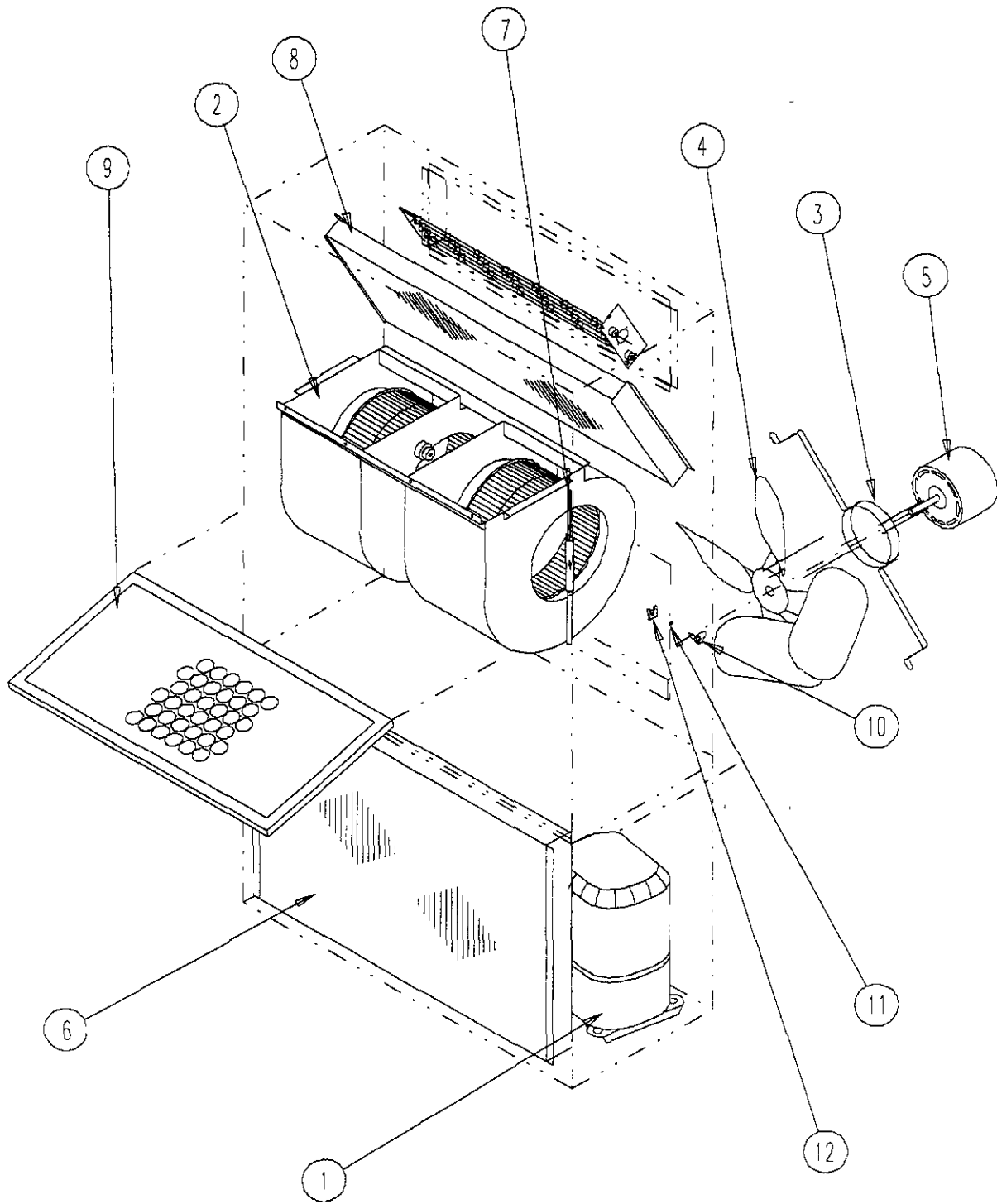
SEXP-171

# CABINET COMPONENTS

Drawing No.	Part No.	Description	WA182TA	WA242TA, TB
1	S127-204	Lower Base	X	X
2	125-023	Fan Shroud	X	X
3	S500-228-* (1)	Right Side	X	X
4	S500-229-* (1)	Left Side	X	X
5	S533-109-* (1)	Control Panel Cover (outer)	X	X
6	S521X204	Condenser Partition	X	X
8	121-190	Blower Partition	X	X
9	S506-137-* (1)	Top	X	X
10	S111-032	Outlet Airframe Assembly	X	X
11	S508-097	Back	X	X
12	113-195	Filter Bracket	2	2
13	S132-104	Control Panel Cover (inner)	X	X
14	118-028-* (1)	Side Grille	2	2
15	118-030-* (1)	Condenser Grille	X	X
16	962019	Fresh Air Damper Assembly	X	X
17	S552-213-* (1)	Service Door	X	X
18	S514-076-* (1)	Upper Front	X	X
19	105-850	Left Side Support	X	X
20	S143-034-* (1)	Right Side Cover Plate (outer)	X	X
21	S123-080	Drain Pan	X	X
22	147-044-* (1)	Left Evaporator Support	X	X
23	137-195	Bottom Evaporator Fill	X	X
24	Control Panel Assembly	(See Control Panel Assembly Drawing and Parts List)	X	X
25	113-140	Bottom Mounting Bracket	X	X
26	135-127	Heat Shield	X	X
27	S153-218-* (1)	Disconnect Access Door	X	X
28	137-259	Fill Plate	X	X
29	113-141-* (1)	Top Rain Flashing	X	X

(1) Exterior cabinet parts are manufactured with various color options. To insure that you receive the proper color, you must include the complete model and serial number of the unit for which parts are being ordered.

# FUNCTIONAL COMPONENTS



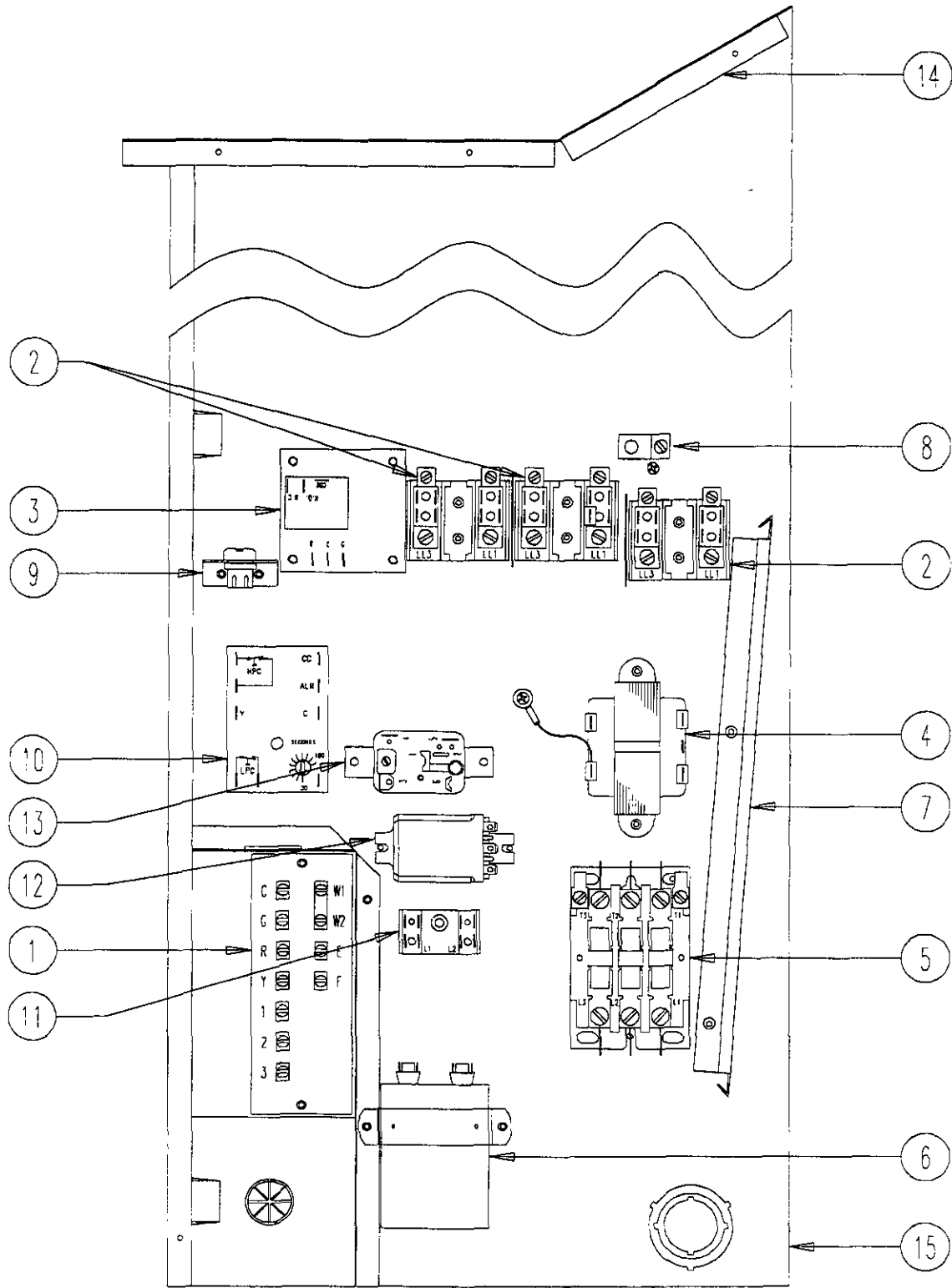
SEXP-234

# FUNCTIONAL COMPONENTS

Drawing No.	Part No.	Description	WA182TA	WA242TA	WA242TB
1	8000-139	Compressor	X		
1	8000-140	Compressor		X	
1	8000-141	Compressor			X
2	S900-1	Blower Assembly	X	X	X
3	8200-1	Fan Motor Mount	X	X	X
4	5151-033	Fan Blade	X	X	X
5	8103-022	Condenser Motor	X	X	X
6	5051-071	Condenser Coil			X
7	800-0197	Cooling Capillary Assembly	X		
7	800-0198	Cooling Capillary Assembly		X	X
8	5060-066	Evaporator Coil		X	X
8	5060-067	Evaporator Coil	X		
9	7004-011	Air Filter 1" Throw-Away	X	X	X
9	7003-032	Air Filter 1" Washable (Optional)	X	X	X
9	7004-025	Air Filter 2" Pleated (Optional)	X	X	X
10	1171-022	1/4" Turn Fastener	X	X	X
11	1171-024	1/4" Turn Retainer	X	X	X
12	1171-023	1/4" Receptacle	X	X	X
NS	1804-0106	High Pressure Switch (Flare)	X	X	X
NS	1804-0107	Low Pressure Switch (Flare)	X	X	X
NS	CMA-6	Low Ambient Control (Flare)	X	X	X
NS	8406-087	Modulating Low Ambient Control 60HZ (Optional)	X	X	X

NS — Not Shown

# CONTROL PANEL COMPONENTS

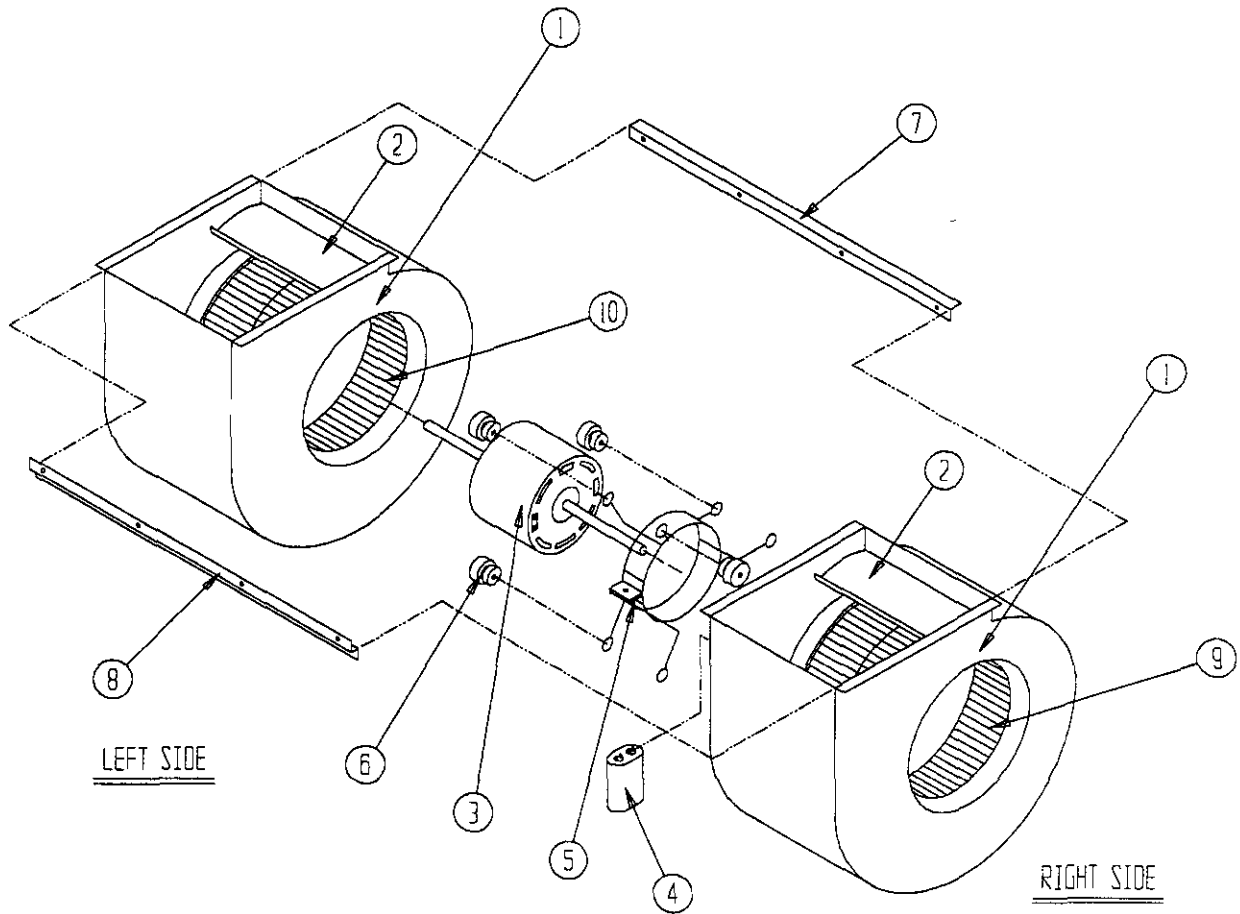


# CONTROL PANEL COMPONENTS

Drawing No.	Part No.	Description	WA182TA	WA242TA	WA242TB
1	8607-020	Low Voltage Terminal Strip	X	X	X
2	8607-013	Terminal Block 2 Pole	2	2	X
2	8607-014	Terminal Block 3 Pole			X
3	8201-056	Blower Control	X	X	X
4	8407-034	Transformer	X	X	X
5	8401-007	Compressor Contactor	X	X	
5	8401-002	Compressor Contactor			X
6	8552-046	Compressor Capacitor	X		
6	8552-047	Compressor Capacitor		X	
6	8552-002	Outdoor Motor Capacitor			X
7	135-122	Wire Shield	X	X	X
8	8611-006	Ground Terminal	X	X	X
9	3000-1066	6 Pin Connector	X	X	X
10	8201-087	Compressor Control Module	X	X	X
11	8607-017	Terminal Block	X	X	X
12	8201-074	Inverter Relay	X	X	X
13	8201-062	Alarm Relay	X	X	X
14	117-137	Control Panel Top	X	X	X
15	117-123	Control Panel	X	X	X
NS	4095-131	Wiring Diagram	X	X	
NS	4095-233	Wiring Diagram			X

NS = Not Shown

# BLOWER ASSEMBLY



SEXP-346

Drawing No.	Part No.	Description	900-248
1	151-115	Housing	X
2	144-183	Cutoff	X
3	8102-011	Blower Motor (230/208)	X
4	8552-002	Capacitor	X
5	8200-031	Motor Mount	X
6	5451-011	Grommets	6
7	105-1061	Back Brace	X
8	103-435	Front Brace	X
9	5152-092	Wheel 9-6 CW	X
10	5152-093	Wheel 9-6 CCW	X