
Replacement Parts Manual

Wall Mounted Package Air Conditioner

MODEL: WL251

General Notes

- Revised and/or additional pages may be issued from time to time.
- A complete and current manual consists of pages shown in the following contents section.

Important

- Contact the installing and/or local Bard distributor for all parts requirements. Make sure you have the complete model and serial number available from the unit rating plates.

Contents

Description	Page
Cabinet Components	
♦ Exploded View	1
♦ Usage List	2
Functional Components	
♦ Exploded View	3
♦ Usage List	4
Control Panel	
♦ Exploded View	5
♦ Usage List	6
Blower Assembly	
♦ Exploded View	7
♦ Usage List	7

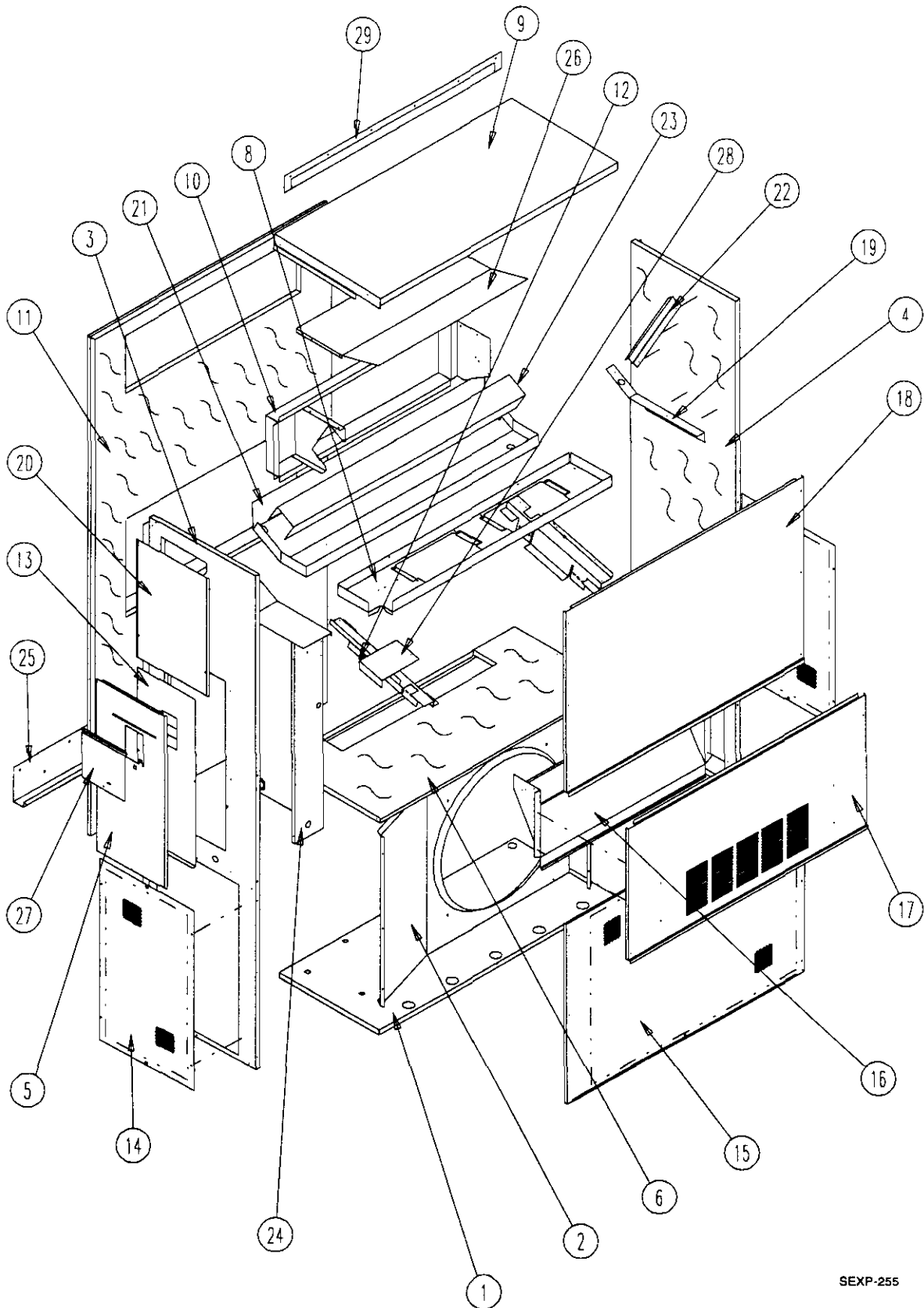


BARD MANUFACTURING COMPANY
Bryan, Ohio 43506

Since 1914...Moving ahead, just as planned.

Manual: 2110-432
File: 2150-004 Tab 16
Date: 04-27-98

CABINET COMPONENTS



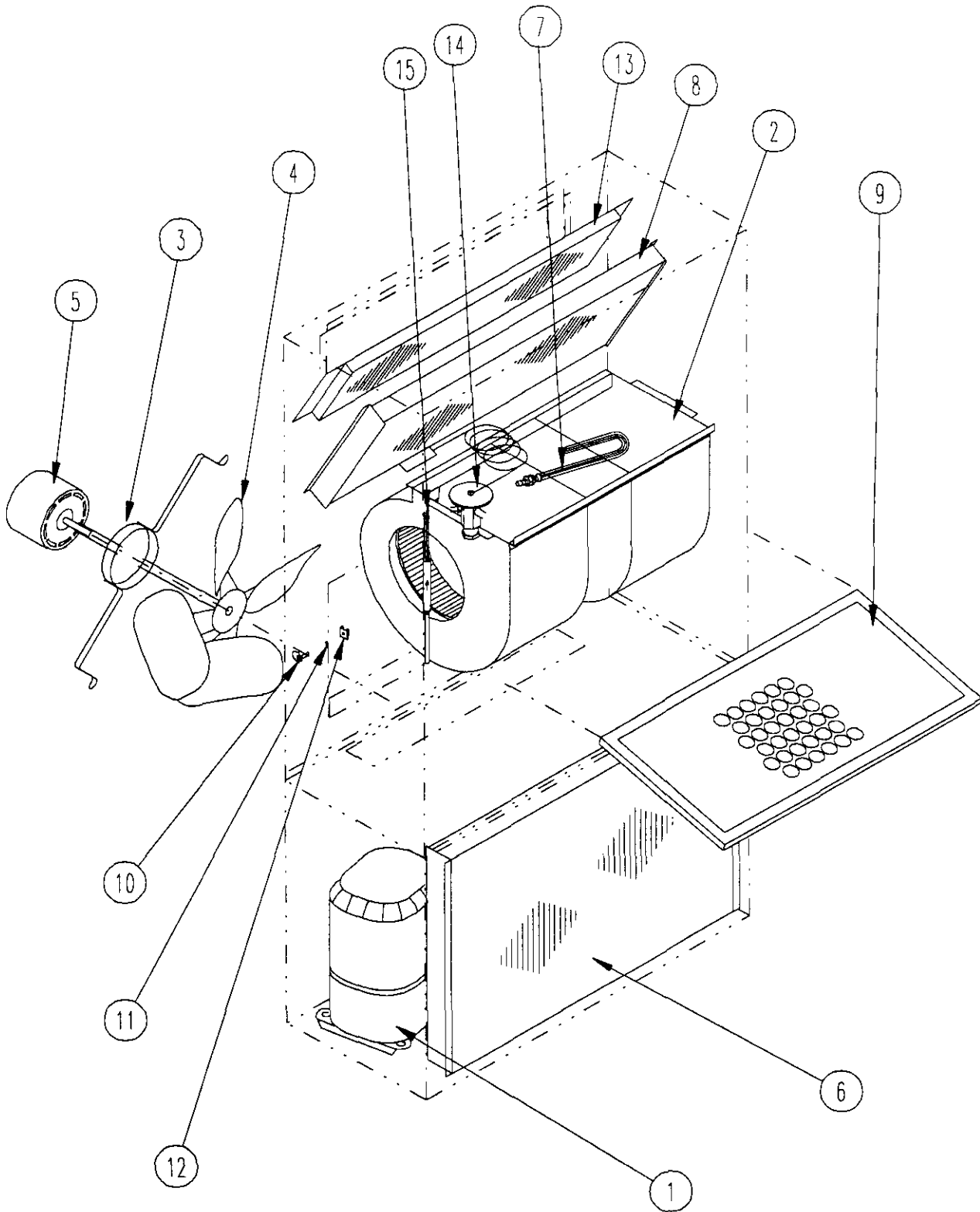
SEXP-255

CABINET COMPONENTS

Drawing No.	Part No.	Description	WL251-A, B
1	S127-204	Lower Base	X
2	125-023	Fan Shroud	X
3	S500-317-* ①	Right Side	X
4	S500-318-* ①	Left Side	X
5	S553-109-* ①	Control Panel Cover (Outer)	X
6	S520Y204	Condenser Partition	X
8	121Y190	Blower Partition	X
9	S506-137-* ①	Top	X
10	S111Y032	Outlet Airframe Assemble	X
11	S508-097	Back	X
12	113Y195	Filter Bracket	2
13	S132-104	Control Panel Cover (Inner)	X
14	118-028-* ①	Side Grille	2
15	118-030-* ①	Condenser Grille	X
16	962019	Fresh Air Damper Assembly	X
17	S552-213-* ①	Service Door	X
18	S514-076-* ①	Upper Front	X
19	105Y850	Left Side Support	X
20	S143-034-* ①	Right Side Cover Plate (Outer)	X
21	S123-092	Drain Pan	X
22	147-044	Left Evaporator Support	X
23	137-195	Bottom Evaporator Fill	X
24	Control Panel Assy.	See Control Panel Assembly Drawing and Parts List	X
25	113-140	Bottom Mounting Bracket	X
26	135Y127	Heat Shield	X
27	S153-218-* ①	Disconnect Access Door	X
28	137-259	Fill Plate	X
29	113-141-* ①	Top Rain Flashing	X

① *NOTE: Exterior cabinet parts are manufactured with various paint color options. To insure that you receive the proper paint color, you must include the complete model and serial number of the unit for which cabinet parts are being ordered.*

FUNCTIONAL COMPONENTS



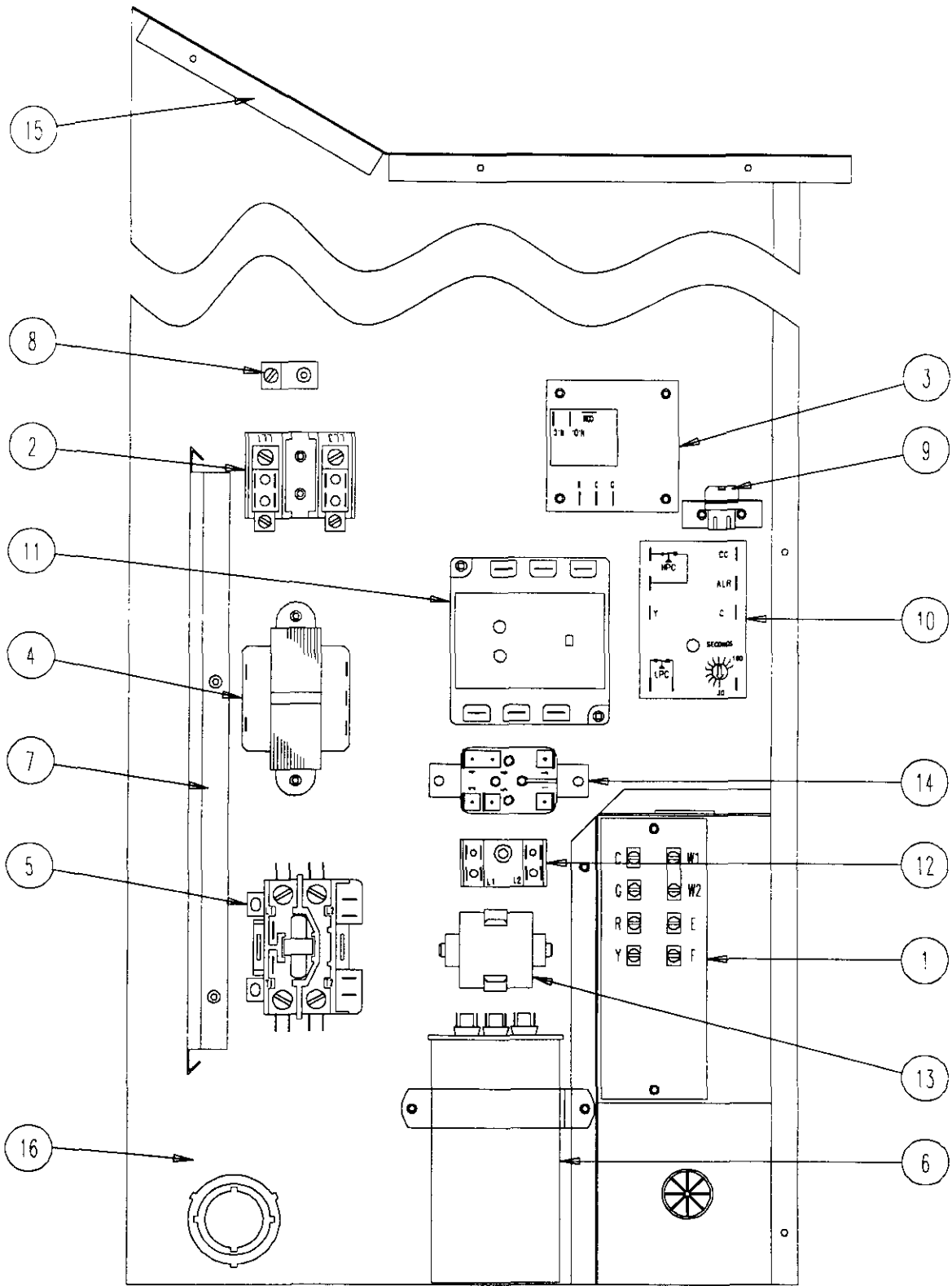
SEXP-228

FUNCTIONAL COMPONENTS

Drawing No.	Part No.	Description	WL251-A	WL251-B
1	8000-171	Compressor	X	
1	8000-201	Compressor		X
2	S900-181	Blower Assembly	X	X
3	8200-001	Fan Motor Mount	X	X
4	5151-033	Fan Blade	X	X
5	8103-016	Condenser Motor	X	X
6	5051-092	Condenser Coil	X	X
7	800-0198	Cooling Capillary Assembly	X	X
8	5060-066	Evaporator Coil	X	X
9	7004-011	Air Filter 1" Throw Away	X	X
9	7003-032	Air Filter 1" Washable ①	X	X
9	7004-025	Air Filter 2" Pleated ①	X	X
10	1171-022	1/4" Turn Fastener	X	X
11	1171-024	1/4" Turn Retainer	X	X
12	1171-023	1/4" Receptacle	X	X
NS	1804-0106	High Pressure Switch (Flare) ①	X	X
NS	1804-0107	Low Pressure Switch (Flare) ①	X	X
NS	CMA-6	Low Ambient Control (Flare) ①	X	X

NS = Not Shown
 ① = Optional

CONTROL PANEL



SEXP-290

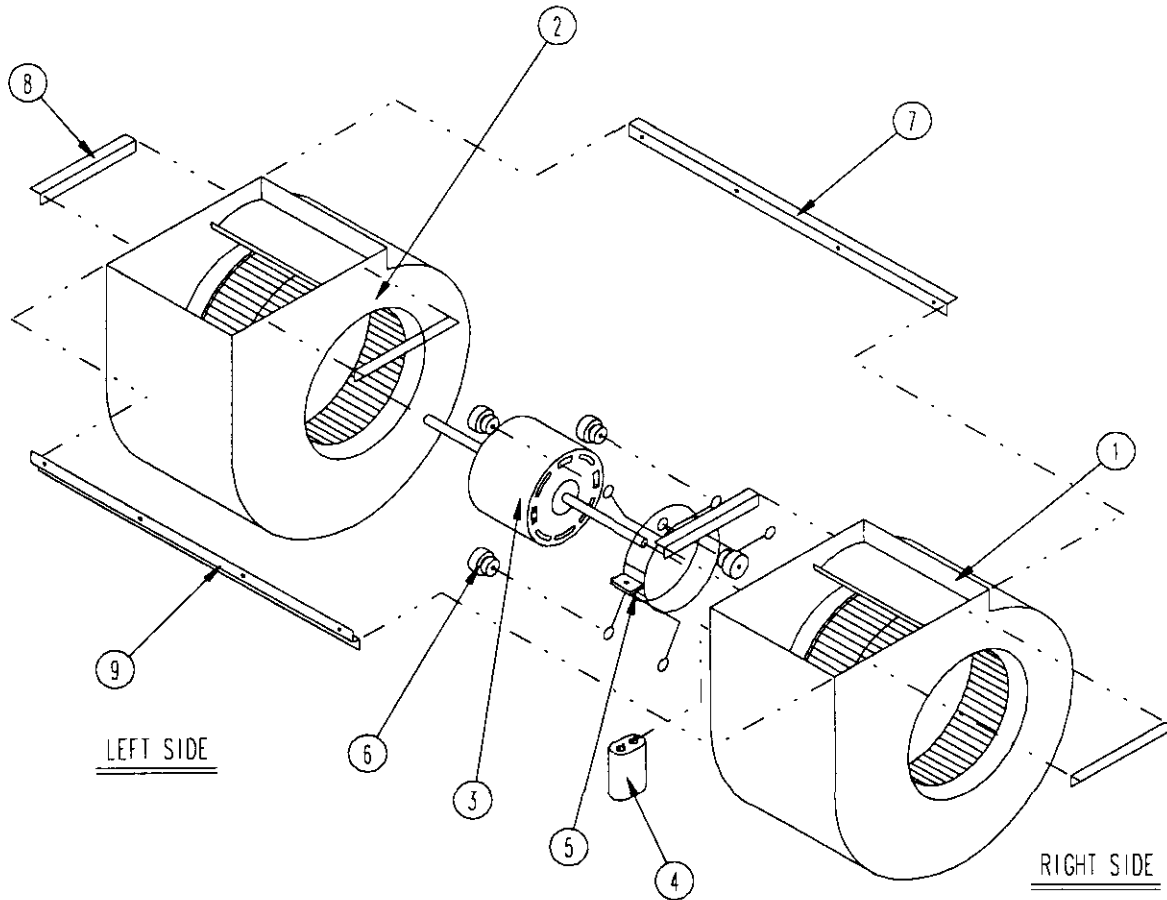
CONTROL PANEL

Drawing No.	Part No.	Description	WL251-A	WA251-B
1	8607-020	Low Voltage Terminal Strip	X	X
2	8607-013	Terminal Block 2 Pole	X	
2	8607-014	Terminal Block 3 Pole		X
3	8201-056	Blower Control	X	X
4	8407-034	Transformer	X	X
5	8401-007	Compressor Contactor	X	
5	8401-002	Compressor Contactor		X
6	8552-050	Compressor Capacitor 4015-370	X	
6	8552-002	Outdoor Motor Capacitor		X
7	135-122	Wire Shield	X	X
8	8611-006	Ground Terminal	X	X
9	3000-968	6 Pin Connector	X	X
10	8201-081	Compressor Lockout Module	X	X
11	8201-085	Phase Monitor		X
12	8607-017	Terminal Block (Optional) (Shown)	X	X
13	8551-005	Start Device (PTCR) (Optional)	X	X
14	8201-062	Alarm Relay (Optional)	X	X
15	117-137	Control Panel Top	X	X
16	117-123	Control Panel	X	X
NS	4095-227	Wiring Diagram		X
NS	4095-128	Wiring Diagram	X	

NS = Not Shown

BLOWER ASSEMBLY

Drawing No.	Part No.	Description	900-181
1	5152-069	Housing, Wheel and Cutoff (CW)	X
2	5152-070	Housing, Wheel and Cutoff	X
3	8102-011	Blower Motor (230/208)	X
4	8552-002	Capacitor	X
5	8200-039	Motor Mount	X
6	5451-011	Grommets	6
7	105-869	Back Brace	X
8	105-868	Side Angle	4
9	103-400	Front Brace	X



SEXP-161