

---

# Replacement Parts Manual

## Wall Mounted Package Air Conditioner

Models: WL421T, WL482T,  
WL602T

---

### General Notes

- Revised and/or additional pages may be issued from time to time.
- A complete and current manual consists of pages shown in the following contents section.

### Contents

Description	Page
<b>Cabinet Components</b>	
♦ Exploded View .....	1
♦ Usage List .....	2
<b>Functional Components</b>	
♦ Exploded View .....	3
♦ Usage List .....	4
<b>Control Panel</b>	
♦ Exploded View .....	5
♦ Usage List .....	6
<b>Blower Assembly</b>	
♦ Exploded View .....	7
♦ Usage List .....	7

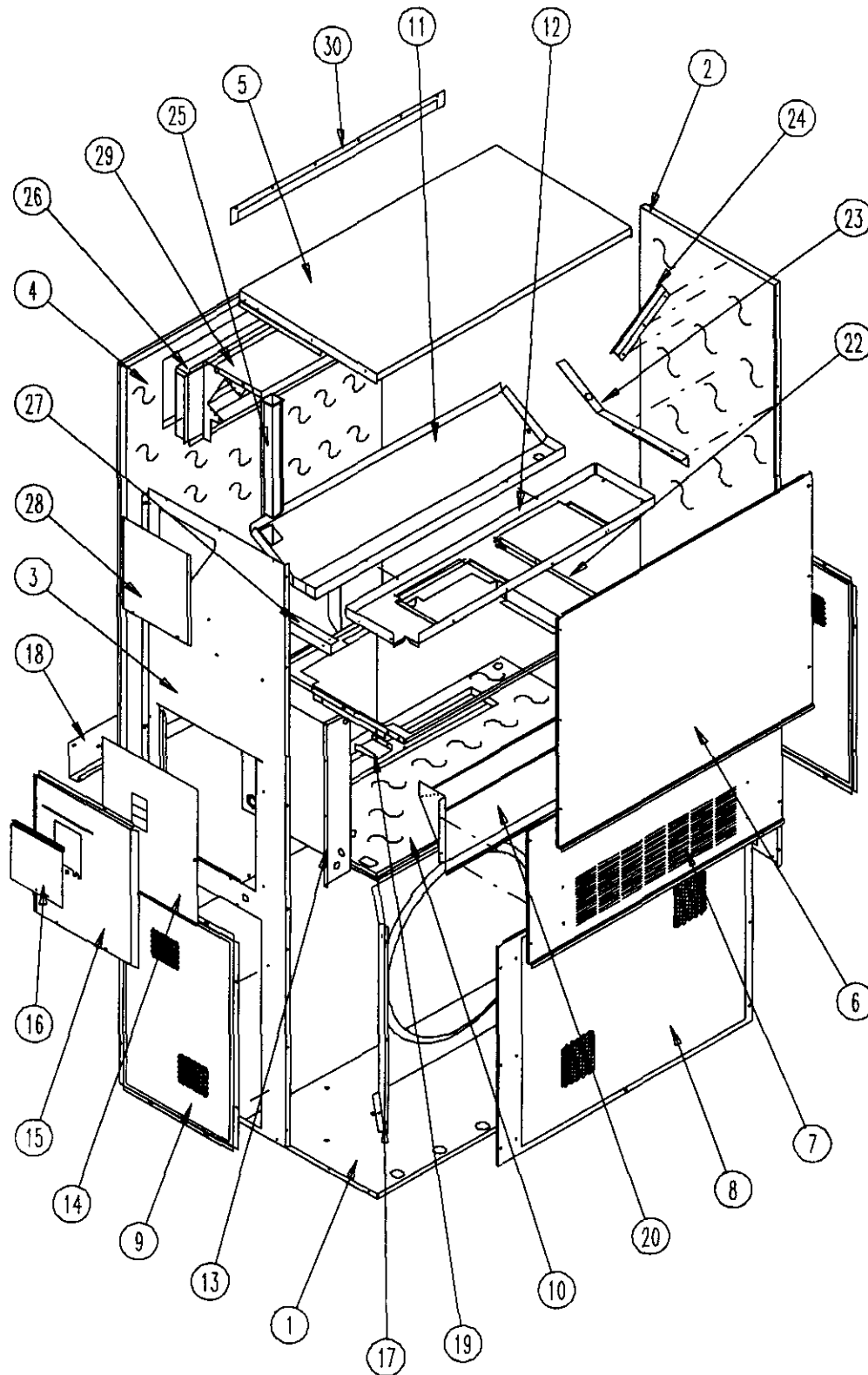


**BARD MANUFACTURING COMPANY**  
Bryan, Ohio 43506

*Since 1914...Moving ahead, just as planned.*

Manual: 2110-421  
Supersedes:  
File: 2150-004 Tab 16  
Date: 11-15-96

# CABINET COMPONENTS



SEXP-236

# CABINET COMPONENTS

Drawing No.	Part No.	Description	WL421TA, B	WL421TN	WL482TA, B	WL482TN	WL602TA, B	WL602TN
1	S127Y214	Lower Base	X	X	X	X	X	X
2	S500-320-* (1)	Left Side	X	X	X	X	X	X
3	S500-319-* (1)	Right Side	X	X	X	X	X	X
4	S508-098	Back	X	X	X	X	X	X
5	S506-142-* (1)	Top	X	X	X	X	X	X
6	S514-077-* (1)	Upper Front	X	X	X	X	X	X
7	S552-224	Service Door	X	X	X	X	X	X
8	118-031-* (1)	Condenser Grille	X	X	X	X	X	X
9	118-032-* (1)	Side Grille	2	2	2	2	2	2
10	S520Y258	Condenser Partition	X	X	X	X	X	X
11	123-091	Drain Pan	X	X	X	X	X	X
12	121Y216	Blower Partition	X	X	X	X	X	X
13	Control Panel Assembly	See Control Panel Assembly Drawing & Parts List	X	X	X	X	X	X
14	S133-114	Control Panel Cover (Inner)	X		X		X	
14	S133-115	Control Panel Cover (Inner)		X		X		X
15	S533-140-* (1)	Control Panel Cover (Outer)	X	X	X	X	X	X
16	S153-218-* (1)	Disconnect Access Door	X	X	X	X	X	X
17	125-024	Fan Shroud	X	X	X	X	X	X
18	113-140	Bottom Mounting Bracket	X	X	X	X	X	X
19	137-209	Fill	X	X	X	X	X	X
20	960024	Fresh Air Damper Assembly	X	X	X	X	X	X
22	131Y099	Filter Tray	X	X	X	X	X	X
23	105Y878	Left Side Support	X	X	X	X	X	X
24	147-046-* (1)	Left Evaporator Support	X	X	X	X	X	X
25	135-128	Raceway	2	2	2	2	2	2
26	111Y034	Outlet Airframe Assembly	X	X	X	X	X	X
27	105Y877	Right Side Support	X	X	X	X	X	X
28	S143-042-* (1)	Right Side Cover Plate (Outer)	X	X	X	X	X	X
29	135-129	Heat Shield	X	X	X	X	X	X
30	113-150-* (1)	Top Rain Flashing	X	X	X	X	X	X

(1) Exterior cabinet parts are manufactured with various color options. To insure that you receive the proper color, you must include the complete models and serial number of the unit for which parts are being ordered.

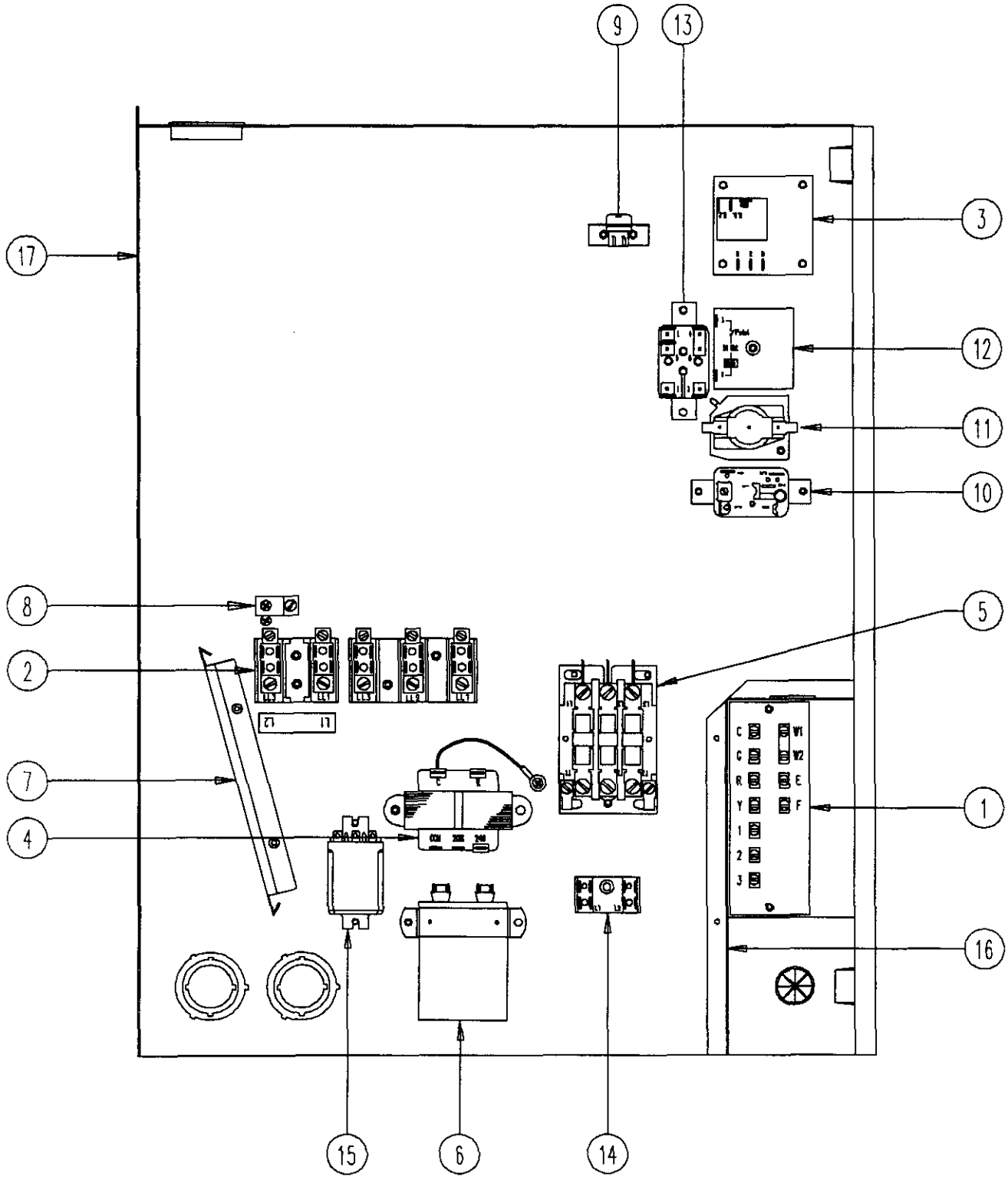


# FUNCTIONAL COMPONENTS

Drawing No.	Part No.	Description	WL421TA	WL421TB	WL421TN	WL482TA	WL482TB	WL482TN	WL602TA	WL602TB	WL602TN
1	8000-153	Compressor							X		
1	8000-154	Compressor								X	
1	8000-209	Compressor									X
1	8000-126	Compressor	X								
1	8000-127	Compressor		X							
1	8000-211	Compressor			X						
1	8000-149	Compressor				X					
1	8000-156	Compressor					X				
1	8000-208	Compressor						X			
2	S900-183	Blower Assembly	X	X	X	X	X	X			
2	S900-185	Blower Assembly							X	X	X
3	8200-004	Fan Motor Mount	X	X	X	X	X	X	X	X	X
4	5151-027	Fan Blade	X	X	X	X	X	X	X	X	X
5	8105-042	Condenser Motor	X	X	X	X	X	X	X	X	X
6	5051-094	Condenser Coil				X	X	X	X	X	X
6	8051-093	Condenser Coil	X	X	X						
7	800-0204	Cooling Capillary Assembly				X	X	X			
7	800-0203	Cooling Capillary Assembly	X	X	X						
7	800-0232	Cooling Capillary Assembly							X	X	X
8	5060-070	Evaporator Coil	X	X	X	X	X	X			
8	5060-082	Evaporator Coil							X	X	X
9	7004-016	Air Filter 1" Throw Away	X	X	X	X	X	X	X	X	X
9	7003-030	Air Filter 1" Washable	X	X	X	X	X	X	X	X	X
9	7004-027	Air Filter 2" Pleated	X	X	X	X	X	X	X	X	X
10	1171-022	1/4" Turn Fastener	X	X	X	X	X	X	X	X	X
11	1171-024	1/4" Turn Retainer	X	X	X	X	X	X	X	X	X
12	1171-023	1/4" Receptacle	X	X	X	X	X	X	X	X	X
13	8406-055	High Pressure Switch (Solder)	X	X	X	X	X	X	X	X	X
NS	8406-061	Low Pressure Switch (Solder)	X	X	X	X	X	X	X	X	X
NS	8406-088	Low Ambient Control (Solder) (1)	X	X	X	X	X	X	X	X	X
NS	1804-0106	High Pressure Switch (Flare) (1)	X	X	X	X	X	X	X	X	X
NS	1804-0107	Low Pressure Switch (Flare) (1)	X	X	X	X	X	X	X	X	X
NS	1804-0108	Low Ambient Control (Flare) (1)	X	X	X	X	X	X	X	X	X
NS	8406-087	Modulating Low Ambient Control (1)	X	X	X	X	X	X	X	X	X

NS - Not Shown  
(1) - Optional

# CONTROL PANEL



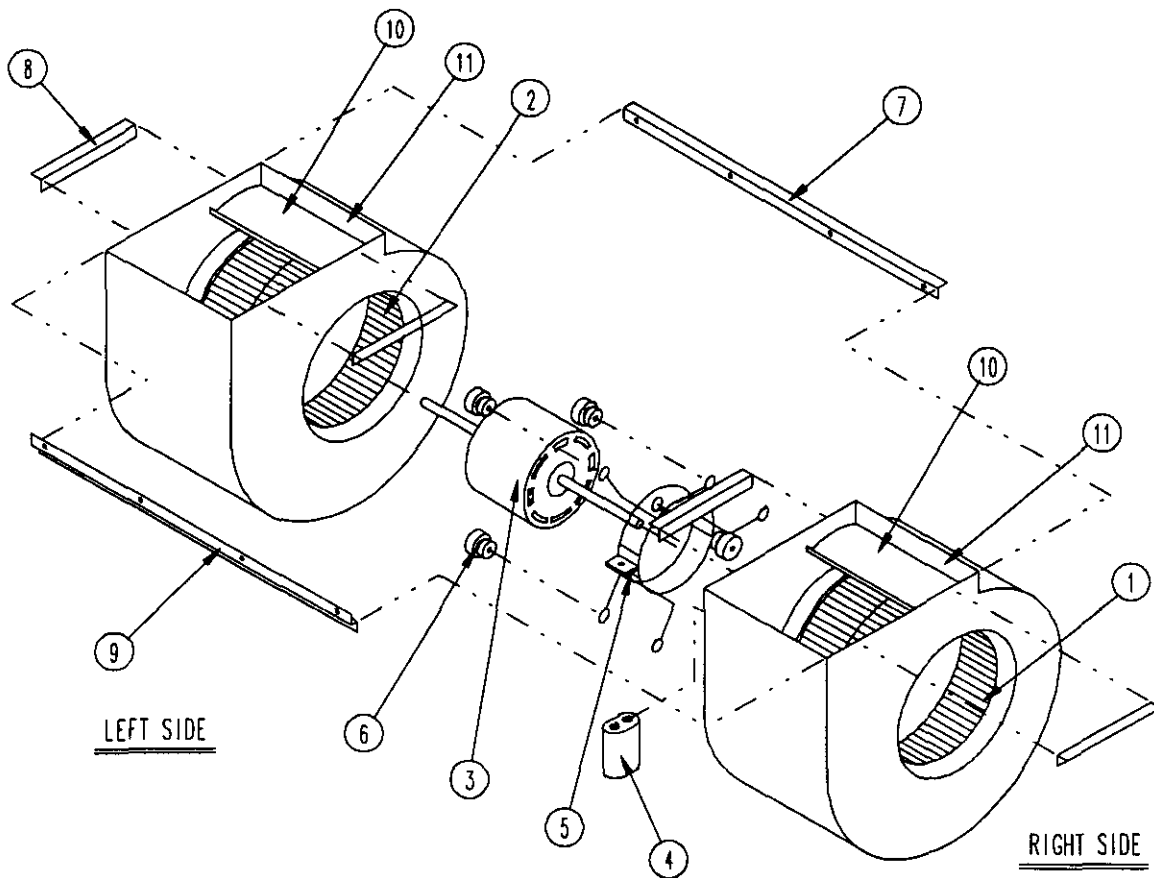
SEXP-251

# CONTROL PANEL

Drawing			WL421TA	WL421TB	WL421TN	WL482TA	WL482TB	WL482TN	WL602TA	WL602TB	WL602TN
No.	Part No.	Description									
1	8607-020	Low Voltage Terminal Strip	X	X	X	X	X	X	X	X	X
2	8607-013	Terminal Block 2 Pole	2	X	3	2	X	3	2	X	3
2	8607-014	Terminal Block 3 Pole		X			X			X	
2	134-051	Phelon Insulator			2			2			2
3	8201-056	Blower Control	X	X	X	X	X	X	X	X	X
4	8407-034	Transformer	X	X	X	X	X	X	X	X	X
5	8401-002	Compressor Contact		X	X		X	X		X	X
5	8401-007	Compressor Contact	X								
5	8401-016	Compressor Contact				X			X		
6	8552-005	Outdoor Motor Capacitor		X	X		X	X		X	X
6	8552-055	Compressor Capacitor	X								
6	8552-058	Compressor Capacitor							X		
6	8552-059	Compressor Capacitor				X					
7	135-130	Wire Shield	X	X	X	X	X	X	X	X	X
8	8611-006	Ground Terminal	X	X	X	X	X	X	X	X	X
9	3000-1066	6 Pin Connector	X	X	X	X	X	X	X	X	X
10	8201-034	Lockout Relay	X	X	X	X	X	X	X	X	X
11	8201-065	Low Pressure Bypass TDR	X	X	X	X	X	X	X	X	X
12	8201-067	Compressor TDR Adj.	X	X	X	X	X	X	X	X	X
13	8201-062	Alarm Relay	X	X	X	X	X	X	X	X	X
14	8607-017	Terminal Block	X	X	X	X	X	X	X	X	X
15	8201-074	Inverter Relay	X	X	X	X	X	X	X	X	X
16	117-139	Low Voltage Box	X	X	X	X	X	X	X	X	X
17	117-143	Control Panel	X	X	X	X	X	X	X	X	X
	4095-126	Wiring Diagram	X								
	4095-127	Wiring Diagram				X			X		
	4095-223	Wiring Diagram		X							
	4095-222	Wiring Diagram					X			X	
	4095-701	Wiring Diagram			X						
	4095-702	Wiring Diagram						X			X

# BLOWER ASSEMBLY

Drawing No.	Part No.	Description	900-183	900-185
1	5152-011	10 Inch Wheel (CW)		X
1	5152-057	9 Inch Wheel (CW)	X	
2	5152-012	10 Inch Wheel (CCW)		X
2	5152-058	9 Inch Wheel (CCW)	X	
3	8105-030	Blower Motor (230/208)	X	X
4	8552-005	Capacitor	X	X
5	8200-040	Motor Mount	X	X
6	5451-011	Grommets	6	6
7	105-880	Back Brace	X	X
8	105-881	Side Angle	4	4
9	103-389	Front Brace	X	X
10	151-101	Housing	2	2
11	144-166	Diffuser	2	2



SEXP-178