
Replacement Parts Manual

Wall Mounted Package Air Conditioner

Models: WA701, WA721

General Notes

- Revised and/or additional pages may be issued from time to time.
- A complete and current manual consists of pages shown in the following contents section.

Important

- Contact the installing and/or local Bard distributor for all parts requirements. Make sure you have the complete model and serial number available from the unit rating plates.

Contents

| Description | Page |
|-----------------------|------|
| Cabinet Components | |
| ♦ Exploded View | 1 |
| ♦ Usage List | 2 |
| Functional Components | |
| ♦ Exploded View | 3 |
| ♦ Usage List | 4 |
| Control Panel | |
| ♦ Exploded View | 5 |
| ♦ Usage List | 5 |
| Blower Assembly | |
| ♦ Exploded View | 6 |
| ♦ Usage List | 6 |

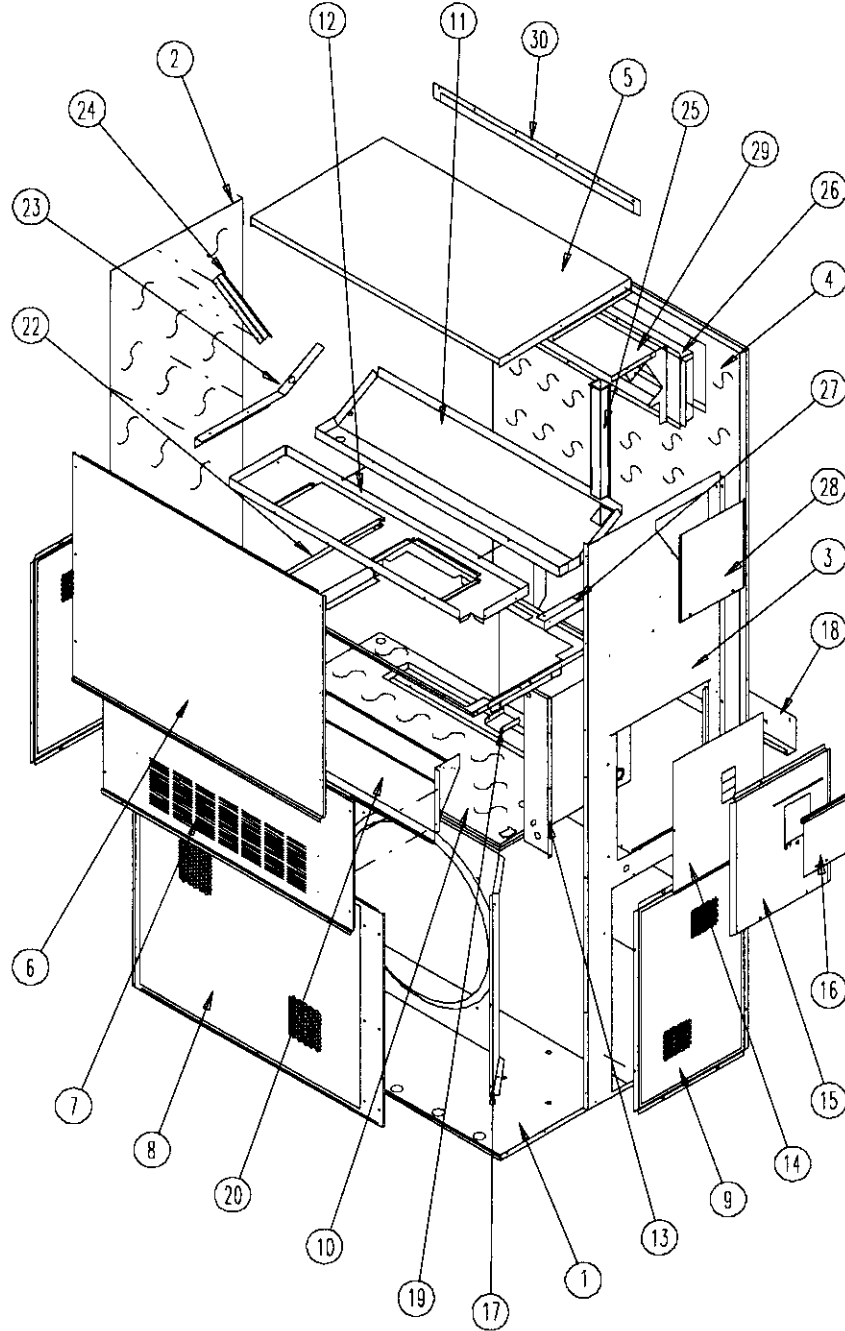


BARD MANUFACTURING COMPANY
Bryan, Ohio 43506

Since 1914...Moving ahead, just as planned.

Manual: 2110-415 Rev. C
File: 2150-004, Tab 16
Date: 05/09/96

Cabinet Components

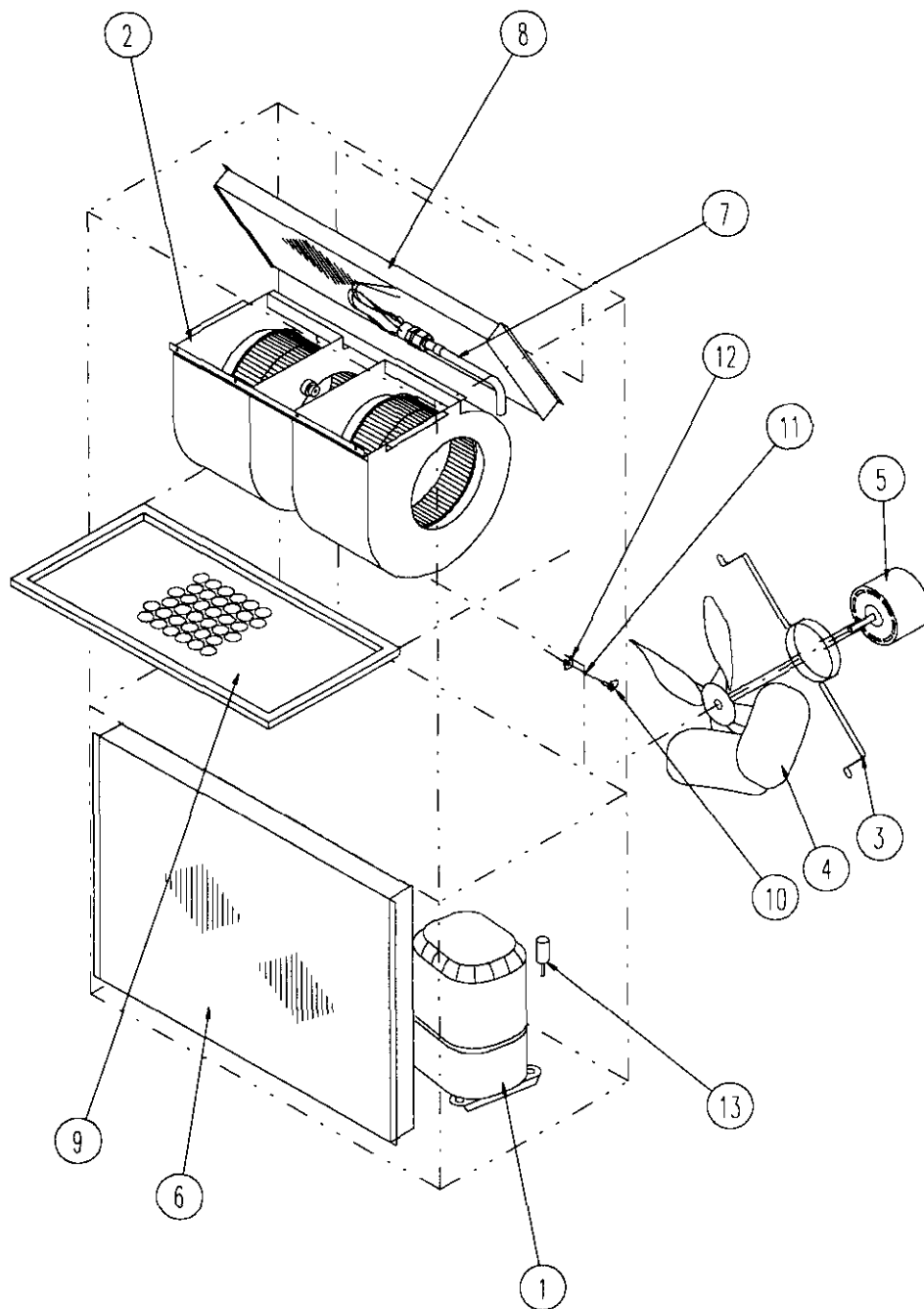


Cabinet Components

| Drawing No. | Part No. | Description | WA701-B | WA701-C | WA721-B |
|----------------|------------------------|---|---------|---------|---------|
| 1 | S127X114 | Lower Base | • | • | • |
| 2 | S500-316- [Ⓢ] | Left Side | • | • | • |
| 3 | S500-315- [Ⓢ] | Right Side | • | • | • |
| 4 | S508-098 | Back | • | • | • |
| 5 | S506-142- [Ⓢ] | Top | • | • | • |
| 6 | S514-077- [Ⓢ] | Upper Front | • | • | • |
| 7 | S552-224- [Ⓢ] | Service Door | • | • | • |
| 8 | 118-040- [Ⓢ] | Condenser Grille | • | • | • |
| 9 | 118-041- [Ⓢ] | Side Grille | 2 | 2 | 2 |
| 10 | S521X258 | Condenser Partition | • | • | • |
| 11 | 123-083 | Drain Pan | • | • | • |
| 12 | 121X216 | Blower Partition | • | • | • |
| 13 | Control Panel Assembly | See Control Panel Assembly Drawing and Parts List | • | • | • |
| 14 | S133-144 | Control Panel Cover (Inner) | • | • | • |
| 14 | S133-115 | Control Panel Cover (Inner) | • | • | • |
| 15 | S533-113- [Ⓢ] | Control Panel Cover Outer | • | • | • |
| 16 | S153-218- [Ⓢ] | Disconnect Access Door | • | • | • |
| 17 | 125-024 | Fan Shroud | • | • | • |
| 18 | 113-140 | Bottom Mounting Bracket | • | • | • |
| 19 | 137-209 | Fill | • | • | • |
| 20 | 960024 | Fresh Air Damper Assembly | • | • | • |
| 22 | 131X099 | Filter Tray | • | • | • |
| 23 | 105X877 | Left Side Support | • | • | • |
| 24 | 147-046- [Ⓢ] | Left Evaporator Support | • | • | • |
| 25 | 135-128 | Raceway | 2 | 2 | 2 |
| 26 | 111X034 | Outlet Airframe Assembly | • | • | • |
| 27 | 105X878 | Right Side Support | • | • | • |
| 28 | S143-042- [Ⓢ] | Right Side Cover Plate (Outer) | • | • | • |
| 29 | 135-129 | Heat Shield | • | • | • |
| 30 | 113-150- [Ⓢ] | Top Rain Flashing | • | • | • |

[Ⓢ] NOTE: Exterior cabinet parts are manufactured with various paint color options. To insure that you receive the proper paint color, you must include the complete model and serial number of the unit for which cabinet parts are being ordered.

Functional Components



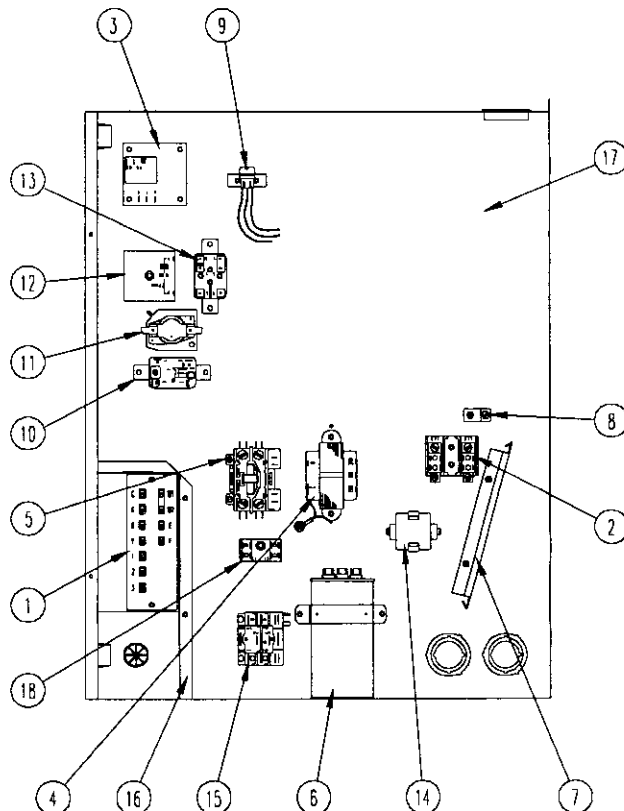
Control Panel

| Drawing No. | Part No. | Description | WA701-B | WA701-C | WA721-B |
|-------------|-----------|---|---------|---------|---------|
| 1 | 8000-187 | Compressor | • | | • |
| 1 | 8000-190 | Compressor | | • | |
| 2 | S900-185 | Blower Assembly | • | | • |
| 2 | S900-186 | Blower Assembly | | • | |
| 3 | 8200-004 | Fan Motor Mount | • | • | • |
| 4 | 5151-027 | Fan Blade | • | • | |
| 4 | 5151-030 | Fan Blade | | | • |
| 5 | 8105-039 | Condenser Motor | • | | |
| 5 | 8105-030 | Condenser Motor (460V) | | • | |
| 5 | 8106-016 | Condenser Motor | | | • |
| 6 | 5051-088 | Condenser Coil | • | • | • |
| 7 | 5651-131 | Expansion Valve | • | • | • |
| 8 | 5060-082 | Evaporator Coil | • | • | • |
| 9 | 7004-016 | Air Filter 1" Throw-Away | • | • | • |
| 9 | 7003-030 | Air Filter 1" Washable | • | • | • |
| 9 | 7004-027 | Air Filter 2" Pleated | • | • | • |
| 10 | 1171-022 | 1/4" Turn Fastener | • | • | • |
| 11 | 1171-024 | 1/4" Turn Retainer | • | • | • |
| 12 | 1171-023 | 1/4" Receptacle | • | • | • |
| 13 | 8406-055 | High Pressure Switch (Solder) | • | • | • |
| NS | 8406-061 | Low Pressure Switch (Solder) (Optional) | • | • | • |
| NS | 8406-062 | Low Ambient Control (Solder) (Optional) | • | • | • |
| NS | 1804-0106 | High Pressure Switch (Flare) (Optional) | • | • | • |
| NS | 1804-0107 | Low Pressure Switch (Flare) (Optional) | • | • | • |
| NS | 1804-0108 | Low Ambient Control (Flare) (Optional) | • | • | • |

— Not Shown

Blower Assembly

| Drawing No. | Part No. | Description | WA701-B | WA701-C | WA721-B |
|-------------|----------|--------------------------------------|---------|---------|---------|
| 1 | 8607-020 | Low Voltage Terminal Strip | • | • | • |
| 2 | 8607-014 | Terminal Block 3 Pole | • | • | • |
| 2 | 8607-015 | Phelon Insulator | | • | |
| 3 | 8201-056 | Blower Control | • | | • |
| 3 | 8201-032 | Blower Relay | | • | |
| 4 | 8407-034 | Transformer | • | | • |
| 4 | 8407-042 | Transformer | | • | |
| 5 | 8401-002 | Compressor Contactor | | • | |
| 5 | 8401-027 | Compressor Contactor | • | | • |
| 6 | 8552-005 | Outdoor Motor Capacitor | • | • | |
| 6 | 8552-004 | Outdoor Motor Capacitor | | | • |
| 7 | 135-130 | Wire Shield | • | • | • |
| 8 | 8611-006 | Ground Terminal | • | • | • |
| 9 | 3000-978 | 6 Pin Connector | • | • | • |
| 10 | 8201-034 | Lockout Relay | • | • | • |
| 11 | 8201-065 | Low Pressure Bypass (TDR) (Optional) | • | • | • |
| 12 | 8201-050 | Compressor TDR | • | • | • |
| 12 | 8201-067 | Compressor TDR Adj. (Optional) | • | • | • |
| 13 | 8201-062 | Alarm Relay (Optional) | • | • | • |
| 15 | 8201-009 | Crankcase Heat Relay | • | | • |
| 15 | 8201-032 | Crankcase Heat Relay | | • | |
| 16 | 117X139 | Low Voltage Box | • | • | • |
| 17 | 117X143 | Control Panel | • | • | • |
| 18 | 8607-017 | Terminal Block (Optional) | • | | • |
| | 4095-219 | Wiring Diagram | • | | • |
| | 4095-313 | Wiring Diagram | | • | |



Functional Components

| awing No. | Part No. | Description | 900-185 | 900-186 |
|--------------|----------|------------------------|---------|---------|
| 1 | 5152-011 | 10 Inch Wheel (CW) | • | • |
| 2 | 5152-012 | 10 Inch Wheel (CCW) | • | • |
| 3 | 8106-030 | Blower Motor (230/208) | • | |
| 3 | 8106-025 | Blower Motor (460) | | • |
| 4 | 8552-005 | Capacitor | • | • |
| 5 | 8200-040 | Motor Mount | • | • |
| 6 | 5451-011 | Grommets | 6 | 6 |
| 7 | 105-880 | Back Brace | • | • |
| 8 | 105-881 | Side Angle | • | • |
| 9 | 103-389 | Front Brace | • | • |
| 10 | 151-101 | Housing | 2 | 2 |
| 11 | 144-166 | Diffuser | 2 | 2 |

