
REPLACEMENT PARTS MANUAL

WALL MOUNTED PACKAGE AIR CONDITIONER

Model: **WA121**

General Notes

- Revised and/or additional pages may be issued from time to time.
- A complete and current manual consists of pages shown in the following contents section.

Important

- Contact the installing and/or local Bard distributor for all parts requirements. Make sure you have the complete model and serial number available from the unit rating plates.

Contents

Description	Page
Cabinet Components	
♦ Exploded View	2
♦ Usage List	3
Functional Components	
♦ Exploded View	4
♦ Usage List	5
Control Panel	
♦ Exploded View	5
♦ Usage List	7
Blower Assembly	
♦ Exploded View	8
♦ Usage List	8



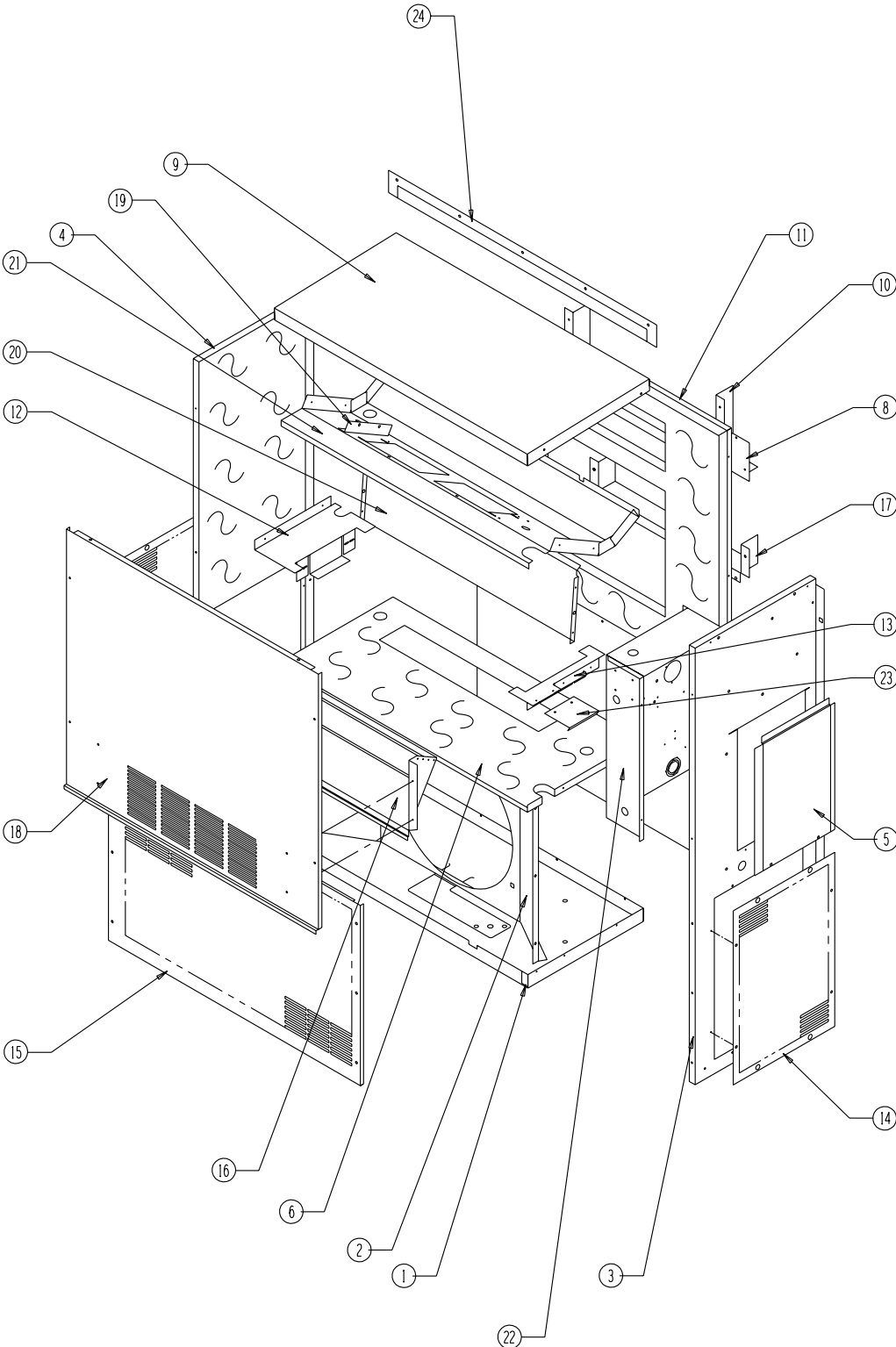
CLIMATE CONTROL SOLUTIONS

Bard Manufacturing Company, Inc.
Bryan, Ohio 43506

Since 1914...Moving ahead, just as planned.

Manual: 2110-412M
Supersedes: 2110-412L
File: 2150-004, Tab 16
Date: 01-15-07

CABINET COMPONENTS



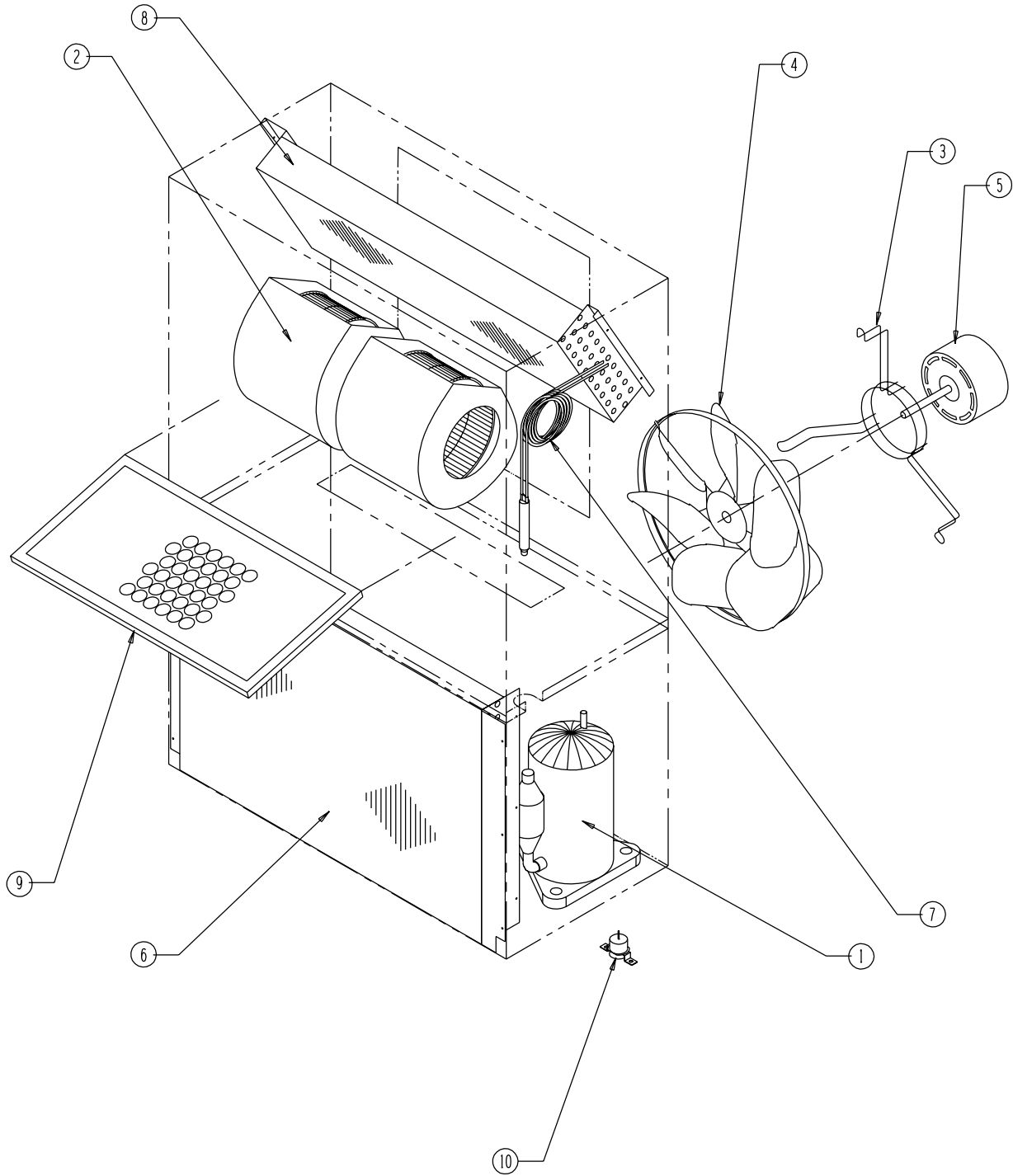
SEXP-190

CABINET COMPONENTS

Drawing No.	Part No.	Description	WA121-A	WA121-K	WA121-G
1	S127-257-X	Lower Base	X	X	X
2	125-025	Fan Shroud	X	X	X
3	S500-275-* ①	Right Side	X	X	X
4	S500-274-* ①	Left Side	X	X	X
5	S133-120-* ①	Control Panel Cover (Outer)	X	X	X
6	520-243	Condenser Partition	X	X	X
8	111-037	Top Return Air Frame Angle	X	X	X
9	506-148-* ①	Top	X	X	X
10	111-036	Outlet Air Frame Angle	X	X	X
11	508-102	Back	X	X	X
12	113-197	Left Filter Bracket	X	X	X
13	113-198	Right Filter Bracket	X	X	X
14	118-033-* ①	Side Grille	2	2	2
15	119-034-* ①	Condenser Grille	X	X	X
16	BFAD-1	Fresh Air Damper Assembly	X	X	X
17	111-038	Bottom Return Air Frame Angle	X	X	X
18	S514-085-* ①	Upper Front	X	X	X
19	113-176	Heater Bracket	X	X	X
20	121-245	Return Partition	X	X	X
21	S121-244	Drain Pan	X	X	X
22	Control Panel Assembly	See Control Panel Assembly Drawing and Parts List	X	X	X
23	135-138	Fill Plate	X	X	X
24	113-178-* ①	Top Rain Flashing	X	X	X

① Exterior cabinet parts are manufactured with various paint color options. To insure that you receive the proper paint color, you must include the complete model and serial number of the unit for which cabinet parts are being ordered.

FUNCTIONAL COMPONENTS



FUNCTIONAL COMPONENTS

Drawing No.	Part No.	Description	WA121-A	WA121-K	WA121-G
1	8000-158	Compressor	X		
1	8000-159	Compressor		X	
1	8000-161	Compressor			X
2	900-200	Blower Assembly 240V	X		X
2	900-201	Blower Assembly 115V		X	
3	8200-041	Fan Motor Mount	X	X	X
4	5151-047	Fan Blade	X	X	X
5	8101-007	Condenser Motor 240V	X		X
5	8101-008	Condenser Motor 115V		X	
6	5051-081BX	Condenser Coil	X	X	X
7	800-0221	Cooling Capillary Assembly	X	X	X
8	5060-074BX	Evaporator Coil	X	X	X
9	7003-021	Air Filter 1" Washable	X	X	X
9	7004-001	Air Filter 1" Throw Away	X	X	X
9	7004-028	Air Filter 2" Pleated ①	X	X	X
10	5651-110	Drain Valve	X	X	X
NS	1804-0106	High Pressure Switch Service Kit (Flare) ①	X	X	X
NS	1804-0107	Low Pressure Switch Service Kit (Flare) ①	X	X	X
NS	CMA-25	Low Ambient Control Service Kit (Flare) ①	X	X	X
NS	8402-085	Compressor Overload			X
NS	8402-087	Compressor Overload		X	

NS – Not Shown

① – Optional on these models

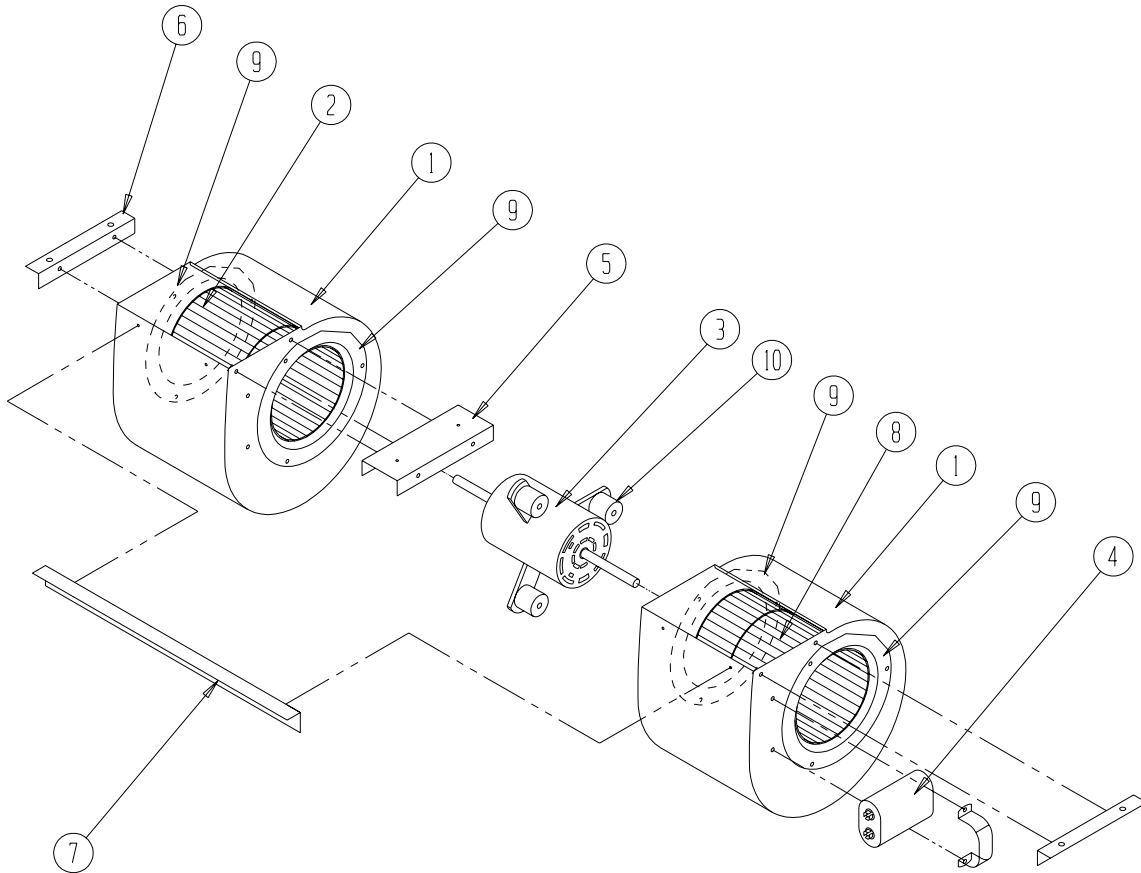
CONTROL PANEL

Drawing No.	Part No.	Description	WA121-A00	WA121-A03	WA121-A05	WA121-K00	WA121-K02	WA121-G00	WA121-G02	WA121-G03
1	8607-020	Low Voltage Terminal Strip	X	X	X	X	X	X	X	X
2	8607-013	Terminal Block 2 Pole	X	X	X	X	X	X	X	X
3	8201-056	Blower Control	X	X	X	X	X	X	X	X
4	8407-034	Transformer	X	X	X			X	X	X
4	8407-039	Transformer				X	X			
5	8401-007	Compressor Contactor	X	X	X	X	X	X	X	X
6	8552-046	Compressor Capacitor	X	X	X	X	X	X	X	X
7	8401-007	Heat Contactor		X	X		X		X	X
8	8611-006	Ground Terminal	X	X	X	X	X	X	X	X
9	8402-093	Thermal Cut Off		X	X		X		X	X
10	8201-088	Compressor Control Module	X	X	X	X	X	X	X	X
13	8201-062	Alarm Relay ①	X	X	X	X	X			
13	8607-017	Terminal Block ① (Shown)	X	X	X	X	X			
14	8402-084	Limit		X	X		X		X	X
15	117-154	Control Panel	X	X	X	X	X	X	X	X
16	8604-097	Heat Strip 3.6KW		X						X
16	8604-098	Heat Strip 5.0KW			X					
16	8604-099	Heat Strip 2.2KW					X			
16	8604-109	Heat Strip 2.0KW							X	
NS	4095-114	Wiring Diagram		X	X				X	X
NS	4095-115	Wiring Diagram	X					X		
NS	4095-116	Wiring Diagram				X				
NS	4095-117	Wiring Diagram					X			

NS – Not Shown

① – Optional on these models

BLOWER ASSEMBLY



SEXP-196

Drawing No.	Part No.	Description	900-200	900-201
1	151-114	Blower Housing *	X	X
2	5152-085	Wheel (CCW) Left	X	X
3	8101-009	Blower Motor (230/208)	X	
3	8101-010	Blower Motor (115)		X
4	8552-001	Capacitor 4MFD	X	
4	8552-002	Capacitor 5MFD		X
5	141-203	Center Blower Support	X	X
6	105-908	Side Angle	2	2
7	105-902	Front Brace	X	X
8	5152-084	Wheel (CW) Right	X	X
9	144-180	Inlet Ring	4	4
11	5451-018	Mounting Grommet	3	3

* Note: Replace with new rings.