
Replacement Parts Manual

Wall Mounted Package Air Conditioner

Models: WA181, WA241

General Notes

- Revised and/or additional pages may be issued from time to time.
- A complete and current manual consists of pages shown in the following contents section.

Important

- Contact the installing and/or local Bard distributor for all parts requirements. Make sure you have the complete model and serial number available from the unit rating plates.

Contents

Description	Page
Cabinet Components	
♦ Exploded View	1
♦ Usage List	2
Functional Components	
♦ Exploded View	3
♦ Usage List	4
Control Panel	
♦ Exploded View	5
♦ Usage List	6
Blower Assembly	
♦ Exploded View	7
♦ Usage List	7

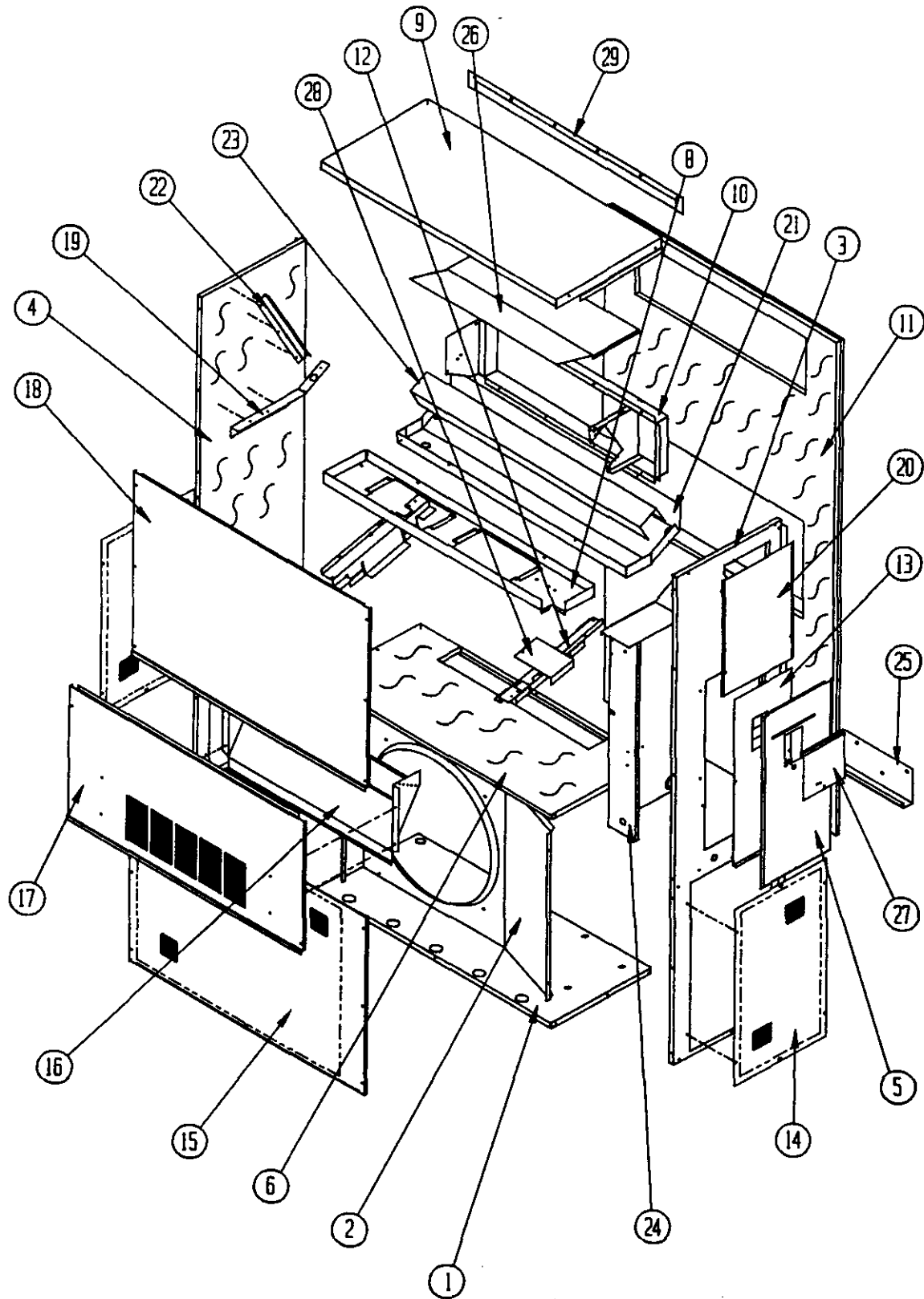


BARD MANUFACTURING COMPANY
Bryan, Ohio 43506

Since 1914...Moving ahead, just as planned.

Manual: 2110-410 Rev. H
File: 2150-004, Tab 16
Date: 05/09/96

Cabinet Components

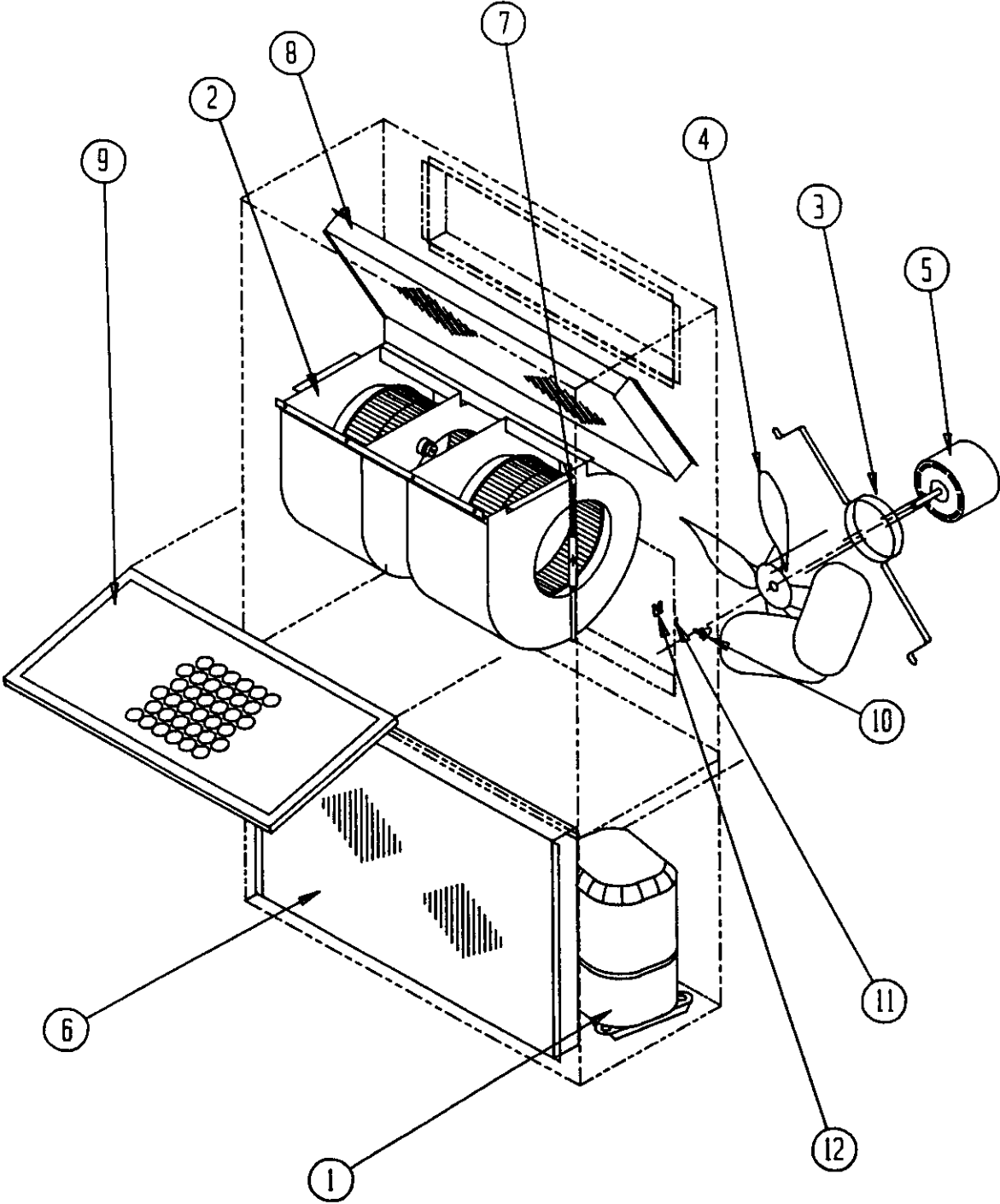


Cabinet Components

Drawing No.	Part No.	Description	WA181-A, D	WA241-A, B, D	WA241-F	WA241HA	WA241HB
1	S127-204	Lower Base	•	•	•	•	•
2	125-023	Fan Shroud	•	•	•	•	•
3	S500-228-* ①	Right Side	•	•	•	•	•
4	S500-229-* ①	Left Side	•	•	•	•	•
5	S553-109-* ①	Control Panel Cover (Outer)	•	•	•	•	•
6	S520-204	Condenser Partition	•	•	•	•	•
8	121-190	Blower Partition	•	•	•	•	•
9	S506-137-* ①	Top	•	•	•	•	•
10	S111-032	Outlet Airframe Assembly	•	•	•	•	•
11	S508-097	Back	•	•	•	•	•
12	113-195	Filter Bracket	2	2	2	2	2
13	S132-104	Control Panel Cover (Inner)	•	•	•	•	•
13	132-110	Control Panel Cover (Inner)	•	•	•	•	•
14	118-028-* ①	Side Grille	2	2	2	•	•
15	118-030-* ①	Condenser Grille	•	•	•	•	•
16	962019	Fresh Air Damper Assembly	•	•	•	•	•
17	S552-213-* ①	Service Door	•	•	•	•	•
18	S514-076-* ①	Upper Front	•	•	•	•	•
19	105-850	Left Side Support	•	•	•	•	•
20	S143-034-* ①	Right Side Cover Plate (Outer)	•	•	•	•	•
21	S123-080	Drain Pan	•	•	•	•	•
22	147-044-* ①	Left Evaporator Support	•	•	•	•	•
23	137-195	Bottom Evaporator Fill	•	•	•	•	•
24	Control Panel Assembly	See Control Panel Assembly Drawing and Parts List	•	•	•	•	•
25	113-140	Bottom Mounting Bracket	•	•	•	•	•
26	135-127	Heat Shield	•	•	•	•	•
27	S153-218-* ①	Disconnect Access Door	•	•	•	•	•
28	137-259	Fill Plate	•	•	•	•	•
28	136-212	Fill Plate	•	•	•	•	•
29	113-141-* ①	Top Rain Flashing	•	•	•	•	•

À NOTE: Exterior cabinet parts are manufactured with various paint color options. To insure that you receive the proper paint color, you must include the complete model and serial number of the unit for which cabinet parts are being ordered.

Functional Components



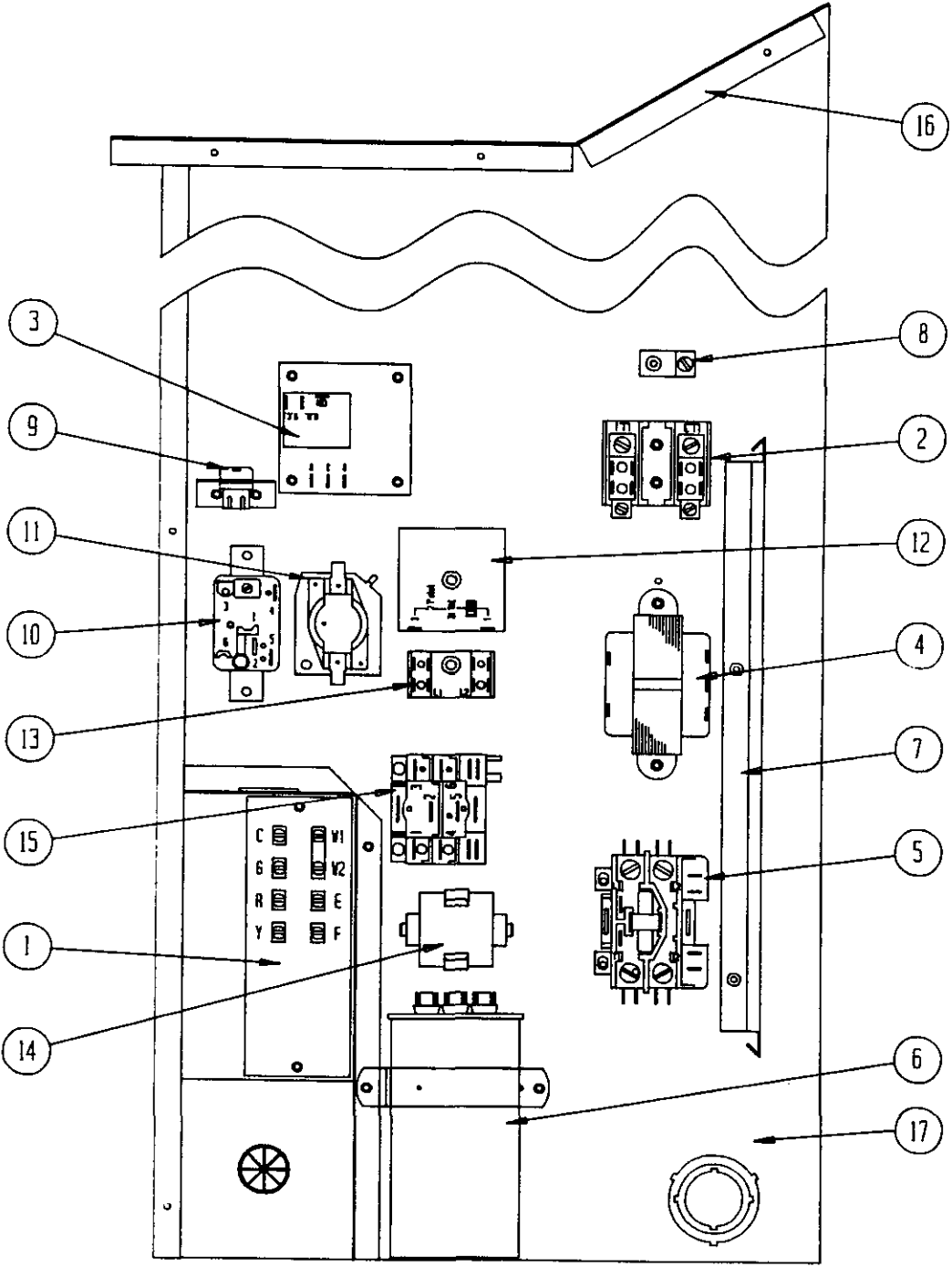
Functional Components

Dwg. No.	Part No.	Description	WA181-A	WA181-D	WA241-A	WA241-B	WA241-D	WA241-F	WA241HA	WA241HB
1	8000-139	Compressor	•							
1	8000-140	Compressor			•				•	
1	8000-141	Compressor				•				•
1	8000-142	Compressor						•		
1	8000-143	Compressor					•			
1	8000-186	Compressor		•						
2	S900-181	Blower Assembly	•	•	•	•	•	•	•	•
3	8200-001	Fan Motor Mount	•	•	•	•	•	•	•	•
4	5151-033	Fan Blade	•	•	•	•	•	•	•	•
5	8103-016	Condensor Motor	•	•	•	•	•	•	•	•
6	5051-071	Condensor Coil	•	•	•	•	•	•	•	•
7	800-0197	Cooling Capillary Assembly	•	•						
7	800-0198	Cooling Capillary Assembly			•	•	•	•		
8	5060-066	Evaporator Coil			•	•	•	•	•	•
8	5060-067	Evaporator Coil	•	•						
9	7004-011	Air Filter 1" Throw-Away	•	•	•	•	•	•	•	•
9	7003-032	Air Filter 1" Washable ①	•	•	•	•	•	•	•	•
9	7004-025	Air Filter 2" Pleated ①	•	•	•	•	•	•	•	•
10	1171-022	1/4" Turn Fastener	•	•	•	•	•	•	•	•
11	1171-024	1/4" Turn Retainer	•	•	•	•	•	•	•	•
12	1171-023	1/4" Receptacle	•	•	•	•	•	•	•	•
NS	8406-055	High Pressure Switch (Solder) ①	•	•	•	•	•	•	•	•
NS	8406-061	Low Pressure Switch (Solder) ①	•	•	•	•	•	•	•	•
NS	8406-062	Low Ambient Control (Solder) ①	•	•	•	•	•			
NS	1804-0106	High Pressure Switch (Flare) ①	•	•	•	•	•	•	•	•
NS	1804-0107	Low Pressure Switch (Flare) ①	•	•	•	•	•	•	•	•
NS	1804-0108	Low Ambient Control (Flare) ①	•	•	•	•	•			
NS	5201-001	Filter Dryer							•	•
NS	5201-014	Sight Glass							•	•
NS	5202-016	Accumulator							•	•
NS	5203-004	Receiver							•	•
NS	5651-051	Shut-Off Valve							•	•
NS	5651-096	Hot Gas Bypass Valve							•	•
NS	5651-097	Head Pressure Control Valve							•	•
NS	5651-098	Distributor							•	•
NS	5651-099	TXV							•	•

NS — Not Shown

① — Optional on these models

Control Panel



Control Panel

Drawing No.	Part No.	Description	WA181-A	WA181-D	WA241-A	WA241-B	WA241-D	WA241-F	WA241HA	WA241HB
1	8607-020	Low Voltage Terminal Strip	•	•	•	•	•	•	•	•
2	8607-013	Terminal Block 2 Pole	•	•	•		•	2	•	
2	8607-014	Terminal Block 3 Pole				•				•
3	8201-056	Blower Control	•	•	•	•	•	•	•	•
4	8407-034	Transformer	•	•	•	•	•	•	•	•
5	8401-007	Compressor Contactor	•	•	•		•		•	
5	8401-002	Compressor Contactor				•		•		•
6	8552-046	Compressor Capacitor	•	•						
6	8552-047	Compressor Capacitor			•		•		•	
6	8552-002	Outdoor MotorCapacitor				•		•		•
7	135-122	Wire Shield	•	•	•	•	•	•	•	•
8	8611-006	Ground Terminal	•	•	•	•	•	•	•	•
9	3000-968	6 Pin Connector	•	•	•	•	•	•	•	•
10	8201-034	Lockout Relay (Optional)	•	•	•	•	•	•	•	•
11	8201-065	Low Pressure Bypass (TDR) (Optional)	•	•	•	•	•	•	•	•
12	8201-050	Compressor TDR (Optional)	•	•	•	•	•	•	•	•
12	8201-067	Compressor TDR Adj (Optional)	•	•	•	•	•	•	•	•
13	8201-062	Alarm Relay (Optional)	•	•	•	•	•	•	•	•
13	8607-017	Terminal Block (Optional) (Shown)	•	•	•	•	•	•	•	•
14	8551-005	Start Device (PTCR) (Optional)	•	•	•		•	•	•	
6	117-137	Control Panel Top	•	•	•	•	•	•	•	•
17	117-123	Control Panel	•	•	•	•	•	•	•	•
	4095-110	Wiring Diagram	•	•	•		•		•	
	4095-210	Wiring Diagram				•				•
	4095-617	Wiring Diagram						•		

Blower Assembly

Drawing No.	Part No.	Description	900-181
1	5152-069	Housing, Wheel and Cutoff (CW)	•
2	5152-070	Housing, Sheet and Cutoff	•
3	8102-011	Blower Motor (230/208)	•
4	8552-002	Capacitor	•
5	8200-039	Motor Mount	•
6	5451-011	Grommets	6
7	105-869	Back Brace	•
8	105-868	Side Angle	4
9	103-400	Front Brace	•

