

REPLACEMENT PARTS MANUAL

WALL MOUNTED PACKAGE AIR CONDITIONER

MODELS: WA181, WA241

Manual 2110-410

Revision F

Date 10-12-94

Supersedes 3-01-94

* GENERAL NOTES *

*Revised and/or additional pages may be issued from time to time.
*A complete and current manual consists of pages dated as shown in the following index.

** INDEX **

| <u>Page Description</u> | <u>Page</u> | <u>Date</u> | <u>Supersedes</u> |
|--|-------------|-------------|-------------------|
| Cabinet Components--Exploded View | 1 | 10-12-94 | 10-15-93 |
| " " --Usage List | 2 | 10-12-94 | 3-01-94 |
| Functional Components--Exploded View | 3 | 6-05-92 | |
| " " --Usage List | 4 | 1-11-93 | 9-01-92 |
| Control Panel--Layout | 5 | 6-05-92 | |
| " " --Usage List | 6 | 1-11-93 | 6-05-92 |
| Blower Assembly--Exploded View, Usage List | 7 | 1-11-93 | 6-05-92 |

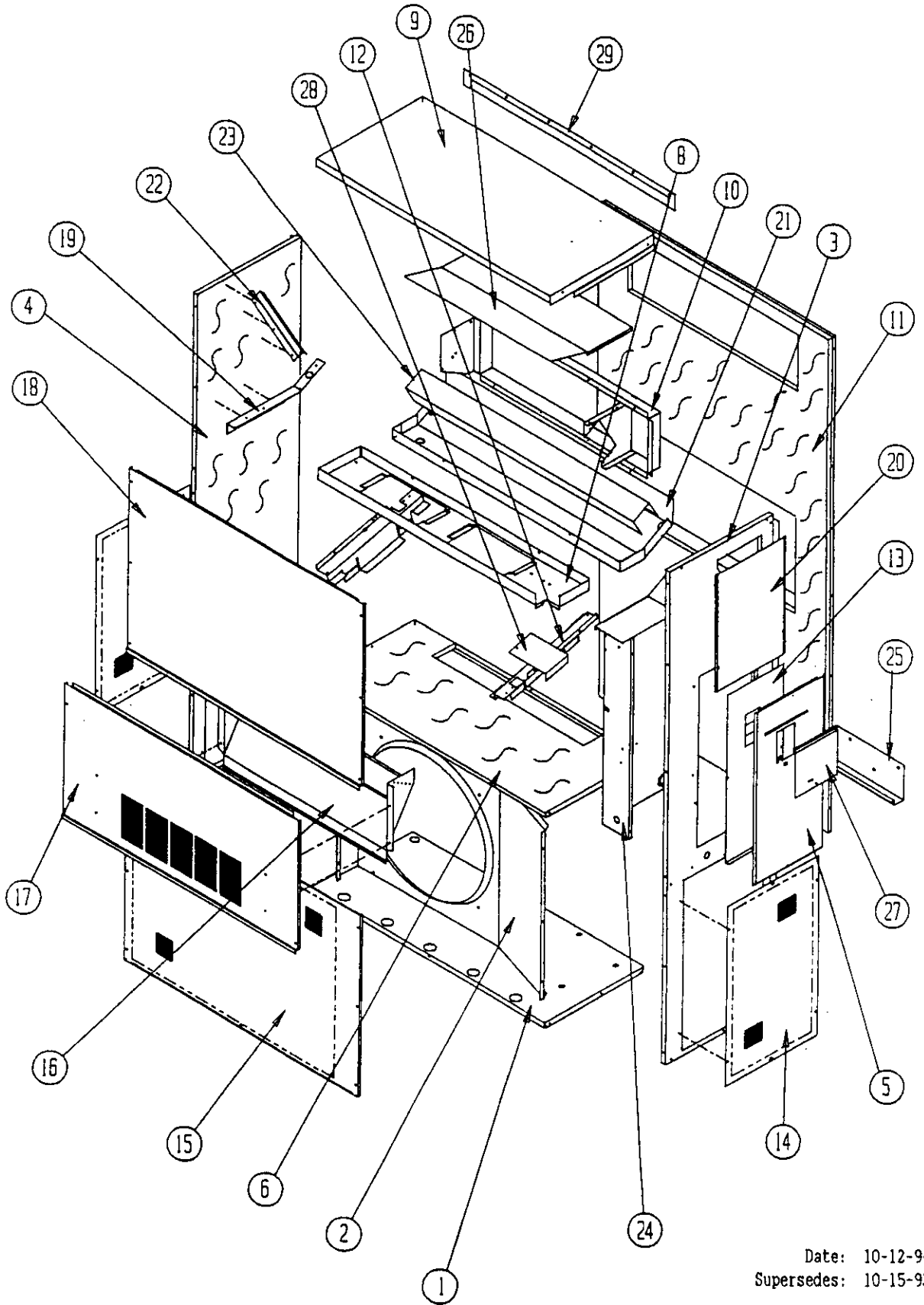
*** IMPORTANT ***

Contact the installing and/or local Bard distributor for all parts requirements. Make sure you have the complete model and serial number available from the unit rating plate.

BARD MANUFACTURING COMPANY

BRYAN, OHIO 43506

CABINET COMPONENTS



Date: 10-12-94
Supersedes: 10-15-93

2110-410

Page: 1

CABINET COMPONENTS

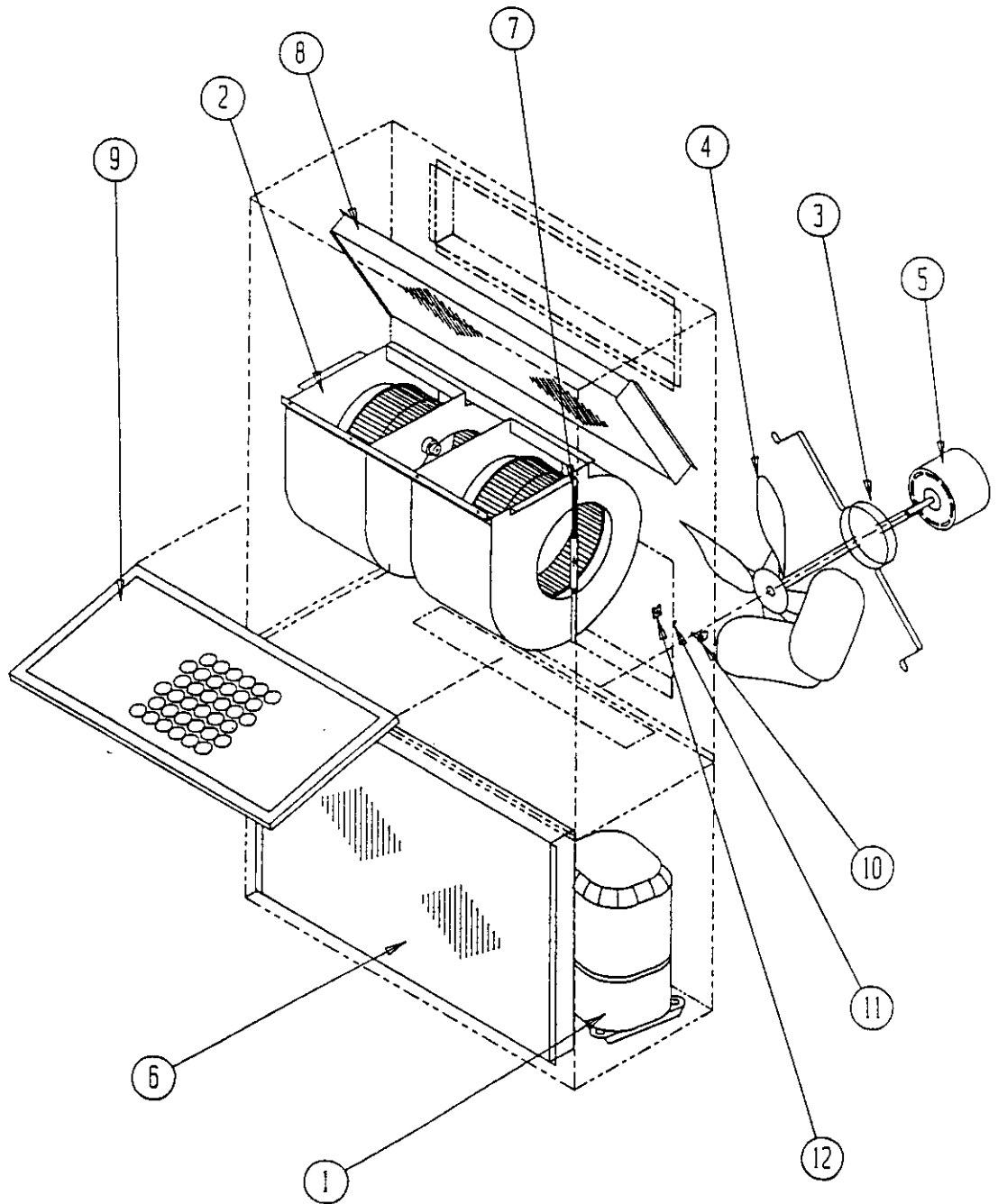
| Dwg. No. | Part No. | Description | W A 1 8 1 - A | W A 2 4 1 - A, B, D |
|----------|------------------------|---|---------------------------------|---|
| 1 | S127-204 | Lower Base | X | X |
| 2 | 125-023 | Fan Shroud | X | X |
| 3 | (1) S500-228-* | Right Side | X | X |
| 4 | (1) S500-229-* | Left Side | X | X |
| 5 | (1) S533-109-* | Control Panel Cover (Outer) | X | X |
| 6 | S520-204 | Condenser Partition | X | X |
| 8 | 121-190 | Blower Partition | X | X |
| 9 | (1) S506-137-* | Top | X | X |
| 10 | S111-032 | Outlet Airframe Assembly | X | X |
| 11 | S508-097 | Back | X | X |
| 12 | 113-195 | Filter Bracket | 2 | 2 |
| 13 | S133-104 | Control Panel Cover (Inner) | X | X |
| 14 | (1) 118-028-* | Side Grille | 2 | 2 |
| 15 | (1) 118-030-* | Condenser Grille | X | X |
| 16 | 962019 | Fresh Air Damper Assembly | X | X |
| 17 | (1) S552-213-* | Service Door | X | X |
| 18 | (1) S514-076-* | Upper Front | X | X |
| 19 | 105-850 | Left Side Support | X | X |
| 20 | (1) S143-034-* | Right Side Cover Plate (Outer) | X | X |
| 21 | S123-080 | Drain Pan | X | X |
| 22 | 147-044-* | Left Evaporator Support | X | X |
| 23 | 137-195 | Bottom Evaporator Fill | X | X |
| 24 | Control Panel Assembly | See Control Panel Assembly Drawing and Parts List | X | X |
| 25 | 113-140 | Bottom Mounting Bracket | 1 | 1 |
| 26 | 135-127 | Heat Shield | X | X |
| 27 | (1) S153-218-* | Disconnect Access Door | X | X |
| 28 | 137-259 | Fill Plate | X | X |
| 29 | (1) 113-141-* | Top Rain Flashing | X | X |

(1) NOTE: Exterior cabinet parts are manufactured with various paint color options. To insure that you receive the proper paint color, you must include the complete model and serial number of the unit for which cabinet parts are being ordered.

Date: 10-12-94
Supersedes: 3-01-94

2110-410
Page: 2

FUNCTIONAL COMPONENTS



Date: 6-05-92
Supersedes:

2110-410
Page: 3

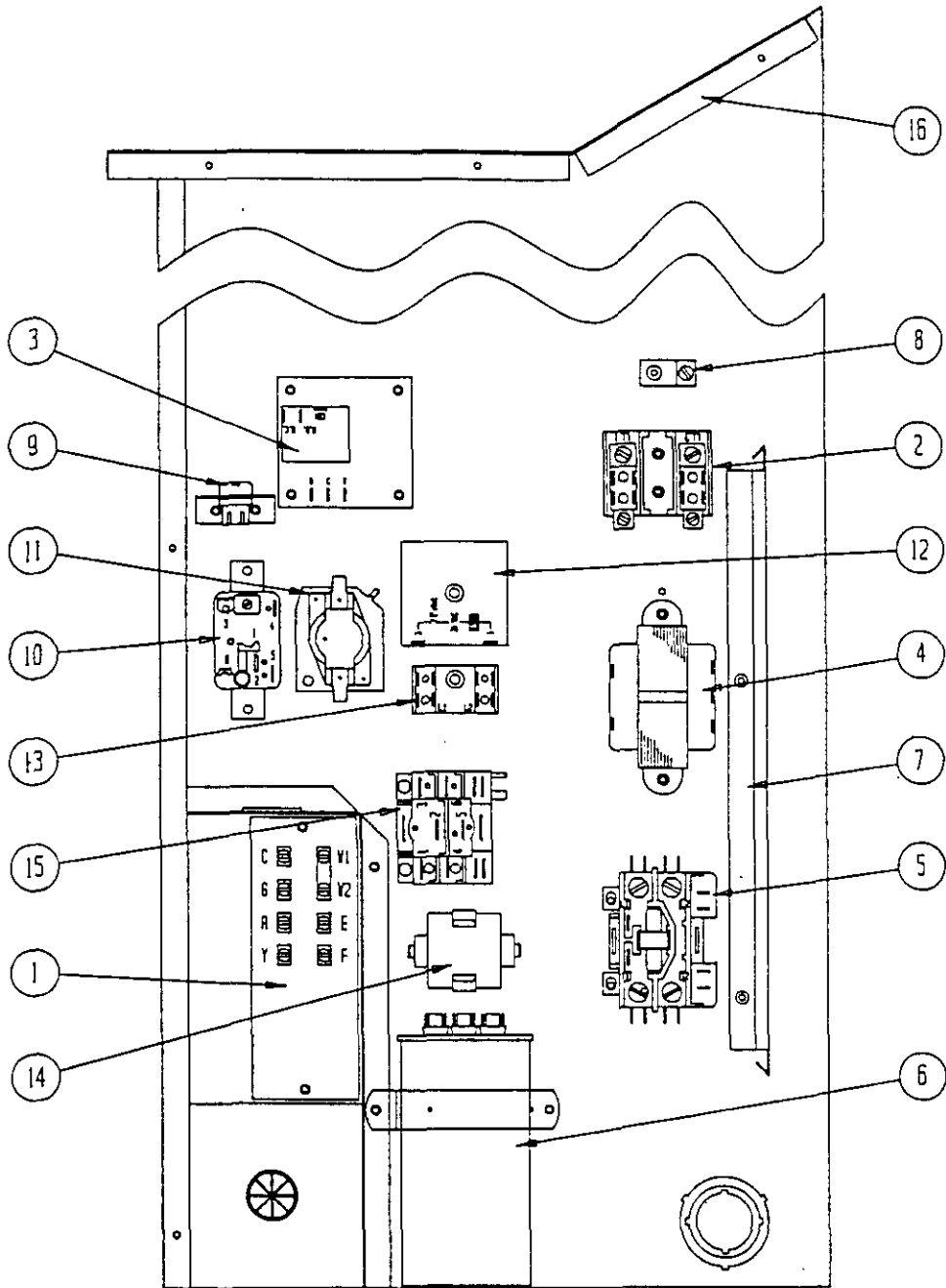
FUNCTIONAL COMPONENTS

| Dwg. No. | Part No. | Description | W | W | W | W |
|----------|-----------|--|---|---|---|---|
| | | | A | A | A | A |
| | | | 1 | 2 | 2 | 2 |
| | | | 8 | 4 | 4 | 4 |
| | | | 1 | 1 | 1 | 1 |
| | | | - | - | - | - |
| | | | A | A | B | D |
| 1 | 8000-139 | Compressor | X | | | |
| 1 | 8000-140 | Compressor | | X | | |
| 1 | 8000-141 | Compressor | | | X | |
| 1 | 8000-143 | Compressor | | | | X |
| 2 | S900-181 | Blower Assembly | X | X | X | X |
| 3 | 8200-001 | Fan Motor Mount | X | X | X | X |
| 4 | 5151-033 | Fan Blade | X | X | X | X |
| 5 | 8103-016 | Condenser Motor | X | X | X | X |
| 6 | 5051-071 | Condenser Coil | X | X | X | X |
| 7 | 800-0197 | Cooling Capillary Assembly | X | | | |
| 7 | 800-0198 | Cooling Capillary Assembly | | X | X | X |
| 8 | 5060-066 | Evaporator Coil | | X | X | X |
| 8 | 5060-067 | Evaporator Coil | X | | | |
| 9 | 7004-011 | Air Filter 1" Throw-Away | X | X | X | X |
| 9 | 7003-032 | Air Filter 1" Washable (Optional) | X | X | X | X |
| 9 | 7004-025 | Air Filter 2" Pleated (Optional) | X | X | X | X |
| 10 | 1171-022 | 1/4" Turn Fastener | X | X | X | X |
| 11 | 1171-024 | 1/4" Turn Retainer | X | X | X | X |
| 12 | 1171-023 | 1/4" Receptacle | X | X | X | X |
| NS | 8406-055 | High Pressure Switch (Solder) (Optional) | X | X | X | X |
| NS | 8406-061 | Low Pressure Switch (Solder) (Optional) | X | X | X | X |
| NS | 8406-062 | Low Ambient Control (Solder) (Optional) | X | X | X | X |
| NS | 1804-0106 | High Pressure Switch (Flare) (Optional) | X | X | X | X |
| NS | 1804-0107 | Low Pressure Switch (Flare) (Optional) | X | X | X | X |
| NS | 1804-0108 | Low Ambient Control (Flare) (Optional) | X | X | X | X |

NS = Not Shown

Date: 01-11-93
Supersedes: 09-01-92

CONTROL PANEL



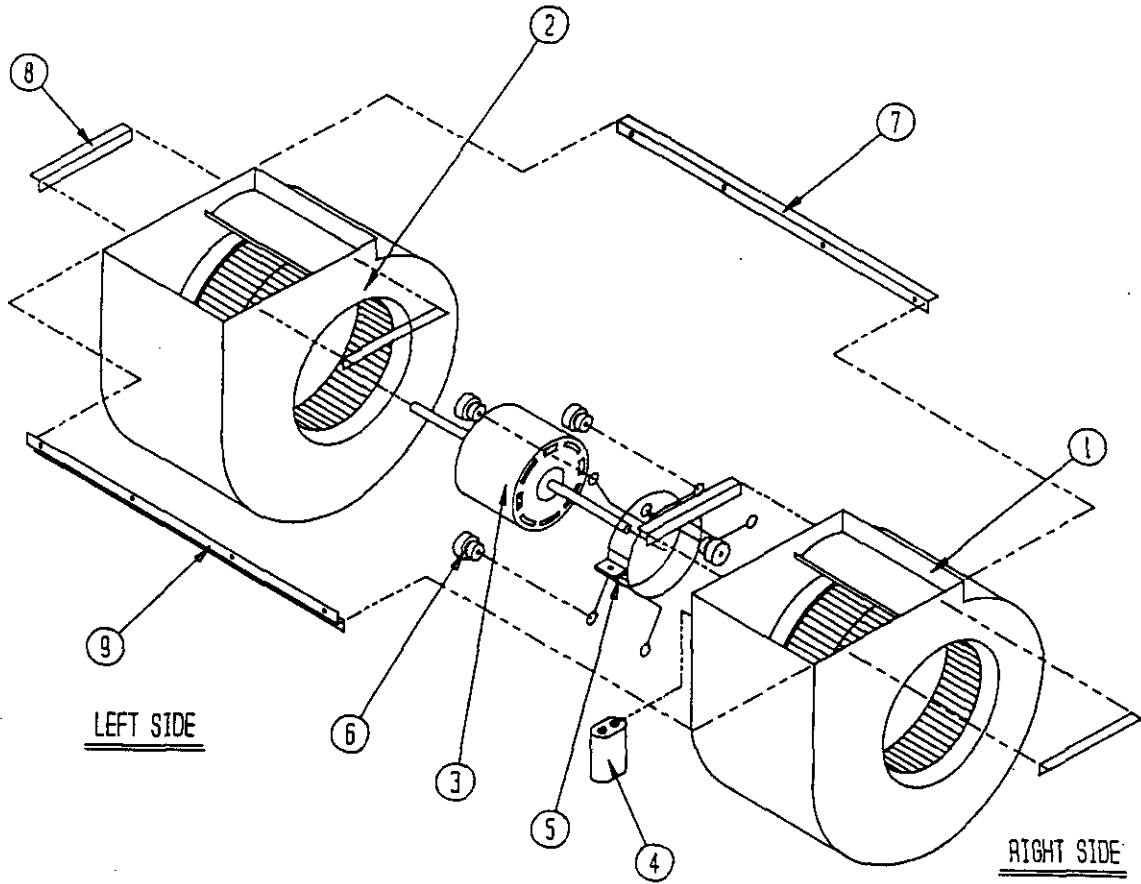
Date: 6-05-92
Supersedes:

CONTROL PANEL

| Dwg. No. | Part No. | Description | W | W | W | W |
|----------|----------|--------------------------------------|---|---|---|---|
| | | | A | A | A | A |
| | | | 1 | 2 | 2 | 2 |
| | | | 8 | 4 | 4 | 4 |
| | | | 1 | 1 | 1 | 1 |
| | | | - | - | - | - |
| | | | A | A | B | D |
| 1 | 8607-020 | Low Voltage Terminal Strip | x | x | x | x |
| 2 | 8607-013 | Terminal Block 2 Pole | x | x | | x |
| 2 | 8607-014 | Terminal Block 3 Pole | | | x | |
| 3 | 8201-056 | Blower Control | x | x | x | x |
| 4 | 8407-034 | Transformer | x | x | x | x |
| 5 | 8401-007 | Compressor Contactor | x | x | | x |
| 5 | 8401-002 | Compressor Contactor | | | x | |
| 6 | 8552-046 | Compressor Capacitor | x | | | |
| 6 | 8552-047 | Compressor Capacitor | | x | | x |
| 6 | 8552-002 | Outdoor Motor Capacitor | | | x | |
| 7 | 135-122 | Wire Shield | x | x | x | x |
| 8 | 8611-006 | Ground Terminal | x | x | x | x |
| 9 | 3000-968 | 6 Pin Connector | x | x | x | x |
| 10 | 8201-034 | Lockout Relay (Optional) | x | x | x | x |
| 11 | 8201-065 | Low Pressure Bypass (TDR) (Optional) | x | x | x | x |
| 12 | 8201-050 | Compressor TDR (Optional) | x | x | x | x |
| 12 | 8201-067 | Compressor TDR Adj (Optional) | x | x | x | x |
| 13 | 8201-062 | Alarm Relay (Optional) | x | x | x | x |
| 13 | 8607-017 | Terminal Block (Optional) (Shown) | x | x | x | x |
| 14 | 8551-005 | Start Device (PTCR) (Optional) | x | x | | x |
| 16 | 117-137 | Control Panel Top | x | x | x | x |
| 17 | 117-123 | Control Panel | x | x | x | x |
| | 4095-110 | Wiring Diagram | x | | | x |
| | 4095-210 | Wiring Diagram | | x | | |
| | 4095-310 | Wiring Diagram | | | x | |

Date: 1-11-93
Supersedes: 6-05-92

BLOWER ASSEMBLY



BLOWER ASSEMBLY

| Dwg. No. | Part No. | Description | 9 | 9 |
|----------|----------|--------------------------------|---|---|
| | | | 0 | 0 |
| | | | 0 | 0 |
| | | | 1 | 1 |
| | | | 8 | 8 |
| | | | 1 | 2 |
| 1 | 5152-069 | Housing, Wheel and Cutoff (CW) | X | X |
| 2 | 5152-070 | Housing, Wheel and Cutoff | X | X |
| 3 | 8102-011 | Blower Motor (230/208) | X | |
| 3 | 8105-033 | Blower Motor (460) | | X |
| 4 | 8552-002 | Capacitor | X | X |
| 5 | 8200-039 | Motor Mount | X | X |
| 6 | 5451-011 | Grommets | 6 | 6 |
| 7 | 105-869 | Back Brace | X | X |
| 8 | 104-868 | Side Angle | 4 | 4 |
| 9 | 103-400 | Front Brace | X | X |

Date: 1-11-93
 Supersedes: 6-05-92