

# REPLACEMENT PARTS MANUAL

## WALL MOUNTED PACKAGE AIR CONDITIONER MODEL 60WA

Manual 2110-407

Revision C

Date 3-01-91

Supersedes 9-14-90

\*\*\*\*\*  
\* GENERAL NOTES \*  
\*\*\*\*\*

\*Revised and/or additional pages may be issued from time to time.  
\*A complete and current manual consists of pages dated as shown in the following index.

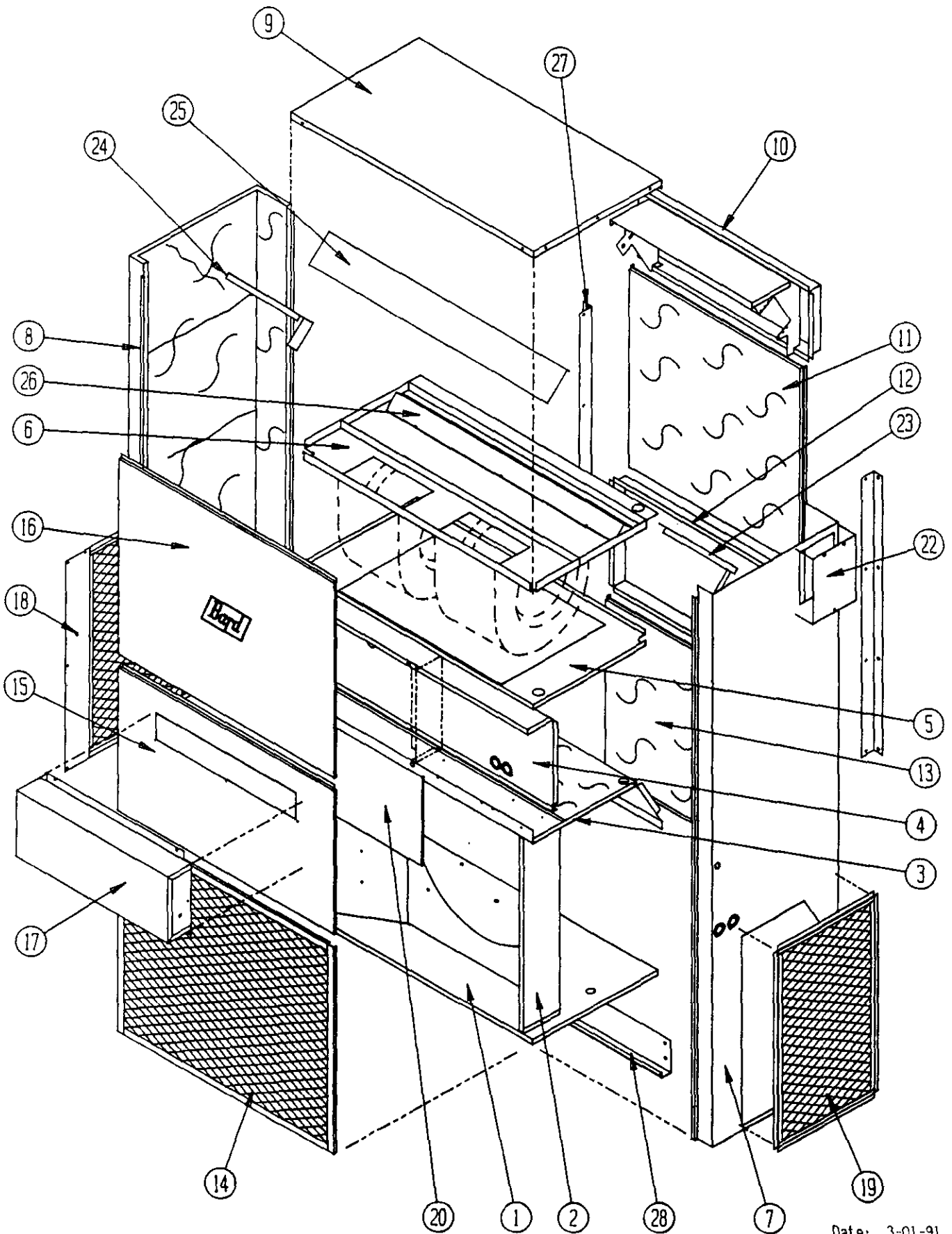
\*\*\*\*\*  
\*\* INDEX \*\*  
\*\*\*\*\*

<u>Page Description</u>	<u>Page</u>	<u>Date</u>	<u>Supersedes</u>
Cabinet Components--Exploded View	1	3-01-91	7-11-89
" " --Usage List	2	3-01-91	9-14-90
Functional Components--Exploded View	3	7-11-89	
" " --Usage List	4	3-01-91	7-11-89
Functional Components--Exploded View	5	7-11-89	
" " --Usage List	6	3-01-91	7-11-89
Control Panel W/O Circuit Breaker--Layout	7	9-14-90	7-11-89
" " " " " --Usage List	8	9-14-90	1-25-90
Control Panel W/Circuit Breaker--Layout	9	9-14-90	7-11-89
" " " " " --Usage List	10	9-14-90	1-25-90
Blower Assembly--Exploded View	11	7-11-89	
" " --Usage List	12	9-14-90	7-11-89

\*\*\*\*\*  
\*\*\* IMPORTANT \*\*\*  
\*\*\*\*\*

Contact the installing and/or local Bard distributor for all parts requirements. Make sure you have the complete model and serial number available from the unit rating plate.

CABINET COMPONENTS



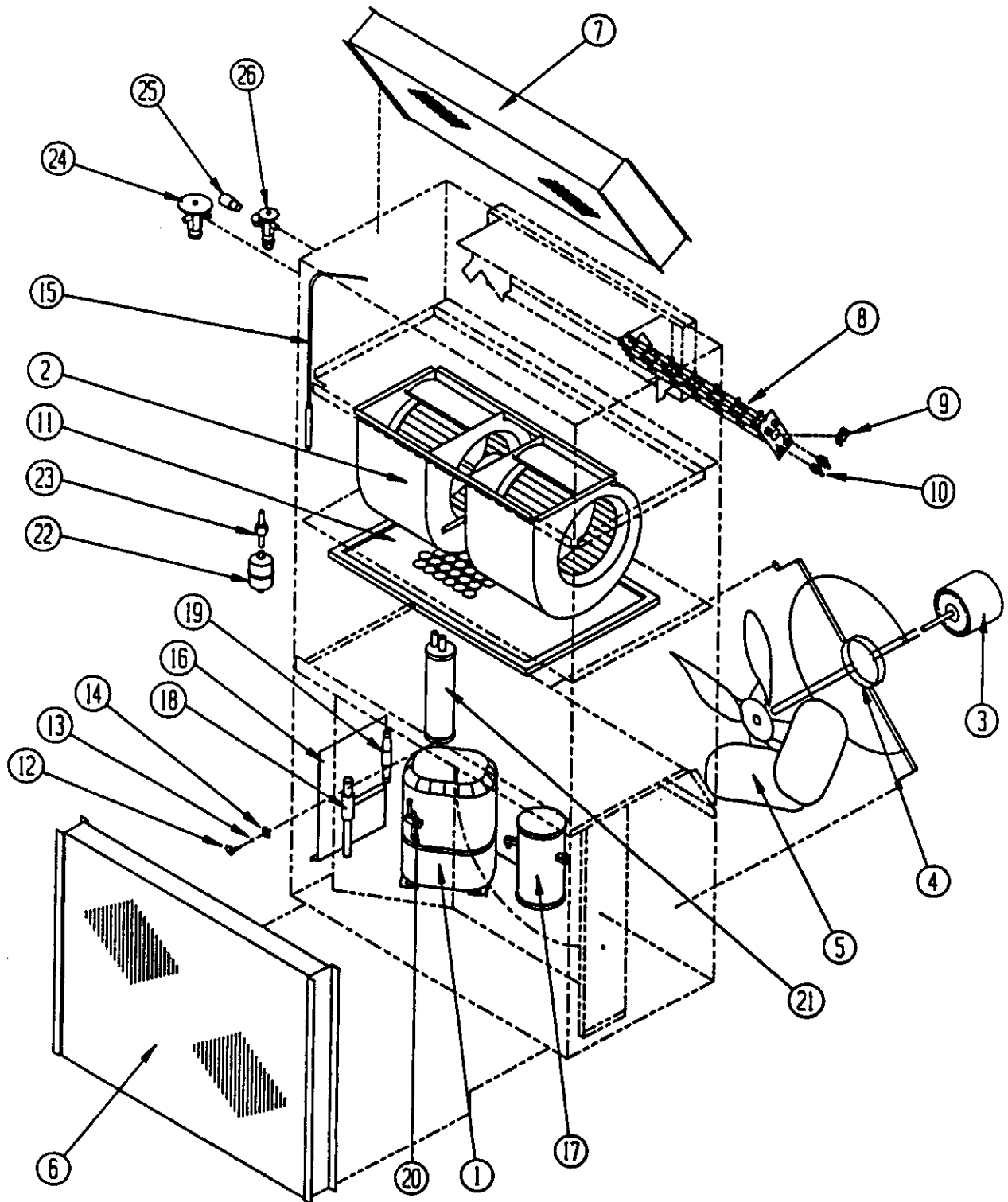
Date: 3-01-91  
Supersedes: 7-11-89

CABINET COMPONENTS

Item	Part No.	Description	6 O W A   A	6 O W A   B, C
1	127-005	Lower Base	X	X
2	124-003	Fan Shroud	X	X
3	520-133	Condenser Partition	X	X
4	Control Pnl. Assy.	See Control Panel Assembly Drawing and Parts List	X	X
5	130-075	Filter Tray	X	X
6	521-006	Water Pan/Blower Partition	X	X
7	501-168	Right Side	X	X
8	501-169	Left Side	X	X
9	506-097	Top	X	X
10	111-019	Outlet Airframe Assembly	X	X
11	508-059	Upper Back	X	X
12	111-020	Inlet Air Frame Assembly	X	X
13	108-060	Lower Back	X	X
14	119-005	Coil Grille	X	X
15	552-108	Service Door	X	X
16	514-047	Upper Front	X	X
17	962002	Fresh Air Damper	X	X
18	119-006	Left Side Grille		X
18	119-007	Left Side Grill	X	
19	119-008	Right Side Grille	X	X
20	Control Cover	See Control Panel Assembly Drawing and Parts List	X	X
22	542X005	Right Side Cover Plate	X	X
23	140-010	Support--Right Coil	X	X
24	140-011	Support--Left Coil	X	X
25	134-011	Top Evaporator Fill	X	X
26	136-003	Bottom Evaporator Fill	X	X
27	112-009	Side Mounting Bracket	X	X
28	112-006	Bottom Mounting Bracker	X	X

Date: 3-01-91  
Supersedes: 9-14-90

FUNCTIONAL COMPONENTS



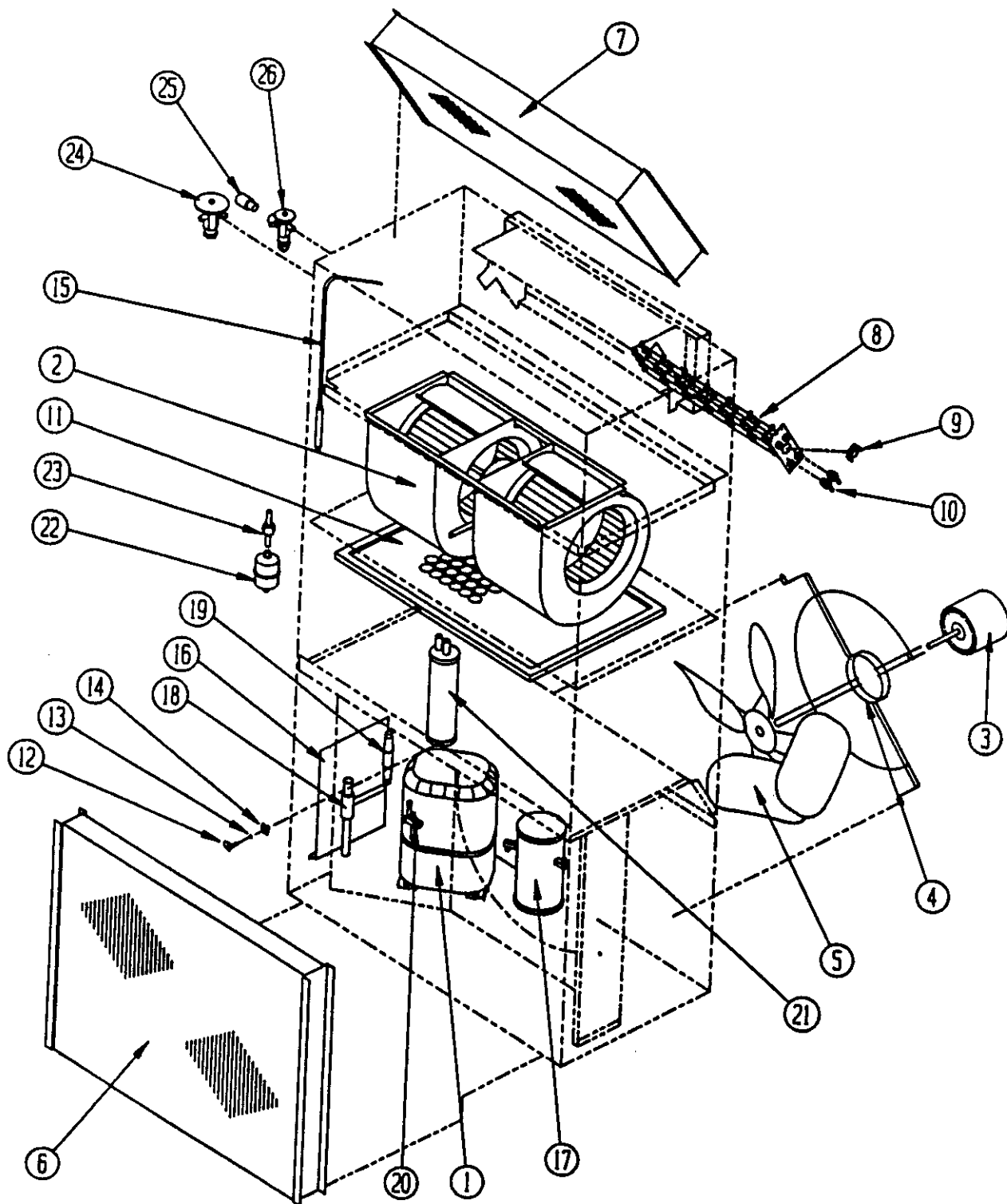
Date: 7-11-89  
Supersedes:

FUNCTIONAL COMPONENTS

Dwg. No.	Part No.	Description	6 O W A   A O O N, C	6 O W A   A O O N, C	6 O W A   A 1 5 N, C	6 O W A   A 2 0 N, C	6 O W A   B O N, C	6 O W A   B O N, C	6 O W A   B 1 5 N, C	6 O W A   B 1 8 N, C	6 O W A   C O N, C	6 O W A   C O N, C	6 O W A   C 1 5 N, C	6 O W A   E O N	6 O W A   E 1 5 N	6 O W A   F O N	6 O W A   F 1 4 N	
1	8000-091	Compressor H23A543ABCA	x	x	x	x												
1	8000-031	Compressor AG5553E					x	x	x	x				x	x			
1	8000-048	Compressor AG5553F									x	x	x				x	x
2	900-119	Blower Assembly (Complete)	x	x	x	x	x	x	x	x				x	x	x	x	x
2	900-120	Blower Assembly (Complete)									x	x	x					
3	8105-014	Condenser Motor												x	x	x	x	x
3	8105-035	Condenser Motor	x	x	x	x	x	x	x									
3	8105-030	Condenser Motor								x	x	x						
4	8200-004	Motor Mount--Condenser	x	x	x	x	x	x	x	x	x	x	x	x	x	x	x	x
5	5151-026	Fan Blade												x	x	x	x	x
5	5151-027	Fan Blade	x	x	x	x	x	x	x	x	x	x						
6	5051-028	Condenser Coil	x	x	x	x	x	x	x	x	x	x	x	x	x	x	x	x
7	5060-039	Evaporator Coil	x	x	x	x	x	x	x	x	x	x	x	x	x	x	x	x
8	8604-091	Heat Strip		x		2												
8	8604-047	Heat Strip			x			x							x			
8	8604-048	Heat Strip							2									
8	8604-072	Heat Strip									x							
8	8604-052	Heat Strip										x						
8	8604-087	Heat Strip																x
9	8402-047	Limit Control		x	x	x		x	x	x		x	x			x		x
10	8402-032	Thermal Cutoff 4K9239H		2	3	4		2	3	4					3			4
10	8402-057	Thermal Cutoff 4K4218AH									2	3						
11	7004-016	Air Filter 20 x 30 x 1	x	x	x	x	x	x	x	x	x	x	x	x	x	x	x	x
12	1171-019	1/4 Turn Fastener	x	x	x	x	x	x	x	x	x	x	x	x	x	x	x	x
13	1171-021	Retainer Washer	x	x	x	x	x	x	x	x	x	x	x	x	x	x	x	x
14	1171-020	Receptacle	x	x	x	x	x	x	x	x	x	x	x	x	x	x	x	x
15	800-0094	Cooling Tube Capillary	x	x	x	x	x	x	x	x	x	x	x	x	x	x	x	x
16	134-068	Wire Shield	x	x	x	x												

Date: 3-01-91  
Supersedes: 7-11-89

FUNCTIONAL COMPONENTS



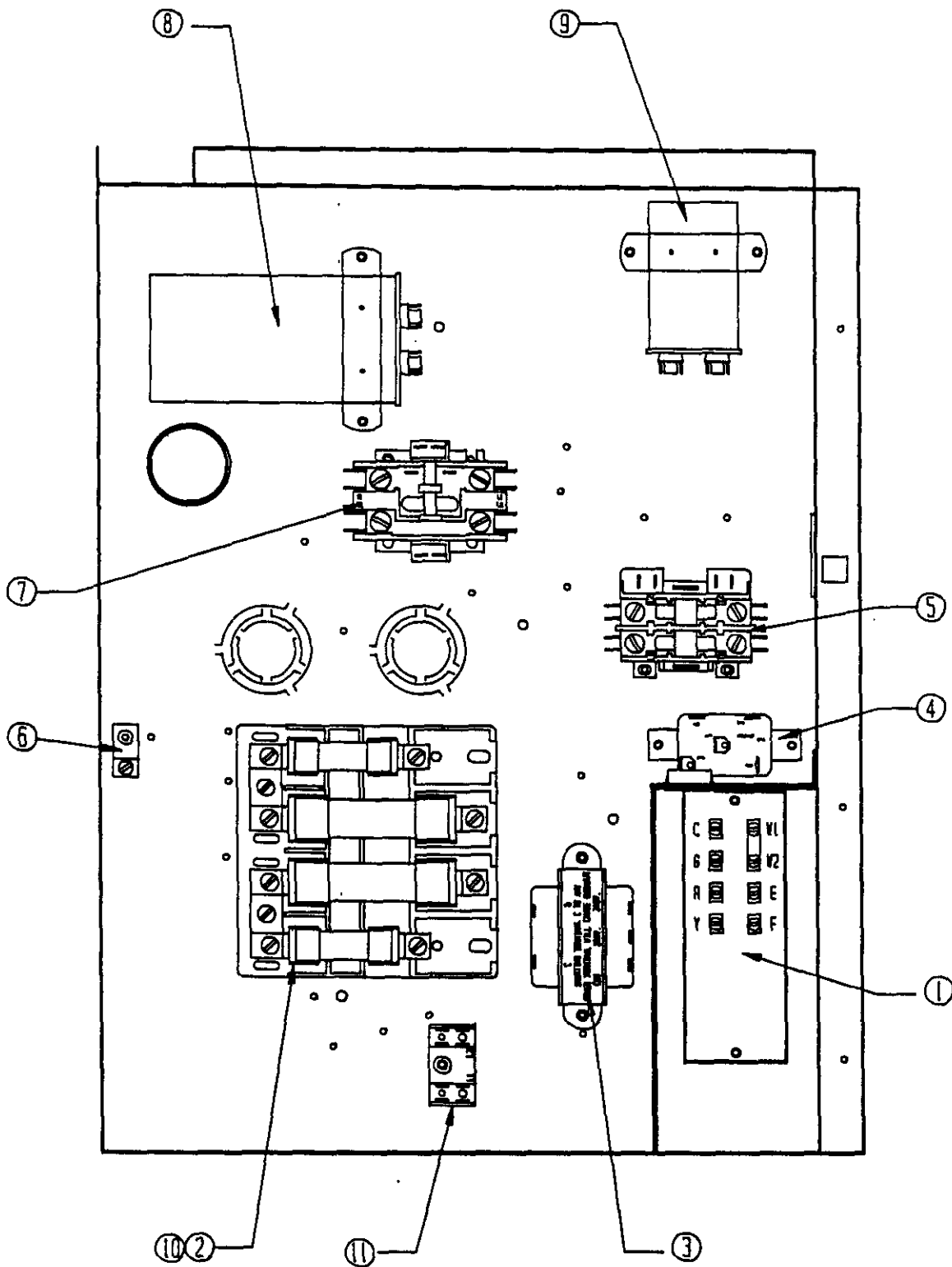
Date: 7-11-89  
Supersedes:

FUNCTIONAL COMPONENTS

Dwg. No.	Part No.	Description	6 O W A   A O O H	6 O W A   A O O H	6 O W A   A 2 O O H	6 O W A   B O O H	6 O W A   B O O H	6 O W A   B O O H	6 O W A   C O O H	6 O W A   C O O H	6 O W A   C O O H
1	8000-091	Compressor R23A543ABCA	x	x	x						
1	8000-031	Compressor AG5553B				x	x	x			
1	8000-048	Compressor AG5553F							x	x	x
2	900-119	Blower Assembly (Complete)	x	x	x	x	x	x			
2	900-120	Blower Assembly (Complete)							x	x	x
3	8105-035	Condenser Motor	x	x	x	x	x	x			
3	8105-030	Condenser Motor							x	x	x
4	8200-004	Motor Mount--Condenser	x	x	x	x	x	x	x	x	x
5	5151-027	Fan Blade	x	x	x	x	x	x	x	x	x
6	5051-028	Condenser Coil	x	x	x	x	x	x	x	x	x
7	5060-025	Evaporator Coil	x	x	x	x	x	x	x	x	x
8	8604-091	Heat Strip		x	2						
8	8604-048	Heat Strip					x	2			
8	8604-072	Heat Strip								x	
8	8604-052	Heat Strip									x
9	8402-047	Limit Control		x	x		x	x		x	x
10	8402-032	Thermal Cutoff 4K9239H			2	4		2	4		
10	8402-057	Thermal Cutoff 4K4218AH								2	3
11	7004-016	Air Filter 20 x 30 x 1	x	x	x	x	x	x	x	x	x
12	1171-019	1/4 Turn Fastener	x	x	x	x	x	x	x	x	x
13	1171-021	Retainer Washer	x	x	x	x	x	x	x	x	x
14	1171-020	Receptacle	x	x	x	x	x	x	x	x	x
16	134-010	Wire Shield				x	x	x	x	x	x
16	134-068	Wire Shield	x	x	x						
17	5203-006	Receiver	x	x	x	x	x	x	x	x	x
18	5651-015	Head Pressure Control Valve	x	x	x	x	x	x	x	x	x
19	5651-016	Pressure Differential Valve	x	x	x	x	x	x	x	x	x
20	5651-051	Shutoff Valve	x	x	x	x	x	x	x	x	x
21	5202-018	Accumulator	x	x	x	x	x	x	x	x	x
22	5201-002	Filter Drier	x	x	x	x	x	x	x	x	x
23	5201-014	Sight Glass	x	x	x	x	x	x	x	x	x
24	5651-064	Hot Gas Bypass Valve	x	x	x	x	x	x	x	x	x
25	5651-008	Distributor	x	x	x	x	x	x	x	x	x
26	5651-040	Expansion Valve	x	x	x	x	x	x	x	x	x

Date: 3-01-91  
Supersedes: 7-11-89

CONTROL PANEL WITHOUT CIRCUIT BREAKER



Date: 9-14-90  
 Supersedes: 7-11-89

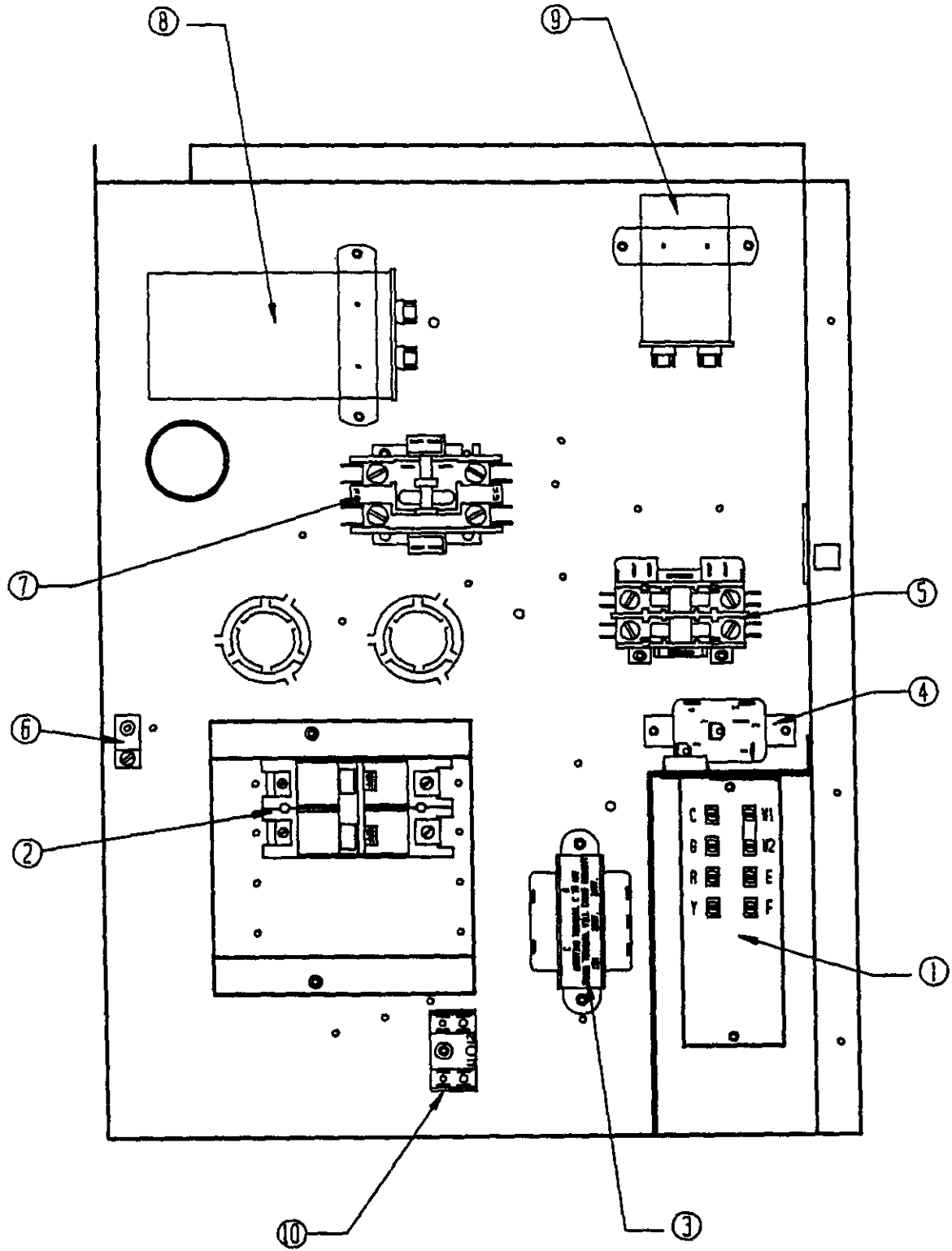


CONTROL PANEL  
WITHOUT CIRCUIT BREAKER

Dwg. No.	Part No.	Description	6	6	6	6	6	6	6	6	6	6	6	6	6	6	6
			O W A   A O O N, H	O W A   A O O N, H	O W A   A O O N, H	O W A   A O O N, H	O W A   B O O N, H	O W A   B O O N, H	O W A   B O O N, H	O W A   B O O N, H	O W A   C O O N, H	O W A   C O O N, H	O W A   C O O N, H	O W A   E O O N	O W A   E O O N	O W A   E O O N	O W A   F O O N
1	8607-018	Low Voltage Strip	X	X	X	X	X	X	X	X	X	X	X	X	X	X	
2	8607-013	Terminal Block	X	X												2	
2	8607-014	Terminal Block					X	X	X	X	X	X	X				
2	8614-017	Fuse Block			X												
2	8614-018	Fuse Block				X											
3	8407-034	Transformer	X	X	X	X	X	X	X				X	X	X	X	
3	8407-027	Transformer								X	X	X					
4	8201-009	Blower Relay	X	X	X	X	X	X	X				X	X	X	X	
4	8201-032	Blower Relay								X	X	X					
5	8401-006	Heat Contactor		X	2	2		X	2	2					2		
5	8401-002	Heat Contactor									X	X				2	
6	8611-006	Ground Terminal	X	X	X	X	X	X	X	X	X	X	X	X	X	X	
7	8401-016	Compressor Contactor	X	X	X	X											
7	8401-002	Compressor Contactor									X	X	X			X	
7	8401-011	Compressor Contactor					X	X	X	X				X	X		
8	8552-031	Compressor Capacitor 45/440	X	X	X	X											
9	8552-005	Condenser Fan Capacitor 10/370	X	X	X	X	X	X	X				X	X	X	X	
9	8552-026	Condenser Fan Capacitor 15/370								X	X	X					
10	134-051	Terminal Block Shield													X	X	
10	8607-015	Phenolic Insulator								X	X	X					
11	8607-017	Terminal Block								X	X	X					
	4010-110	Wiring Diagram	X														
	4010-130	Wiring Diagram		X													
	4010-140	Wiring Diagram			X												
	4010-150	Wiring Diagram				X											
	4010-210	Wiring Diagram					X										
	4010-220	Wiring Diagram						X									
	4010-230	Wiring Diagram							X								
	4010-240	Wiring Diagram								X							
	4010-310	Wiring Diagram									X						
	4010-320	Wiring Diagram										X					
	4010-330	Wiring Diagram											X				
	4010-510	Wiring Diagram												X			
	4010-530	Wiring Diagram													X		
	4010-610	Wiring Diagram														X	
	4010-630	Wiring Diagram														X	
	132-081	Control Panel Cover	X	X			X	X	X	X	X	X	X	X	X	X	
	133-054	Control Panel Cover			X	X											

Date: 9-14-90  
Supersedes: 1-25-90

CONTROL PANEL WITH CIRCUIT BREAKER



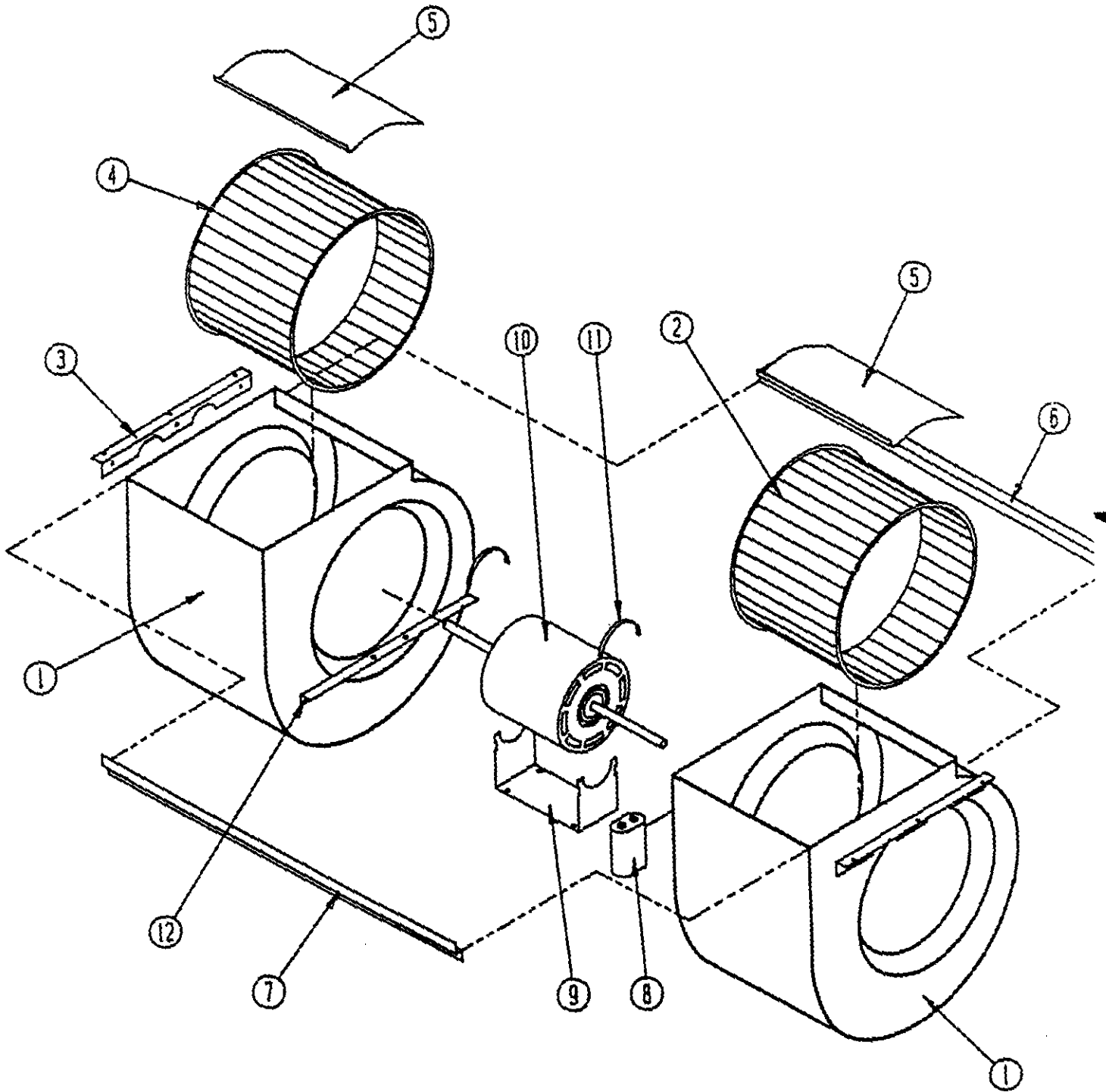
Date: 9-14-90  
Supersedes: 7-11-89

CONTROL PANEL  
WITH CIRCUIT BREAKER

Dwg. No.	Part No.	Description	6 O W A   A O O C	6 O W A   A O O C	6 O W A   A O O C	6 O W A   A O O C	6 O W A   B O O C	6 O W A   B O O C	6 O W A   B O O C	6 O W A   B O O C	6 O W A   C O O C	6 O W A   C O O C	6 O W A   C O O C
1	8607-018	Low Voltage Strip	X	X	X	X	X	X	X	X	X	X	X
2	8615-016	Circuit Breaker 60A	X	X	X	2							
2	8615-013	Circuit Breaker 30A			X								
2	8615-021	Circuit Breaker 45A					X	X					
2	8615-011	Circuit Breaker 60A							X	X			
2	8615-030	Circuit Breaker 20A									X	X	
2	8615-032	Circuit Breaker 30A											X
3	8607-034	Transformer	X	X	X	X	X	X	X	X			
3	8607-027	Transformer									X	X	X
4	8201-009	Blower Relay	X	X	X	X	X	X	X	X			
4	8201-032	Blower Relay									X	X	X
5	8401-006	Heat Contactor		X	2	2		X	2	2			
5	8401-002	Heat Contactor										X	X
6	8611-006	Ground Terminal	X	X	2	2	X	X	X	X	X	X	X
7	8401-016	Compressor Contactor	X	X	X	X						X	X
7	8401-002	Compressor Contactor										X	X
7	8401-011	Compressor Contactor					X	X	X	X			
8	8552-031	Compressor Capacitor 45/440	X	X	X	X							
9	8552-005	Condenser Fan Capacitor 10/370	X	X	X	X	X	X	X	X			
9	8552-026	Condenser Fan Capacitor 15/370									X	X	X
10	8607-017	Terminal Block									X	X	X
	4010-111	Wiring Diagram	X										
	4010-131	Wiring Diagram		X									
	4010-141	Wiring Diagram			X								
	4010-151	Wiring Diagram				X							
	4010-211	Wiring Diagram					X						
	4010-221	Wiring Diagram						X					
	4010-231	Wiring Diagram							X				
	4010-241	Wiring Diagram								X			
	4010-311	Wiring Diagram									X		
	4010-321	Wiring Diagram										X	
	4010-331	Wiring Diagram											X
	132-092	Control Panel Cover									X	X	X
	132-094	Control Panel Cover	X	X	X	X	X	X	X	X			

Date: 9-14-90  
Supersedes: 1-25-90

# BLOWER ASSEMBLY



Date: 7-11-89  
Supersedes:

BLOWER ASSEMBLY

Dwg. No.	Part No.	Description	9 0 0 1 1 9	9 0 0 1 2 0	9 0 0 1 2 1
1	151-068	Blower Housing	2	2	2
2	5152-011	Blower Wheel 10-8, CW	x	x	
2	5152-057	Blower Wheel 9-8, CW			x
3	104-791	Blower Angle	2	2	2
4	5152-012	Blower Wheel 10-8, CCW	x	x	
4	5152-058	Blower Wheel 9-8, CCW			x
5	144-126	Diffuser	2	2	2
6	104-802	Back Brace	x	x	x
7	102-389	Front Offset	x	x	x
8	8552-005	Capacitor 10/370	x	x	x
9	128-002	Motor Mount--Cradle	x	x	x
10	8106-023	Motor	x		x
10	8106-025	Motor		x	
11	8200-018	Motor Mount Latch	2	2	2
12	104-788	Motor Support Angle	2	2	2

Date: 9-14-90  
Supersedes: 7-11-89

