

REPLACEMENT PARTS MANUAL

WALL MOUNTED PACKAGE AIR CONDITIONER MODEL 42WA

Manual 2110-405

Revision --

Date 7-11-89

Supersedes

* GENERAL NOTES *

*Revised and/or additional pages may be issued from time to time.
*A complete and current manual consists of pages dated as shown in the following index.

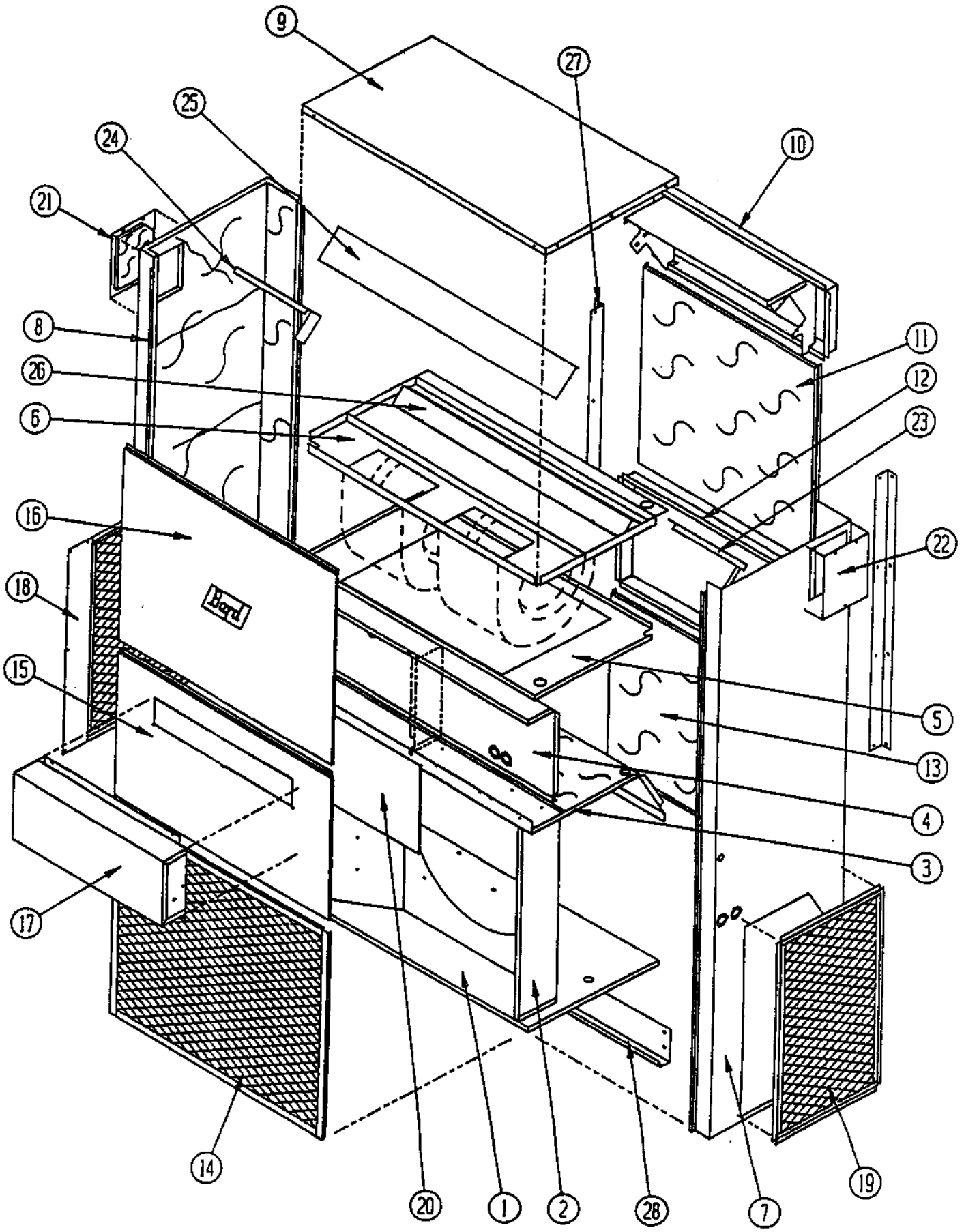
** INDEX **

<u>Page Description</u>	<u>Page</u>	<u>Date</u>	<u>Supersedes</u>
Cabinet Components--Exploded View	1	7-11-89	
" " --Usage List	2	7-11-89	
Functional Components--Exploded View	3	7-11-89	
" " --Usage List	4	7-11-89	
Control Panel W/O Circuit Breaker--Layout	5	7-11-89	
" " " " " --Usage List	6	7-11-89	
Control Panel W/Circuit Breaker--Layout	7	7-11-89	
" " " " " --Usage List	8	7-11-89	
Blower Assembly--Exploded View	9	7-11-89	
" " --Usage List	10	7-11-89	

*** IMPORTANT ***

Contact the installing and/or local Bard distributor for all parts requirements. Make sure you have the complete model and serial number available from the unit rating plate.

CABINET COMPONENTS



Date: 7-11-89
Supersedes:

CABINET COMPONENTS

Item	Part No.	Description	U S A G E
1	127-005	Lower Base	X
2	124-003	Fan Shroud	X
3	520-133	Condenser Partition	X
4	Control Pnl. Assy.	See Control Panel Assembly Drawing and Parts List	X
5	131-004	Filter Tray	X
6	521-006	Water Pan/Blower Partition	X
7	501-168	Right Side	X
8	501-169	Left Side	X
9	506-097	Top	X
10	111-019	Outlet Airframe Assembly	X
11	508-059	Upper Back	X
12	111-020	Inlet Air Frame Assembly	X
13	508-060	Lower Back	X
14	119-005	Coil Grille	X
15	552-108	Service Door	X
16	514-047	Upper Front	X
17	FAD25	Fresh Air Damper	X
18	119-006	Left Side Grille	X
19	119-008	Right Side Grille	X
20	Control Cover	See Control Panel Assembly Drawing and Parts List	X
21	542Y005	Left Side Cover Plate	X
22	542X005	Right Side Cover Plate	X
23	140-010	Support--Right Coil	X
24	140-011	Support--Left Coil	X
25	134-011	Top Evaporator Fill	X
26	137-003	Bottom Evaporator Fill	X
27	112-009	Side Mounting Bracket	X
28	112-006	Bottom Mounting Bracket	X

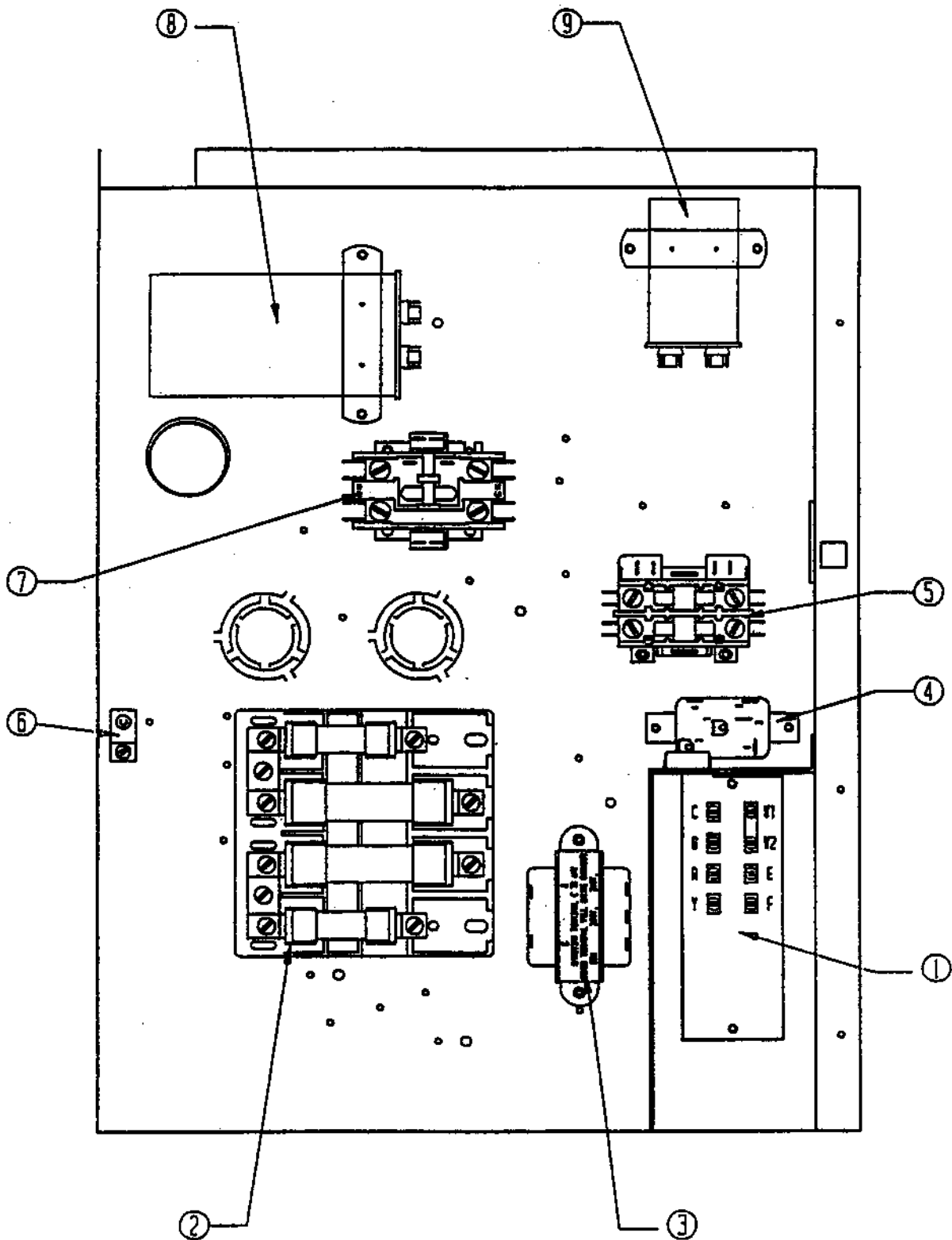
Date: 7-11-89
Supersedes:

FUNCTIONAL COMPONENTS

Dwg. No.	Part No.	Description	4	4	4	4	4	4	4	4	4	4	4	4	4	4
			2	2	2	2	2	2	2	2	2	2	2	2	2	2
			W	W	W	W	W	W	W	W	W	W	W	W	W	
			A	A	A	A	A	A	A	A	A	A	A	A	A	A
			A	A	A	A	B	B	B	B	B	B	B	B	B	B
			O	O	O	O	O	O	O	O	O	O	O	O	O	O
			O	O	O	O	O	O	O	O	O	O	O	O	O	O
			N,	N,	N,	N,	N,	N,	N,	N,	N,	N,	N,	N,	N,	N,
			C	C	C	C	C	C	C	C	C	C	C	C	C	C
1	8000-039	Compressor													X	X
1	8000-058	Compressor CRJ3-0300-PFV	X	X	X	X										
1	8000-059	Compressor CRJ3-0300-TF5					X	X	X	X	X	X				
1	8000-060	Compressor											X	X		
2	900-119	Blower Assembly (Complete)	X	X	X	X	X	X	X	X	X	X	X	X	X	X
3	8105-014	Motor									X	X	X	X	X	X
3	8105-035	Condenser Motor	X	X	X	X	X	X	X	X						
4	8200-004	Motor Mount--Condenser	X	X	X	X	X	X	X	X	X	X	X	X	X	X
5	5151-026	Fan Blade									X	X	X	X	X	X
5	5151-027	Fan Blade	X	X	X	X	X	X	X	X						
6	5051-027	Condenser Coil	X	X	X	X	X	X	X	X	X	X	X	X	X	X
7	5060-025	Evaporator Coil	X	X	X	X	X	X	X	X	X	X	X	X	X	X
8	8604-091	Heat Strip		X		2										
8	8604-047	Heat Strip			X			X				X				X
8	8604-048	Heat Strip						X		2						
8	8604-087	Heat Strip												X		
9	8402-047	Limit Control		X	X	X		X	X	X		X		X		X
10	8402-032	Thermal Cutoff 4K9239H		2	3	4		2	3	4		3		4		3
11	7004-016	Air Filter 20 x 30 x 1	X	X	X	X	X	X	X	X	X	X	X	X	X	X
12	1171-019	1/4 Turn Fastener	X	X	X	X	X	X	X	X	X	X	X	X	X	X
13	1171-021	Retainer Washer	X	X	X	X	X	X	X	X	X	X	X	X	X	X
14	1171-020	Receptacle	X	X	X	X	X	X	X	X	X	X	X	X	X	X
15	800-0092	Cooling Tube Capillary	X	X	X	X	X	X	X	X	X	X	X	X	X	X

Date: 7-11-89
Supersedes:

CONTROL PANEL WITHOUT CIRCUIT BREAKER



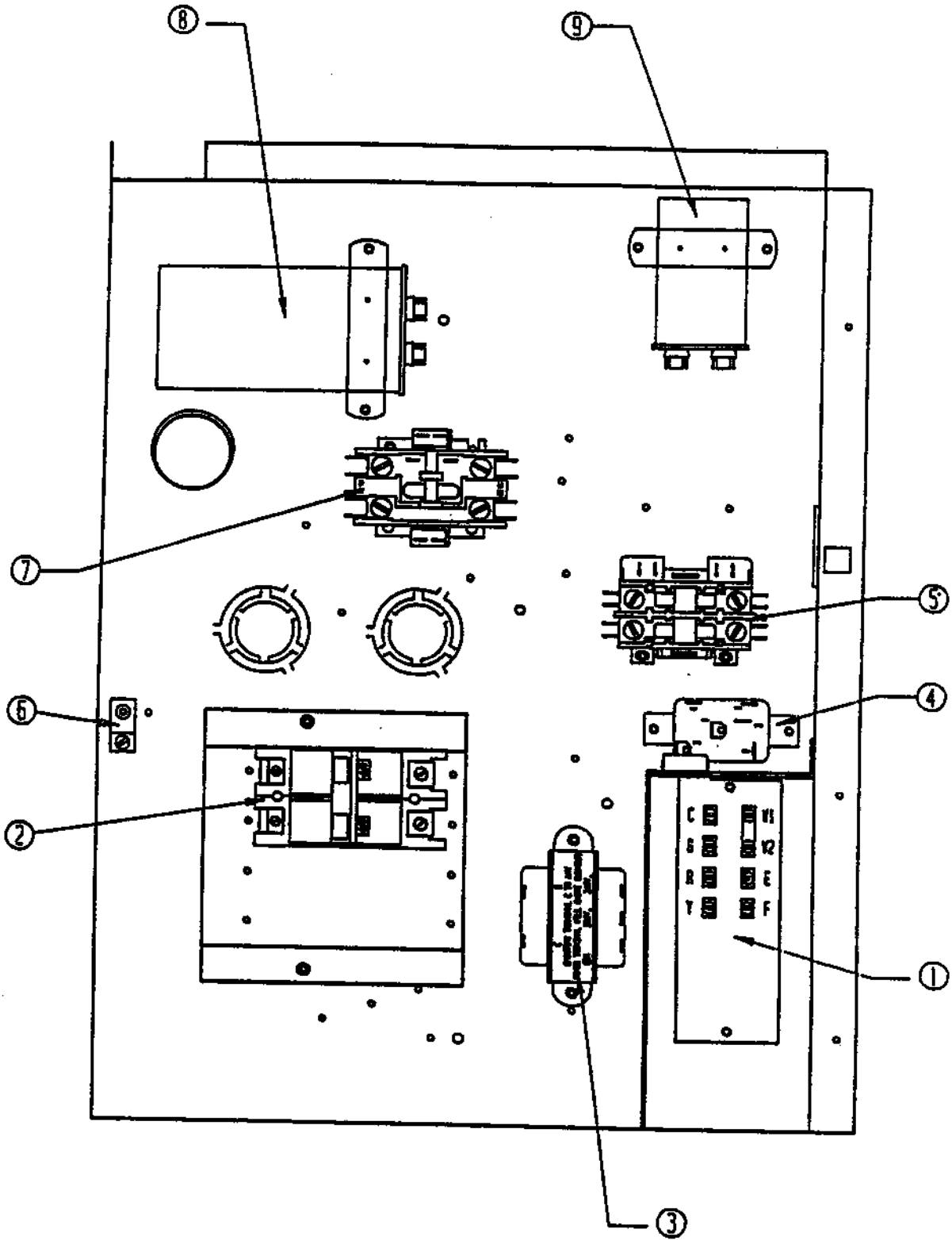
Date: 7-11-89
Supersedes:

CONTROL PANEL
WITHOUT CIRCUIT BREAKER

Dwg. No.	Part No.	Description	4	4	4	4	4	4	4	4	4	4	4	4	4	4
			2	2	2	2	2	2	2	2	2	2	2	2	2	2
			W	W	W	W	W	W	W	W	W	W	W	W	W	
			A	A	A	A	A	A	A	A	A	A	A	A	A	
			A	A	A	A	B	B	B	B	B	E	F	F	G	
			O	1	1	2	O	O	1	1	O	1	O	1	O	
			O	O	5	O	O	9	5	8	O	5	O	4	O	
			N	N	N	N	N	N	N	N	N	N	N	N	N	
1	8607-018	Low Voltage Terminal Strip	X	X	X	X	X	X	X	X	X	X	X	X	X	
2	8607-013	Terminal Block	X	X								2	2	X		
2	8614-017	Fuse Block			X										X	
2	8614-018	Fuse Block				X										
2	8607-014	Terminal Block					X	X	X	X	X					
3	8407-034	Transformer	X	X	X	X	X	X	X	X	X	X	X	X	X	
4	8201-009	Blower Relay	X	X	X	X	X	X	X	X	X	X	X	X	X	
5	8401-002	Heat Contactor												2		
5	8401-006	Heat Contactor		X	2	2		X	2	2		2			2	
6	8611-006	Ground Terminal	X	X	X	X	X	X	X	X	X	X	X	X	X	
7	8401-007	Compressor Contactor	X	X	X	X									X	
7	8401-002	Compressor Contactor					X	X	X	X	X	X	X		X	
8	8552-028	Compressor Capacitor 35/440	X	X	X	X									X	
9	8552-005	Condenser Fan Capacitor 10/370	X	X	X	X	X	X	X	X	X	X	X	X	X	
	4010-110	Wiring Diagram	X													
	4010-130	Wiring Diagram		X												
	4010-140	Wiring Diagram			X											
	4010-150	Wiring Diagram				X										
	4010-210	Wiring Diagram					X									
	4010-220	Wiring Diagram						X								
	4010-230	Wiring Diagram							X							
	4010-240	Wiring Diagram								X						
	4010-411	Wiring Diagram												X		
	4010-441	Wiring Diagram													X	
	4010-510	Wiring Diagram									X					
	4010-530	Wiring Diagram										X				
	4010-610	Wiring Diagram											X			
	4010-630	Wiring Diagram												X		
	132-081	Control Panel Cover	X	X			X	X	X	X	X	X	X	X	X	
	133-054	Control Panel Cover			X	X									X	

Date: 7-11-89
Supersedes:

CONTROL PANEL WITH CIRCUIT BREAKER



Date: 7-11-89
Supersedes:

**CONTROL PANEL
WITH CIRCUIT BREAKER**

Dwg. No.	Part No.	Description	4	4	4	4	4	4	4	4
			W	W	W	W	W	W	W	W
			A	A	A	A	A	A	A	A
			A	A	A	A	B	B	B	B
			O	1	1	2	O	O	1	1
			O	O	5	O	O	9	5	8
			C	C	C	C	C	C	C	C
1	8607-018	Low Voltage Terminal Strip	X	X	X	X	X	X	X	X
2	8615-015	Circuit Breaker 50A	X							
2	8615-016	Circuit Breaker 60A		X	X	2				
2	8615-013	Circuit Breaker 30A			X					
2	8615-019	Circuit Breaker 35A					X	X		
2	8615-011	Circuit Breaker 60A							X	X
3	8407-034	Transformer	X	X	X	X	X	X	X	X
4	8201-009	Blower Relay	X	X	X	X	X	X	X	X
5	8401-006	Heat Contactor		X	2	2		X	2	2
6	8611-006	Ground Terminal	X	X	2	2	X	X	X	X
7	8401-007	Compressor Contactor	X	X	X	X				
7	8401-002	Compressor Contactor					X	X	X	X
8	8552-028	Compressor Capacitor 35/440	X	X	X	X				
9	8552-005	Compressor Capacitor 10/370	X	X	X	X	X	X	X	X
	4010-111	Wiring Diagram	X							
	4010-131	Wiring Diagram		X						
	4010-141	Wiring Diagram			X					
	4010-151	Wiring Diagram				X				
	4010-211	Wiring Diagram					X			
	4010-221	Wiring Diagram						X		
	4010-231	Wiring Diagram							X	
	4010-241	Wiring Diagram								X
	132-094	Control Panel Cover	X	X	X	X	X	X	X	X

Date: 7-11-89
Supersedes:

BLOWER ASSEMBLY

Dwg. No.	Part No.	Description	9	9	9
			0	0	0
			0	0	0
			1	1	1
			1	2	2
			9	0	1
1	151-068	Blower Housing	2	2	2
2	5152-011	Blower Wheel 10-8, CW	X	X	
2	5152-057	Blower Wheel 9-8, CW			X
3	104-791	Blower Angle	2	2	2
4	5152-012	Blower Wheel 10-8, CCW	X	X	
4	5152-058	Blower Wheel 9-8, CCW			X
5	144-126	Diffuser	2	2	2
6	104-802	Back Brace	X	X	X
7	102-389	Front Offset	X	X	X
8	8552-005	Capacitor 10/370	X	X	X
9	128-002	Motor Mount--Cradle	X	X	X
10	8106-023	Motor	X		X
10	8106-024	Motor		X	
11	8200-018	Motor Mount Latch	2	2	2
12	104-788	Motor Support Angle	2	2	2

Date: 7-11-89
Supersedes: