

REPLACEMENT PARTS MANUAL

WALL MOUNTED PACKAGE AIR CONDITIONER MODEL 42WA

Manual 2110-405

Revision C

Date 3-01-91

Supersedes 9-14-90

* GENERAL NOTES *

*Revised and/or additional pages may be issued from time to time.
*A complete and current manual consists of pages dated as shown in the following index.

** INDEX **

<u>Page Description</u>	<u>Page</u>	<u>Date</u>	<u>Supersedes</u>
Cabinet Components--Exploded View	1	3-01-91	7-11-89
" " --Usage List	2	3-01-91	9-14-90
Functional Components--Exploded View	3	7-11-89	
" " --Usage List	4	7-11-89	
Control Panel W/O Circuit Breaker--Layout	5	7-11-89	
" " " " " --Usage List	6	7-11-89	
Control Panel W/Circuit Breaker--Layout	7	7-11-89	
" " " " " --Usage List	8	7-11-89	
Blower Assembly--Exploded View	9	7-11-89	
" " --Usage List	10	9-14-90	7-11-89

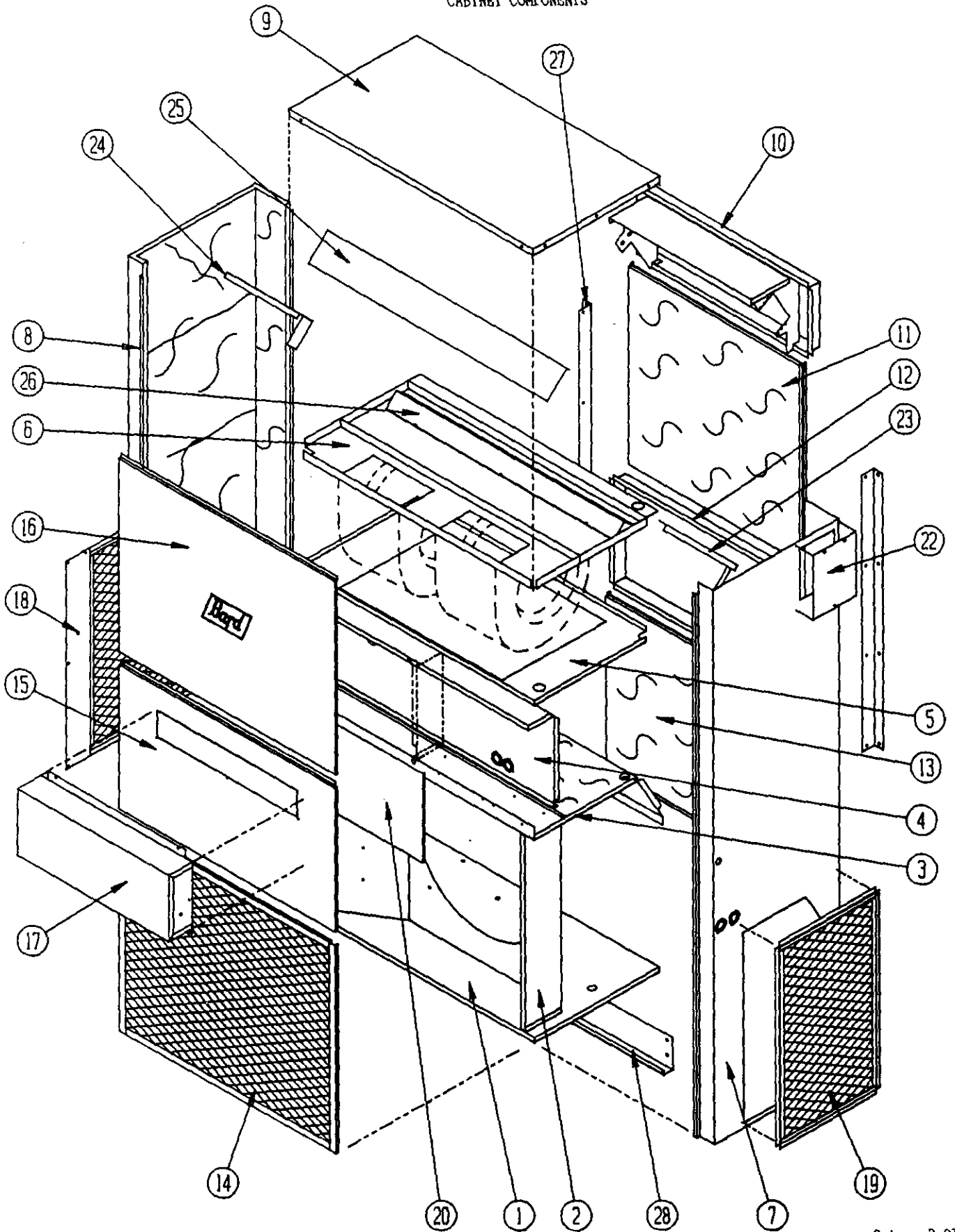
*** IMPORTANT ***

Contact the installing and/or local Bard distributor for all parts requirements. Make sure you have the complete model and serial number available from the unit rating plate.

BARD MANUFACTURING COMPANY

BRYAN, OHIO 43506

CABINET COMPONENTS



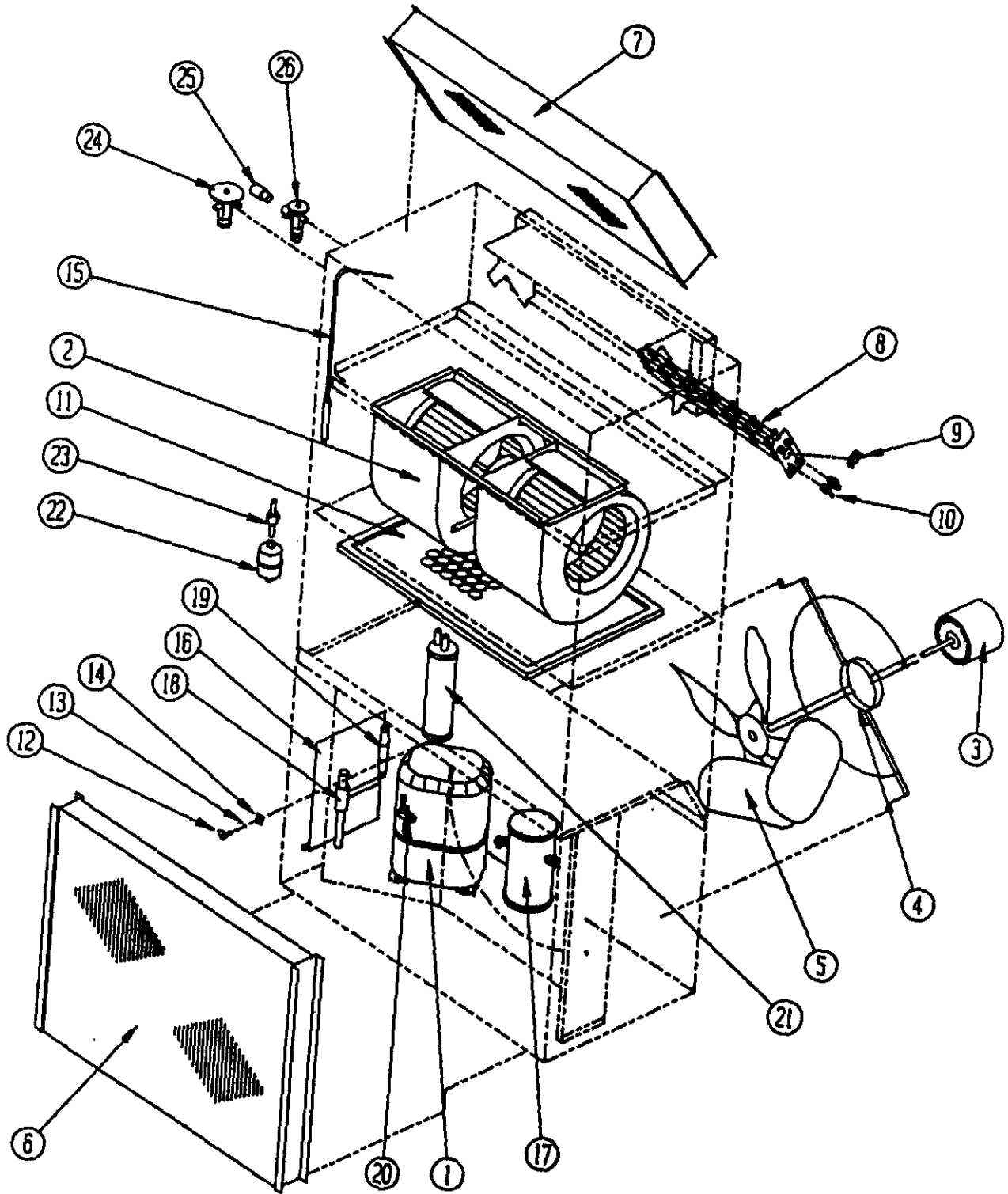
Date: 3-01-91
Supersedes: 7-11-89

CABINET COMPONENTS

Item	Part No.	Description	U S A G E
1	127-005	Lower Base	X
2	124-003	Fan Shroud	X
3	520-133	Condenser Partition	X
4	Control Pnl.Assy.	See Control Panel Assembly Drawing and Parts List	X
5	130-075	Filter Tray	X
6	521-006	Water Pan/Blower Partition	X
7	501-168	Right Side	X
8	501-169	Left Side	X
9	506-097	Top	X
10	111-019	Outlet Airframe Assembly	X
11	508-059	Upper Back	X
12	111-020	Inlet Air Frame Assembly	X
13	108-060	Lower Back	X
14	119-005	Coil Grille	X
15	552-108	Service Door	X
16	514-047	Upper Front	X
17	962002	Fresh Air Damper	X
18	119-007	Left Side Grille	X
19	119-008	Right Side Grille	X
20	Control Cover	See Control Panel Assembly Drawing and Parts List	X
22	542K005	Right Side Cover Plate	X
23	140-010	Support--Right Coil	X
24	140-011	Support--Left Coil	X
25	134-011	Top Evaporator Fill	X
26	136-003	Bottom Evaporator Fill	X
27	112-009	Side Mounting Bracket	X
28	112-006	Bottom Mounting Bracket	X

Date: 3-01-91
Supersedes: 9-14-90

FUNCTIONAL COMPONENTS



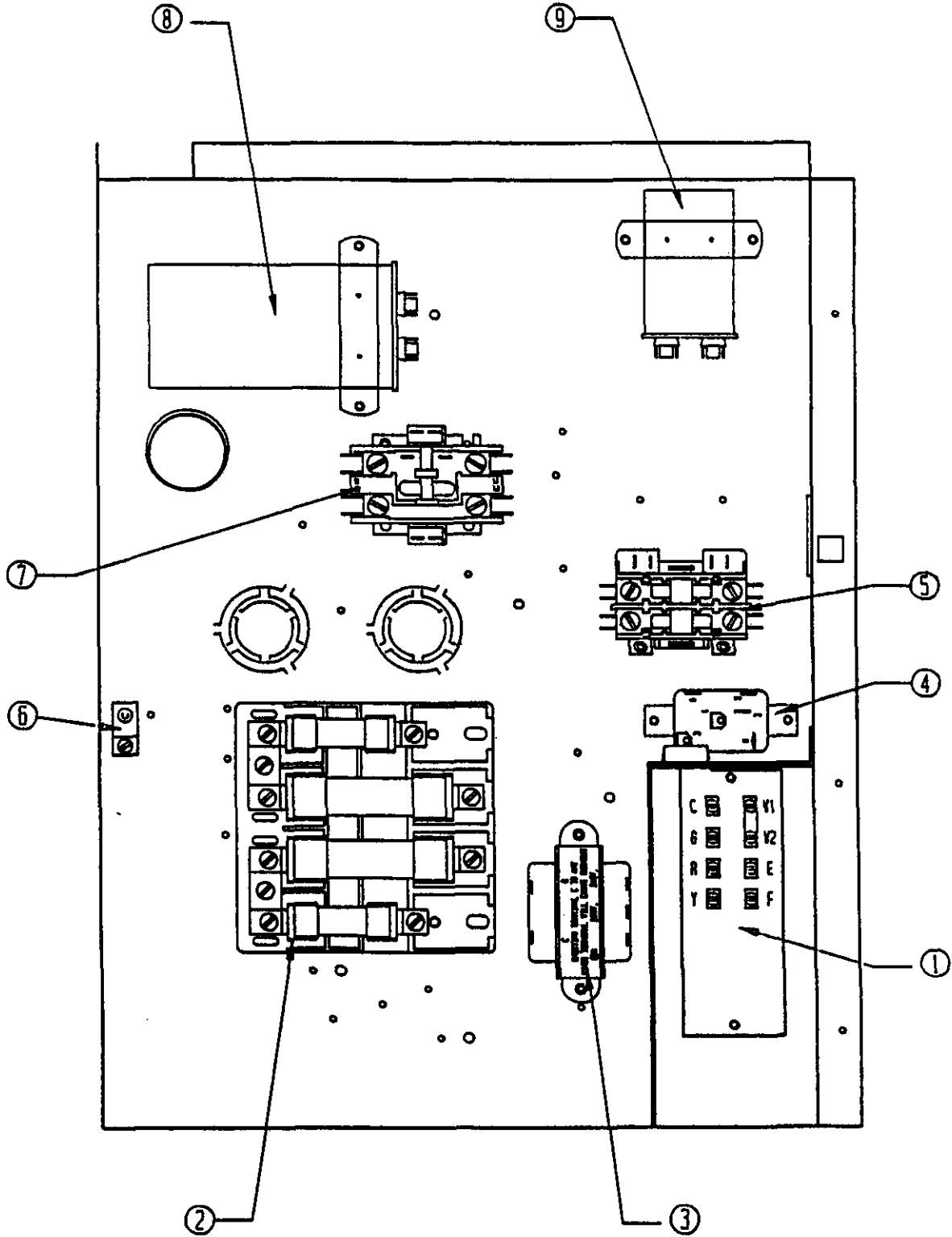
Date: 7-11-89
Supersedes:

FUNCTIONAL COMPONENTS

Dwg. No.	Part No.	Description	4	4	4	4	4	4	4	4	4	4	4	4	4	4	4
			2	2	2	2	2	2	2	2	2	2	2	2	2	2	2
			W	W	W	W	W	W	W	W	W	W	W	W	W	W	
			A	A	A	A	A	A	A	A	A	A	A	A	A	A	
			A	A	A	A	B	B	B	B	E	E	F	F	G	G	
			O	1	1	2	O	O	1	1	O	1	O	1	O	1	
			O	O	5	O	O	9	5	8	O	5	O	4	O	5	
			N,	N,	N,	N,	N,	N,	N,	N,	N	N	N	N	N	N	
			C	C	C	C	C	C	C	C							
1	8000-039	Compressor														X	
1	8000-058	Compressor CRJ3-0300-PEV	X	X	X	X										X	
1	8000-059	Compressor CRJ3-0300-TF5					X	X	X	X	X	X					
1	8000-060	Compressor											X	X			
2	900-119	Blower Assembly (Complete)	X	X	X	X	X	X	X	X	X	X	X	X	X	X	
3	8105-014	Motor									X	X	X	X	X	X	
3	8105-035	Condenser Motor	X	X	X	X	X	X	X	X							
4	8200-004	Motor Mount--Condenser	X	X	X	X	X	X	X	X	X	X	X	X	X	X	
5	5151-026	Fan Blade									X	X	X	X	X	X	
5	5151-027	Fan Blade	X	X	X	X	X	X	X	X							
6	5051-027	Condenser Coil	X	X	X	X	X	X	X	X	X	X	X	X	X	X	
7	5060-025	Evaporator Coil	X	X	X	X	X	X	X	X	X	X	X	X	X	X	
8	8604-091	Heat Strip		X		2											
8	8604-047	Heat Strip			X				X			X				X	
8	8604-048	Heat Strip						X		2							
8	8604-087	Heat Strip												X			
9	8402-047	Limit Control		X	X	X		X	X	X		X		X		X	
10	8402-032	Thermal Cutoff 4K9239H		2	3	4		2	3	4		3		4		3	
11	7004-016	Air Filter 20 x 30 x 1	X	X	X	X	X	X	X	X	X	X	X	X	X	X	
12	1171-019	1/4 Turn Fastener	X	X	X	X	X	X	X	X	X	X	X	X	X	X	
13	1171-021	Retainer Washer	X	X	X	X	X	X	X	X	X	X	X	X	X	X	
14	1171-020	Receptacle	X	X	X	X	X	X	X	X	X	X	X	X	X	X	
15	800-0092	Cooling Tube Capillary	X	X	X	X	X	X	X	X	X	X	X	X	X	X	

Date: 7-11-89
Supersedes:

CONTROL PANEL WITHOUT CIRCUIT BREAKER



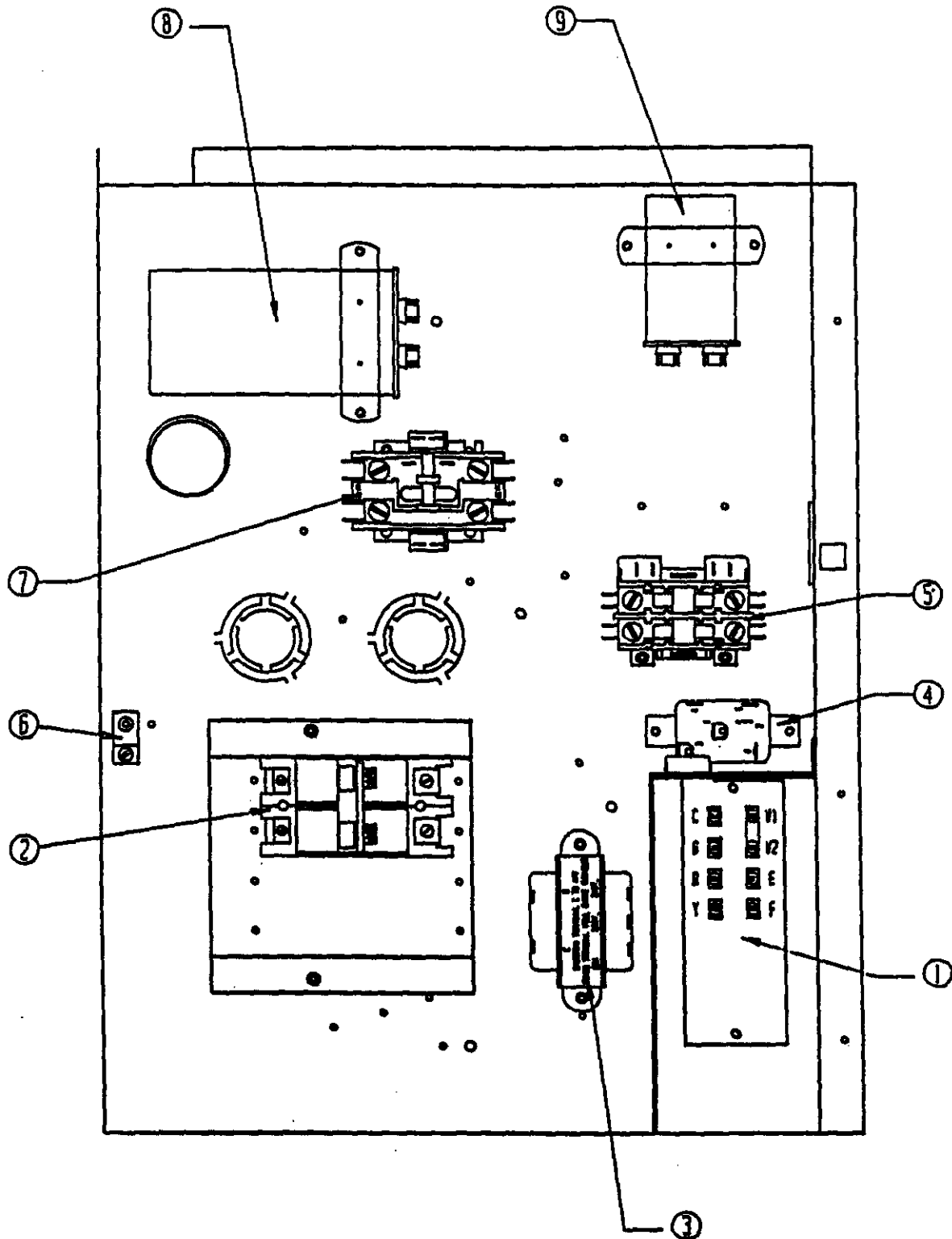
Date: 7-11-89
Supersedes:

CONTROL PANEL
WITHOUT CIRCUIT BREAKER

Dwg. No.	Part No.	Description	4	4	4	4	4	4	4	4	4	4	4	4	4	4	4
			2	2	2	2	2	2	2	2	2	2	2	2	2	2	2
			W	W	W	W	W	W	W	W	W	W	W	W	W	W	
			A	A	A	A	A	A	A	A	A	A	A	A	A	A	
			A	A	A	A	B	B	B	B	E	E	F	F	G	G	
			O	1	1	2	O	O	1	1	O	1	O	1	O	O	
			O	O	5	O	O	9	5	8	O	5	O	4	O	5	
			N	N	N	N	N	N	N	N	N	N	N	N	N	N	
1	8607-018	Low Voltage Terminal Strip	X	X	X	X	X	X	X	X	X	X	X	X	X	X	
2	8607-013	Terminal Block	X	X								2	2	X			
2	8614-017	Fuse Block			X											X	
2	8614-018	Fuse Block				X											
2	8607-014	Terminal Block					X	X	X	X	X	X					
3	8407-034	Transformer	X	X	X	X	X	X	X	X	X	X	X	X	X	X	
4	8201-009	Blower Relay	X	X	X	X	X	X	X	X	X	X	X	X	X	X	
5	8401-002	Heat Contactor												2			
5	8401-006	Heat Contactor		X	2	2		X	2	2		2				2	
6	8611-006	Ground Terminal	X	X	X	X	X	X	X	X	X	X	X	X	X	X	
7	8401-007	Compressor Contactor	X	X	X	X									X	X	
7	8401-002	Compressor Contactor					X	X	X	X	X	X	X	X			
8	8552-028	Compressor Capacitor 35/440	X	X	X	X									X	X	
9	8552-005	Condenser Fan Capacitor 10/370	X	X	X	X	X	X	X	X	X	X	X	X	X	X	
	4010-110	Wiring Diagram	X														
	4010-130	Wiring Diagram		X													
	4010-140	Wiring Diagram			X												
	4010-150	Wiring Diagram				X											
	4010-210	Wiring Diagram					X										
	4010-220	Wiring Diagram						X									
	4010-230	Wiring Diagram							X								
	4010-240	Wiring Diagram								X							
	4010-411	Wiring Diagram													X		
	4010-441	Wiring Diagram														X	
	4010-510	Wiring Diagram									X						
	4010-530	Wiring Diagram										X					
	4010-610	Wiring Diagram											X				
	4010-630	Wiring Diagram												X			
	132-081	Control Panel Cover	X	X			X	X	X	X	X	X	X	X	X		
	133-054	Control Panel Cover			X	X										X	

Date: 7-11-89
Supersedes:

CONTROL PANEL WITH CIRCUIT BREAKER



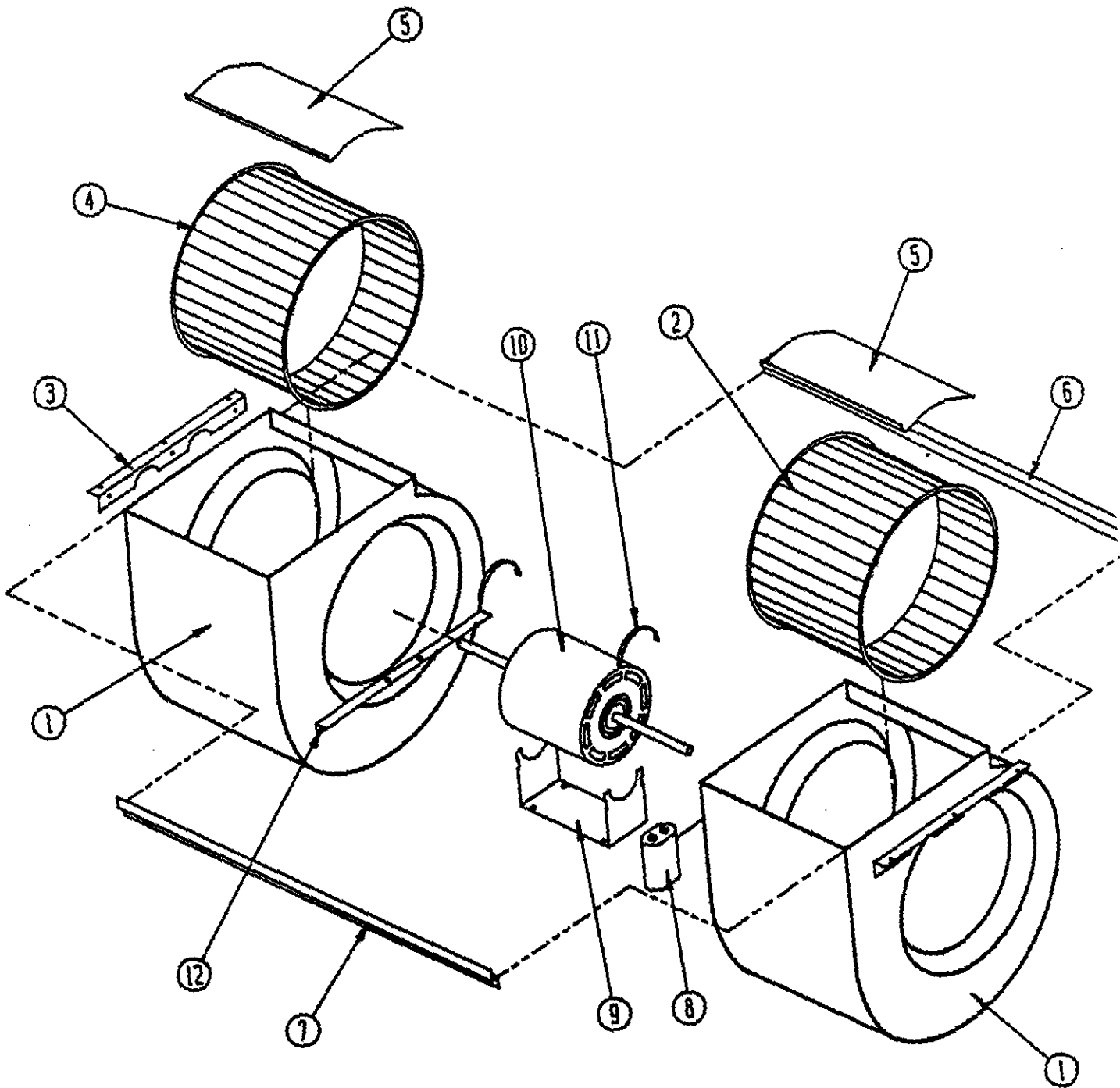
Date: 7-11-89
Supersedes:

CONTROL PANEL
WITH CIRCUIT BREAKER

Dwg. No.	Part No.	Description	4 2 W A A O O C	4 2 W A A O O C	4 2 W A A O O C	4 2 W A A O O C	4 2 W A B O O C	4 2 W A B O O C	4 2 W A B O O C	4 2 W A B O O C
1	8607-018	Low Voltage Terminal Strip	X	X	X	X	X	X	X	X
2	8615-015	Circuit Breaker 50A	X							
2	8615-016	Circuit Breaker 60A		X	X	2				
2	8615-013	Circuit Breaker 30A			X					
2	8615-019	Circuit Breaker 35A					X	X		
2	8615-011	Circuit Breaker 60A							X	X
3	8407-034	Transformer	X	X	X	X	X	X	X	X
4	8201-009	Blower Relay	X	X	X	X	X	X	X	X
5	8401-006	Heat Contactor		X	2	2		X	2	2
6	8611-006	Ground Terminal	X	X	2	2	X	X	X	X
7	8401-007	Compressor Contactor	X	X	X	X				
7	8401-002	Compressor Contactor					X	X	X	X
8	8552-028	Compressor Capacitor 35/440	X	X	X	X				
9	8552-005	Compressor Capacitor 10/370	X	X	X	X	X	X	X	X
	4010-111	Wiring Diagram	X							
	4010-131	Wiring Diagram		X						
	4010-141	Wiring Diagram			X					
	4010-151	Wiring Diagram				X				
	4010-211	Wiring Diagram					X			
	4010-221	Wiring Diagram						X		
	4010-231	Wiring Diagram							X	
	4010-241	Wiring Diagram								X
	132-094	Control Panel Cover	X	X	X	X	X	X	X	X

Date: 7-11-89
Supersedes:

BLOWER ASSEMBLY



Date: 7-11-89
Supersedes:

BLOWER ASSEMBLY



Dwg. No.	Part No.	Description	9 0 0 1 1 9	9 0 0 1 2 0	9 0 0 1 2 1
1	151-068	Blower Housing	2	2	2
2	5152-011	Blower Wheel 10-8, CW	x	x	
2	5152-057	Blower Wheel 9-8, CW			x
3	104-791	Blower Angle	2	2	2
4	5152-012	Blower Wheel 10-8, CCW	x	x	
4	5152-058	Blower Wheel 9-8, CCW			x
5	144-126	Diffuser	2	2	2
6	104-802	Back Brace	x	x	x
7	102-389	Front Offset	x	x	x
8	8552-005	Capacitor 10/370	x	x	x
9	128-002	Motor Mount--Cradle	x	x	x
10	8106-023	Motor	x		x
10	8106-025	Motor		x	
11	8200-018	Motor Mount Latch	2	2	2
12	104-788	Motor Support Angle	2	2	2

Date: 9-14-90
Supersedes: 7-11-89

