

REPLACEMENT PARTS MANUAL

WALL MOUNTED PACKAGE AIR CONDITIONER MODEL 30WA6

Manual 2110-403

Revision --

Date 7-11-89

Supersedes

* GENERAL NOTES *

*Revised and/or additional pages may be issued from time to time.
*A complete and current manual consists of pages dated as shown in the following index.

** INDEX **

<u>Page Description</u>	<u>Page</u>	<u>Date</u>	<u>Supersedes</u>
Cabinet Components--Exploded View	1	7-11-89	
" " --Usage List	2	7-11-89	
Functional Components--Exploded View	3	7-11-89	
" " --Usage List	4	7-11-89	
Control Panel W/O Circuit Breaker--Layout	5	7-11-89	
" " --Usage List	6	7-11-89	
Control Panel W/Circuit Breaker--Layout	7	7-11-89	
" " --Usage List	8	7-11-89	
Blower Assembly--Exploded View	9	7-11-89	
" " --Usage List	10	7-11-89	

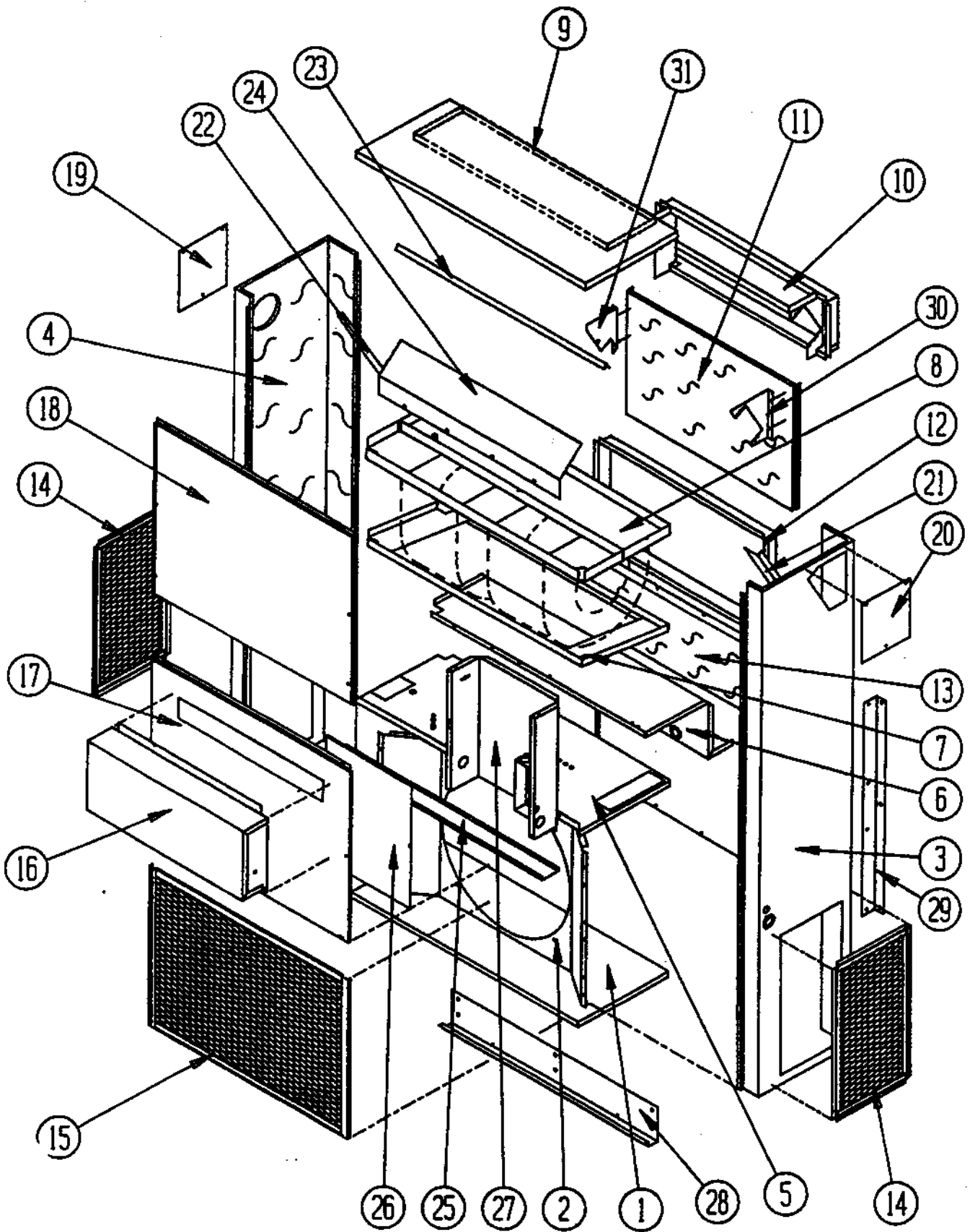
*** IMPORTANT ***

Contact the installing and/or local Bard distributor for all parts requirements. Make sure you have the complete model and serial number available from the unit rating plate.

BARD MANUFACTURING COMPANY

BRYAN, OHIO 43506

CABINET COMPONENTS



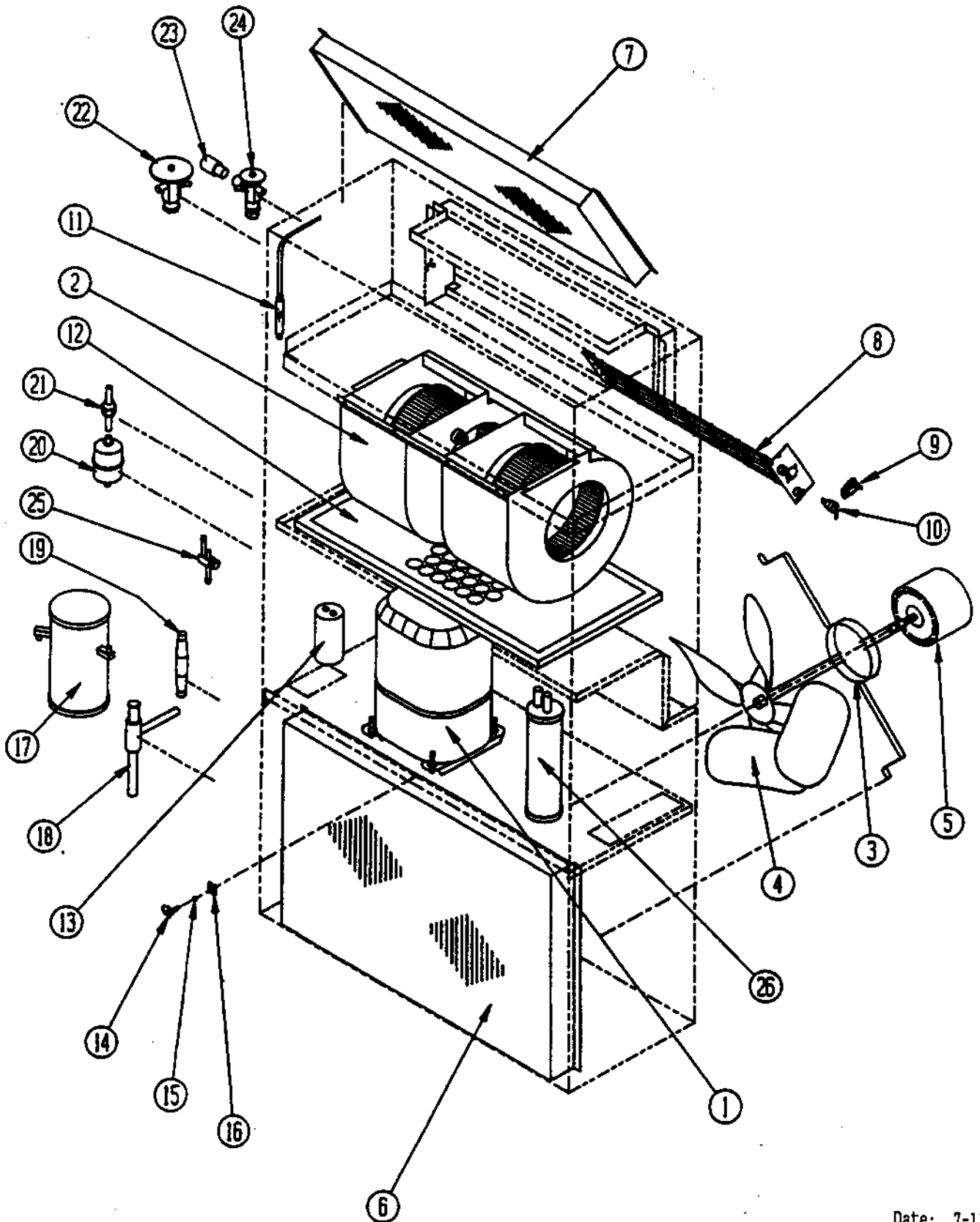
Date: 7-11-69
Supersedes:

CABINET COMPONENTS

Dwg. No.	Part No.	Description	S T A N D A R D	T O P O U T L E T
1	126-003	Lower Base	X	X
2	124-002	Fan Shroud	X	X
3	501-164	Right Side	X	X
4	501-165	Left Side	X	X
5	127-098	Compressor Base	X	X
6	520-097	Compressor Partition	X	X
7	131-002	Filter Tray	X	X
8	521-004	Blower Addition/Drain Pan Assembly	X	X
9	506-095	Top	X	
9	507-003	Top		X
10	111-017	Outlet Airframe Assembly	X	
11	508-056	Upper Back	X	
11	508-058	Extended Upper Back		X
12	111-018	Inlet Air Frame Assembly	X	X
13	508-057	Lower Back	X	X
14	119-004	Side Grille	2	2
15	119-003	Condenser Grille	X	X
16	FAD25	Fresh Air Damper Assembly	X	X
17	552-107	Service Door	X	X
18	514-046	Upper Front	X	X
19	542Y004	Left Side Cover Plate	X	X
20	542X004	Right Side Cover Plate	X	X
21	141-006	Right Evaporator Support	X	X
22	141-007	Left Evaporator Support	X	X
23	136-093	Evaporator Fill Plate	X	X
24	134-008	Air Baffle	X	X
25	136-002	Condenser Coil Spacer	X	X
26	Cntrl.Cvr.	See Control Panel Assembly Drawing and Parts List	X	X
27	Cntrl.Pnl. Assembly	See Control Panel Assembly Drawing and Parts List	X	X
28	112-006	Bottom Mounting Bracket	X	X
29	112-002	Side Mounting Bracket	2	2
30	112-007	Right Heat Strip Bracket		X
31	112-008	Left Heat Strip Bracket		X

Date: 7-11-89
Supersedes:

FUNCTIONAL COMPONENTS



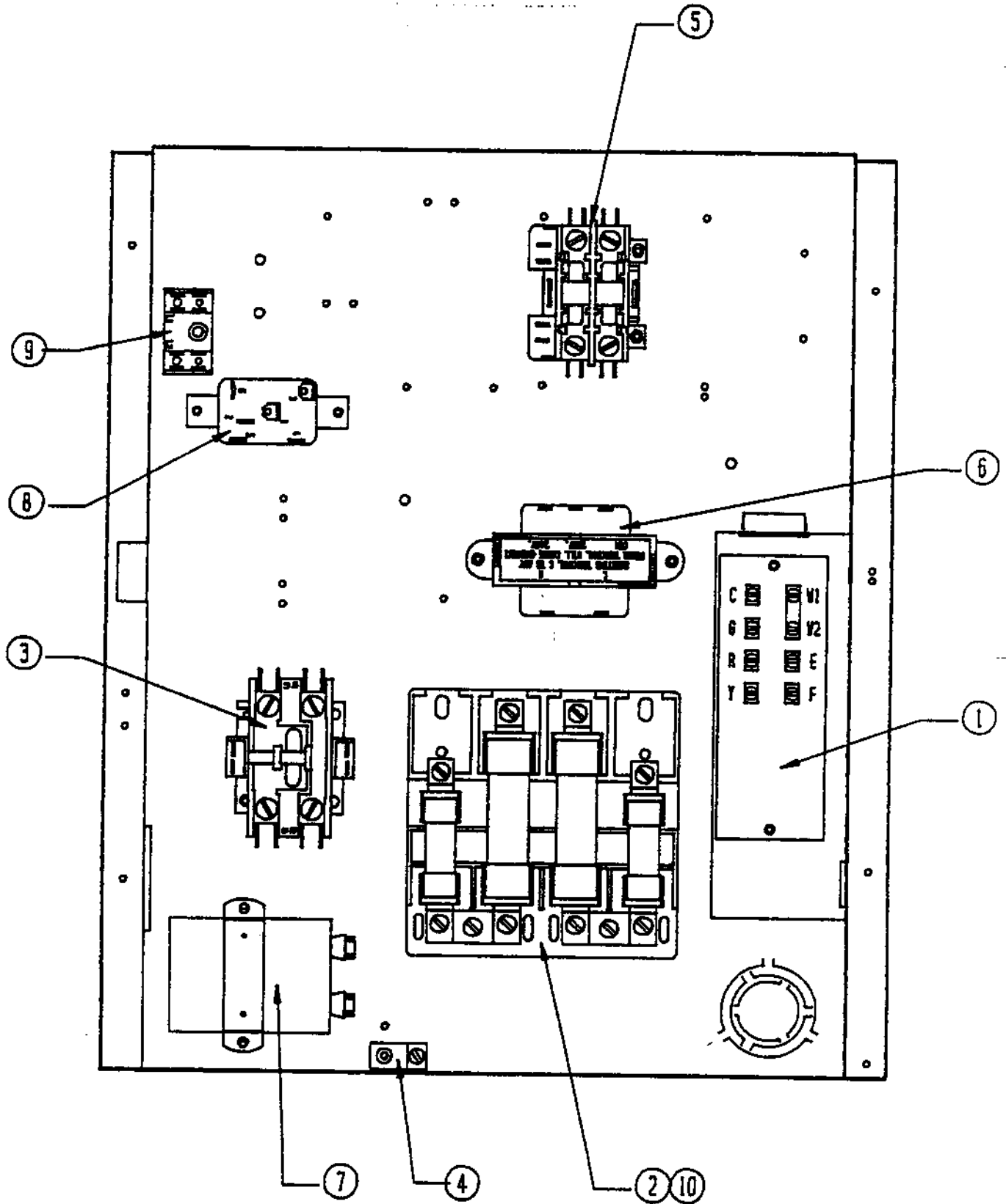
Date: 7-11-89
Supersedes:

FUNCTIONAL COMPONENTS

Dwg. No.	Part No.	Description	3 O W A 6 A O O N, C	3 O W A 6 A O 5 N, C	3 O W A 6 A O 8 N, C	3 O W A 6 A O 1 0 N, C	3 O W A 6 A O 1 5 N, C	3 O W A 6 B O 0 N, C	3 O W A 6 B O 0 9 N, C	3 O W A 6 A O 0 T	3 O W A 6 A O 5 T	3 O W A 6 A O 1 0 T	3 O W A 6 A O 1 5 T	3 O W A 6 B O 0 T	3 O W A 6 B O 0 9 T	3 O W A 6 D O 0 5 C	3 O W A 6 D O 1 0 N	
1	8000-038	Compressor															X	X
1	8000-099	Compressor H23B283ABCA	X	X	X	X			X	X	X	X						
1	8000-053	Compressor CRG3-0250-TF5						X	X						X	X		
2	900-039	Blower Assembly (Complete)	X	X	X	X	X	X	X	X	X	X	X	X	X	X	X	X
3	8200-001	Motor Mount (Condenser)	X	X	X	X	X	X	X	X	X	X	X	X	X	X	X	X
4	5151-032	Fan Blade	X	X	X	X	X	X	X	X	X	X	X	X	X	X	X	X
5	8103-016	Condenser Motor	X	X	X	X	X	X	X	X	X	X	X	X	X	X	X	X
6	5051-035	Condenser Coil	X	X	X	X	X	X	X	X	X	X	X	X	X	X	X	X
7	5060-037	Evaporator Coil	X	X	X	X	X	X	X	X	X	X	X	X	X	X	X	X
8	8604-089	Heat Strip		X						X							X	
8	8604-090	Heat Strip			X													
8	8604-091	Heat Strip				X						X						X
8	8604-047	Heat Strip					X						X					
8	8604-048	Heat Strip						X							X			
9	8402-031	Limit Control		X	X	X	X		X		X	X	X		X	X	X	X
10	8402-030	Thermal Cut-Off								X	2	3			2			
10	8402-032	Thermal Cut-Off		X	2	2	3		2								X	2
11	800-0072	Cooling Capillary Assembly	X	X	X	X	X	X	X	X	X	X	X	X	X	X	X	X
12	7004-008	Air Filter	X	X	X	X	X	X	X	X	X	X	X	X	X	X	X	X
13	8552-007	Capacitor 20/15-370															X	X
13	8552-032	Compressor Capacitor	X	X	X	X	X		X	X	X	X						
14	1171-019	1/4 Turn Fastener	X	X	X	X	X	X	X	X	X	X	X	X	X	X	X	X
15	1171-021	1/4 Turn Fastener Retainer	X	X	X	X	X	X	X	X	X	X	X	X	X	X	X	X
16	1171-020	1/4 Turn Fastener Receptacle	X	X	X	X	X	X	X	X	X	X	X	X	X	X	X	X

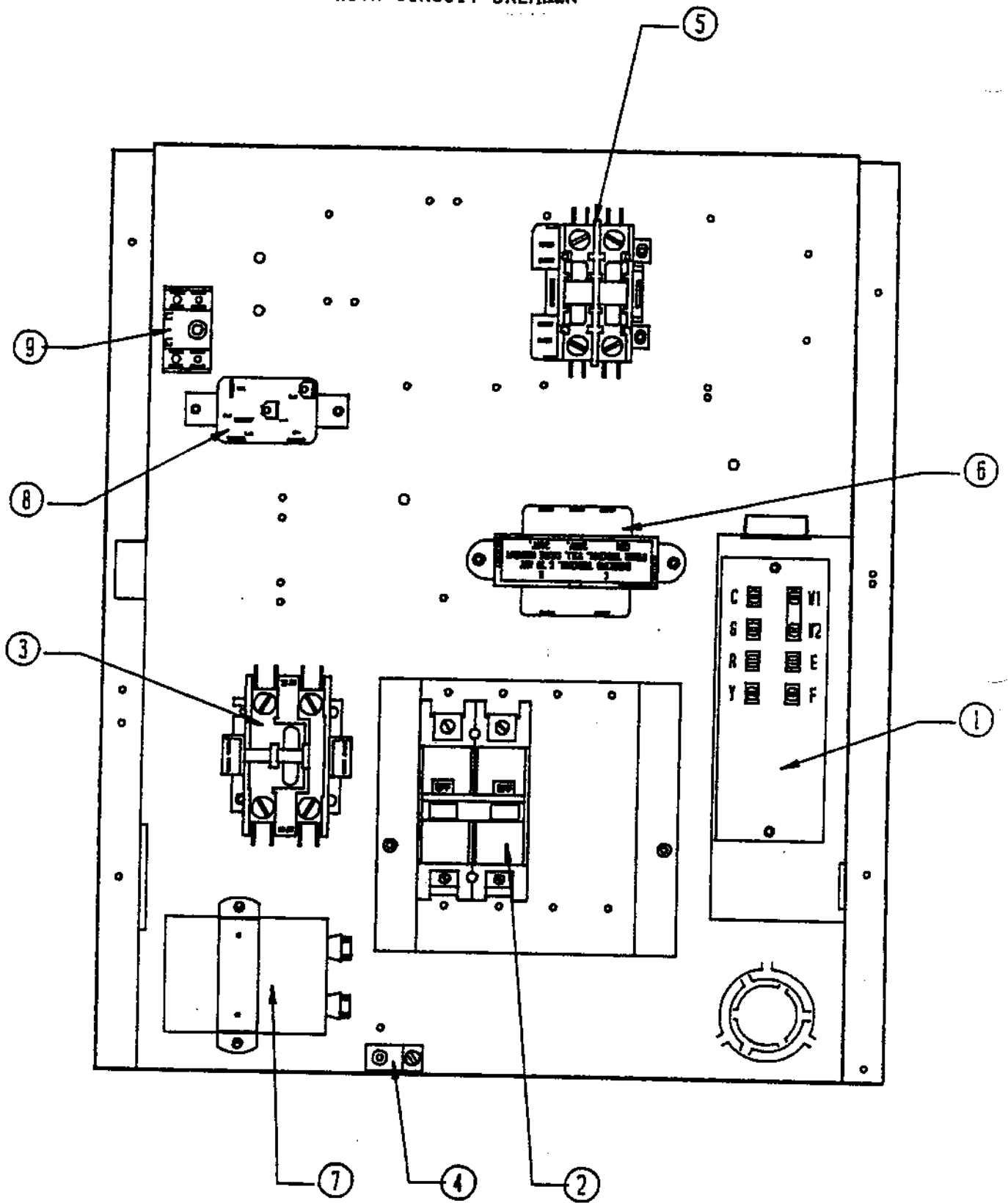
Date: 7-11-89
Supersedes:

CONTROL PANEL
WITHOUT CIRCUIT BREAKERS



Date: 7-11-89
Supersedes:

CONTROL PANEL
WITH CIRCUIT BREAKER



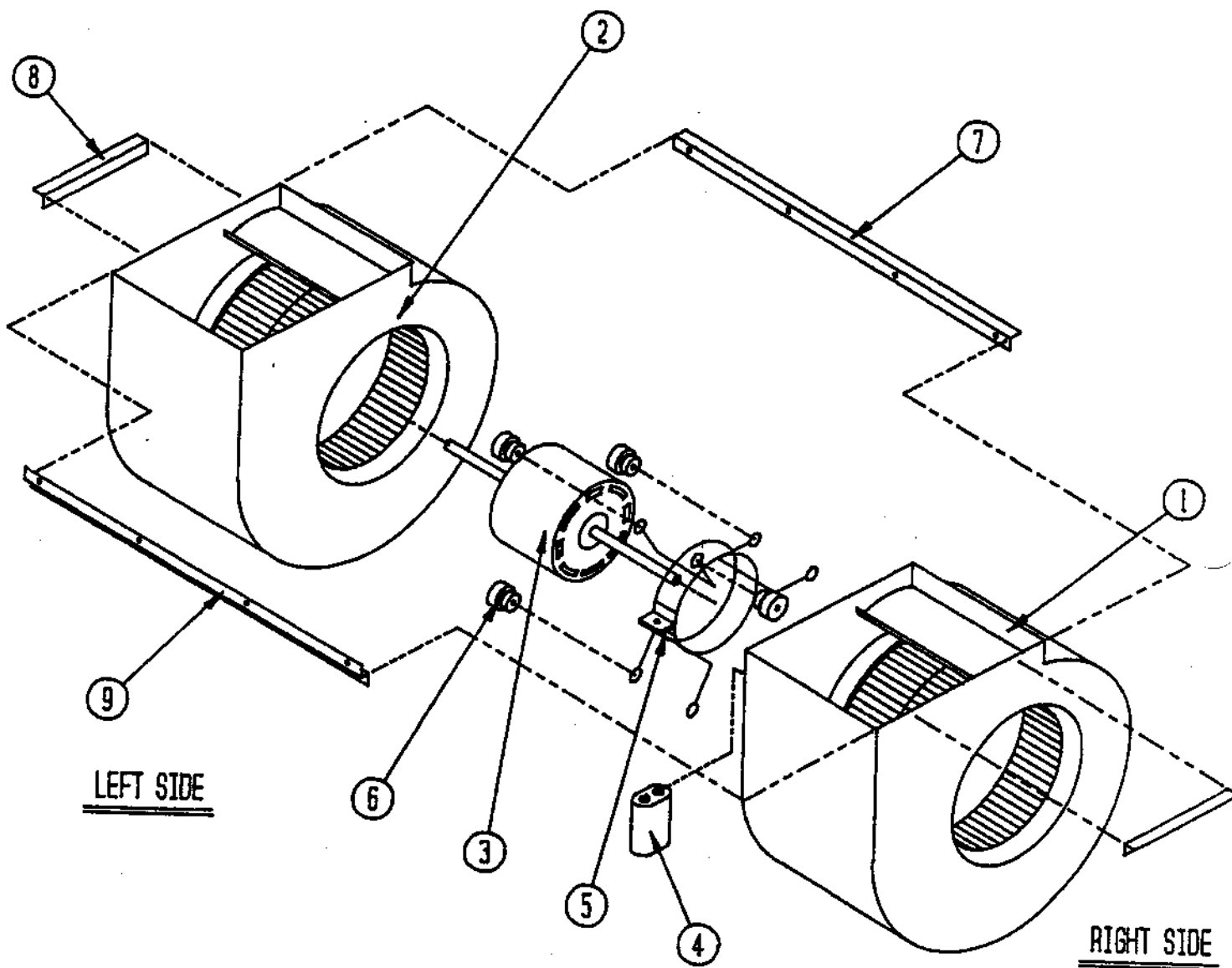
Date: 7-11-89
Supersedes:

**CONTROL PANEL
WITH CIRCUIT BREAKER**

Dwg. No.	Part No.	Description	30WA6-100C	30WA6-105C	30WA6-108C	30WA6-110C	30WA6-115C	30WA6-120C	30WA6-125C	30WA6-130C
1	8607-018	Low Voltage Terminal Strip	X	X	X	X	X	X	X	X
2	8615-009	Circuit Breaker	X	X						X
2	8615-010	Circuit Breaker			X					
2	8615-016	Circuit Breaker				X	X			
2	8615-018	Circuit Breaker						X	X	
2	8615-013	Circuit Breaker					X			
3	8401-007	Compressor Contactor	X	X	X	X	X			X
3	8401-002	Compressor Contactor						X	X	
4	8611-006	Ground Terminal	X	X	X	X	2	X	X	X
5	8401-006	Heat Contactor	X	X	X	X	2	X	X	X
6	8407-034	Transformer	X	X	X	X	X	X	X	X
7	8552-002	Condenser Motor Capacitor	X	X	X	X	X	X	X	X
8	8201-009	Blower Relay	X	X	X	X	X	X	X	X
	4008-112	Wiring Diagram	X							
	4008-122	Wiring Diagram		X						
	4008-132	Wiring Diagram			X	X				
	4008-141	Wiring Diagram					X			
	4008-211	Wiring Diagram						X		
	4008-221	Wiring Diagram							X	
	4008-421	Wiring Diagram								X
	132-098	Control Panel Cover	X	X	X	X	X	X	X	X

Date: 7-11-89
Supersedes:

BLOWER ASSEMBLY



Date: 7-11-89
Supersedes:

BLOWER ASSEMBLY

Dwg. No.	Part No.	Description	9 0 0 0 3 9	9 0 0 0 7 0
1	5152-051	Housing, Wheel and Cutoff (CW)	X	X
2	5152-052	Housing, Wheel and Cutoff	X	X
3	8105-029	Blower Motor (230/208)	X	
3	8105-033	Blower Motor (460)		X
4	8552-002	Capacitor	X	X
5	8200-031	Motor Mount	X	X
6	5451-011	Grommets	6	6
7	104-505	Back Brace	X	X
8	104-001	Side Angle	2	2
9	102-300	Front Brace	X	X

Date: 7-11-89
Supersedes: