

# REPLACEMENT PARTS MANUAL

## WALL MOUNTED PACKAGE AIR CONDITIONER MODEL 20WA4

Manual 2110-401

Revision B

Date 6-20-90

Supersedes 1-25-90

\*\*\*\*\*

\* GENERAL NOTES \*

\*\*\*\*\*

\*Revised and/or additional pages may be issued from time to time.  
\*A complete and current manual consists of pages dated as shown in the following index.

\*\*\*\*\*

\*\* INDEX \*\*

\*\*\*\*\*

<u>Page Description</u>	<u>Page</u>	<u>Date</u>	<u>Supersedes</u>
Cabinet Components--Exploded View	1	7-11-89	
" " --Usage List	2	1-25-90	7-11-89
Functional Components--Exploded View	3	7-11-89	
" " --Usage List	4	6-20-90	7-11-89
Control Panel--Layout View	5	7-11-89	
" " --Usage List	6	6-20-90	7-11-89
Blower Assembly--Exploded View	7	7-11-89	
" " --Usage List	8	7-11-89	

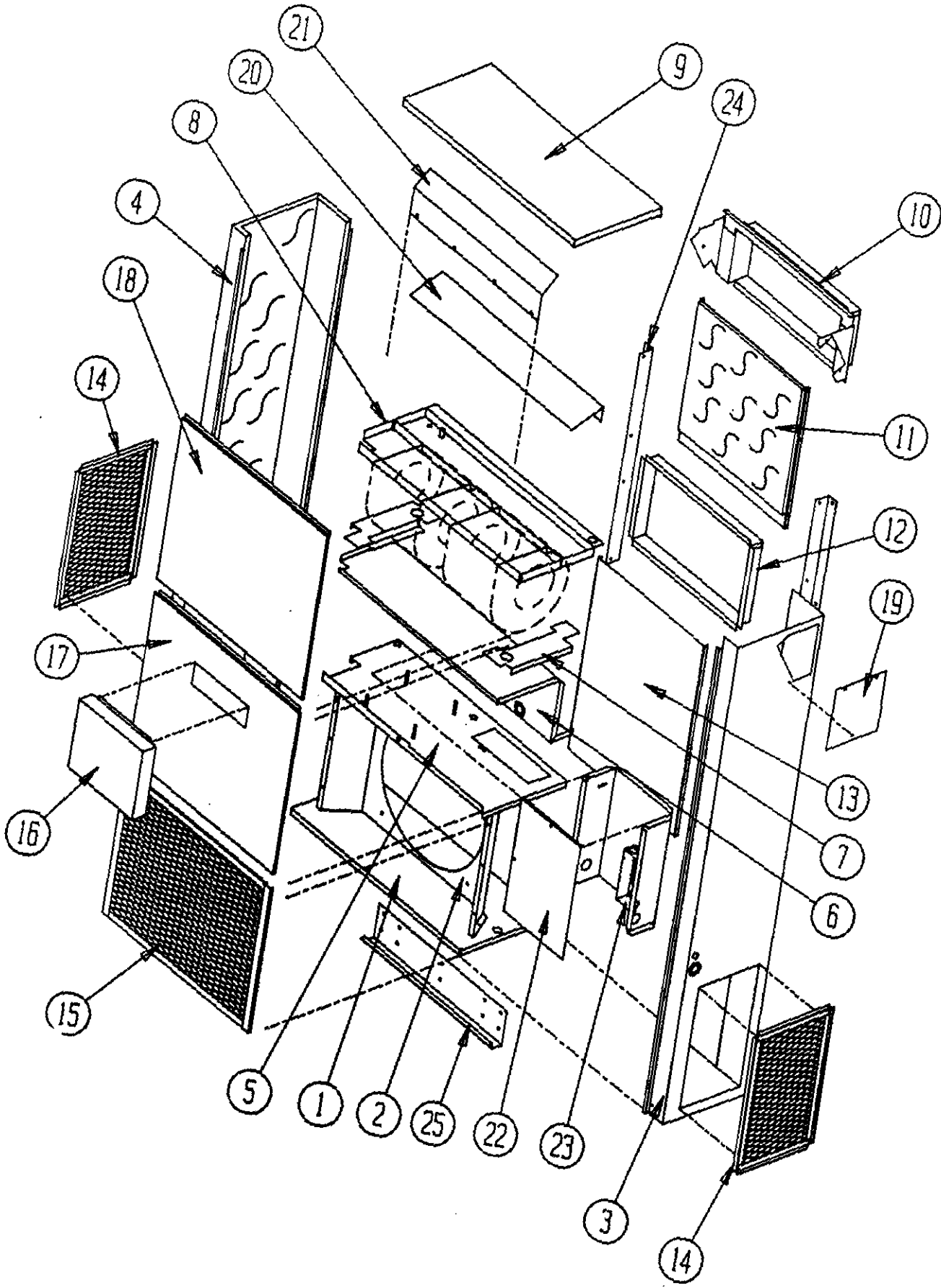
\*\*\*\*\*

\*\*\* IMPORTANT \*\*\*

\*\*\*\*\*

Contact the installing and/or local Bard distributor for all parts requirements. Make sure you have the complete model and serial number available from the unit rating plate.

CABINET COMPONENTS



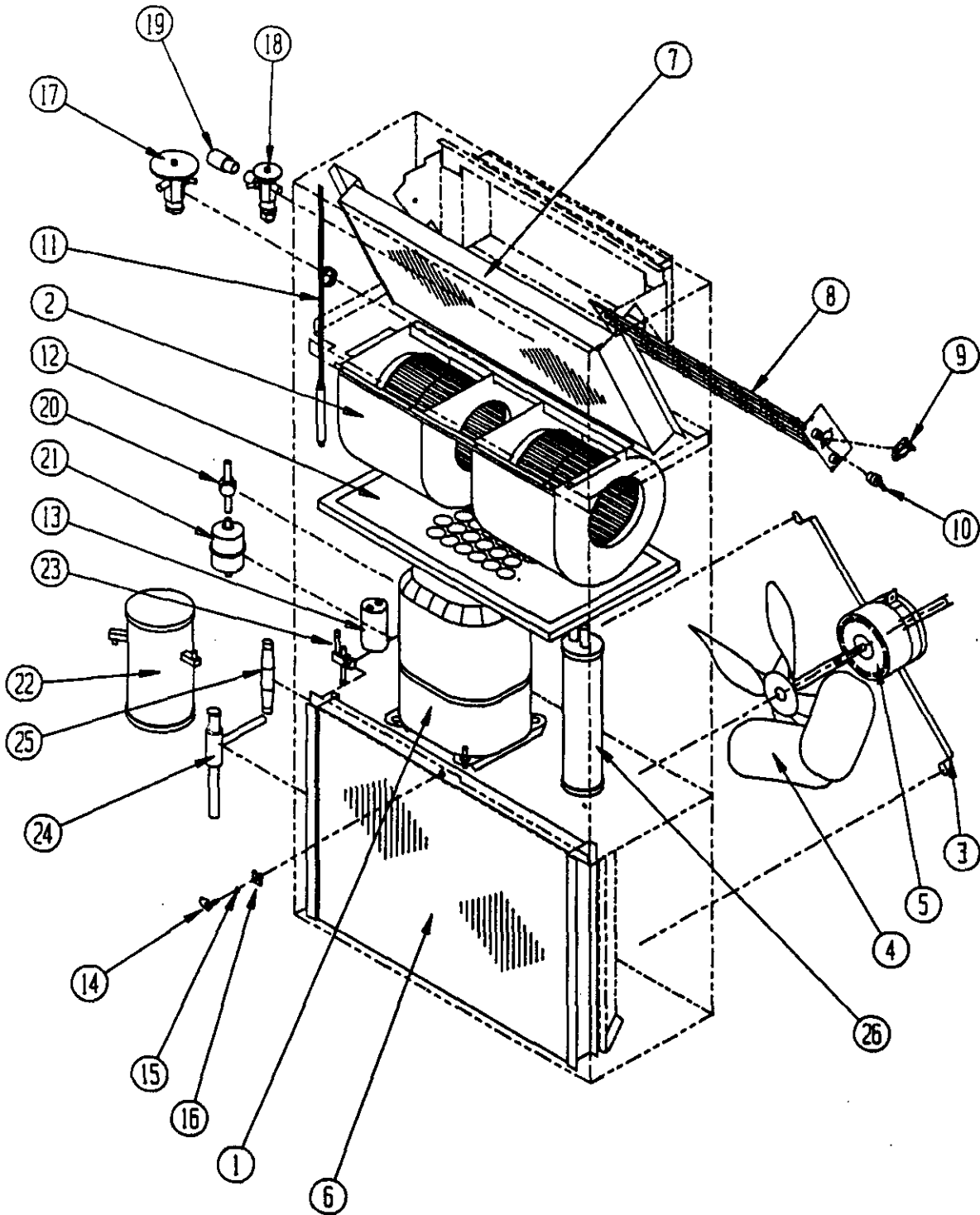
Date: 7-11-89  
Supersedes:

CABINET COMPONENTS

Item No.	Part No.	Description	U S A G E
1	126-001	Lower Base	X
2	124-001	Fan Shroud	X
3	501-162	Right Side Assembly	X
4	501-163	Left Side Assembly	X
5	127-103	Compressor Base	X
6	520-096	Compressor Partition	X
7	130-001	Filter Support	X
8	121-089	Water Pan Assembly	X
9	506-094	Top	X
10	111-015	Supply Air Frame	X
11	508-054	Upper Back	X
12	111-016	Inlet Air Frame	X
13	108-055	Lower Back	X
14	119-002	Side Condenser Grille	X
15	119-001	Front Condenser Grille	X
16	962001	Fresh Air Damper	X
17	552-106	Service Door	X
18	514-045	Upper Front	X
19	542-001	Side Cover Plate	X
20	136-112	Evaporator Bottom Support Fill	X
21	134-004	Air Baffle	X
22	Control Panel Cvr	See Control Panel Assembly Drawing and Parts List	X
23	Control Panel Asy	See Control Panel Assembly Drawing and Parts List	X
24	112-002	Side Mounting Bracket	X
25	112-001	Bottom Support Bracket	X

Date: 1-25-90  
Supersedes: 7-11-89

# FUNCTIONAL COMPONENTS



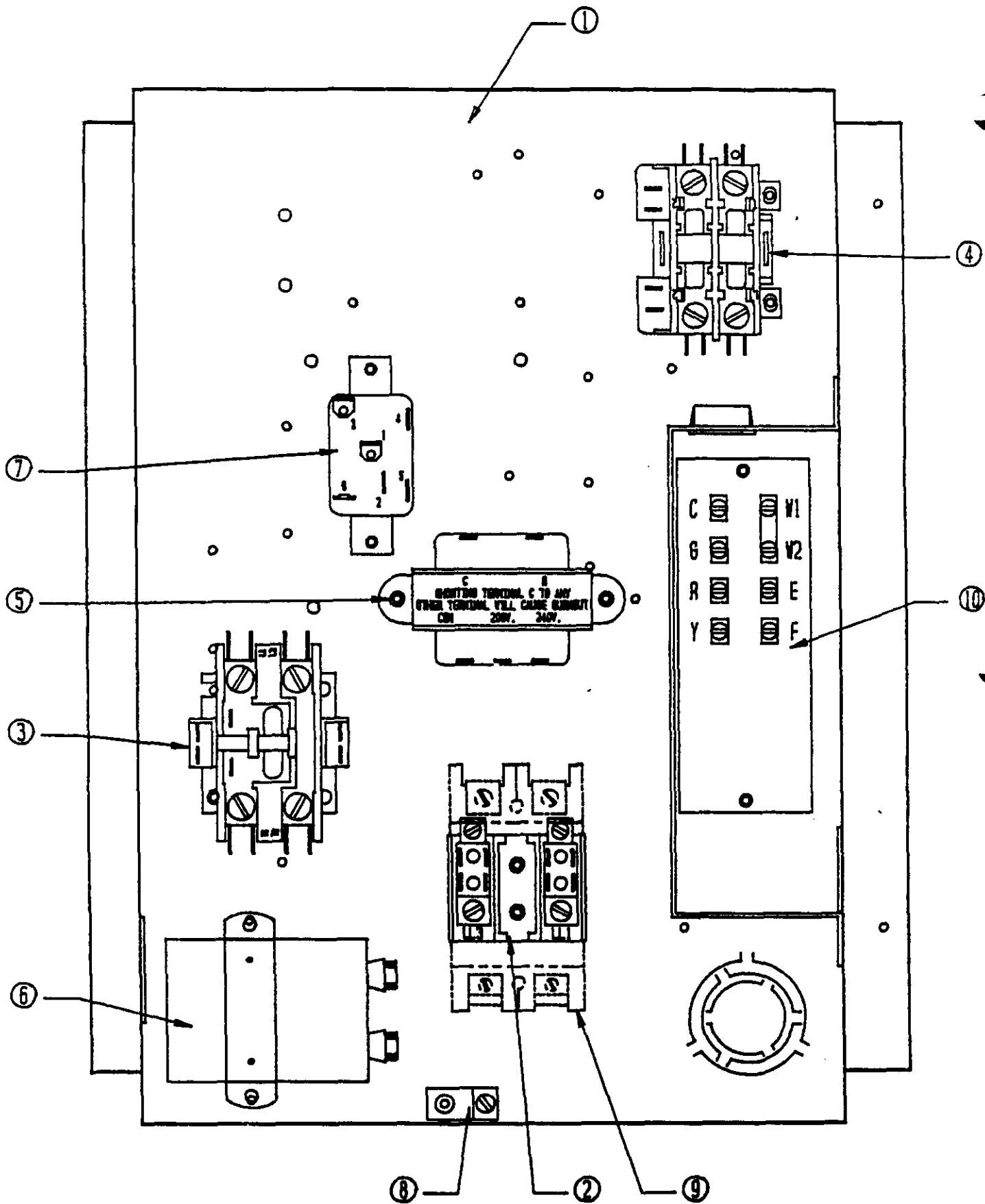
Date: 7-11-89  
Supersedes:

FUNCTIONAL COMPONENTS

Dwg. No.	Part No.	Description	2 O W A 4   A O O N	2 O W A 4   A O 5 N	2 O W A 4   A O 8 N	2 O W A 4   A O 1 O N	2 O W A 4   A O O C	2 O W A 4   A O 5 C	2 O W A 4   A O 8 C	2 O W A 4   A O 1 C
1	8000-102	Compressor R23B173ABCA	X	X	X	X	X	X	X	X
2	900-038	Blower Assembly (Complete)	X	X	X	X	X	X	X	X
3	8200-023	Fan Motor Mount	X	X	X	X	X	X	X	X
4	5151-033	Fan Blade F10H8.7	X	X	X	X	X	X	X	X
5	8103-016	Condenser Motor	X	X	X	X	X	X	X	X
6	5051-036	Condenser Coil	X	X	X	X	X	X	X	X
7	5060-048	Evaporator Coil	X	X	X	X	X	X	X	X
8	8604-089	Heat Strip 5KW		X				X		
8	8604-090	Heat Strip 8KW			X				X	
8	8604-091	Heat Strip 10KW				X				X
9	8402-048	Limit Switch 160 Degree		X	X	X		X	X	X
10	8402-030	Thermal Cutoff		1	2	2		1	2	2
11	800-0084	Capillary Assembly	X	X	X	X	X	X	X	X
12	7004-006	Filter 14x25	X	X	X	X	X	X	X	X
13	8552-027	Capacitor 25/370	X	X	X	X	X	X	X	X
14	1171-019	1/4 Turn Fastener	X	X	X	X	X	X	X	X
15	1171-021	Retainer Clip	X	X	X	X	X	X	X	X
16	1171-020	Fastener Receptacle	X	X	X	X	X	X	X	X

Date: 6-20-90  
Supersedes: 7-11-89

CONTROL PANEL



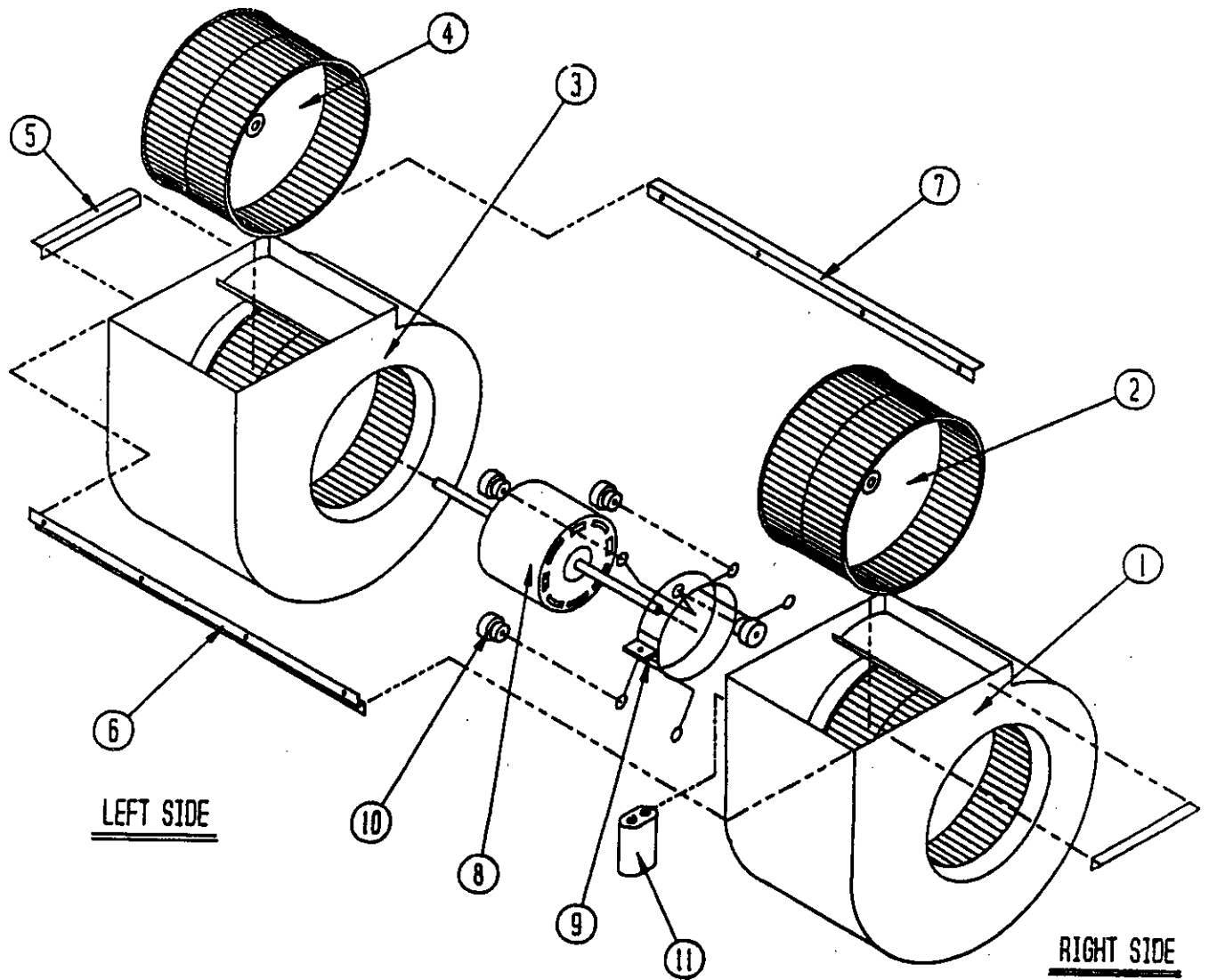
Date: 7-11-89  
Supersedes:

CONTROL PANEL

Dwg. No.	Part No.	Description	2004100N	2004105N	2004108N	2004110N	2004100C	2004105C	2004108C	2004110C
	4007-110	Wiring Diagram	X							
	4007-120	Wiring Diagram		X						
	4007-130	Wiring Diagram			X	X				
	4007-111	Wiring Diagram					X			
	4007-121	Wiring Diagram						X		
	4007-131	Wiring Diagram							X	X
1	902-0249	Complete Control Panel Assembly	X							
1	902-0252	Complete Control Panel Assembly		X						
1	902-0256	Complete Control Panel Assembly			X	X				
1	902-0251	Complete Control Panel Assembly					X			
1	902-0254	Complete Control Panel Assembly						X		
1	902-0257	Complete Control Panel Assembly							X	
1	902-0258	Complete Control Panel Assembly								X
2	8607-013	Terminal Block 230V		X	X	X				
3	8401-007	Contacto--Comp. 25A	X	X	X	X	X	X	X	X
4	8401-006	Contacto--Heater 2P18		1	1	1		1	1	1
5	8407-034	Transformer 40VA	X	X	X	X	X	X	X	X
6	8552-002	Capacitor 5/370V	X	X	X	X	X	X	X	X
7	8201-009	Relay--Blower	X	X	X	X	X	X	X	X
8	8611-006	Ground Lug	X	X	X	X	X	X	X	X
9	8615-010	Circuit Breaker							X	
9	8615-012	Circuit Breaker					X			
9	8615-013	Circuit Breaker						X		
9	8615-016	Circuit Breaker								X
10	8607-018	Terminal Board 24V	X	X	X	X	X	X	X	X
	132-001	Control Panel Cover	X	X	X	X				
	132-068	Control Panel Cover					X	X	X	X

Date: 6-20-90  
Supersedes: 7-11-89

BLOWER ASSEMBLY



Date: 7-11-89  
Supersedes:



BLOWER ASSEMBLY

Dwg. No.	Part No.	Description	900-038
1	5152-051	Blower Housing And Wheel Assenbly	X
2	5152-028	Blower Wheel	X
3	5152-052	Blower Housing And Wheel Assenbly	X
4	5152-029	Blower Wheel	X
5	104-001	Angle	X
6	102-300	Offset	X
7	104-505	Angle Back Brace	X
8	8102-009	Blower Motor	X
9	8200-031	Blower Motor Mount	X
10	5451-011	Grommet	X
11	8552-004	Capacitor 7.5/370V	X

Date: 7-11-89  
Supersedes:

