

REPLACEMENT PARTS MANUAL

PACKAGED AIR CONDITIONER AND HEAT PUMP ECONOMIZERS MODEL ECON-P-35A

Manual 2110-351

Revision --

Date 8-11-89

Supersedes

* GENERAL NOTES *

*Revised and/or additional pages may be issued from time to time.
*A complete and current manual consists of pages dated as shown in the following index.

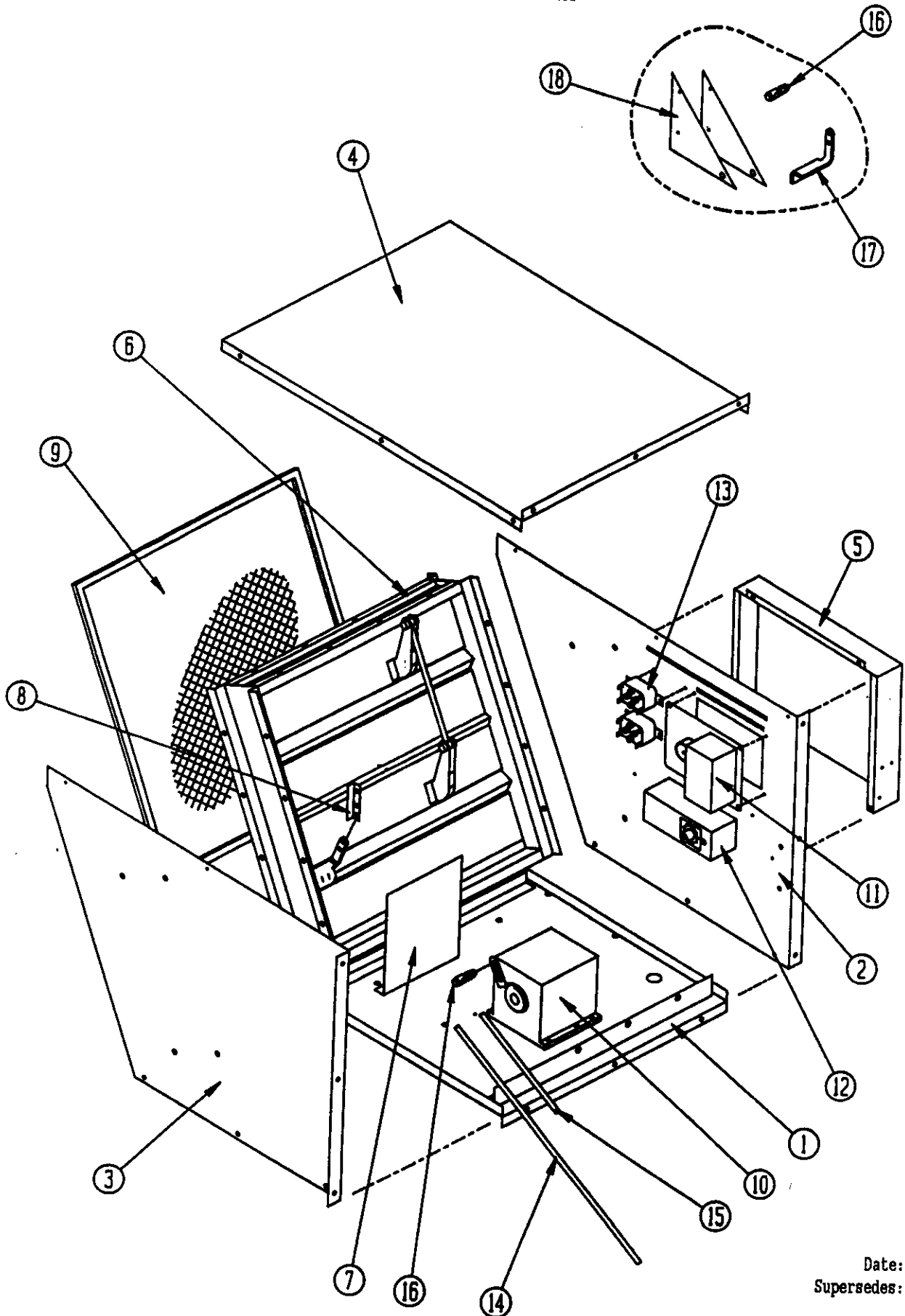
** INDEX **

| <u>Page Description</u> | <u>Page</u> | <u>Date</u> | <u>Supersedes</u> |
|-------------------------------|-------------|-------------|-------------------|
| Functional Components--Layout | 1 | 8-11-89 | |
| " " --Usage List | 2 | 8-11-89 | |

*** IMPORTANT ***

Contact the installing and/or local Bard distributor for all parts requirements. Make sure you have the complete model and serial number available from the unit rating plate.

FUNCTIONAL COMPONENTS



Date: 8-11-89
Supersedes:

FUNCTIONAL COMPONENTS

| Dwg. No. | Part No. | Description | U S A G E |
|--|---------------|---------------------|-----------------------|
| 1 | 127-115 | Base | X |
| 2 | 100-142 | Left Side | X |
| 3 | 100-041 | Right Side | X |
| 4 | 107-027 | Top | X |
| 5 | 138-001 | Fresh Air Cover | X |
| 6 | 8602-005 | Damper | X |
| 7 | 134-088 | Motor Shield | X |
| 8 | 112-025 | Drive Ear Bracket | X |
| 9 | 7002-004 | Lint Screen | X |
| 10 | 8602-020 | Motor | X |
| 11 | 8602-002 | Enthalpy Control | X |
| 12 | 8602-021 | Temp Controller | X |
| 13 | 8201-015 | Control Relay | 2 |
| 14 | 8602-009 | 18" Push Rod | X |
| 15 | 8602-009-0708 | 7-1/2" Push Rod | X |
| 16 | 8602-008 | Ball Joint | 3 |
| THE FOLLOWING PARTS CONTAINED IN THE PARTS PACKAGE | | | |
| 16 | 8602-008 | Ball Joint | X |
| 17 | 8602-006 | Left Hand Drive Ear | X |
| 18 | 140-057 | Damper Supports | 2 |
| | 4056-110 | Wiring Diagram | X |

Date: 8-11-89
Supersedes: