

REPLACEMENT PARTS MANUAL

PACKAGED AIR CONDITIONER AND HEAT PUMP ECONOMIZERS MODEL ECON-P-35A

Manual 2110-351

Revision A

Date 1-25-90

Supersedes 8-11-89

* GENERAL NOTES *

*Revised and/or additional pages may be issued from time to time.
*A complete and current manual consists of pages dated as shown in the following index.

** INDEX **

<u>Page Description</u>	<u>Page</u>	<u>Date</u>	<u>Supersedes</u>
Functional Components--Layout	1	8-11-89	
" " --Usage List	2	1-25-90	8-11-89

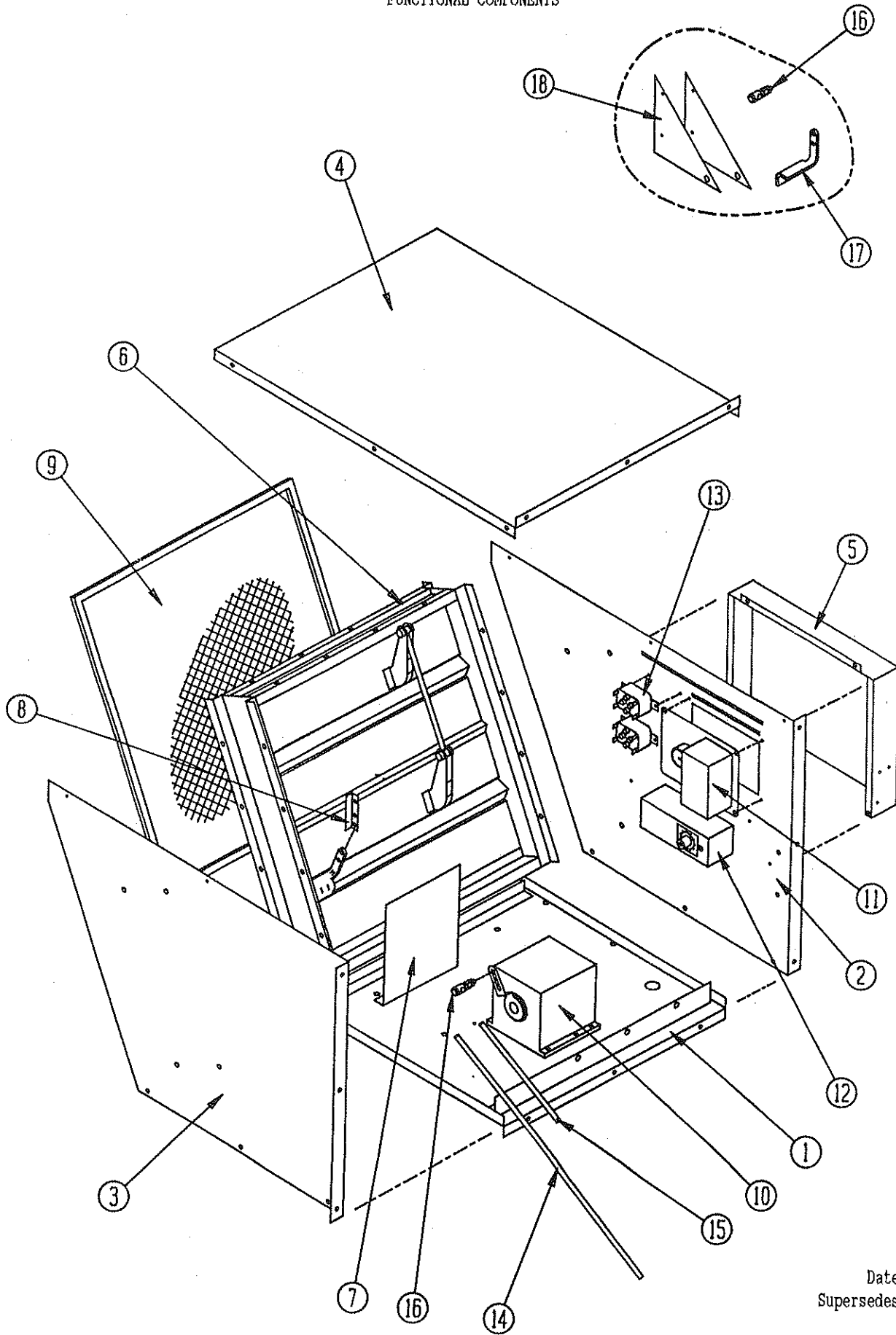
*** IMPORTANT ***

Contact the installing and/or local Bard distributor for all parts requirements. Make sure you have the complete model and serial number available from the unit rating plate.

BARD MANUFACTURING COMPANY

BRYAN, OHIO 43506

FUNCTIONAL COMPONENTS



Date: 8-11-89
Supersedes:

FUNCTIONAL COMPONENTS

Dwg. No.	Part No.	Description	U S A G E
1	127-115	Base	X
2	100-042	Left Side	X
3	100-041	Right Side	X
4	107-027	Top	X
5	138-001	Fresh Air Cover	X
6	8602-005	Damper	X
7	134-088	Motor Shield	X
8	112-025	Drive Ear Bracket	X
9	7002-004	Lint Screen	X
10	8602-020	Motor	X
11	8602-002	Enthalpy Control	X
12	8602-021	Temp Controller	X
13	8201-015	Control Relay	2
14	8602-009	18" Push Rod	X
15	8602-009-0708	7-1/2" Push Rod	X
16	8602-008	Ball Joint	3
THE FOLLOWING PARTS CONTAINED IN THE PARTS PACKAGE			
16	8602-008	Ball Joint	X
17	8602-006	Left Hand Drive Ear	X
18	140-057	Damper Supports	2
	4056-110	Wiring Diagram	X

Date: 1-25-90
Supersedes: 8-11-89