
Replacement Parts Manual

Package Heat Pumps

Models:
PH1242
PH1248
PH1248-B

General Notes

- Revised and/or additional pages may be issued from time to time.
- A complete and current manual consists of pages shown in the following contents section.

Important

- Contact the installing and/or local Bard distributor for all parts requirements. Make sure you have the complete model and serial

Contents

Description	Page
Cabinet Components	
♦ Exploded View	1
♦ Usage List	2
Functional Components	
♦ Exploded View	3
♦ Usage Lists	4
Control Panel Layout	
♦ Exploded View	5
♦ Usage Lists	6

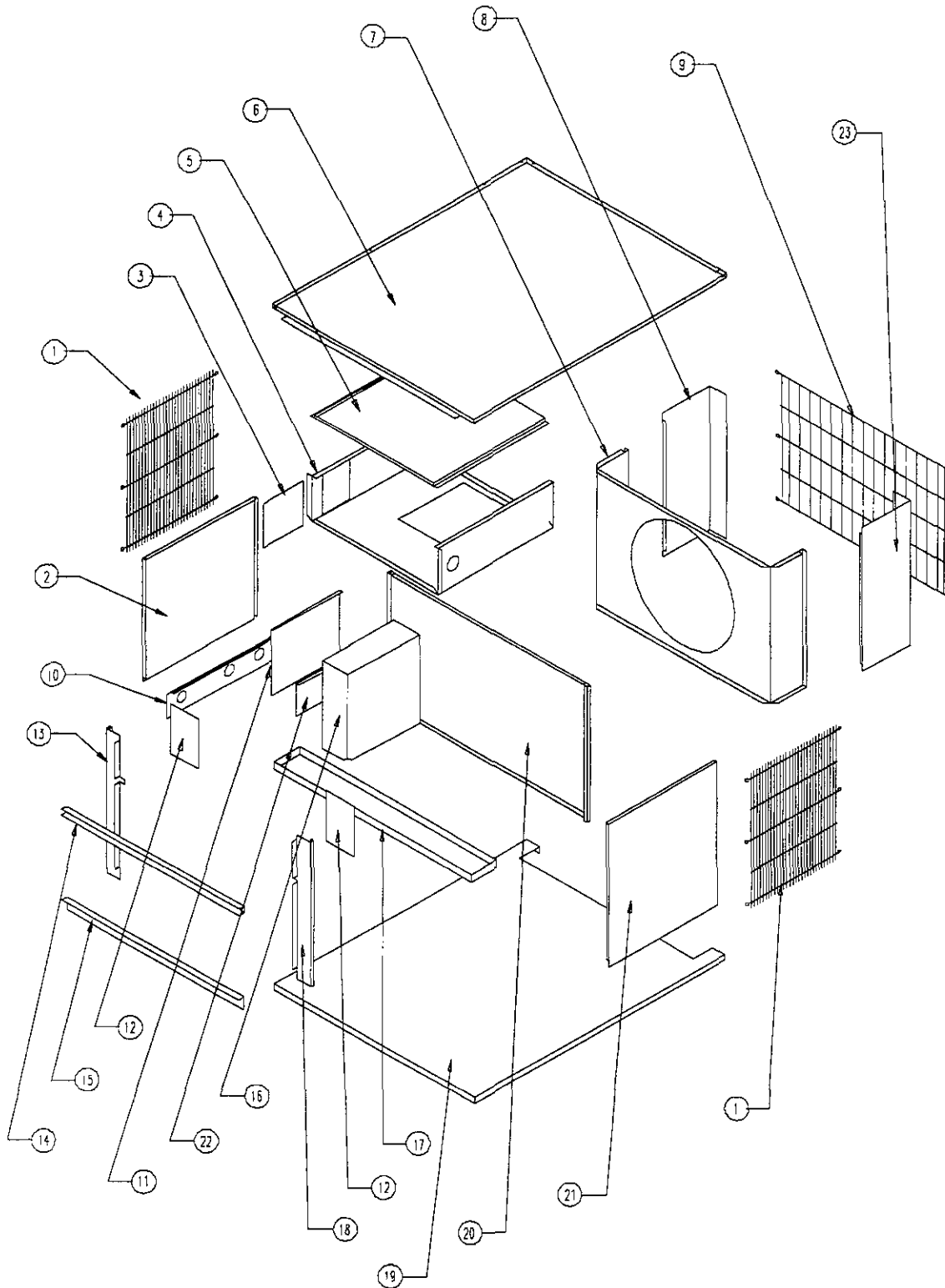


BARD MANUFACTURING COMPANY
Bryan, Ohio 43506

Since 1914...Moving ahead, just as planned.

Manual: 2110-261
Supersedes:
File: Tab 11
Date: 07-19-99

CABINETS COMPONENTS

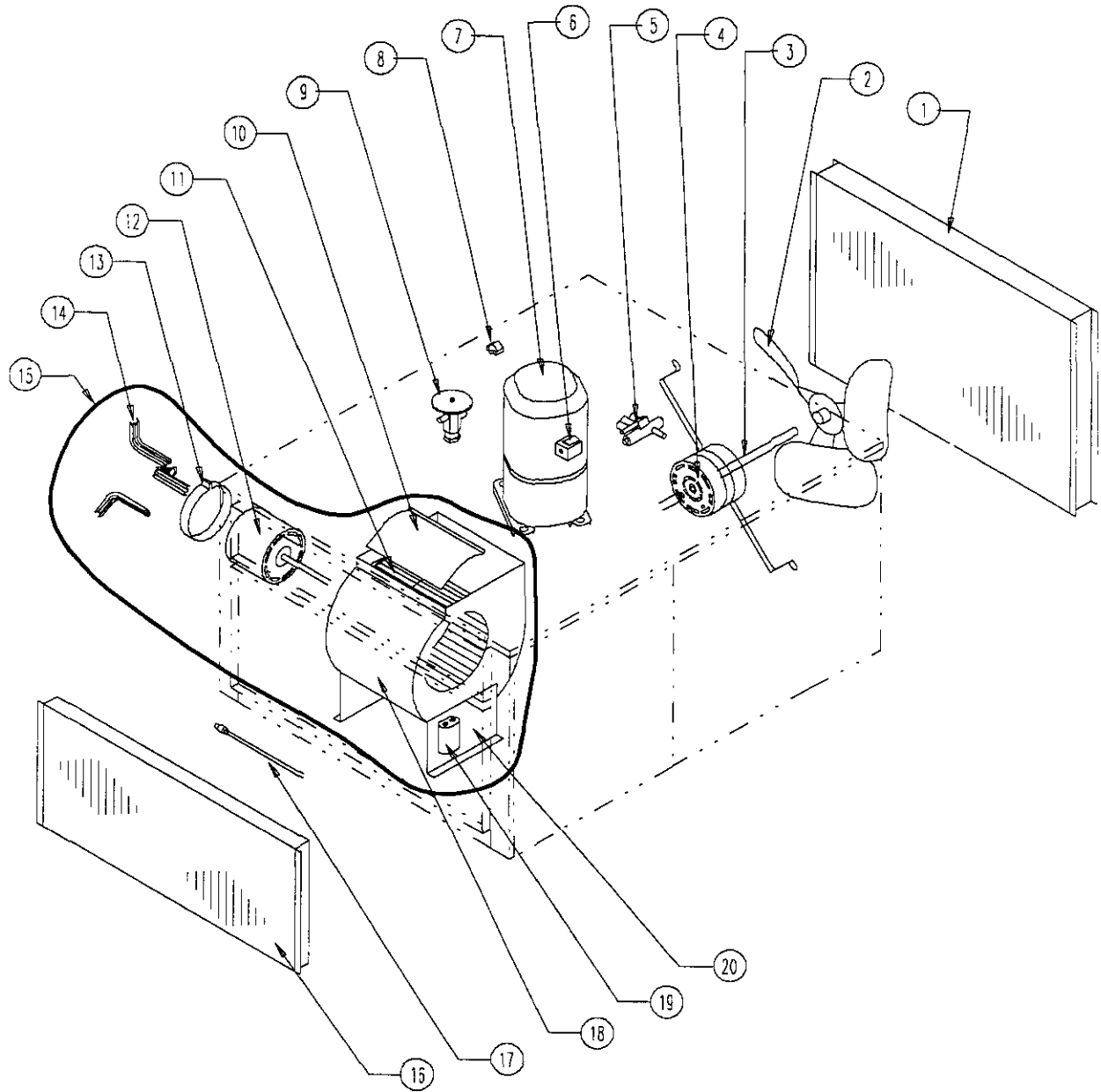


SEXP-204

CABINET COMPONENTS

Drawing No	Part No.	Description	U S A G E
1	7051-007	Inlet Grille	2
2	501-272-X	Left Side	X
3	142-045	Cover Plate - OKW	X
4	520-240	Blower Partion	X
5	134-134	Heat Strip Shield	X
6	507-146-X	Top	X
7	125-027-X	Fan Shroud	X
8	149-079-X	Left Rear Corner	X
9	7051-005	Condenser Grille	X
10	557-026-X	Entrance Panel	X
11	133-035-X	Control Panel Cover	X
12	136-246	Blower Fill Plates	2
13	549-077-X	Left Front Cover	X
14	165-502-X	Plenum Channel	X
15	105-525-X	Plenum Angle	X
16	Control Panel Assembly	See Control Panel Drawing and Parts List	
17	123-084-X	Drain Pan	X
18	549-076-X	Right Front Cover	X
19	527-221	Base	X
20	521-239-X	Compressor Partion	X
21	501-271-X	Right Side	X
22	142-044	Entrance Cover	X
23	149-078-X	Right Rear Corner	X

FUNCTIONAL COMPONENTS



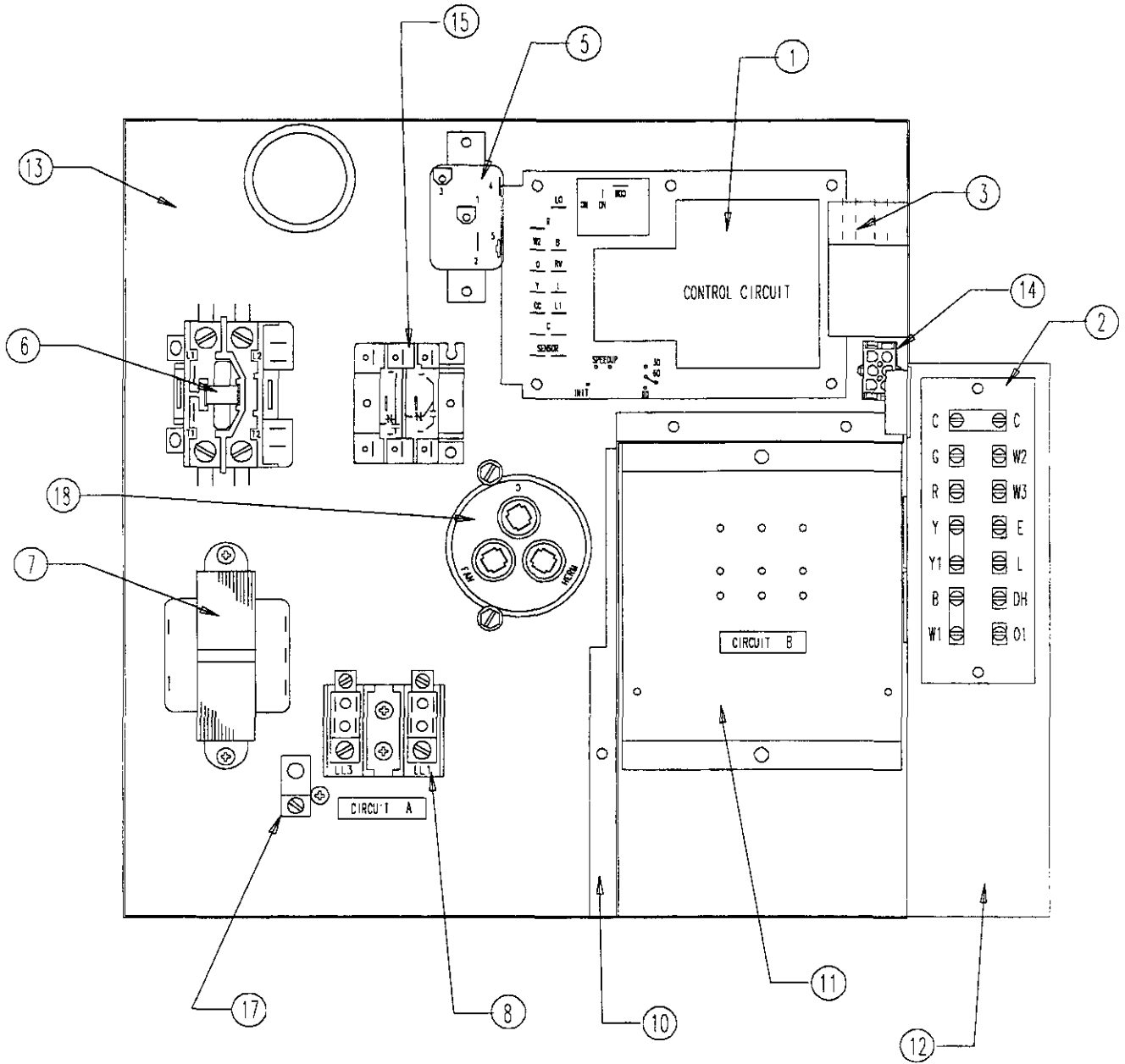
SEXP-201

FUNCTIONAL COMPONENTS

Drawing			PH1242	PH1248	PH1248-B
No	Part No.	Description			
1	5051-109	Condenser Coil	X	X	X
2	5151-027	Fan Blade	X	X	X
3	8200-004	Motor Mount	X	X	X
4	8105-039	Motor	X	X	X
5	5650-025	Reversing Valve	X	X	X
6	5650-022	Solenoid Coil	X	X	X
7	8000-149	Compressor		X	
7	8000-156	Compressor			X
7	8000-176	Compressor	X		
8	8408-027	Defrost Sensor	X	X	X
9	5651-102	Expansion Valve	X	X	X
10	144-130	Diffuser	X	X	X
11	5152-049	Blower Wheel	X	X	X
12	8107-009-0019	Motor		X	X
12	8105-035-0018	Motor	X		
13	8200-033	Motor Mount Band	X	X	X
14	8200-034	Motor Mount Arms	3	3	3
15	245-1001	Complete Blower Assembly		X	X
15	244-1001	Complete Blower Assembly	X		
16	5060-070	Evaporator Coil	X		
16	5060-082	Evaporator Coil		X	X
17	5625-028	Cooling Distributor	X		
17	5625-029	Cooling Distributor		X	X
18	151-097	Blower Housing	X	X	X
20	104-795	Blower Angles	X	X	X
NS	8406-055	High Pressure Switch	X	X	X

NS Not Shown

CONTROL PANEL



SEXP-303

CONTROL PANEL

Drawing No	Part No.	Description	PH1242	PH1248	PH1248-B
1	8201-069	Heat Pump Control	X	X	X
2	8607-019	Terminal Strip	X	X	X
3	8201-074	Blower Control	X	X	X
5	8201-013	Changeover Relay	X	X	X
6	8401-016	Contactora		X	
6	8401-002	Contactora			X
6	8401-007	Contactora	X		
7	8407-035	Transformer	X	X	X
8	8607-013	Terminal Block	X	X	
8	8607-014	Terminal Block			X
10	116-149	Control Panel Partition	X	X	X
11	116-150	Terminal Block Support	X	X	X
12	116-148	Low Voltage Box	X	X	X
13	516-147	Control Panel	X	X	X
17	8611-006	Ground Terminal		X	X
18	8552-005	Capacitor 10-370			X
18	8552-059	Capacitor 60/10-370	X		
18	8552-056	Capacitor 55/10-440		X	
NS	4098-125	Wiring Diagram	X	X	
NS	4098-212	Wiring Diagram			X
NS	3000-1100	Wire Assembly	X	X	X
NS	3000-1106	Wire Assembly	X	X	X
NS	3000-1108	Wire Assembly	X	X	X

NS Not Shown

