

# REPLACEMENT PARTS MANUAL

## PACKAGED HEAT PUMP MODEL RPMH42, RPMH48, RPMH60

Manual 2110-254

Revision --

Date 10-11-89

Supersedes

\*\*\*\*\*  
\* GENERAL NOTES \*  
\*\*\*\*\*

\*Revised and/or additional pages may be issued from time to time.  
\*A complete and current manual consists of pages dated as shown in the following index.

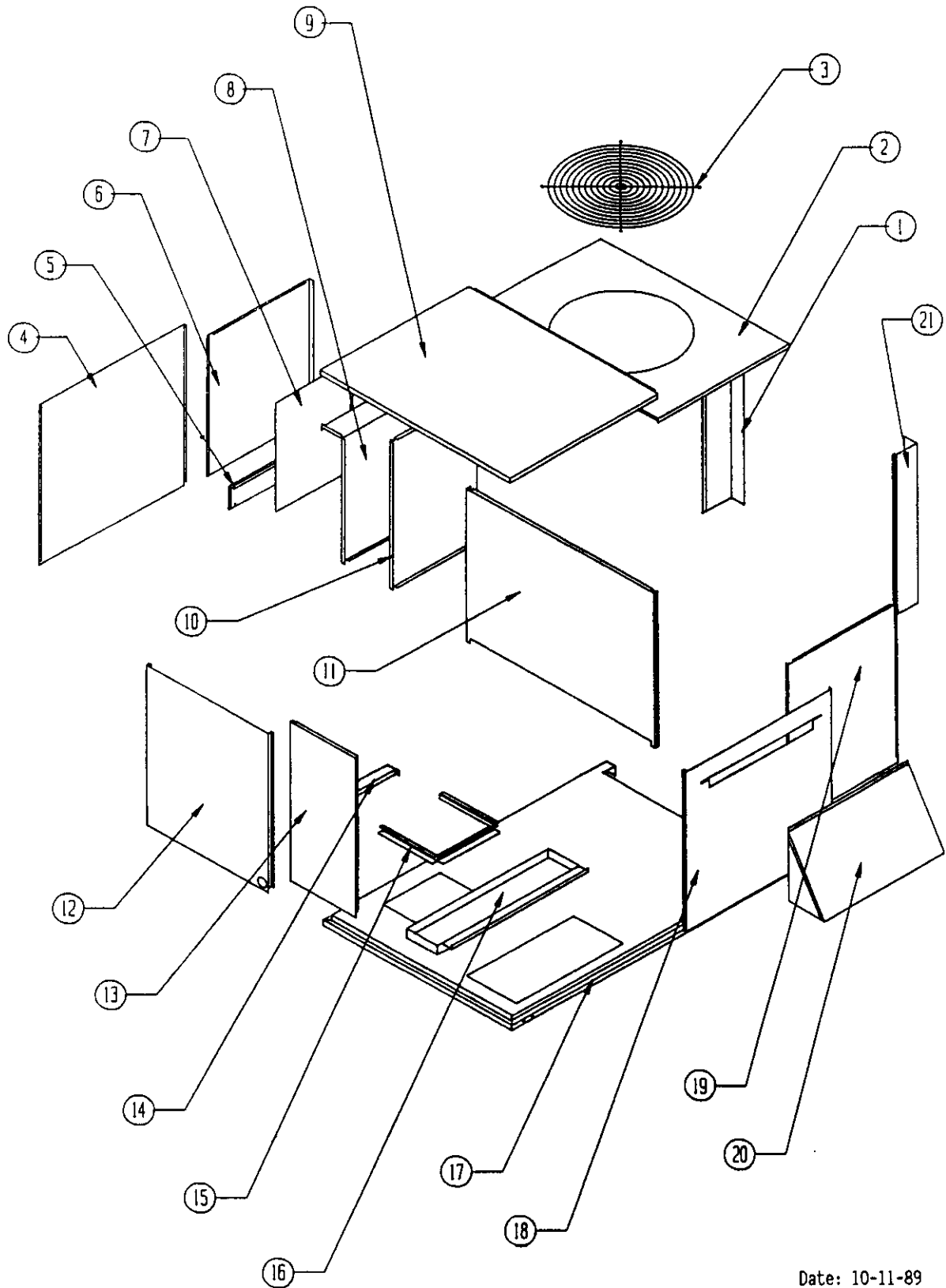
\*\*\*\*\*  
\*\* INDEX \*\*  
\*\*\*\*\*

<u>Page Description</u>	<u>Page</u>	<u>Date</u>	<u>Supersedes</u>
Cabinet Components--Exploded View	1	10-11-89	
" " --Usage List	2	10-11-89	
Functional Components--Exploded View	3	10-11-89	
" " --Usage List	4	10-11-89	
Control Panel--Layout	5	10-11-89	
" " --Usage	6	10-11-89	

\*\*\*\*\*  
\*\*\* IMPORTANT \*\*\*  
\*\*\*\*\*

Contact the installing and/or local Bard distributor for all parts requirements. Make sure you have the complete model and serial number available from the unit rating plate.

CABINET COMPONENTS



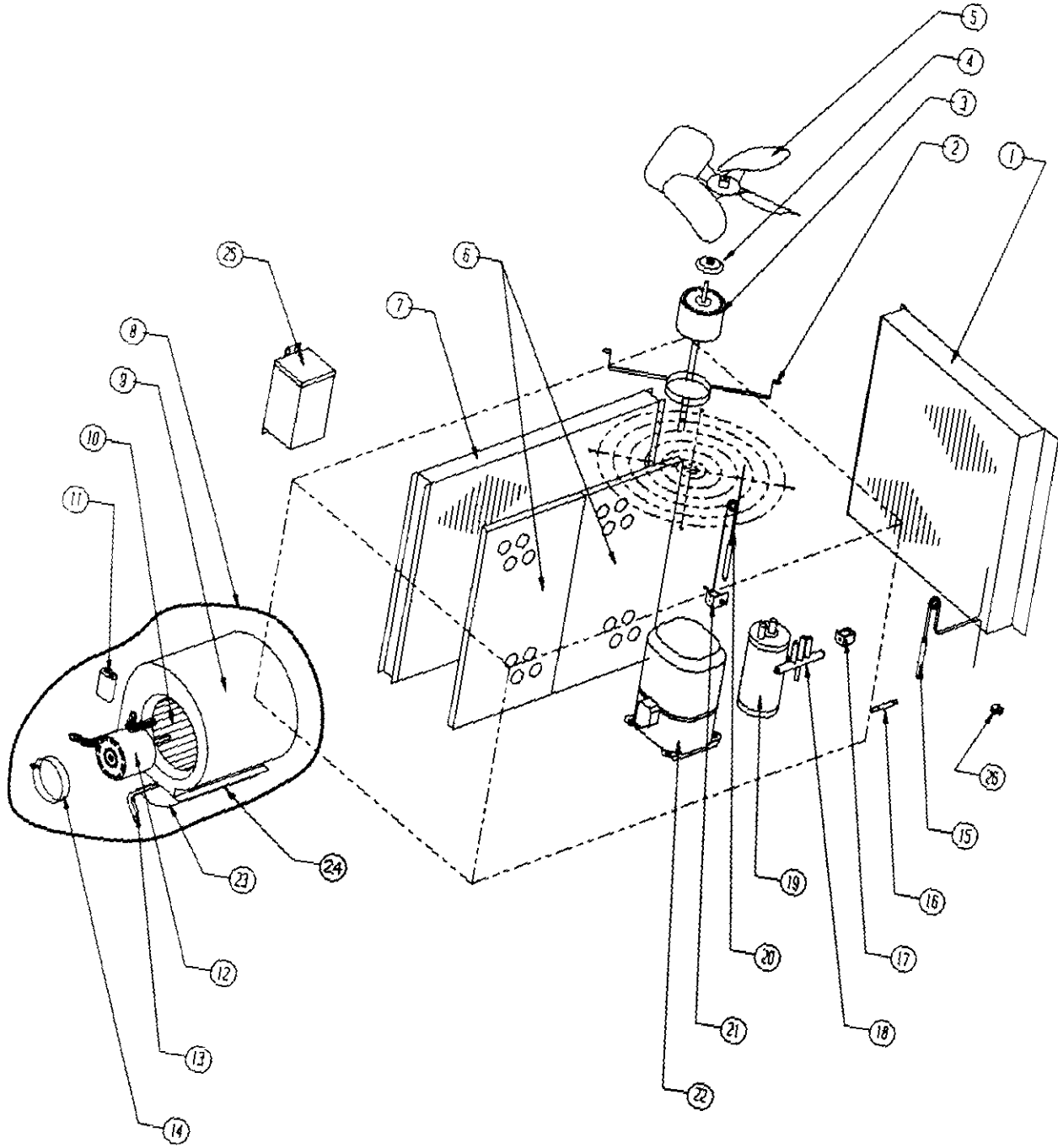
Date: 10-11-89  
Supersedes:

CABINET COMPONENTS

Item	Part No.	Description	U S A G E
1	148-049	Left Rear Corner	X
2	107-080	Top--Condenser Section	X
3	7051-017	Fan Guard	X
4	552-101	Service Door	X
5	156-017	Entrance Panel	X
6	132-048	Control Panel Cover--Outside	X
7	132-052	Control Panel Cover--Inside	X
8	Cntrl Pnl Assembly	See Control Panel Drawing and Parts List	X
9	507-081	Top--Evaporator Section	X
10	134-055	Rain Shield	X
11	521-080	Partition	X
12	515-040	Front	X
13	553-099	Filter Door	X
14	144-084	Blower Slide End	X
15	144-083	Blower Slide	X
16	123-047	Drain Pan	X
17	527-102	Base	X
18	500-141	Right Side	X
19	152-098	Condenser Service Door	X
20	962007	FAD15 Fresh Air Damper	X
21	148-048	Right Rear Corner	X

Date: 10-11-89  
Supersedes:

FUNCTIONAL COMPONENTS



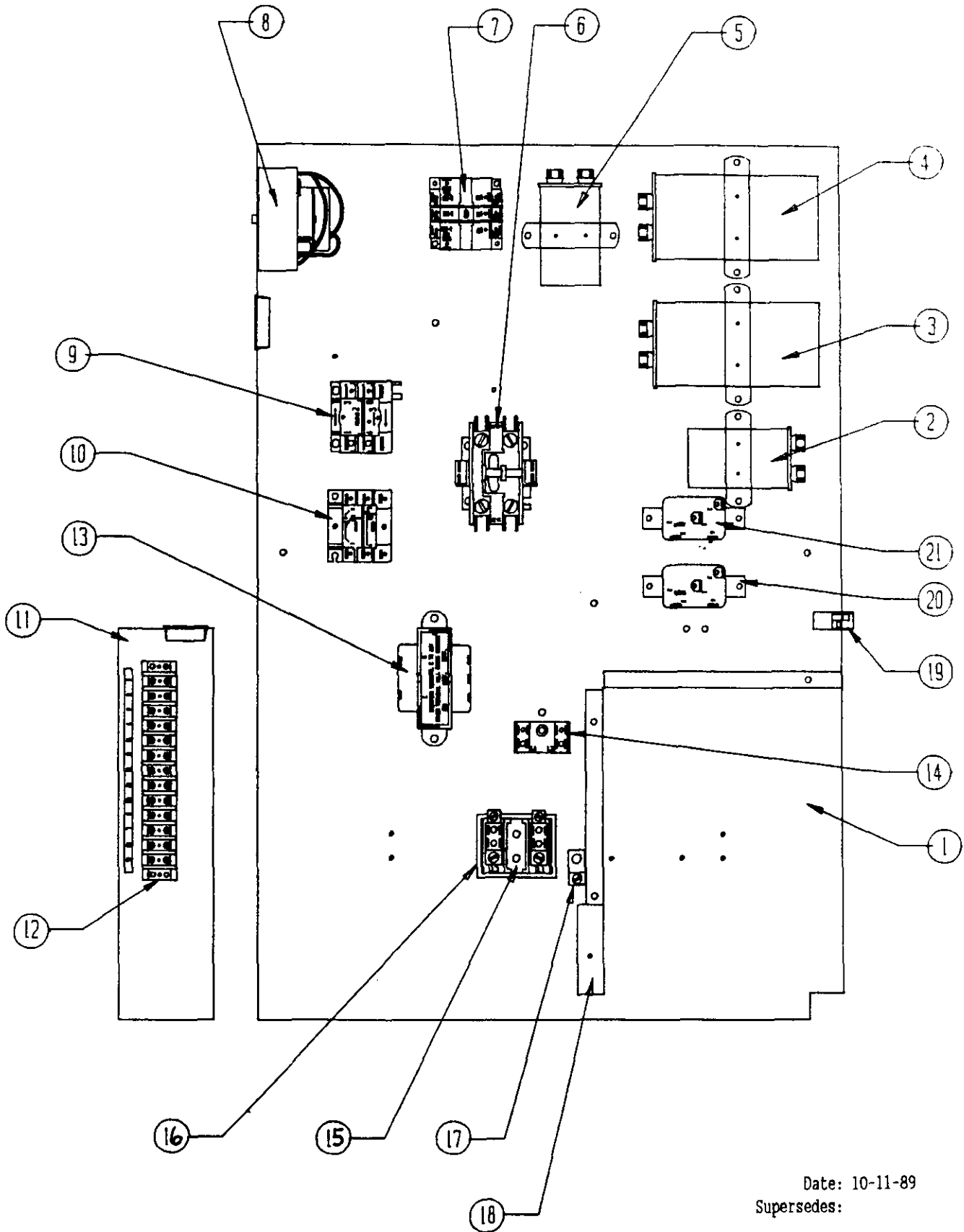
Date: 10-11-89  
Supersedes:

FUNCTIONAL COMPONENTS

Dwg. No.	Part No.	Description	R	R	R	R	R	R	R	R	R	R
			P	P	P	P	P	P	P	P	P	P
			M	M	M	M	M	M	M	M	M	M
			H	H	H	H	H	H	H	H	H	H
			4	4	4	4	4	4	6	6	6	6
			2	2	2	8	8	8	0	0	0	0
				B	C		B	C		B	C	
1	5051-037	Condenser Coil	x	x	x							
1	5051-029	Condenser Coil				x	x	x	x	x	x	
2	8200-027	Fan Motor Mount	x	x	x	x	x	x	x	x	x	
3	8106-021	Motor	x	x	x	x	x	x	x	x	x	
4	5153-022	Rain Shield	x	x	x	x	x	x	x	x	x	
5	5151-026	Fan Blade	x	x	x	x	x	x	x	x	x	
6	7004-014	Filter 16x30x1	2	2	2	2	2	2	2	2	2	
7	5060-029	Evaporator Coil	x	x	x							
7	5060-038	Evaporator Coil				x	x	x	x	x	x	
8	900-129	Complete Blower Assembly	x	x	x	x	x	x				
8	900-148	Complete Blower Assembly							x	x	x	
9	151-079	Blower Housing	x	x	x	x	x	x				
9	151-086	Blower Housing							x	x	x	
10	5152-014	Blower Wheel	x	x	x	x	x	x				
10	5152-049	Blower Wheel							x	x	x	
11	8552-004	Capacitor 7-1/2 / 370	x	x	x	x	x	x				
12	8106-017	Motor	x	x	x	x	x	x				
12	8106-020	Motor							x	x	x	
13	8200-034	Motor Mount Arm	3	3	3	3	3	3	3	3	3	
14	8200-033	Motor Mount Band	x	x	x	x	x	x	x	x	x	
15	800-0016	Heating Capillary Assembly	x	x	x							
15	800-0011	Heating Capillary Assembly				x	x	x				
15	800-0009	Heating Capillary Assembly							x	x	x	
16	5651-036	Check Valve	x	x	x	x	x	x	x	x	x	
17	5650-012	Reversing Valve Solenoid Coil	x	x	x	x	x	x	x	x	x	
18	5650-006	Reversing Valve	x	x	x	x	x	x				
18	5650-010	Reversing Valve							x	x	x	
19	5202-011	Accumulator	x	x	x	x	x	x				
19	5202-017	Accumulator							x	x	x	
20	800-0015	Cooling Capillary Assembly	x	x	x							
20	800-0010	Cooling Capillary Assembly				x	x	x				
20	800-0008	Cooling Capillary Assembly							x	x	x	
21	8406-022	High Pressure Switch	x	x	x	x	x	x	x	x	x	
22	8000-072	Compressor	x									
22	8000-088	Compressor		x								
22	8000-089	Compressor			x							
22	8000-081	Compressor				x						
22	8000-082	Compressor					x					
22	8000-083	Compressor						x				
22	8000-074	Compressor							x			
22	8000-075	Compressor								x		
22	8000-049	Compressor									x	
23	144-128	Diffuser	x	x	x	x	x	x				
23	144-129	Diffuser							x	x	x	
24	104-801	Blower Angle	x	x	x	x	x	x				
25	8407-004	Transformer 460V			x			x				x
26	8408-016	Defrost Thermostat	x	x	x	x	x	x	x	x	x	

Date: 10-11-89  
Supersedes:

CONTROL PANEL



Date: 10-11-89  
Supersedes:

CONTROL PANEL

Dwg. No.	Part No.	Description	R	R	R	R	R	R	R	R	R
			P	P	P	P	P	P	P	P	P
			M	M	M	M	M	M	M	M	M
			H	H	H	H	H	H	H	H	H
			4	4	4	4	4	4	6	6	6
			2	2	2	8	8	8	0	0	0
				B	C	B	C		B	C	
1	116-087	Control Panel	X	X	X	X	X	X	X	X	X
2	8552-026	Capacitor 15/370							X	X	X
3	8552-043	Capacitor 45/370							X		
4	8552-043	Capacitor 45/370							X		
4	8552-030	Capacitor 40/440	X			X					
5	8552-026	Capacitor 15/370	X	X	X	X	X	X	X	X	X
6	8401-007	Contactora	X								
6	8401-002	Contactora		X	X		X	X			X
6	8401-003	Contactora				X					
6	8401-016	Contactora							X		
6	8401-011	Contactora								X	
7	8201-047	Defrost Relay	X	X	X	X	X	X	X	X	X
8	8612-012	Timer	X	X	X	X	X	X	X	X	X
9	8201-024	Compressor Fault Relay	X			X			X		
10	8201-013	Emergency Heat Relay	X	X	X	X	X	X	X	X	X
11	116-086	Low Voltage Box	X	X	X	X	X	X	X	X	X
12	8607-010	Terminal Strip	X	X	X	X	X	X	X	X	X
13	8407-035	Transformer	X	X	X	X	X	X	X	X	X
14	8607-017	Terminal Block			X			X			X
15	8607-013	Terminal Block	X			X			X		
15	8607-014	Terminal Block		X	X		X	X		X	X
16	8607-015	Phenolic Insulator			X			X			X
17	8611-006	Ground Terminal	X	X	X	X	X	X	X	X	X
18	116-085	Control Panel Partition	X	X	X	X	X	X	X	X	X
19	3000-905	Wire Assembly	X	X	X	X	X	X	X	X	X
20	8201-008	Blower Relay			X			X			X
21	8201-008	Blower Relay	X	X	X	X	X	X	X	X	X
	4076-110	Wiring Diagram	X								
	4076-120	Wiring Diagram				X					
	4076-130	Wiring Diagram							X		
	4076-210	Wiring Diagram		X							
	4076-220	Wiring Diagram					X				
	4076-230	Wiring Diagram								X	
	4076-310	Wiring Diagram			X						
	4076-320	Wiring Diagram						X			
	4076-330	Wiring Diagram									X

Date: 10-11-89  
Supersedes:

